

US00D891823S

(12) **United States Design Patent** (10) **Patent No.:** **US D891,823 S**
Li (45) **Date of Patent:** **** Aug. 4, 2020**

(54) **DESK**
(71) Applicant: **39F USA INC**, Rancho Cucamonga, CA (US)
(72) Inventor: **Yuehai Li**, Rancho Cucamonga, CA (US)
(**) Term: **15 Years**
(21) Appl. No.: **29/697,412**
(22) Filed: **Jul. 8, 2019**
(51) **LOC (12) Cl.** **06-03**
(52) **U.S. Cl.**
USPC **D6/648.3**
(58) **Field of Classification Search**
USPC D6/329, 641, 643, 643.1, 644, 646, 648, D6/648.1, 648.2, 648.3, 654, 654.1, D6/654.17, 654.18, 654.21
CPC .. A47B 7/00; A47B 9/00; A47B 13/00; A47B 13/02; A47B 13/04; A47B 13/06; A47B 13/08; A47B 17/00; A47B 19/00; A47B 21/00
See application file for complete search history.

D547,972 S * 8/2007 Pflaster D6/655.18
D581,695 S * 12/2008 Martin D6/648.2
D627,577 S * 11/2010 Joh D6/648.1
D631,675 S * 2/2011 Russler D6/642
8,926,029 B2 * 1/2015 Han F16M 11/046
312/108
D723,306 S * 3/2015 Kielwasser D6/645
D730,086 S * 5/2015 Kitada D6/643
D780,486 S * 3/2017 Arthur D6/641
D790,882 S * 7/2017 Arthur D6/648
D798,084 S * 9/2017 Acuff D6/641
D798,085 S * 9/2017 Arthur D6/648
D826,599 S * 8/2018 Jahns D6/654.1
D880,905 S * 4/2020 Huang D6/648

(Continued)

OTHER PUBLICATIONS

“Monarch Specialties Workstation.” Found online Jun. 10, 2020 at www.amazon.com. Product first available Aug. 7, 2018. Retrieved from URL: https://tinyurl.com/ydbocept (Year: 2018).*

(Continued)

Primary Examiner — Mary Ann Calabrese
Assistant Examiner — Katelin G Kloberg
(74) *Attorney, Agent, or Firm* — Feng Qian

(57) **CLAIM**

The ornamental design for a desk, as shown and described.

DESCRIPTION

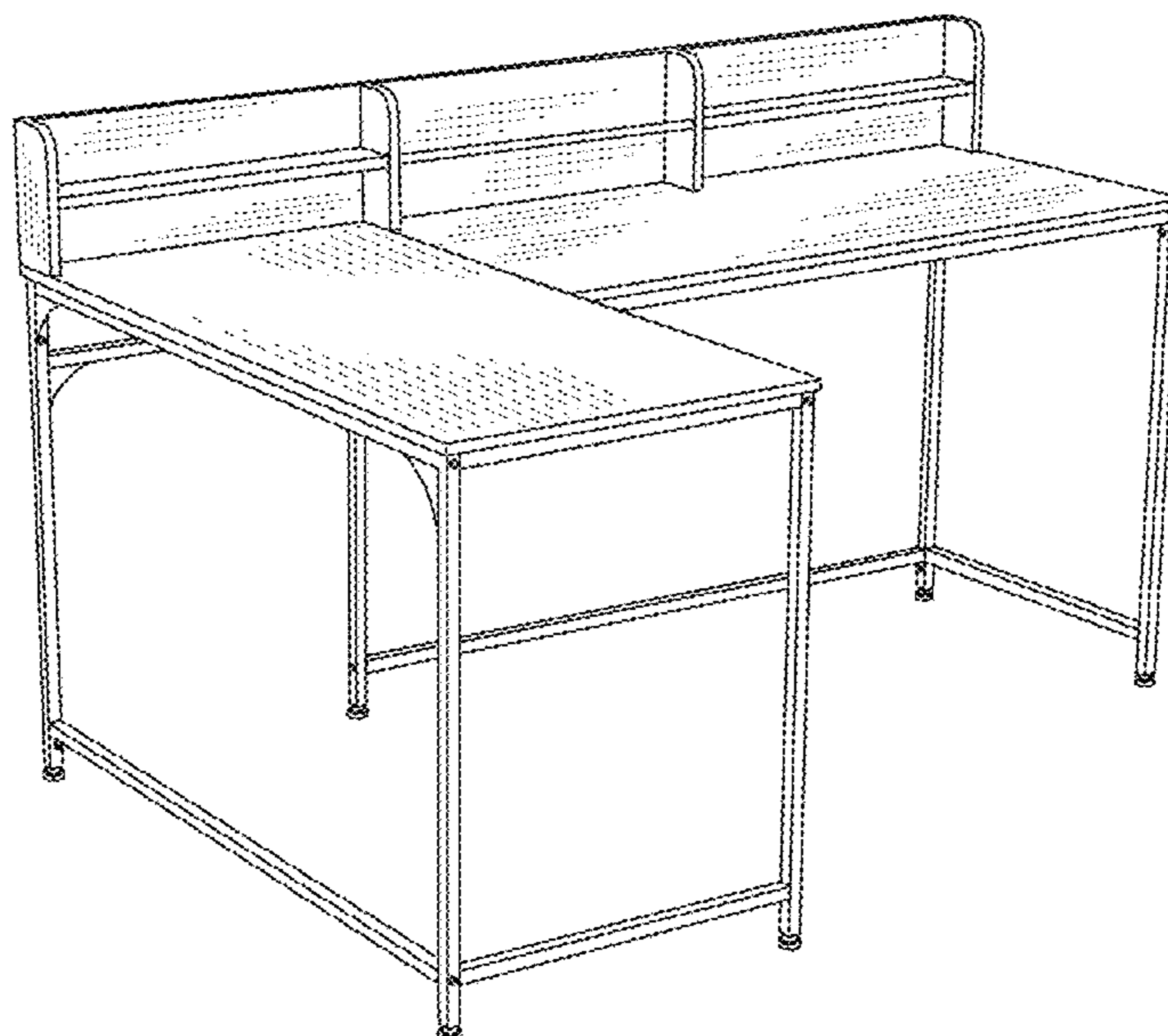
FIG. 1 is a front perspective view of a desk showing my new design;
FIG. 2 is a front elevation view thereof;
FIG. 3 is a rear elevation view thereof;
FIG. 4 is a left-side elevation view thereof;
FIG. 5 is a right-side elevation view thereof;
FIG. 6 is a top plan view thereof; and,
FIG. 7 is a rear plan view thereof.

1 Claim, 7 Drawing Sheets

(56) **References Cited**

U.S. PATENT DOCUMENTS

D63,283 S * 11/1923 Cameron D6/654.1
D236,571 S * 9/1975 Seiserson D6/653.14
D251,526 S * 4/1979 Zapf D6/648.3
D252,820 S * 9/1979 Olson D24/185
D283,094 S * 3/1986 Strand D6/654
D335,591 S * 5/1993 Lechman D6/648.2
D368,388 S * 4/1996 Schainholz D6/644
D371,015 S * 6/1996 Walters, III D6/646
D405,982 S * 2/1999 Newhouse D6/648.3
D427,804 S * 7/2000 Olson D6/653
D471,030 S * 3/2003 Chang D6/648.2
D539,568 S * 4/2007 Vander Park D6/648
D546,503 S * 7/2007 Kreiss D6/653



(56)

References Cited

U.S. PATENT DOCUMENTS

D882,300 S * 4/2020 Li D6/648.4

OTHER PUBLICATIONS

“Tribesigns 67-inch Large Computer Desk with Hutch.” Found online Jun. 10, 2020 at www.amazon.com. Product first available Jun. 3, 2020. Retrieved from URL: <https://tinyurl.com/y7856fad> (Year: 2020).*

“Lazyin L-Shaped Desk.” Found online Jun. 10, 2020 at www.amazon.com. Product first available May 30, 2020. Retrieved from URL: <https://tinyurl.com/ycldj614> (Year: 2020).*

* cited by examiner

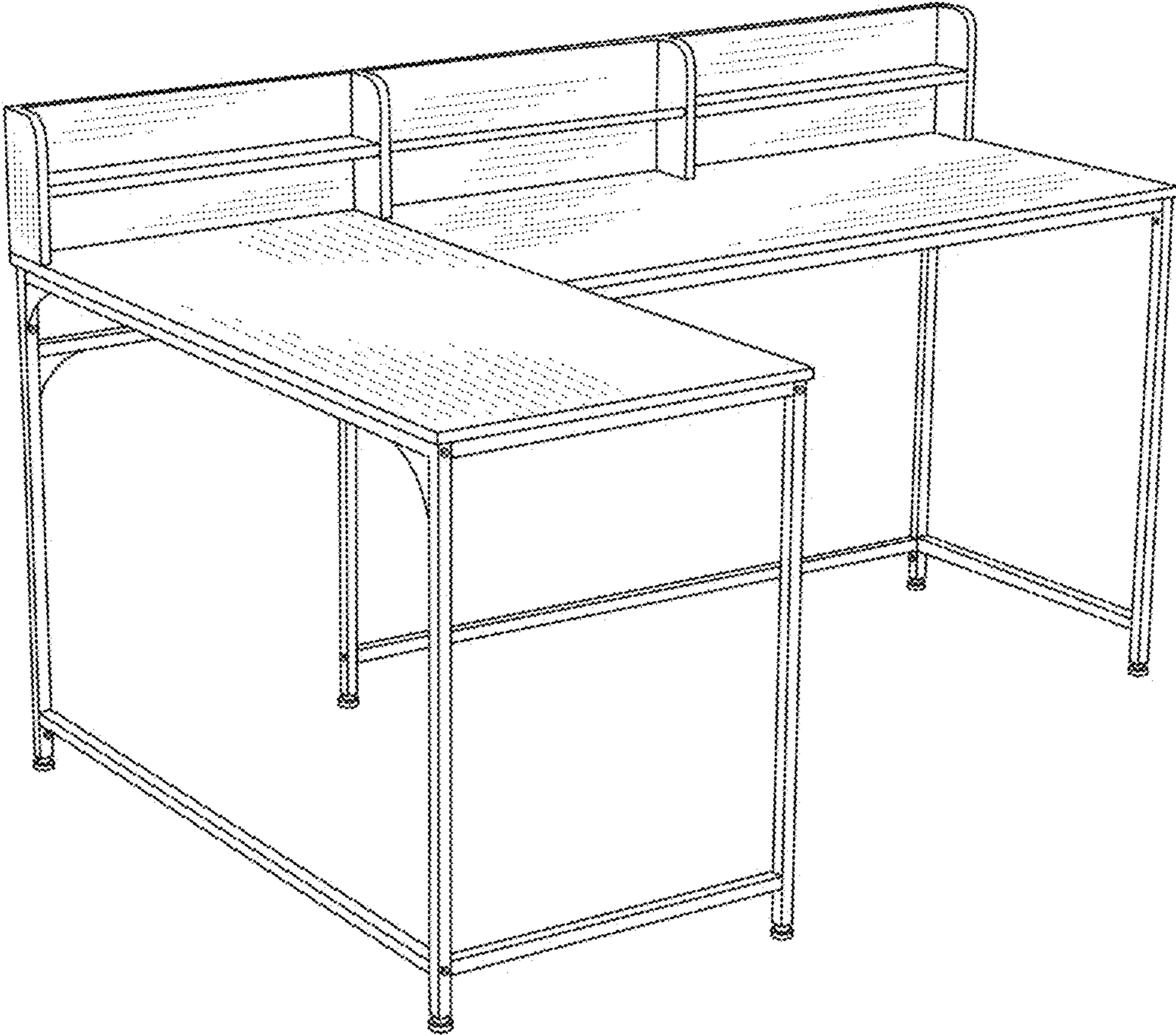


Fig.1

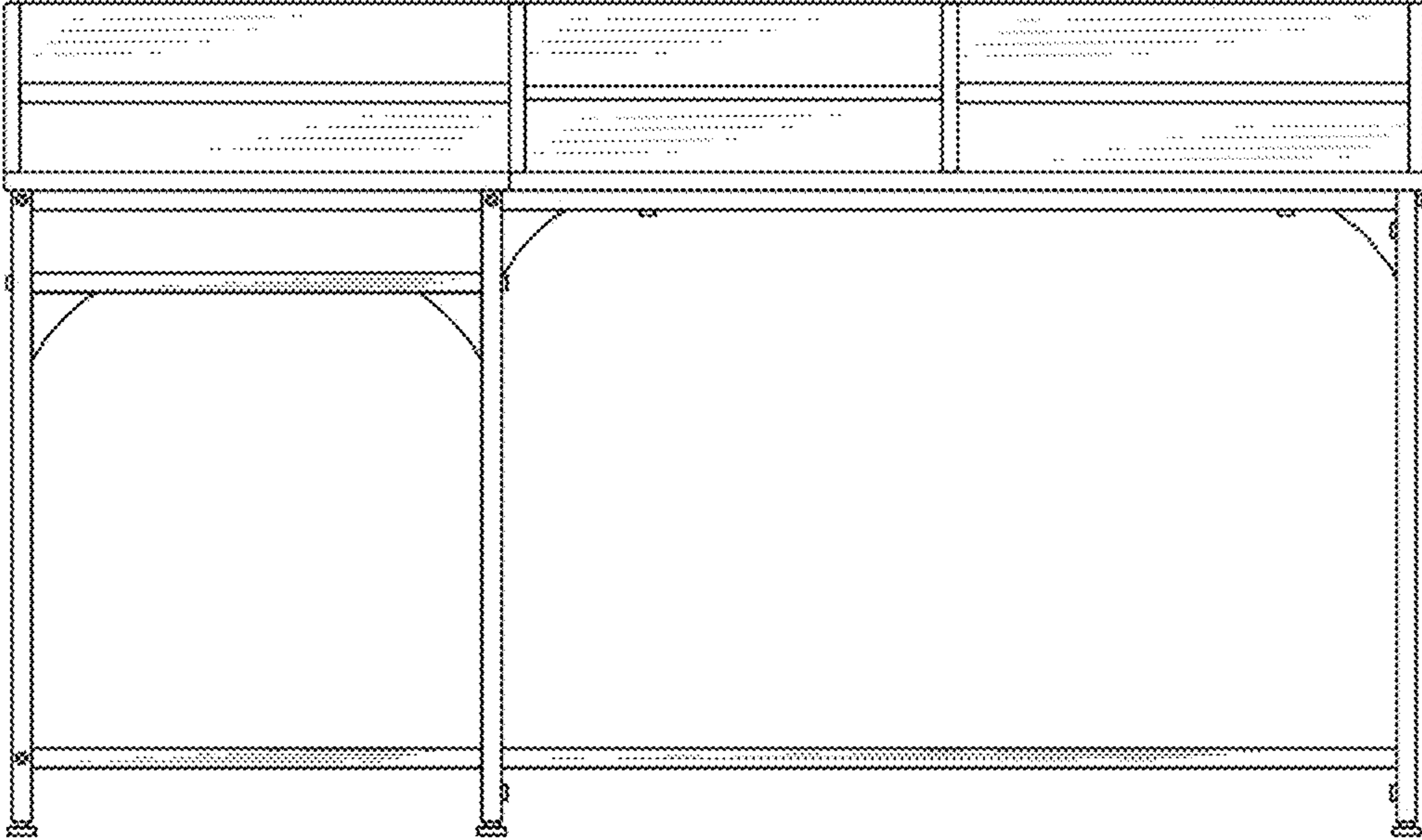


Fig.2

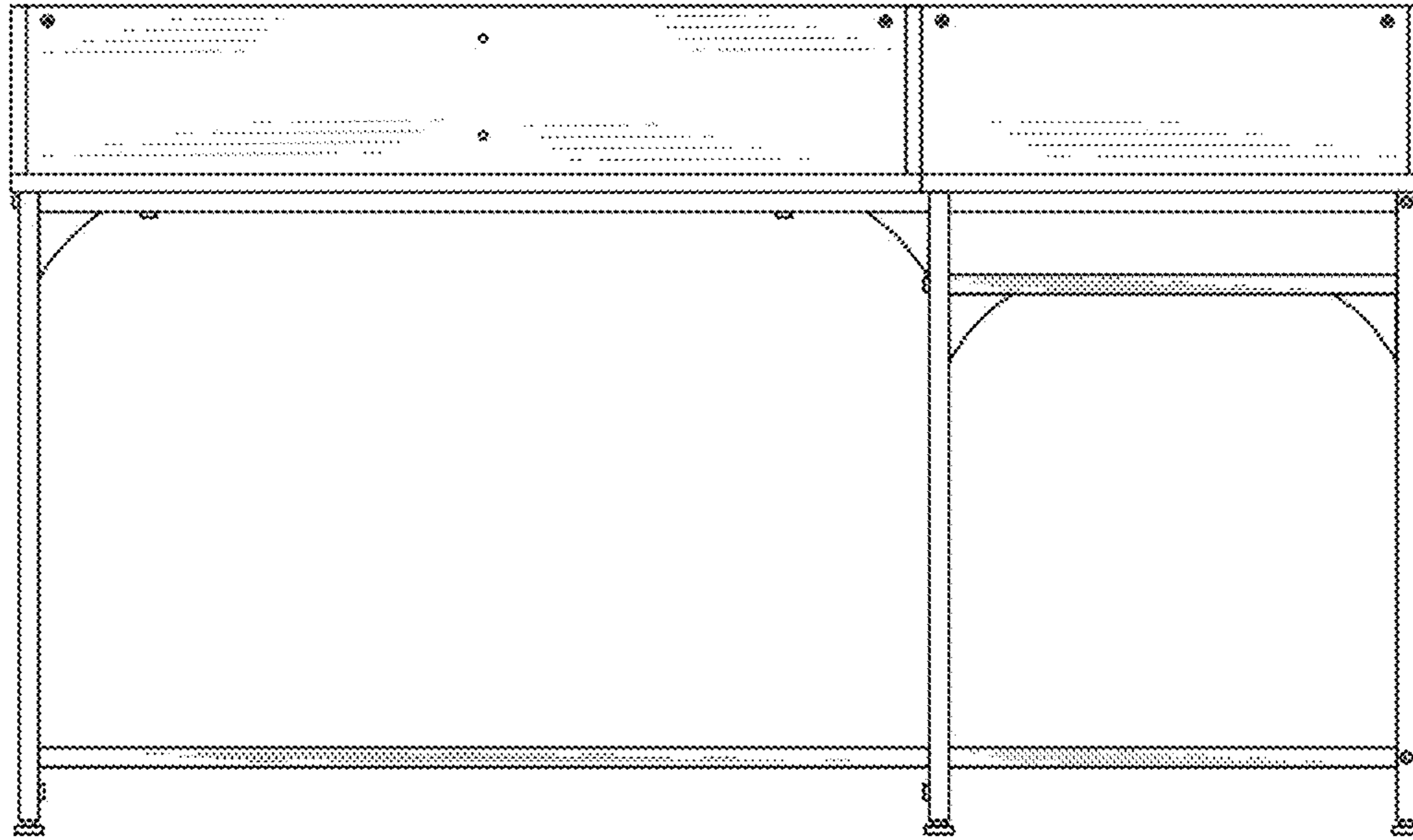


Fig.3

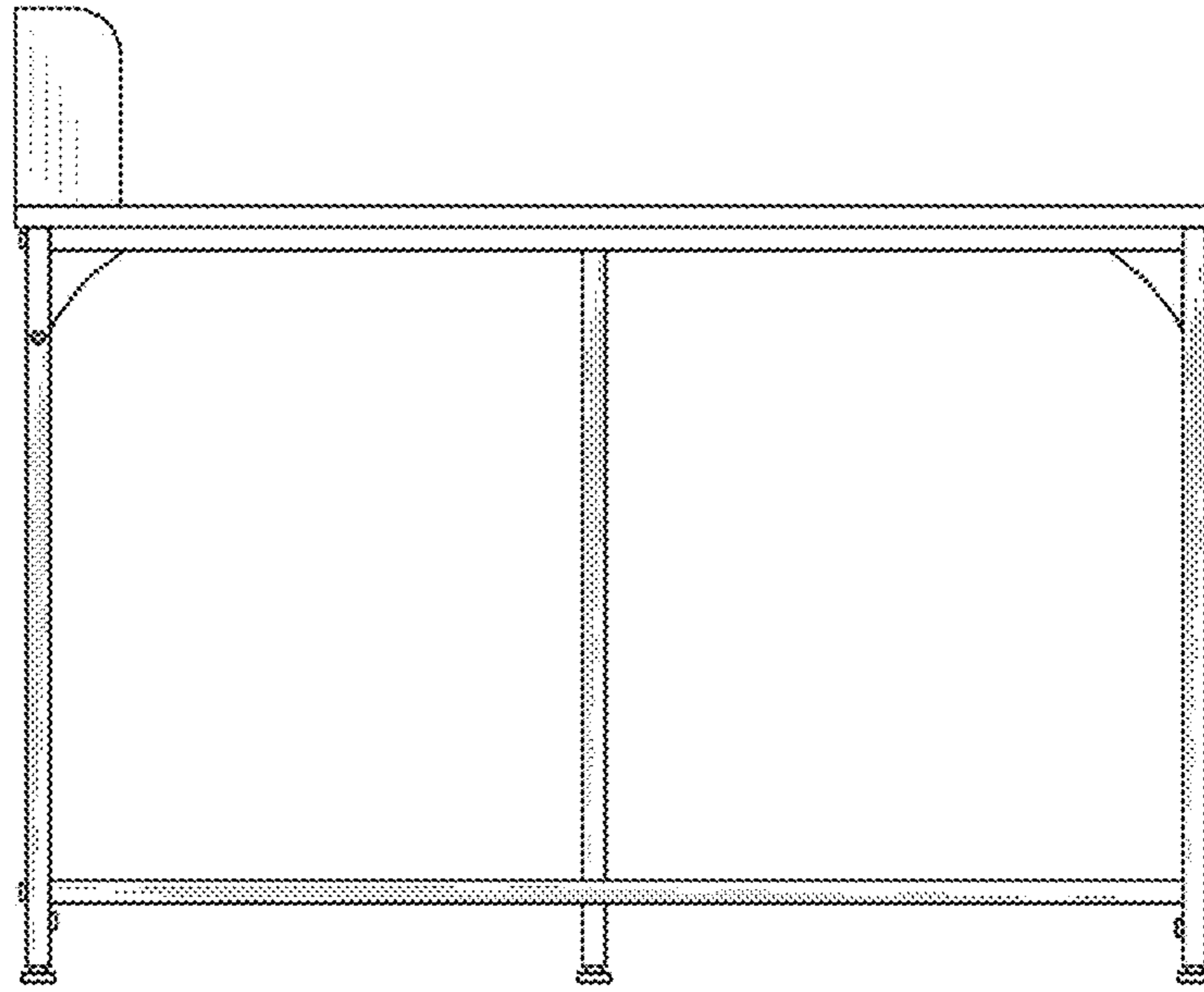


Fig.4

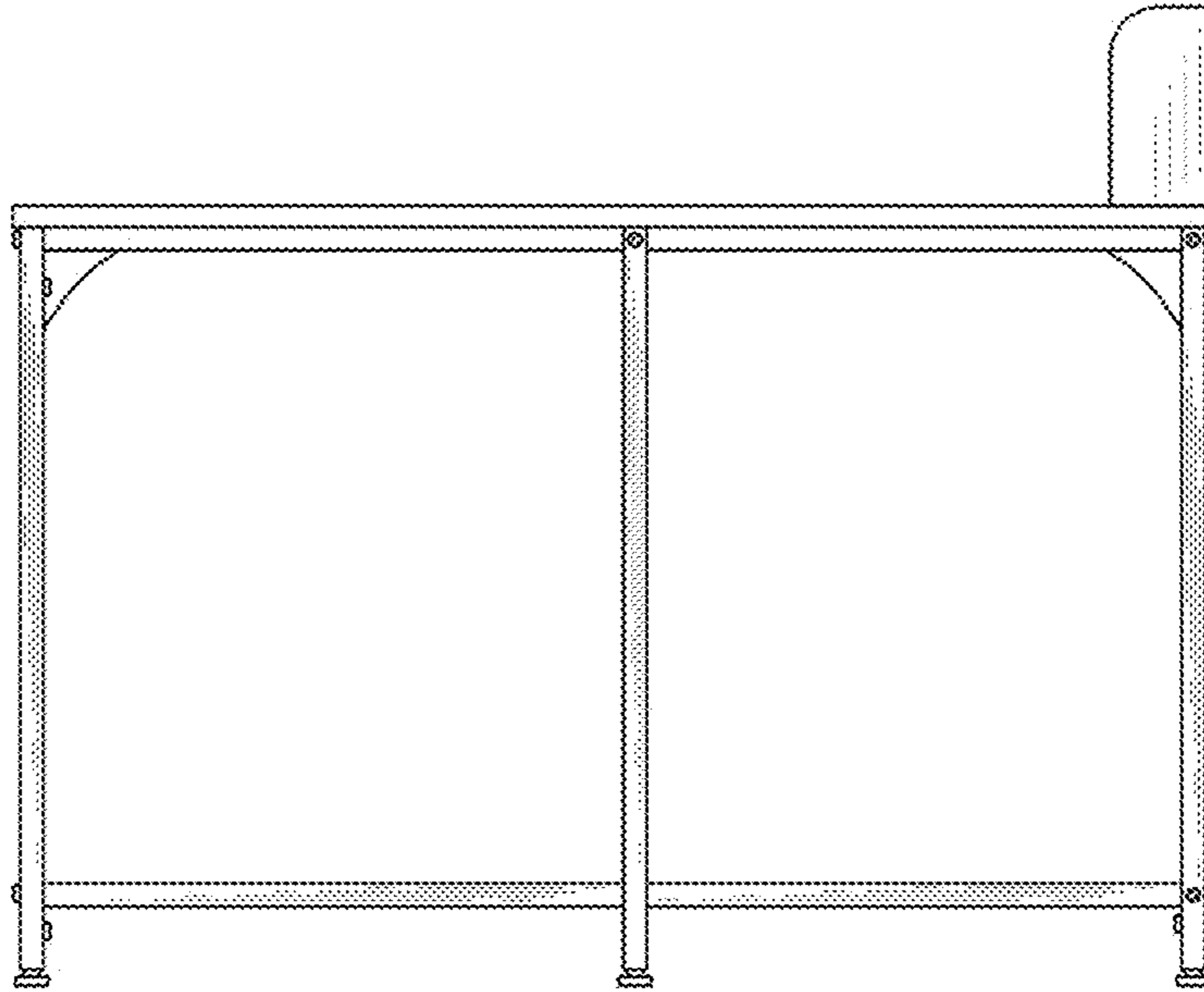


Fig.5

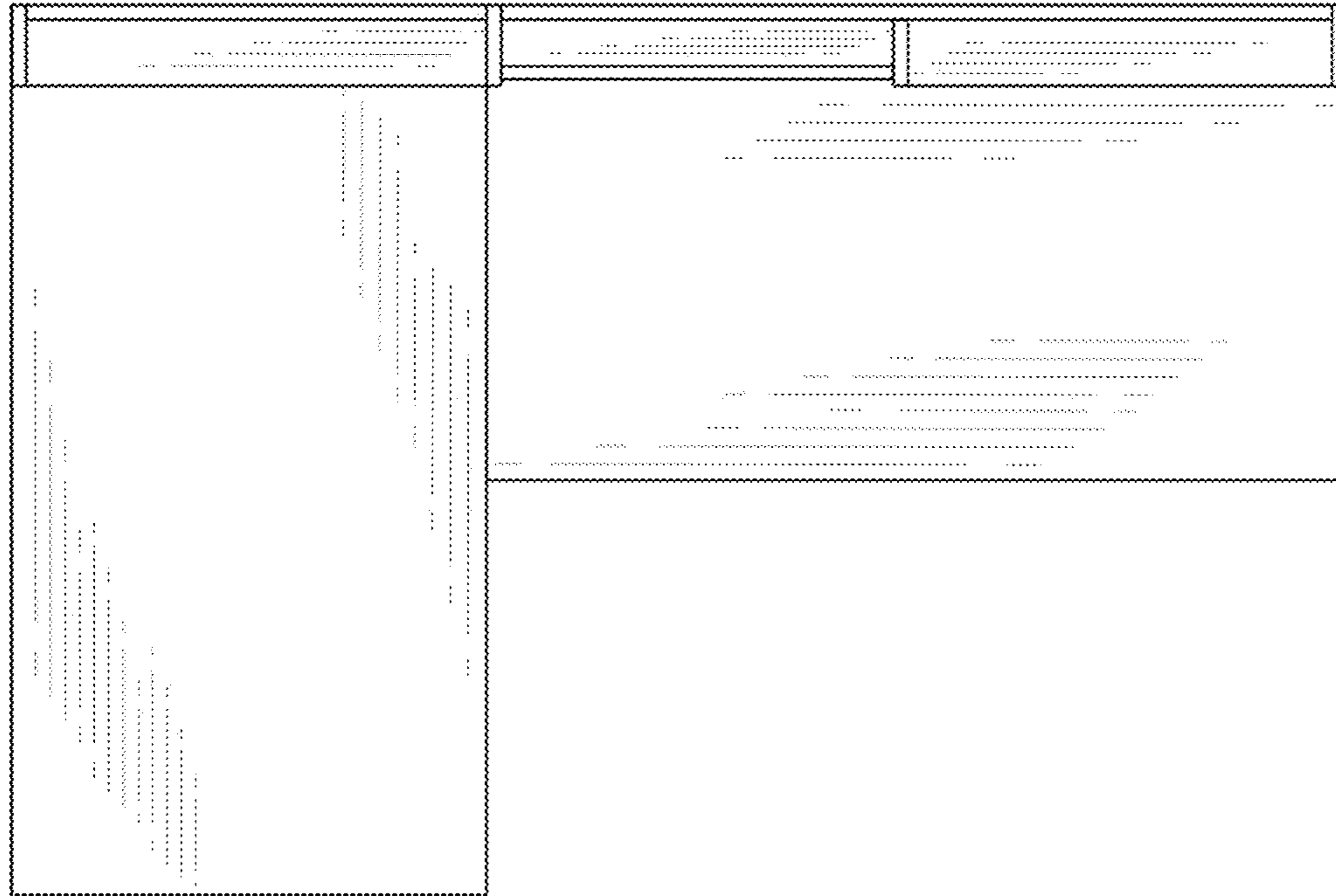


Fig.6

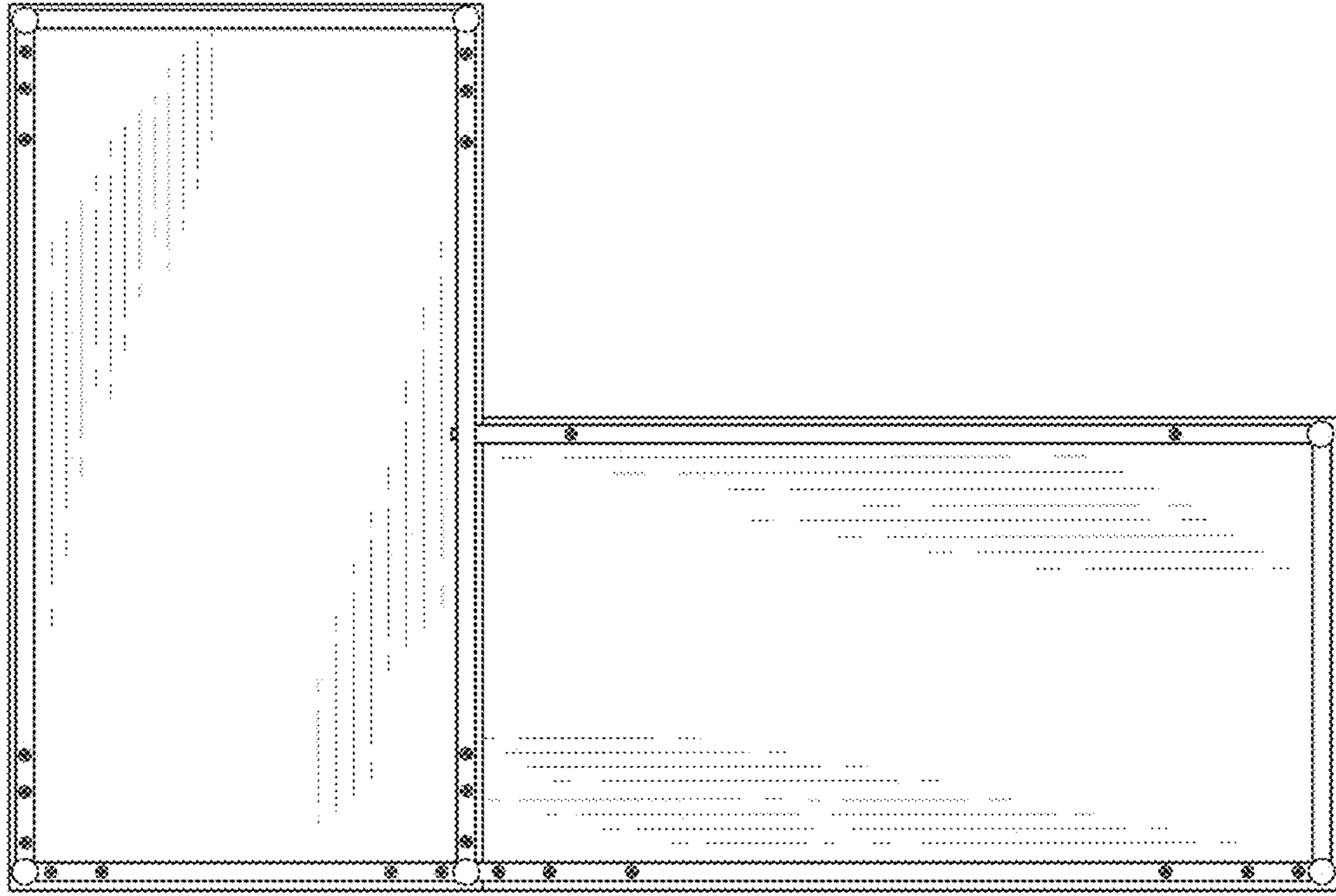


Fig.7