



US00D891821S

(12) **United States Design Patent** (10) **Patent No.:** **US D891,821 S**
Li (45) **Date of Patent:** **** Aug. 4, 2020**

- (54) **DESK**
- (71) Applicant: **39F USA INC**, Rancho Cucamonga, CA (US)
- (72) Inventor: **Yuehai Li**, Rancho Cucamonga, CA (US)
- (**) Term: **15 Years**
- (21) Appl. No.: **29/697,411**
- (22) Filed: **Jul. 8, 2019**
- (51) **LOC (12) Cl.** **06-03**
- (52) **U.S. Cl.**
USPC **D6/648.2**
- (58) **Field of Classification Search**
USPC D6/329, 641, 643, 643.1, 644, 646, 648, D6/648.1, 648.2, 648.3, 654, 654.1, D6/654.17, 654.18, 654.21
CPC .. A47B 7/00; A47B 9/00; A47B 13/00; A47B 13/02; A47B 13/04; A47B 13/06; A47B 13/08; A47B 17/00; A47B 19/00; A47B 21/00

See application file for complete search history.

(56) **References Cited**

U.S. PATENT DOCUMENTS

D63,283	S	*	11/1923	Cameron	D6/654.1
D236,571	S	*	9/1975	Seierson	D6/653.14
D251,526	S	*	4/1979	Zapf	D6/648.3
D252,820	S	*	9/1979	Olson	D24/185
D283,094	S	*	3/1986	Strand	D6/654
D335,591	S	*	5/1993	Lechman	D6/648.2
D368,388	S	*	4/1996	Schainholz	D6/644
D371,015	S	*	6/1996	Walters, III	D6/646
D405,982	S	*	2/1999	Newhouse	D6/648.3
D427,804	S	*	7/2000	Olson	D6/653
D471,030	S	*	3/2003	Chang	D6/648.2
D539,568	S	*	4/2007	Vander Park	D6/648

D546,503	S	*	7/2007	Kreiss	D6/653
D547,972	S	*	8/2007	Pflaster	D6/655.18
D581,695	S	*	12/2008	Martin	D6/648.2
D627,577	S	*	11/2010	Joh	D6/648.1
D631,675	S	*	2/2011	Russler	D6/642
8,926,029	B2	*	1/2015	Han		
D723,306	S	*	3/2015	Kielwasser	D6/645
D730,086	S	*	5/2015	Kitada	D6/643
D780,486	S	*	3/2017	Arthur	D6/641
D790,882	S	*	7/2017	Arthur	D6/648
D798,084	S	*	9/2017	Acuff	D6/641
D798,085	S	*	9/2017	Arthur	D6/648
D826,599	S	*	8/2018	Jahns	D6/654.1
D880,905	S	*	4/2020	Huang	D6/648
D882,300	S	*	4/2020	Li	D6/648.4

OTHER PUBLICATIONS

“Monarch Specialties Workstation.” Found online Jun. 10, 2020 at www.amazon.com. Product first available Aug. 7, 2018. Retrieved from URL: <https://tinyurl.com/ydbocept> (Year: 2018).*

(Continued)

Primary Examiner — Mary Ann Calabrese
Assistant Examiner — Katelin G Kloberg
(74) *Attorney, Agent, or Firm* — Feng Qian

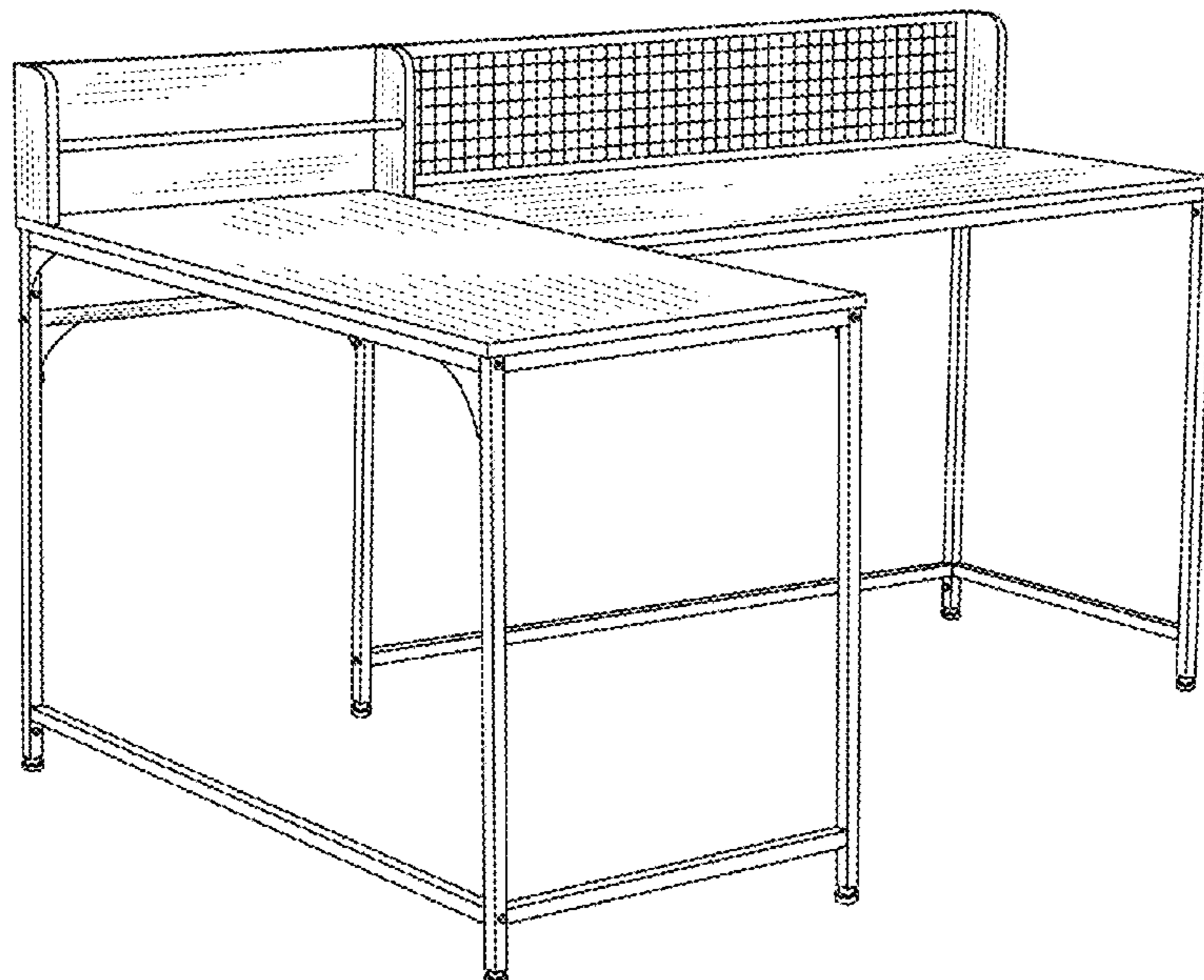
(57) **CLAIM**

The ornamental design for a desk, as shown and described.

DESCRIPTION

FIG. 1 is a front perspective view of a desk showing my new design;
FIG. 2 is a front elevation view thereof;
FIG. 3 is a rear elevation view thereof;
FIG. 4 is a left-side elevation view thereof;
FIG. 5 is a right-side elevation view thereof;
FIG. 6 is a top plan view thereof; and,
FIG. 7 is a rear plan view thereof.

1 Claim, 7 Drawing Sheets



(56)

References Cited

OTHER PUBLICATIONS

“Tribesigns 67-inch Large Computer Desk with Hutch.” Found online Jun. 10, 2020 at www.amazon.com. Product first available Jun. 3, 2020. Retrieved from URL: <https://tinyurl.com/y7856fad> (Year: 2020).*

“Lazyin L-Shaped Desk.” Found online Jun. 10, 2020 at www.amazon.com. Product first available May 30, 2020. Retrieved from URL: <https://tinyurl.com/ycldj614> (Year: 2020).*

* cited by examiner

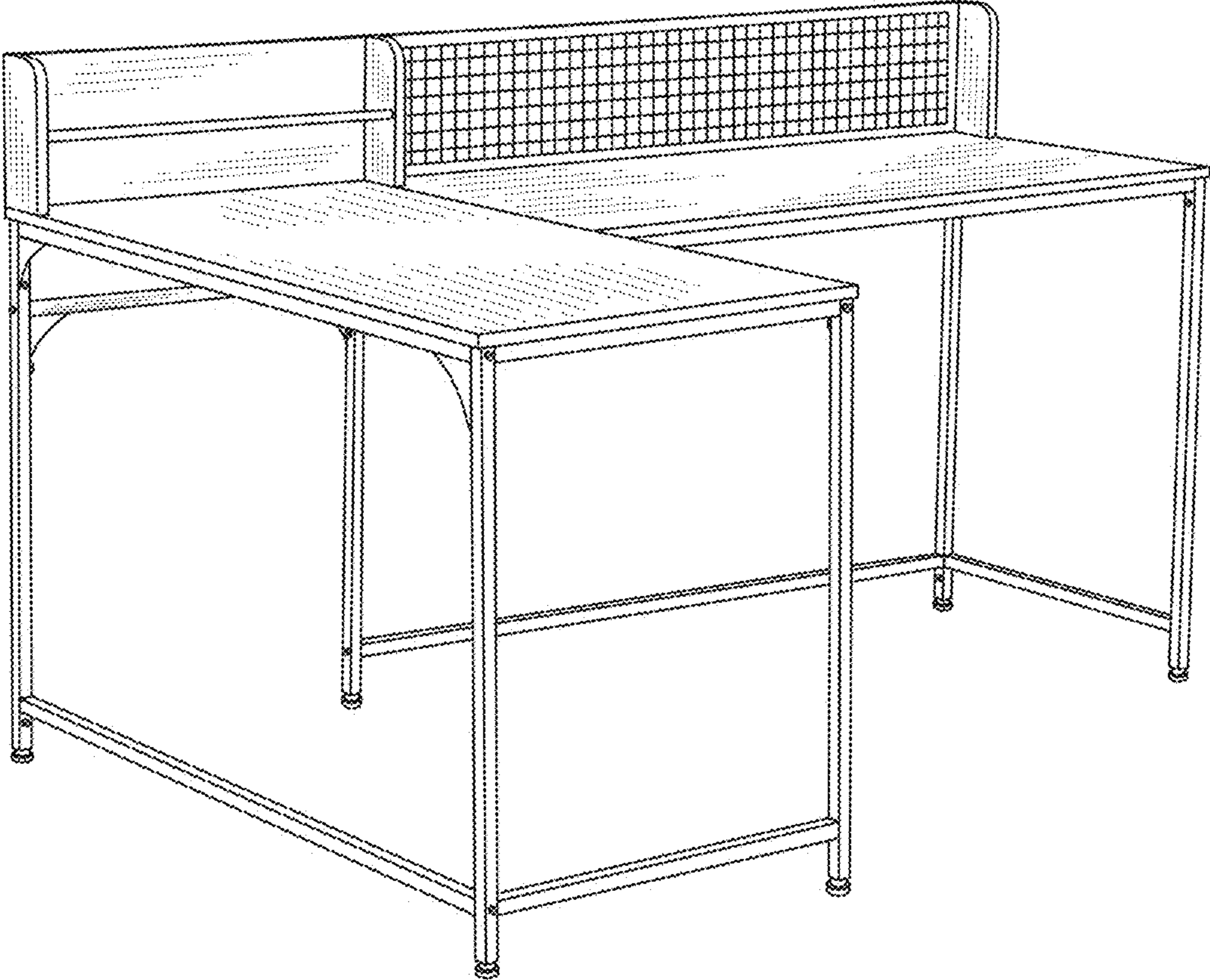


Fig.1

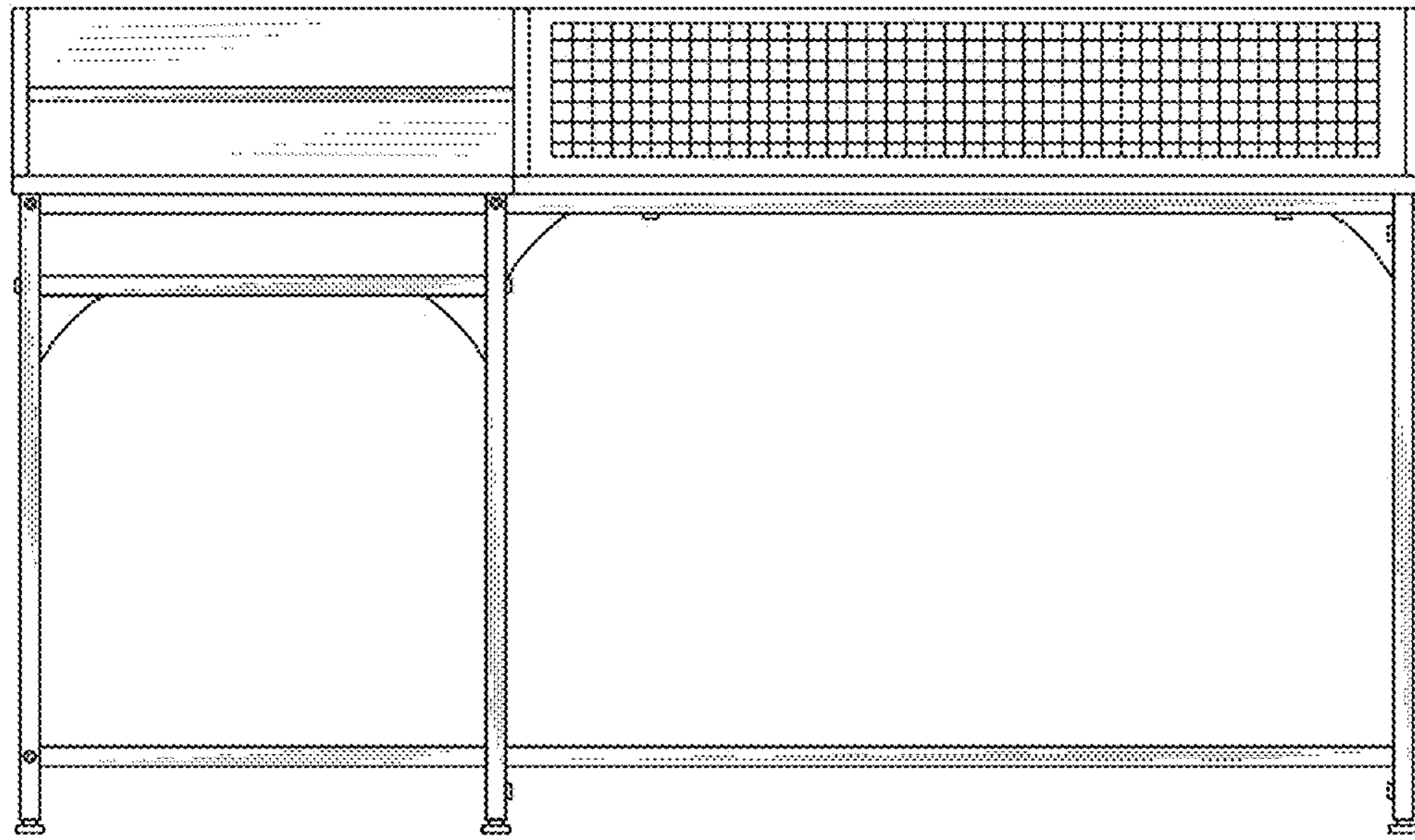


Fig.2

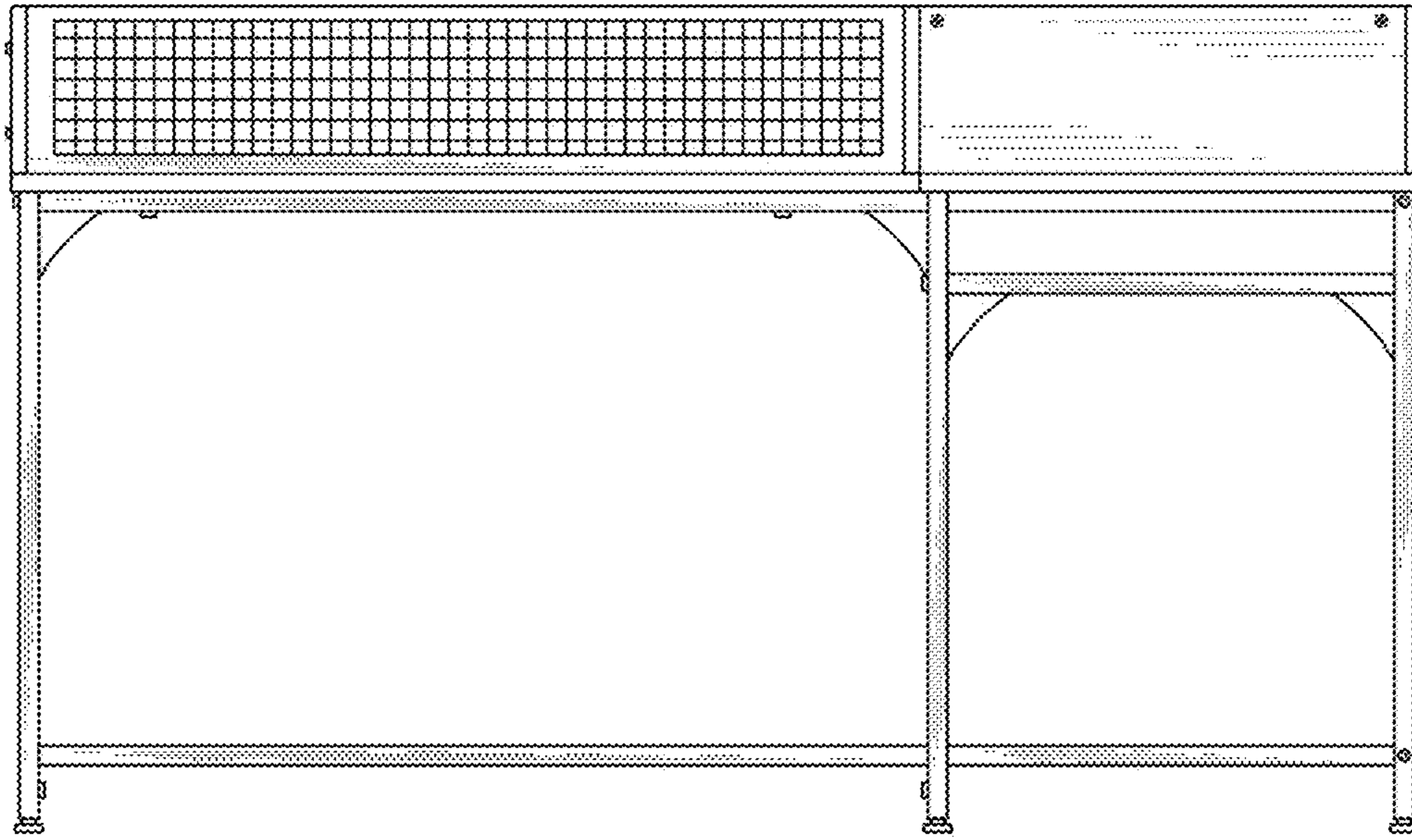


Fig.3

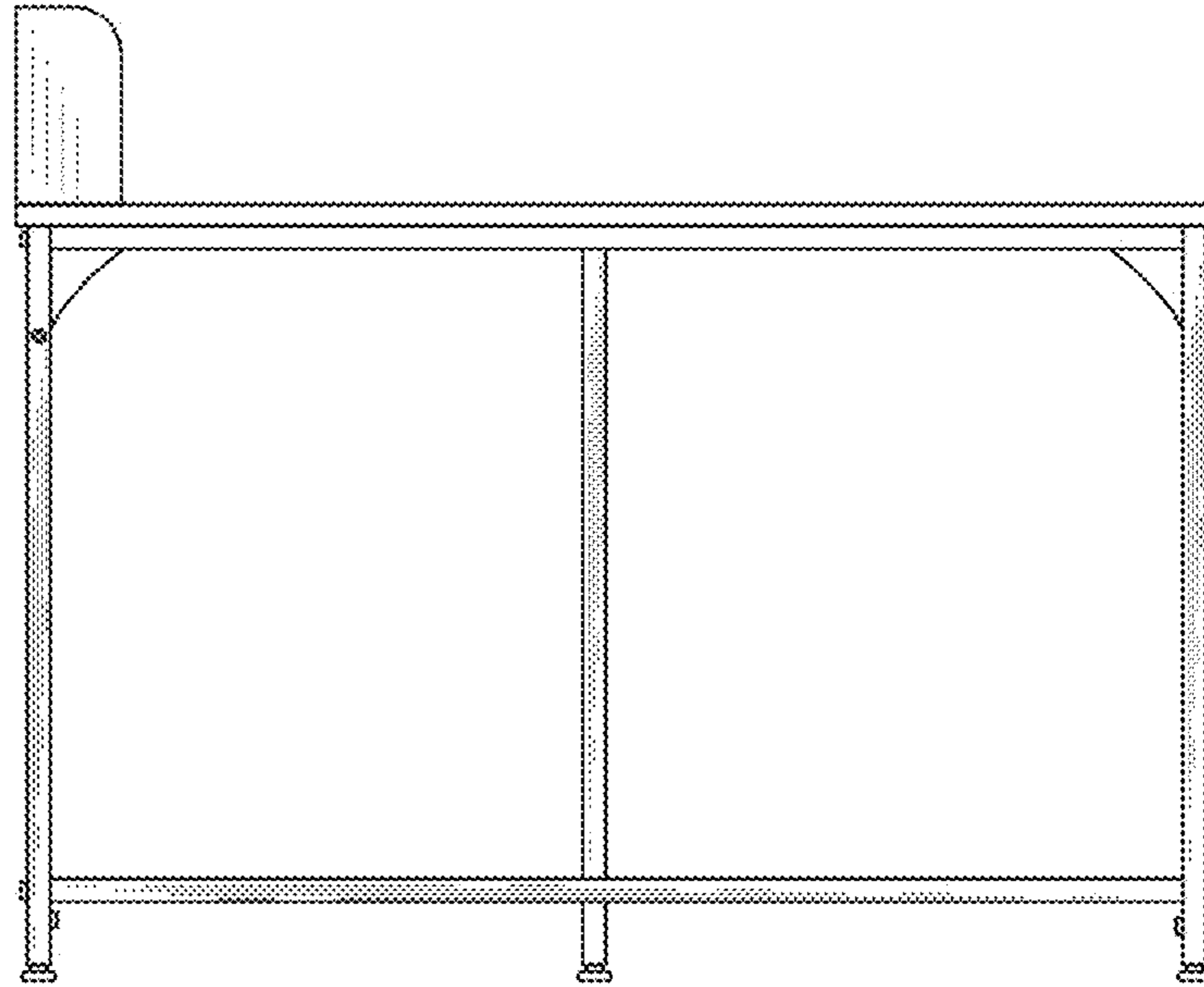


Fig.4

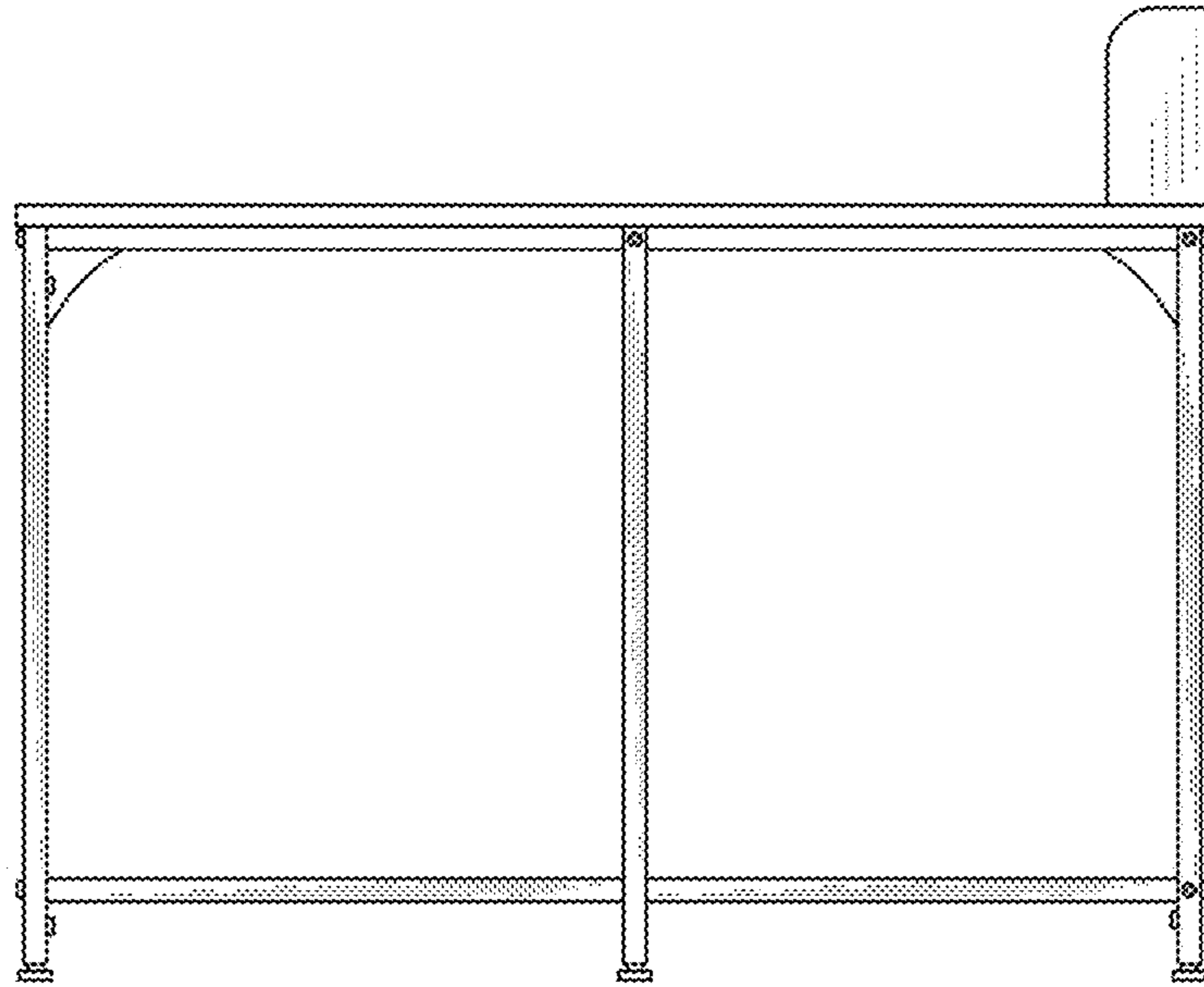


Fig.5

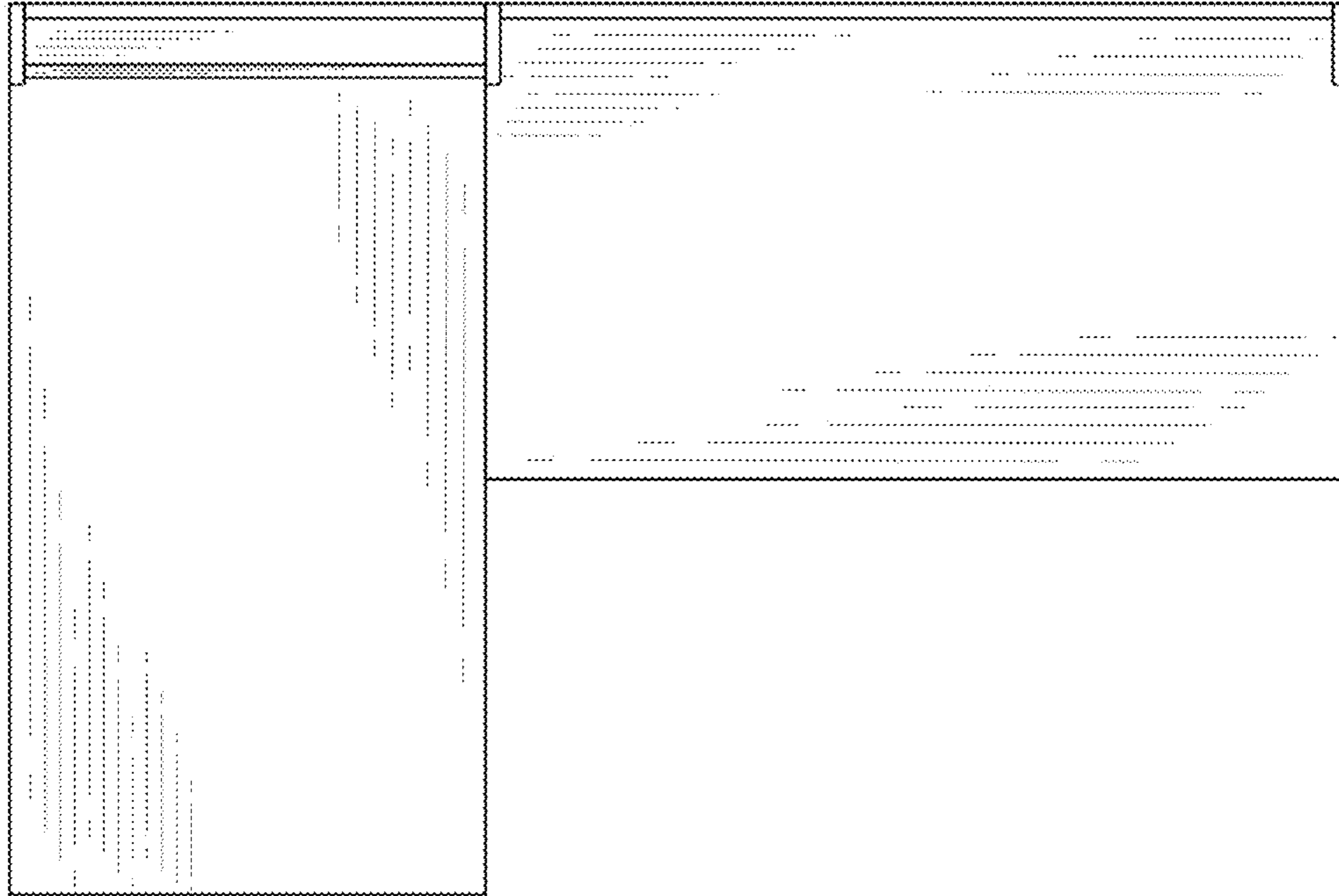


Fig.6

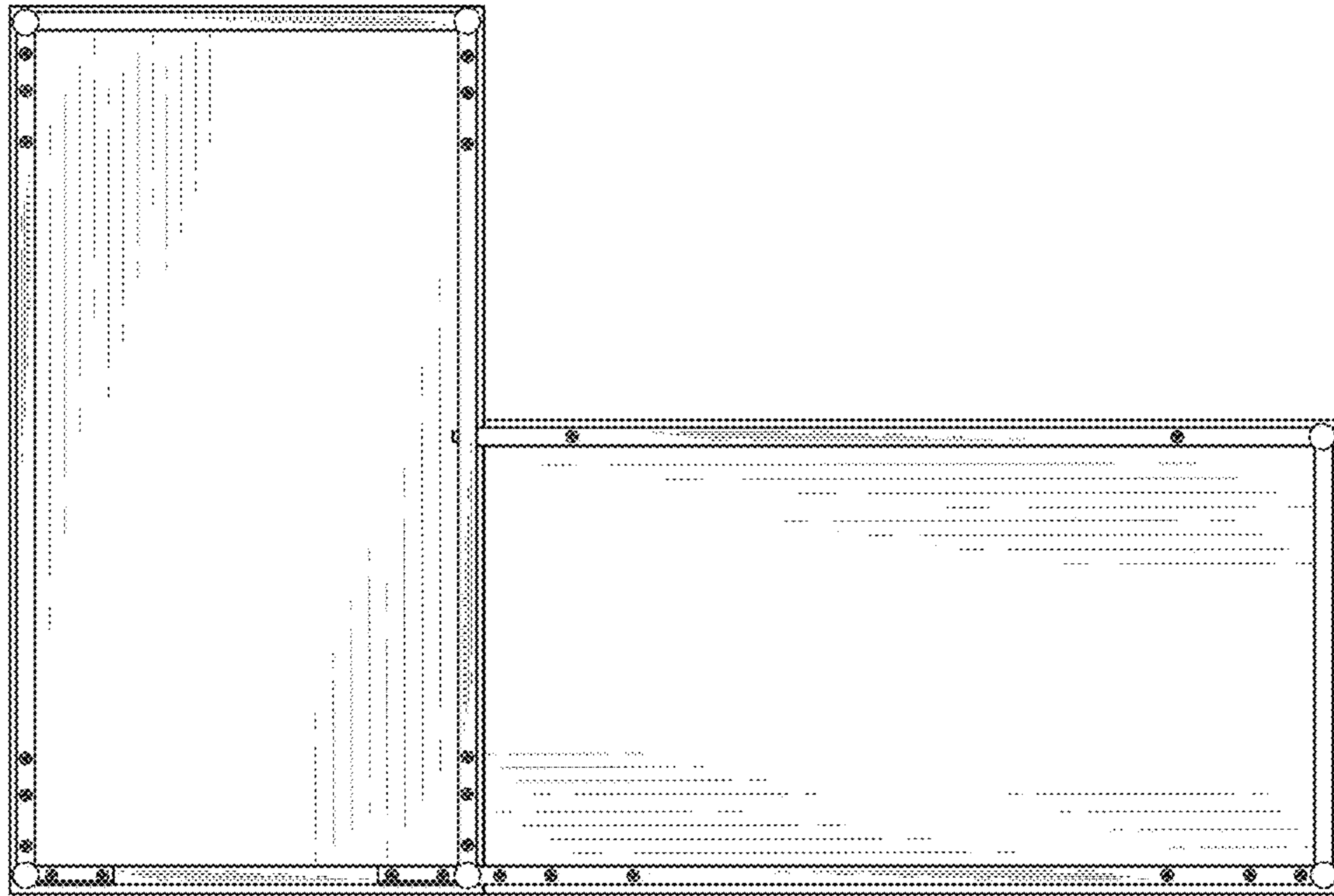


Fig.7