



US00D891820S

(12) **United States Design Patent** (10) **Patent No.:** **US D891,820 S**  
**Shyu** (45) **Date of Patent:** **\*\* Aug. 4, 2020**

(54) **TABLE**

- (71) Applicant: **EP Family Corp.**, Walnut, CA (US)
- (72) Inventor: **Chin-Hung Shyu**, Chiayi (TW)
- (\*\*) Term: **15 Years**
- (21) Appl. No.: **29/665,783**
- (22) Filed: **Oct. 6, 2018**
- (51) **LOC (12) Cl.** ..... **06-03**
- (52) **U.S. Cl.**  
USPC ..... **D6/648; D6/709**
- (58) **Field of Classification Search**  
USPC ..... D6/329, 641, 648, 648.1, 648.2, 648.4,  
D6/656, 656.13, 656.16, 656.18, 708,  
D6/708.16, 709  
CPC .. A47B 7/00; A47B 9/00; A47B 13/00; A47B  
13/02; A47B 13/04; A47B 13/06; A47B  
13/08; A47B 17/00; A47B 19/00; A47B  
21/00  
See application file for complete search history.

(56) **References Cited**

**U.S. PATENT DOCUMENTS**

D471,030 S *	3/2003	Chang	.....	D6/648.2
D474,355 S *	5/2003	Sexton	.....	D6/648.1
7,111,564 B2 *	9/2006	Chang	.....	A47B 13/06 108/155
D549,009 S *	8/2007	Lin	.....	D6/648.4
D573,366 S *	7/2008	Sexton	.....	D6/648
D617,116 S *	6/2010	Sexton	.....	D6/648.4
D626,766 S *	11/2010	Sexton	.....	D6/648
D633,734 S *	3/2011	Sexton	.....	D6/709
D726,464 S *	4/2015	Lin	.....	D6/709
D726,466 S *	4/2015	Lin	.....	D6/709
D861,381 S *	10/2019	Hu	.....	D6/656.11
D873,586 S *	1/2020	Chang	.....	D6/656.16
D880,905 S *	4/2020	Huang	.....	D6/648

**OTHER PUBLICATIONS**

“SHW L-Shape Corner Desk Computer gaming Desk Table.” Found online Jun. 8, 2020 at [www.amazon.com](http://www.amazon.com). Product first available Jan. 4, 2019. Retrieved from URL: <https://www.amazon.com/SHW-L-Shaped-Office-Corner-Espresso/dp/B07MFC32XC?th=1> (Year: 2019).\*

“Foxemort L Shaped Desk Home Office Desk with Round Corner.” Found online Jun. 8, 2020 at [www.amazon.com](http://www.amazon.com). Product first available Mar. 3, 2020. Retrieved from URL: <https://tinyurl.com/yd35xuqj> (Year: 2020).\*

“Scranton and Co. L-Shape Corner.” Found online Jun. 8, 2020 at [www.amazon.com](http://www.amazon.com). Product first available Mar. 30, 2018. Retrieved from URL: <https://tinyurl.com/ya93fea3> (Year: 2018).\*

“Cubiker Modern L-Shaped Desk.” Found online Jun. 8, 2020 at [www.amazon.com](http://www.amazon.com). Product first available Nov. 25, 2019. Retrieved from URL: <https://tinyurl.com/y8k4zdje> (Year: 2019).\*

\* cited by examiner

*Primary Examiner* — Mary Ann Calabrese  
*Assistant Examiner* — Katelin G Kloberg  
 (74) *Attorney, Agent, or Firm* — Tommy SF Wang; Wang IP Law Group, P.C.

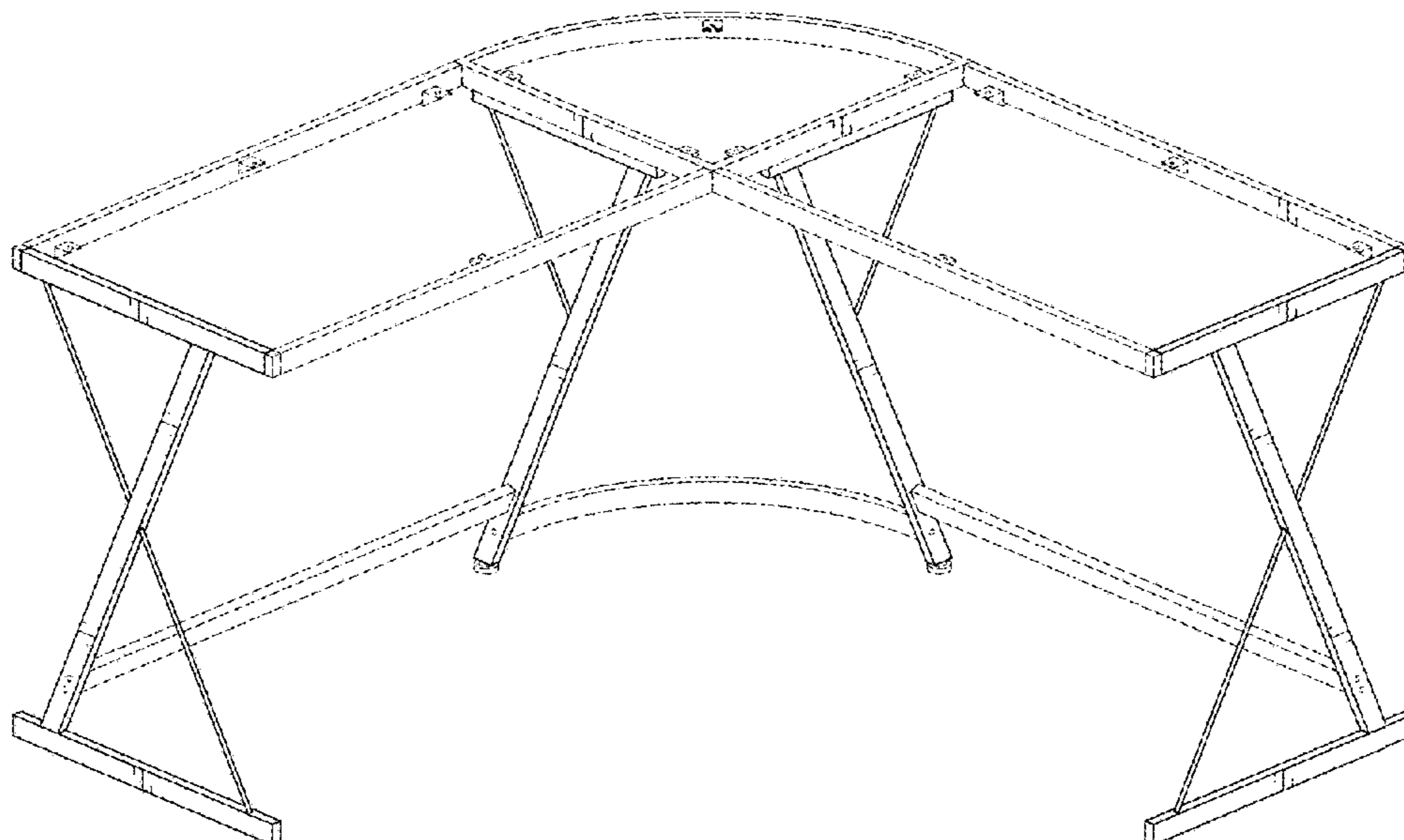
(57) **CLAIM**

The ornamental design for a table, as shown and described.

**DESCRIPTION**

FIG. 1 is a perspective view of a table showing my new design;  
 FIG. 2 is a front view thereof;  
 FIG. 3 is a rear view thereof;  
 FIG. 4 is a left side view thereof;  
 FIG. 5 is a right side view thereof;  
 FIG. 6 is a top view thereof; and,  
 FIG. 7 is a bottom view thereof.  
 The broken line portions of the table in FIGS. 1-7 represent unclaimed portions of the claimed design and form no part thereof.

**1 Claim, 7 Drawing Sheets**



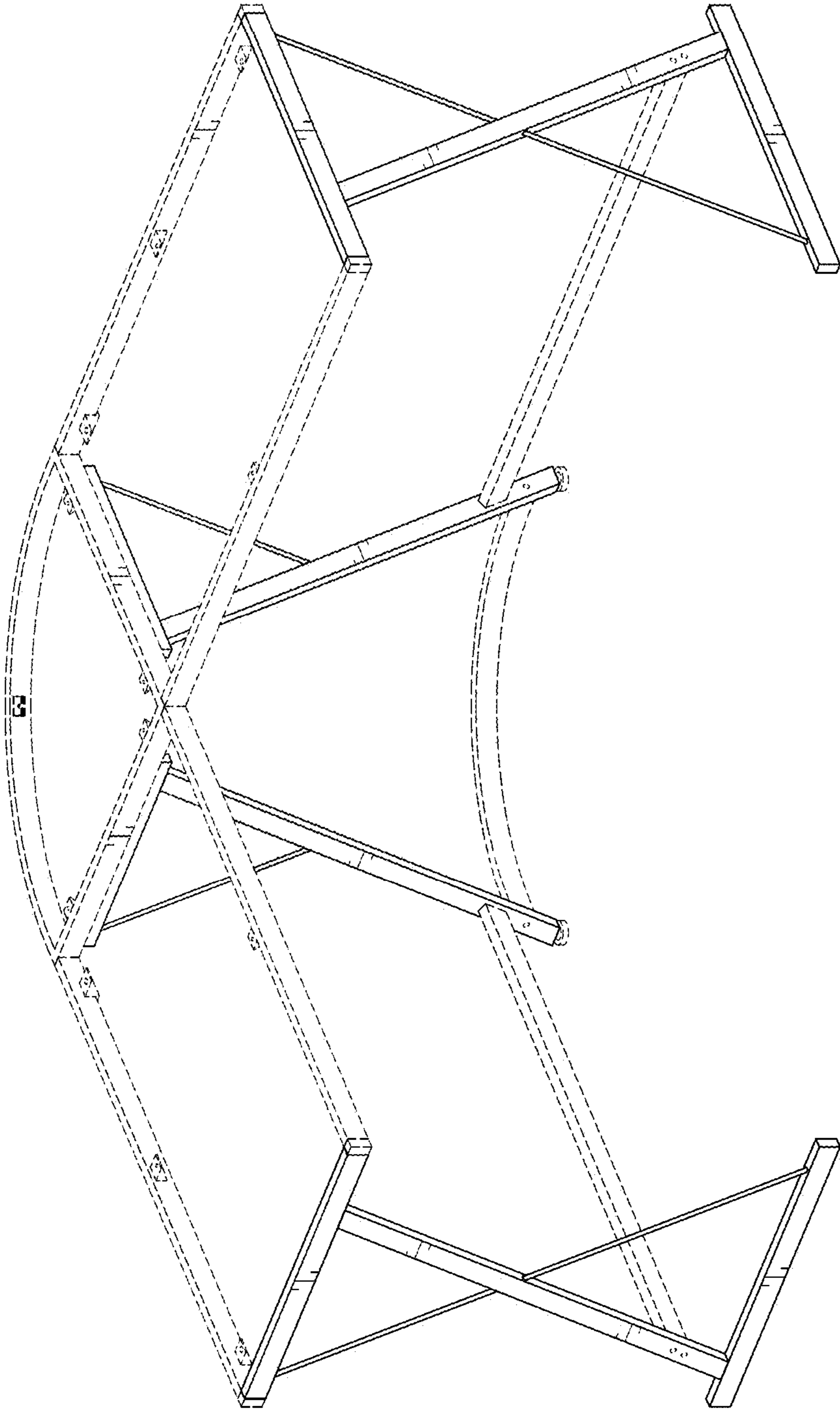


FIG. 1

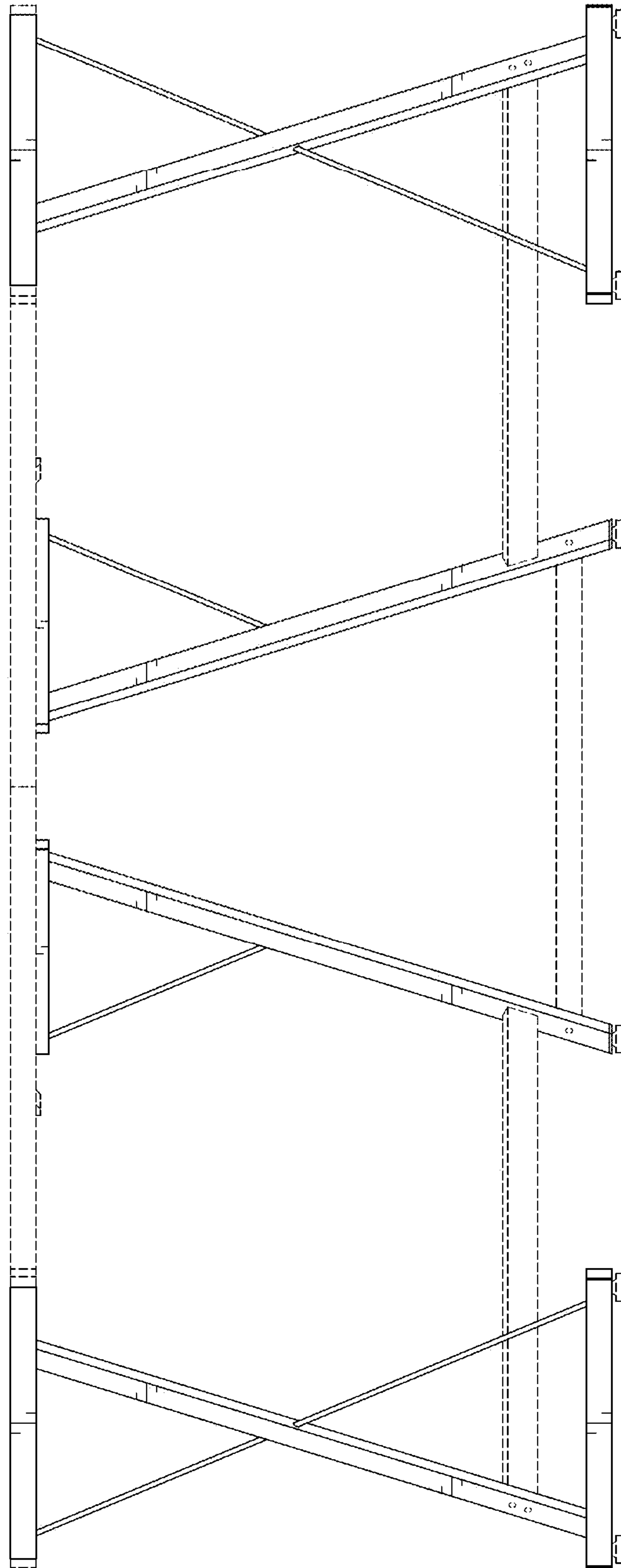


FIG. 2

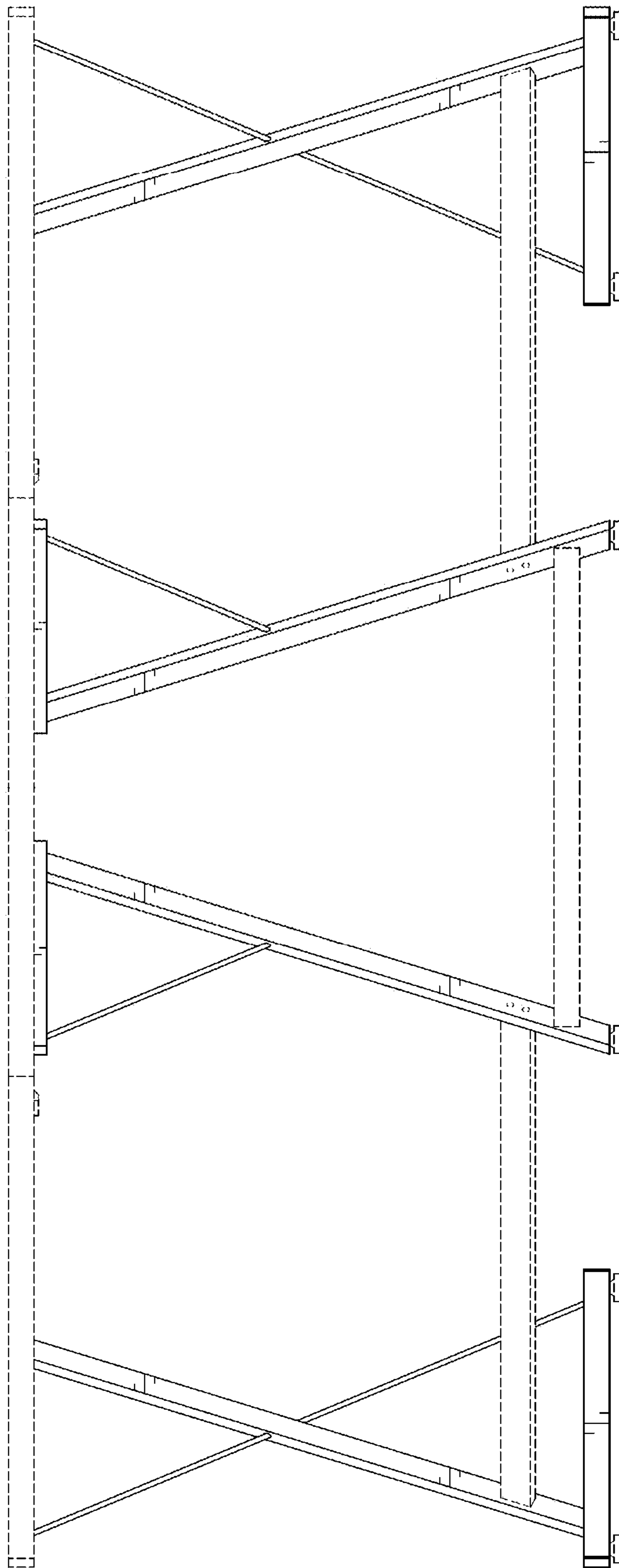


FIG. 3

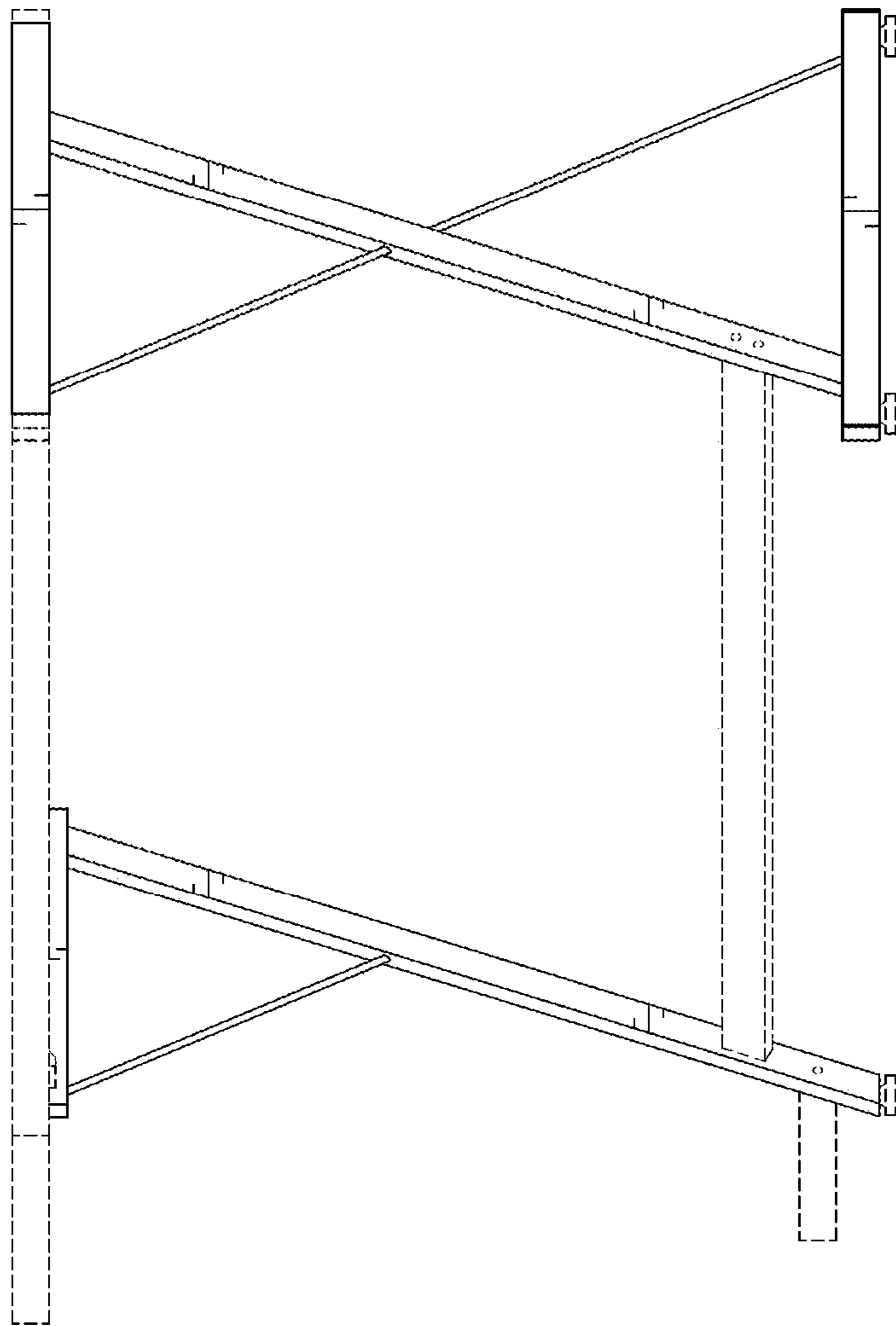


FIG. 4



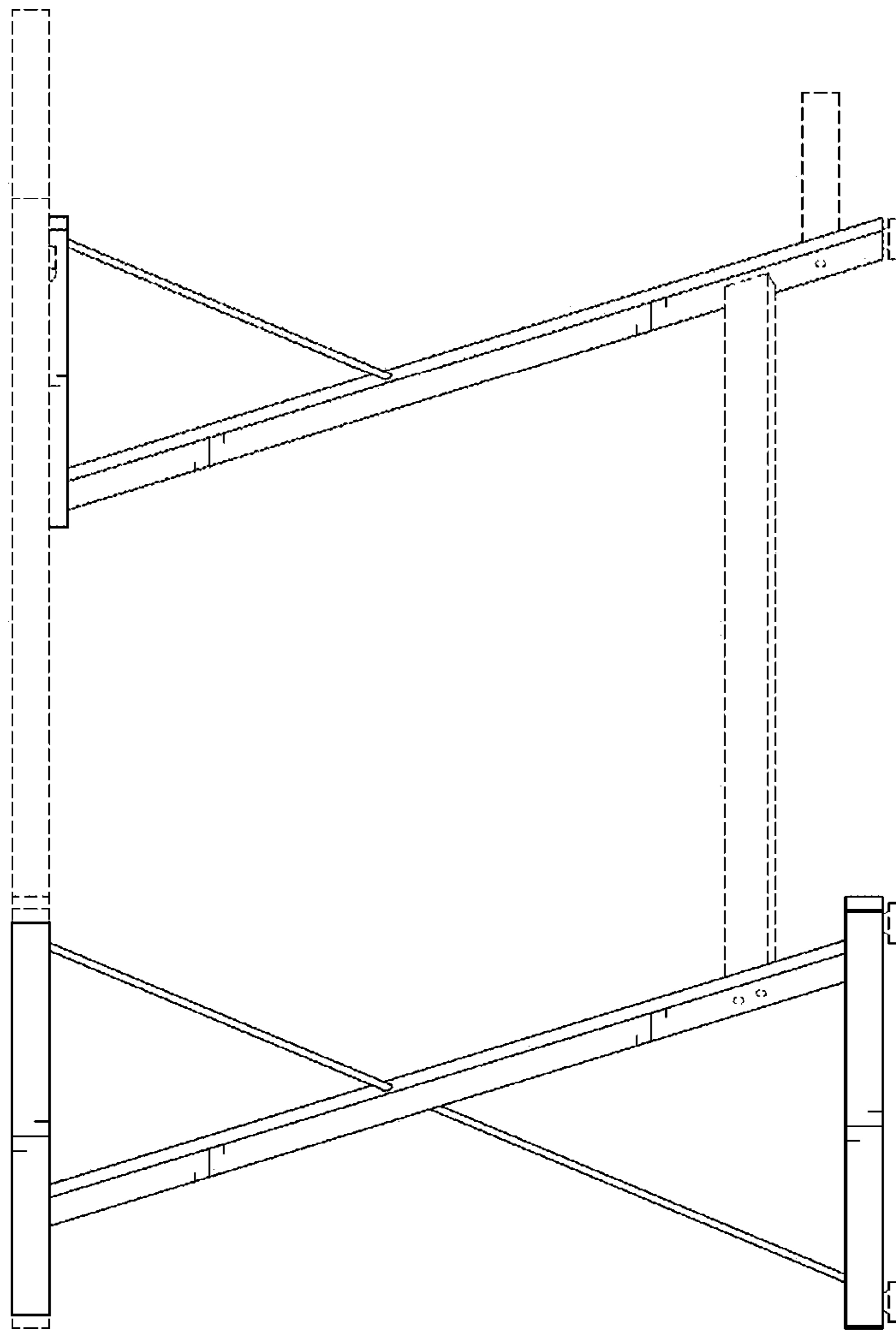


FIG. 5

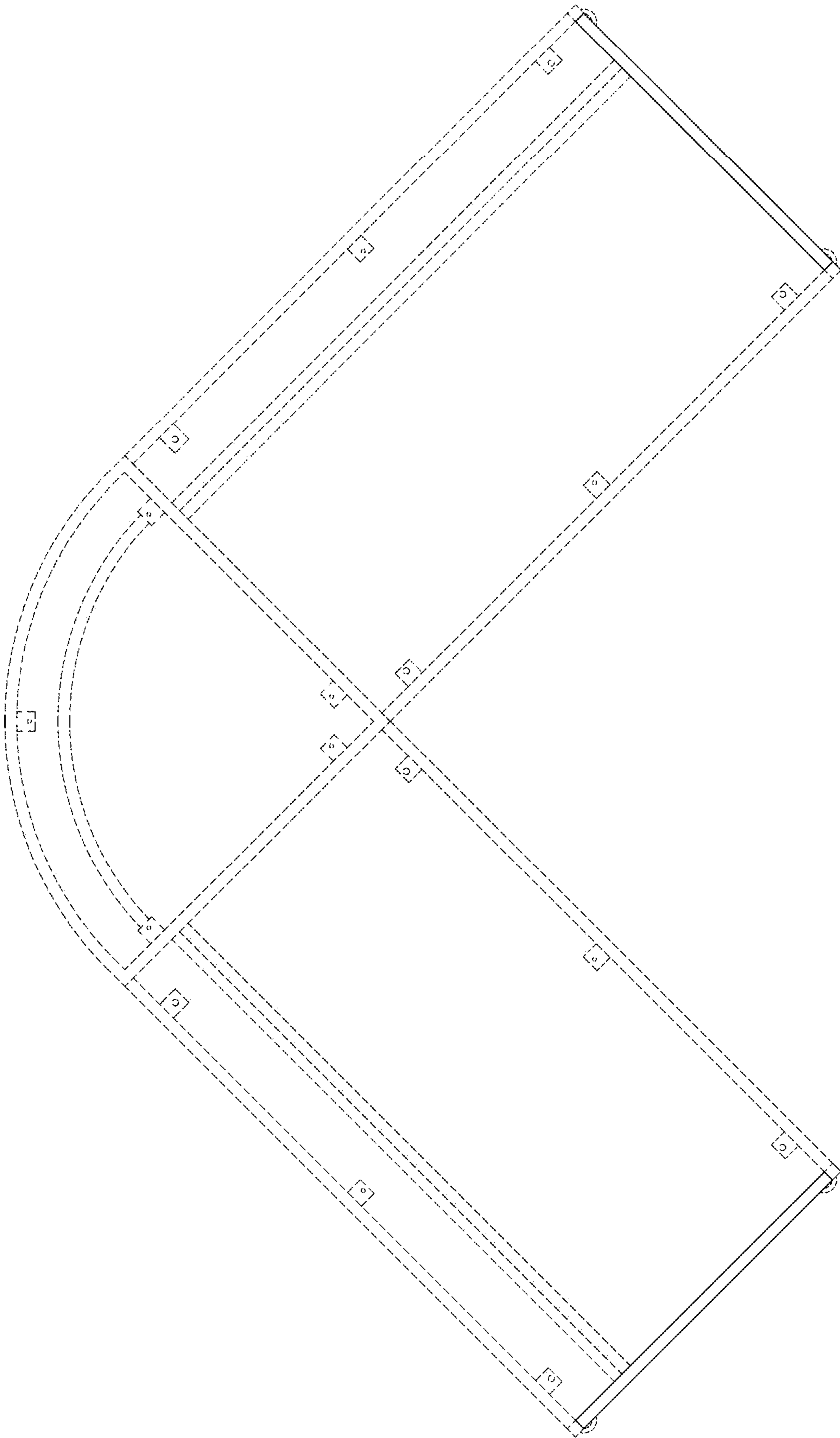


FIG. 6

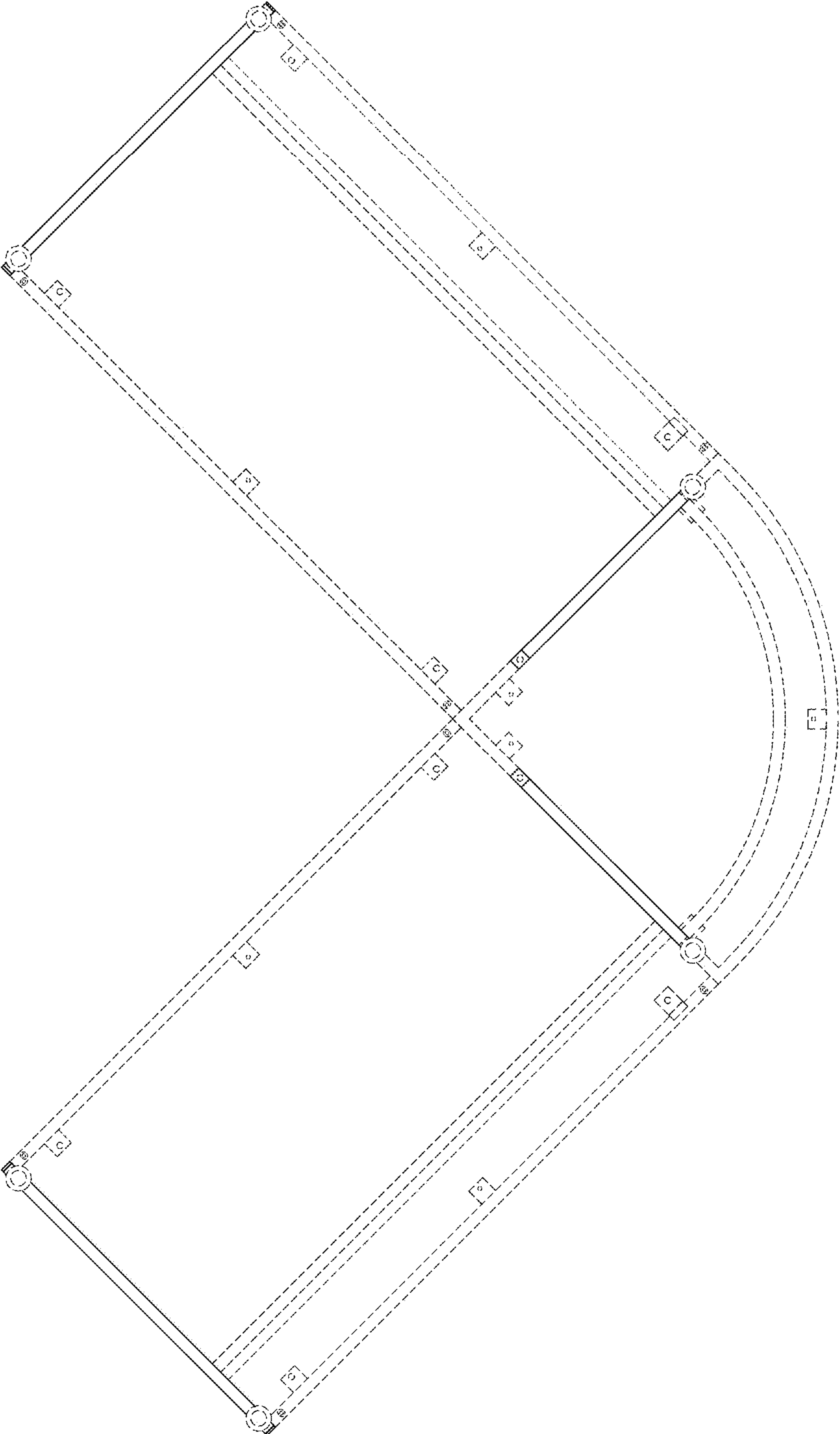


FIG. 7





US00D891820C1

(12) **EX PARTE REEXAMINATION CERTIFICATE** (12388th)  
**United States Patent**  
**Shyu**

(10) **Number:** **US D891,820 C1**  
(45) **Certificate Issued:** **Sep. 5, 2023**

(54) **TABLE**

(71) Applicant: **EP Family Corp.**, Walnut, CA (US)

(72) Inventor: **Chin-Hung Shyu**, Chiayi (TW)

**Reexamination Request:**

No. 90/015,148, Oct. 31, 2022

**Reexamination Certificate for:**

Patent No.: **Des. 891,820**

Issued: **Aug. 4, 2020**

Appl. No.: **29/665,783**

Filed: **Oct. 6, 2018**

(52) **U.S. Cl.**

USPC ..... **D6/648**; D6/709

(58) **Field of Classification Search**

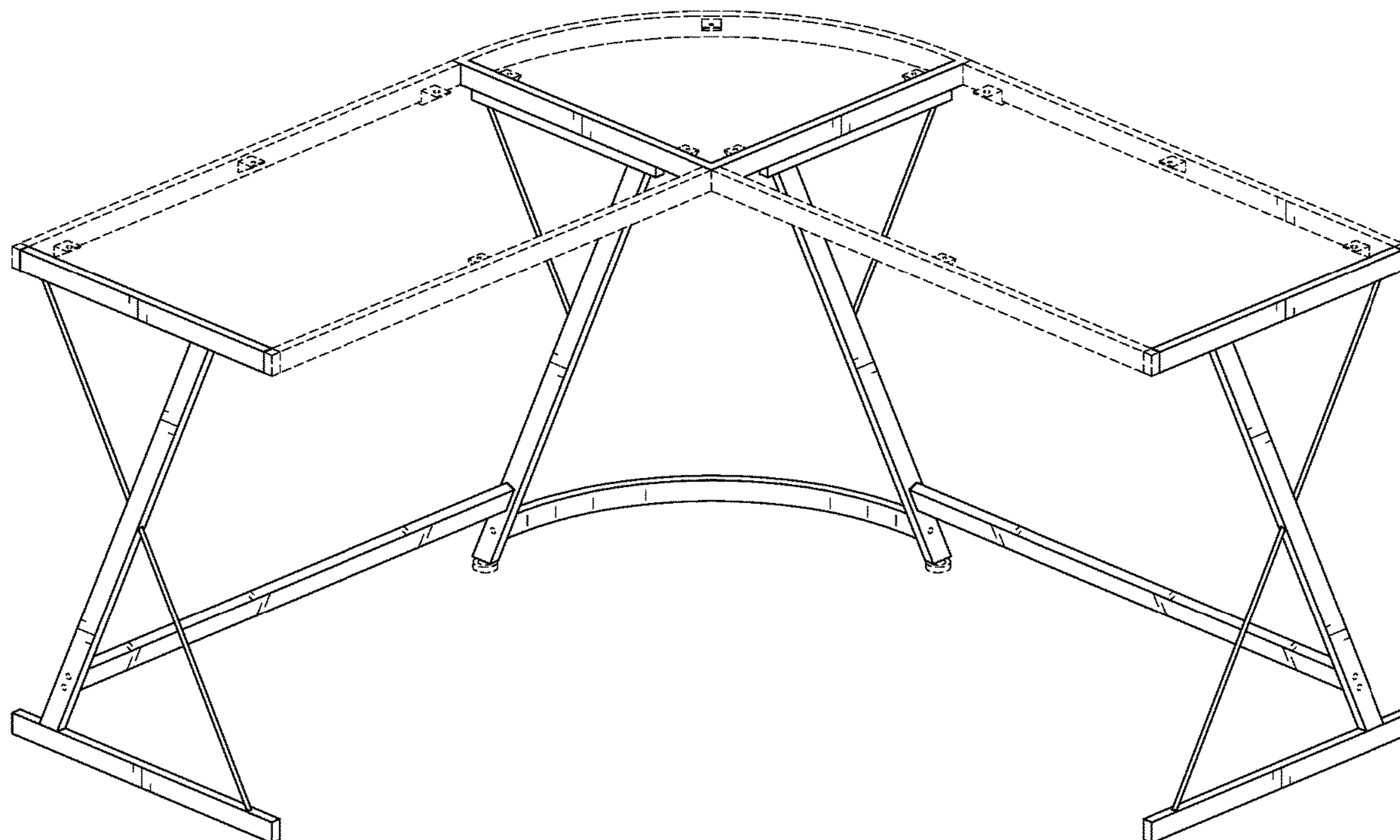
USPC ..... D6/648, 656, 656.18, 709, 709.2, 709.21

See application file for complete search history.

(56) **References Cited**

To view the complete listing of prior art documents cited during the proceeding for Reexamination Control Number 90/015,148, please refer to the USPTO's Patent Electronic System.

(51) **LOC (14) Cl.** ..... **06-03** *Primary Examiner* — Brett Miller



**1**  
**EX PARTE**  
**REEXAMINATION CERTIFICATE**

NO AMENDMENTS HAVE BEEN MADE TO 5  
THE PATENT

AS A RESULT OF REEXAMINATION, IT HAS BEEN  
DETERMINED THAT:

The patentability of claim 1 is confirmed. 10

\* \* \* \* \*