



US00D891819S

(12) **United States Design Patent** (10) **Patent No.:** **US D891,819 S**
Kang (45) **Date of Patent:** **** Aug. 4, 2020**

(54) **LIFTING DESK**

(71) Applicant: **Ningbo Kangying Metal Product Co., LTD, Ningbo (CN)**

(72) Inventor: **Wei Kang, Ningbo (CN)**

(73) Assignee: **NINGBO KANGYING METAL PRODUCT CO., LTD, Ningbo (CN)**

(**) Term: **15 Years**

(21) Appl. No.: **29/705,850**

(22) Filed: **Sep. 16, 2019**

(51) **LOC (12) Cl.** **06-03**

(52) **U.S. Cl.**
USPC **D6/641**

(58) **Field of Classification Search**
USPC D6/640, 641, 642, 643, 643.1, 644, 645, D6/648, 648.1, 648.3, 648.4, 649, 650, D6/651, 652, 654, 654.1, 655, 655.1, D6/655.11, 655.12, 655.13, 655.14, D6/655.15, 655.16, 656, 656.1, 656.11, D6/656.16, 656.17, 656.18, 656.19, 668, D6/685, 688.11, 688.21, 688.27, 690, D6/695, 698, 691, 691.6, 696.1, 700, 707, D6/707.19, 707.24, 707.26, 708, 708.2, D6/708.21, 708.23, 709.22
CPC A47B 9/00; A47B 9/04; A47B 9/06; A47B 3/08; A47B 21/00; A47B 21/02; A47B 21/06; A47B 21/007; A47B 21/0314; A47B 2009/185; A47B 2200/0013; A47B 2200/0026; A47B 2200/0085; A47B 2200/0087

See application file for complete search history.

(56) **References Cited**

U.S. PATENT DOCUMENTS

D546,588 S * 7/2007 Massaud D6/691
9,049,923 B1 * 6/2015 Delagey A47B 9/18
D859,037 S * 9/2019 Martin D6/656
2013/0256611 A1 * 10/2013 Ruth sen B66F 7/065
254/122
2016/0159628 A1 * 6/2016 Mohr B66F 7/065
254/122
2016/0338486 A1 * 11/2016 Martin A47B 9/16
2017/0196351 A1 * 7/2017 Failing A47B 21/0314
2018/0146775 A1 * 5/2018 You A47B 9/16
2018/0160799 A1 * 6/2018 Westerg rd A47B 21/02
2018/0184797 A1 * 7/2018 Chuang A47B 9/16
2020/0015584 A1 * 1/2020 Fletcher-Price A47B 21/02

* cited by examiner

Primary Examiner — Mary Ann Calabrese

Assistant Examiner — Catherine Ho

(74) *Attorney, Agent, or Firm* — Muncy, Geissler, Olds & Lowe

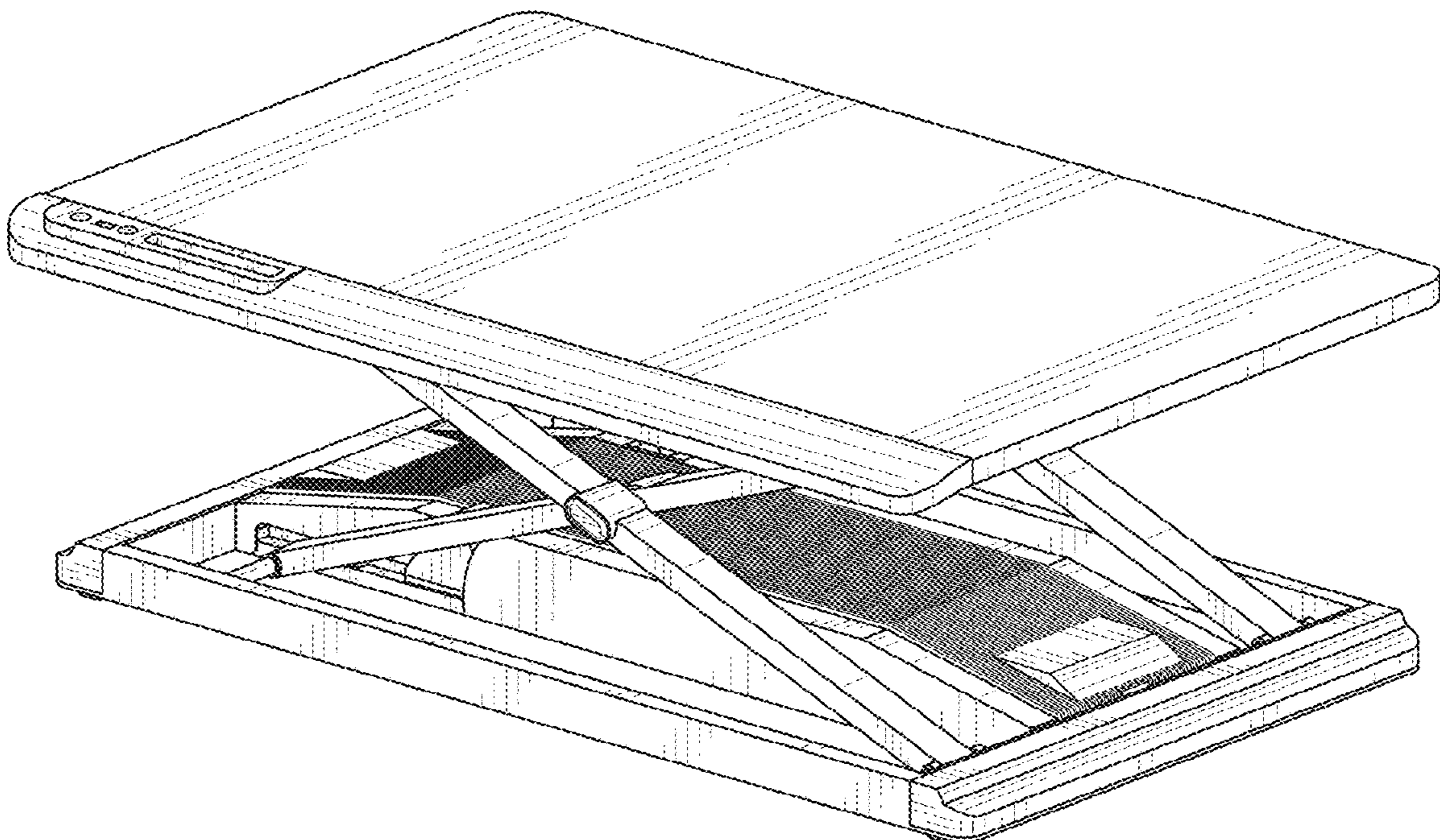
(57) **CLAIM**

The ornamental design for a lifting desk, as shown and described.

DESCRIPTION

FIG. 1 is a perspective view of a lifting desk showing my new design;
FIG. 2 is a front elevational view thereof;
FIG. 3 is a rear elevational view thereof;
FIG. 4 is a left side view thereof;
FIG. 5 is a right side view thereof; and,
FIG. 6 is a top plan view thereof.

1 Claim, 6 Drawing Sheets



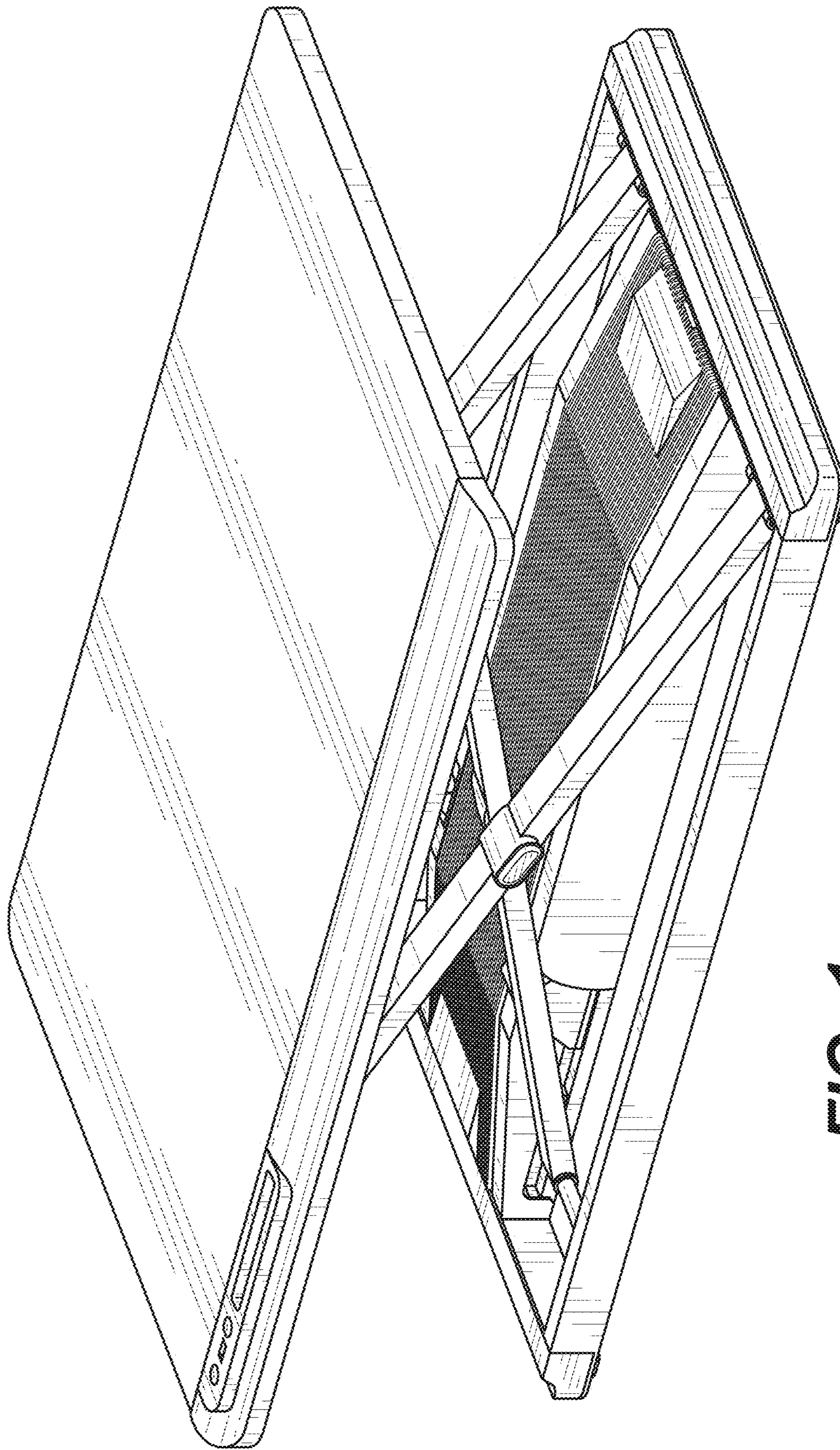


FIG. 1

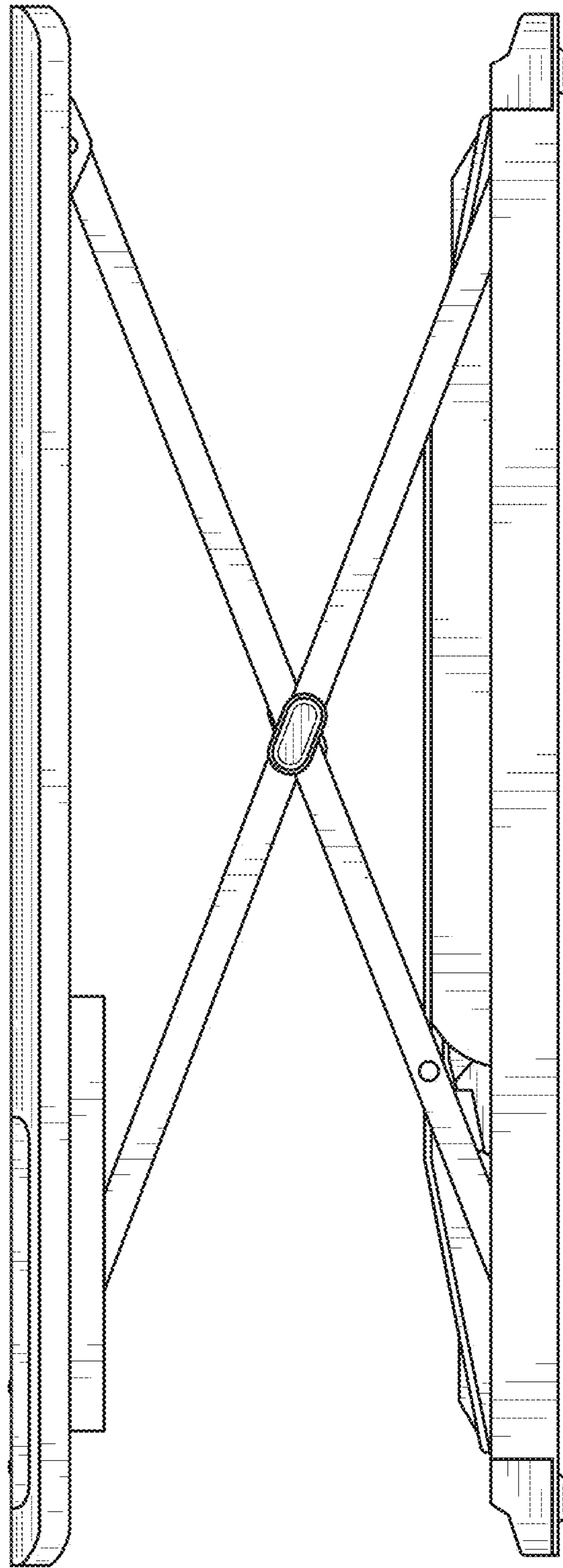


FIG. 2

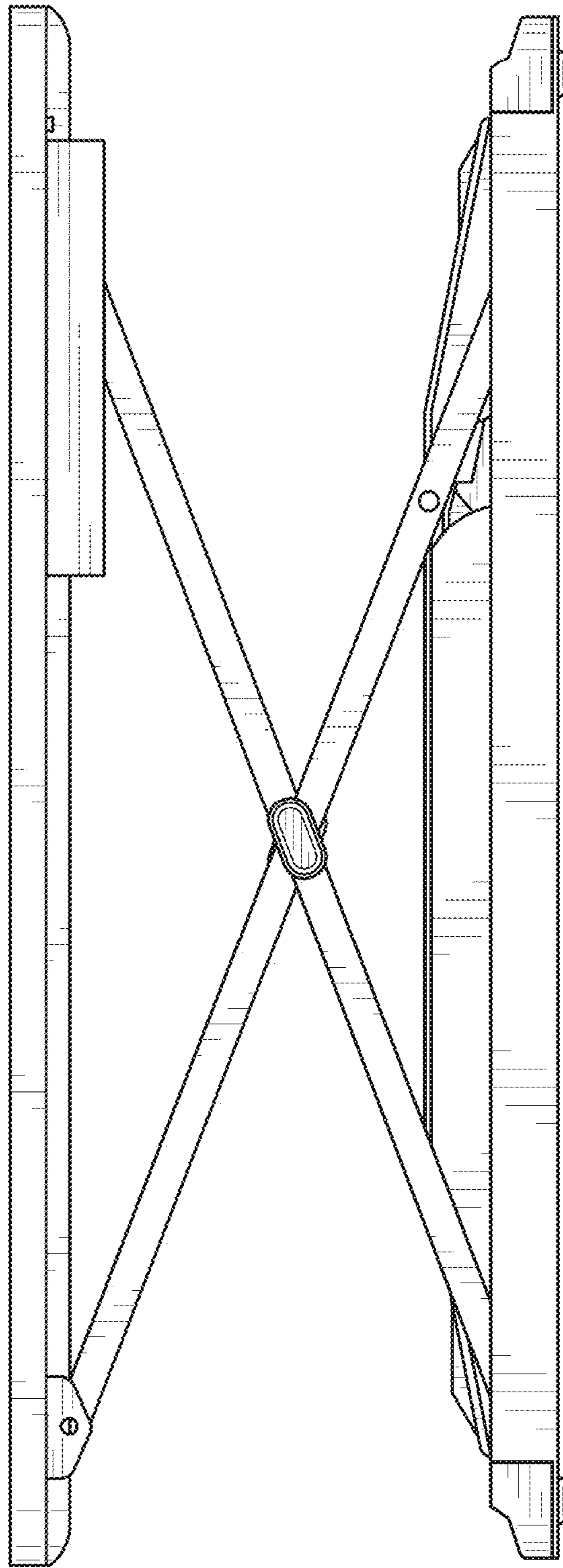


FIG. 3

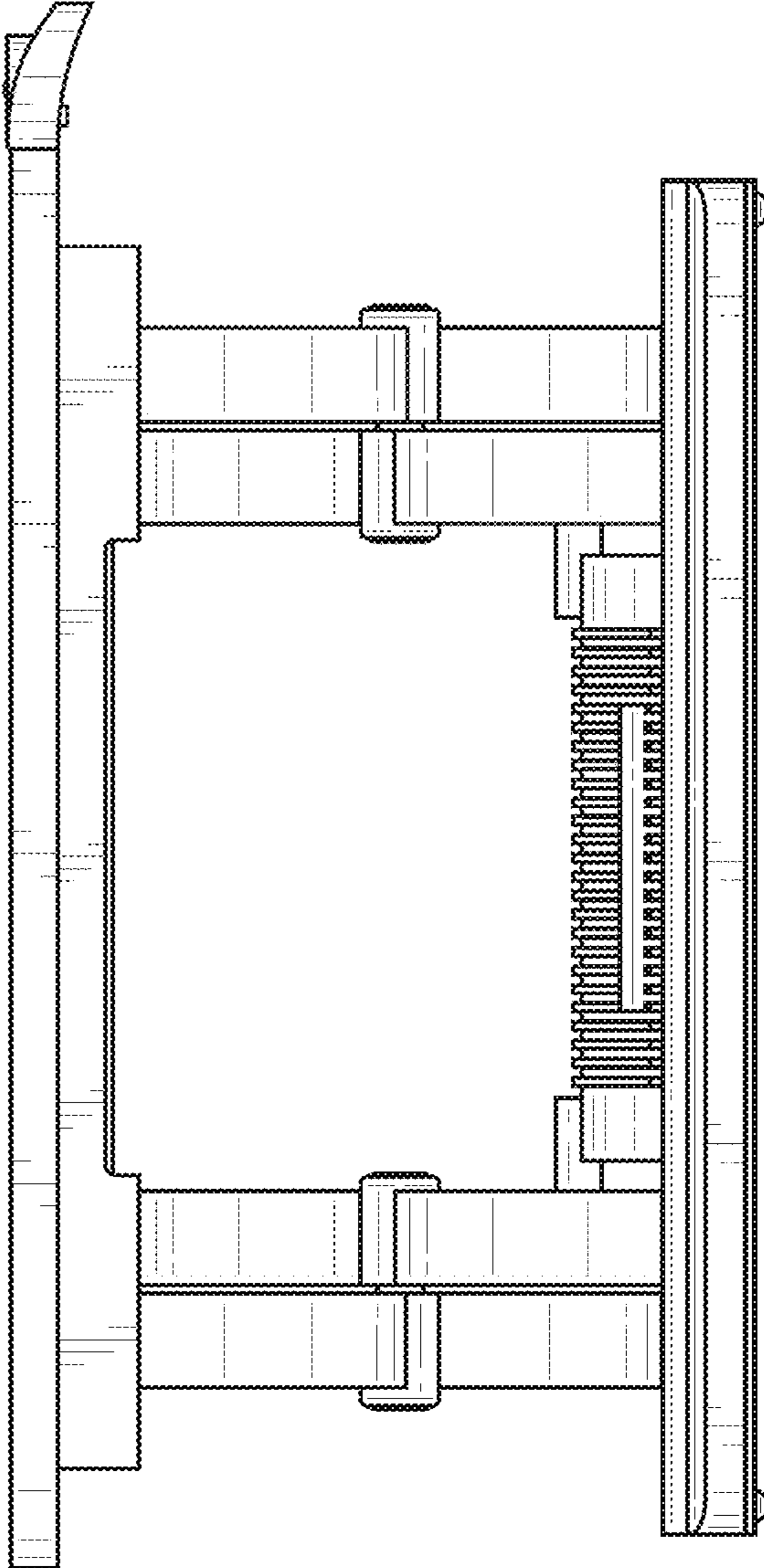


FIG. 4

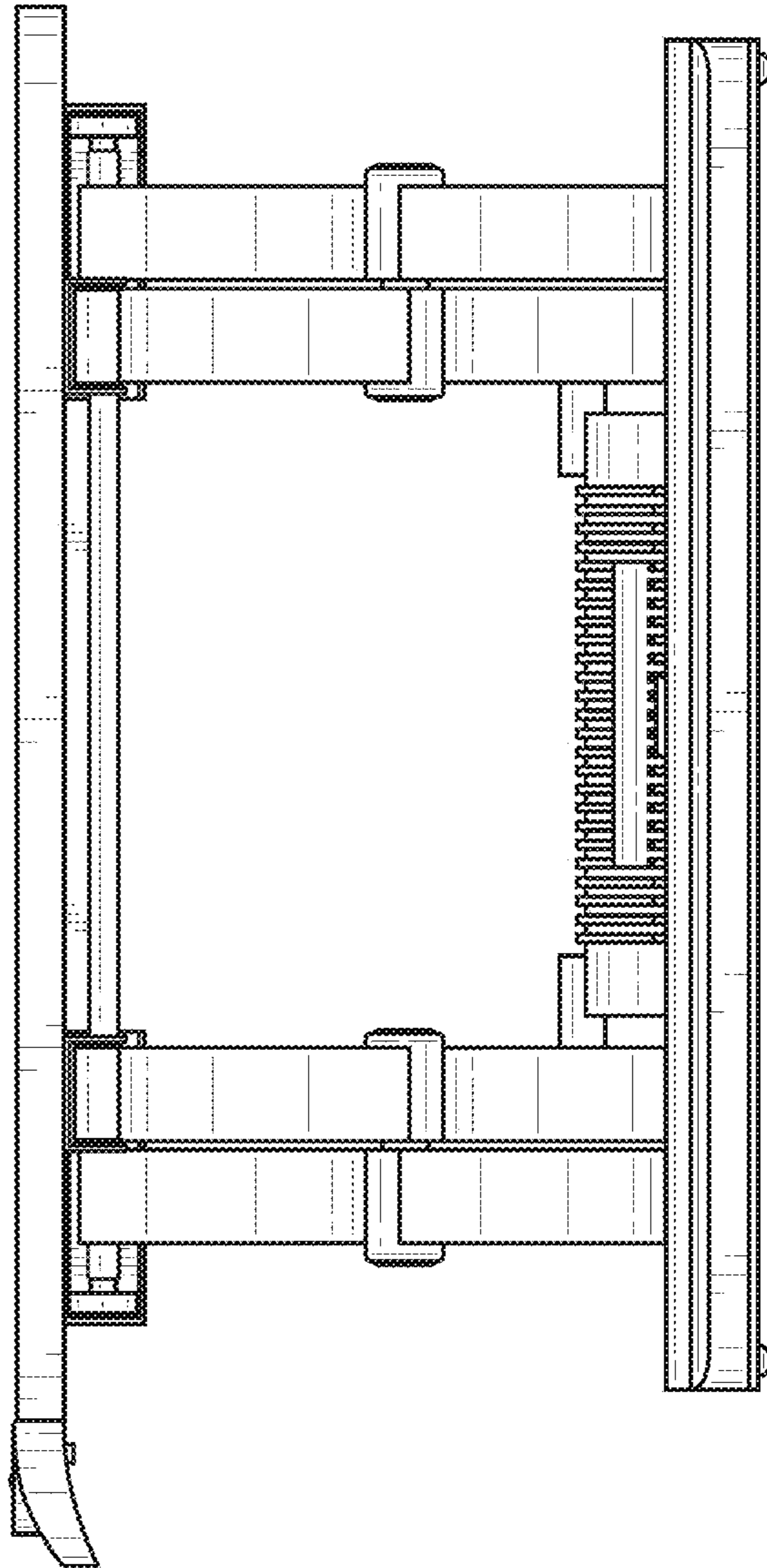


FIG. 5

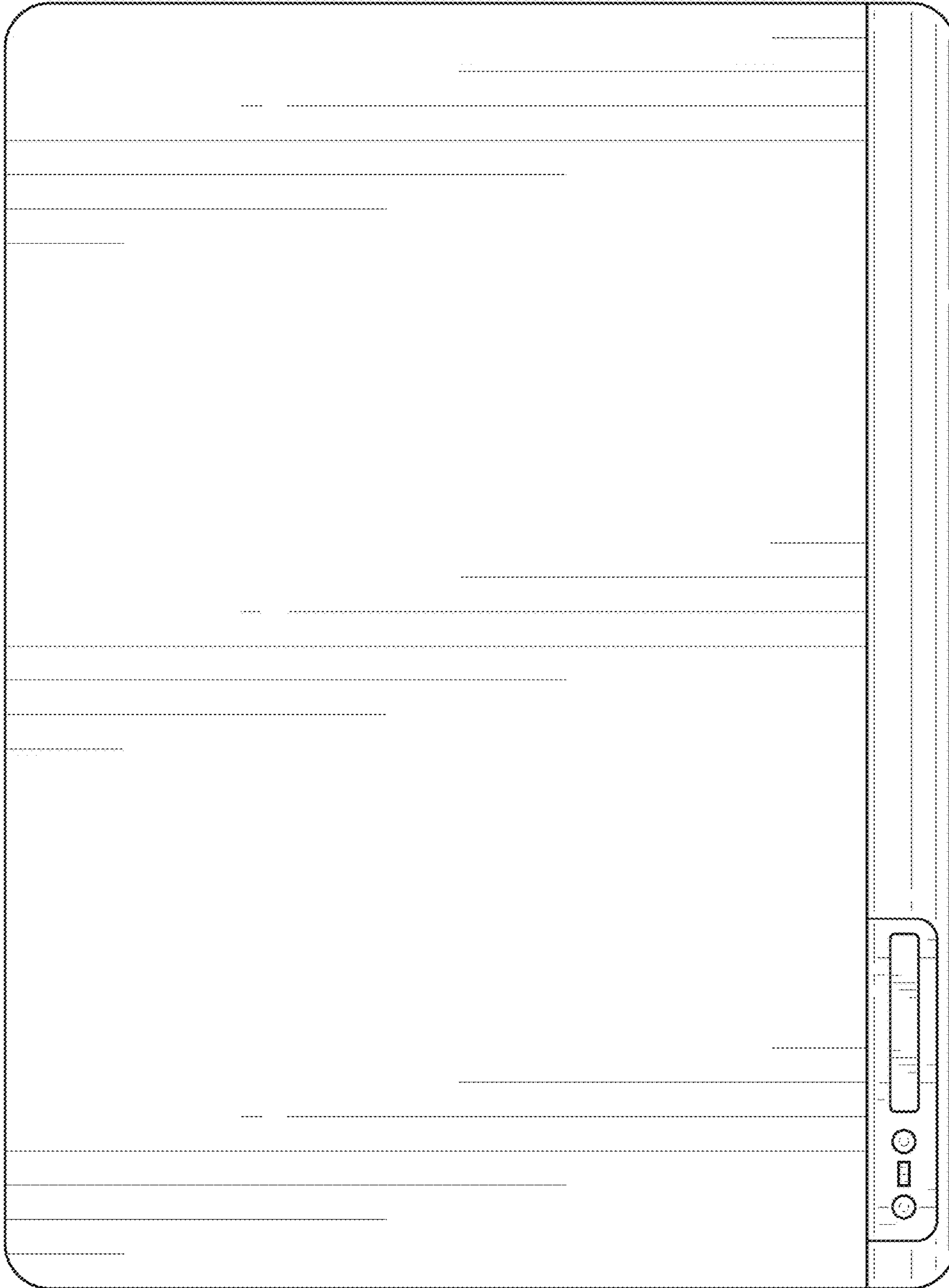


FIG. 6