

US00D891814S

(12) **United States Design Patent**
Garcia

(10) **Patent No.:** **US D891,814 S**

(45) **Date of Patent:** **** Aug. 4, 2020**

(54) **NICHE CABINET**

(71) Applicant: **Columbarium By Design, LLC**, Santa Fe, NM (US)

(72) Inventor: **Gerardo G. Garcia**, Sante Fe, NM (US)

(73) Assignee: **Columbarium By Design, LLC**, Santa Fe, NM (US)

(**) Term: **15 Years**

(21) Appl. No.: **29/646,099**

(22) Filed: **May 1, 2018**

(51) **LOC (12) Cl.** **06-04**

(52) **U.S. Cl.**

USPC **D6/559**

(58) **Field of Classification Search**

USPC D6/559, 446, 553, 561, 663, 675, 675.1, D6/675.2, 672, 673, 560, 432; D3/201, D3/203, 254, 272, 273; 211/13.1, 86.01, 211/186; 312/242, 245, 257.1, 271, 301, 312/198, 265.4; 52/134-136; D14/102

CPC A47B 67/02; A47B 47/00; A47B 96/00; A47B 51/00; A47B 81/00; A47B 57/58; A47B 43/00; E06B 3/5045; A47F 5/0018

See application file for complete search history.

(56) **References Cited**

U.S. PATENT DOCUMENTS

D412,797 S * 8/1999 Sadler D6/663
D732,321 S * 6/2015 Choi D6/663
D745,820 S 12/2015 Alvarez Brena

(Continued)

OTHER PUBLICATIONS

Design U.S. Appl. No. 29/635,195, Inventor Gerardo G. Garcia, filed Jan. 29, 2018.

(Continued)

Primary Examiner — Wan Laymon

Assistant Examiner — Mark Booker

(74) *Attorney, Agent, or Firm* — Amin, Turocy & Watson, LLP

(57) **CLAIM**

The ornamental design for a niche cabinet, as shown and described.

DESCRIPTION

FIG. 1 is a perspective view of a first embodiment of a niche cabinet showing my new design;

FIG. 2 is an exploded view of the first embodiment;

FIG. 3 is a front elevation view of the first embodiment;

FIG. 4 is a right side elevation view of the first embodiment, the left side being a mirror image;

FIG. 5 is a top plan view of the first embodiment, the bottom plan being a mirror image;

FIG. 6 is a back elevation view of the first embodiment;

FIG. 7 is a perspective view of a second embodiment of a niche cabinet showing my new design;

FIG. 8 is an exploded view of the second embodiment;

FIG. 9 is a front elevation view of the second embodiment;

FIG. 10 is a right side elevation view of the second embodiment, the left side being a mirror image;

FIG. 11 is a top plan view of the second embodiment, the bottom plan being a mirror image;

FIG. 12 is a back elevation view of the second embodiment;

FIG. 13 is a perspective view of a third embodiment of a niche cabinet showing my new design;

FIG. 14 is an exploded view of the third embodiment;

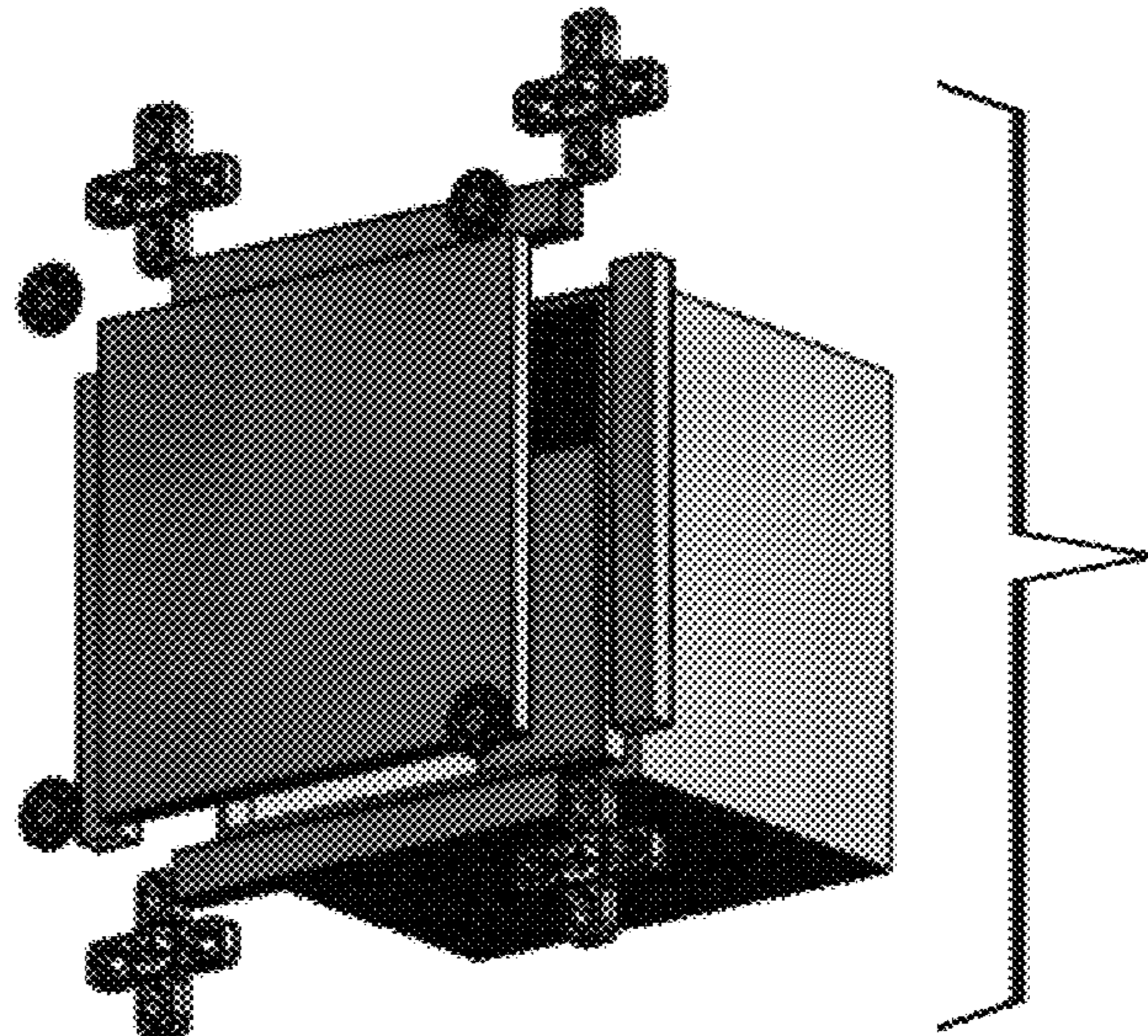
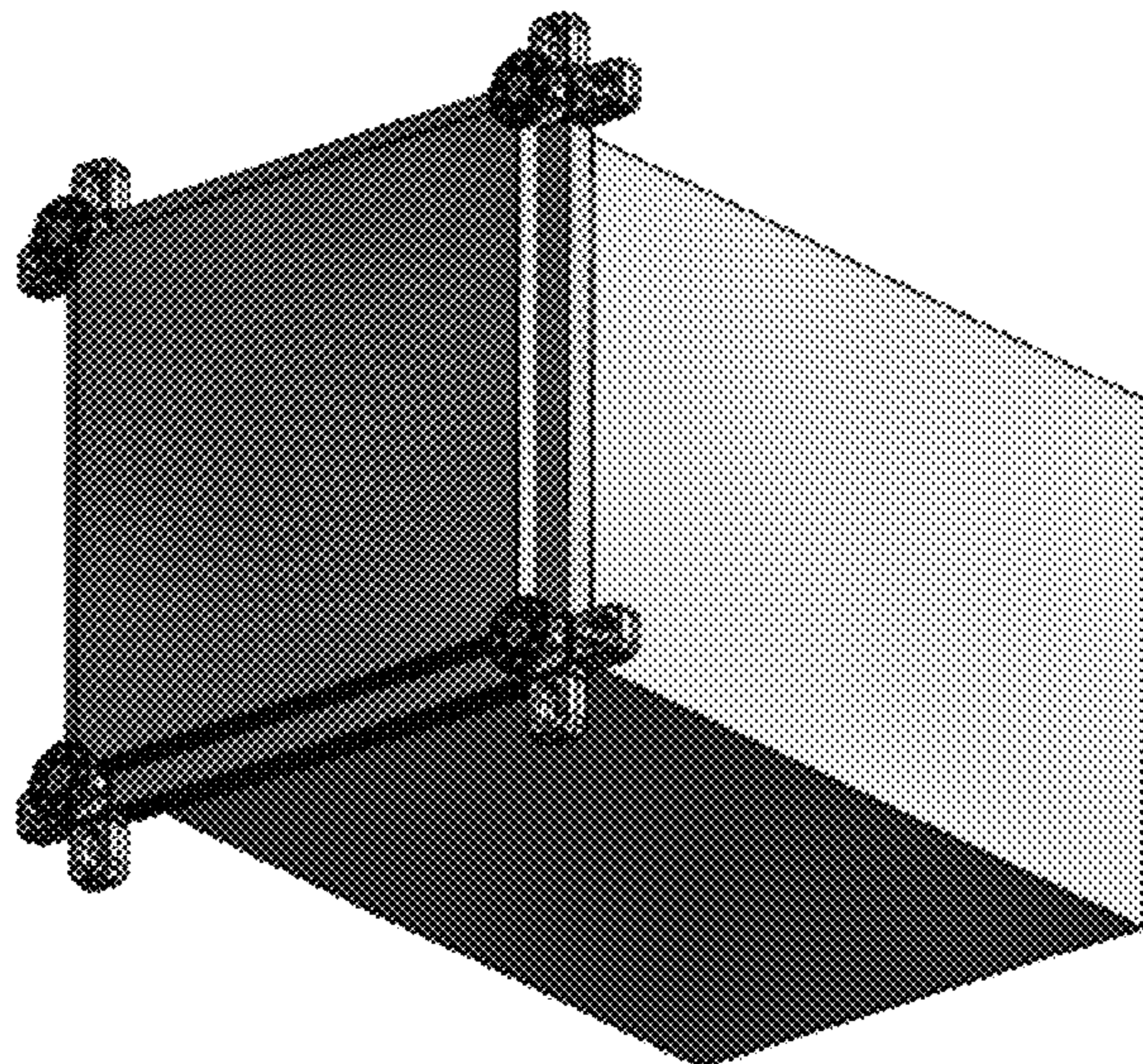
FIG. 15 is a front elevation view of the third embodiment;

FIG. 16 is a right side elevation view of the third embodiment, the left side being a mirror image;

FIG. 17 is a top plan view of the third embodiment; and,

FIG. 18 is a back elevation view of the third embodiment.

1 Claim, 5 Drawing Sheets



(56)

References Cited

U.S. PATENT DOCUMENTS

D750,955	S	3/2016	Alvarez Brena	
9,414,985	B2	8/2016	Ugartechea Berlanga	
D773,293	S	12/2016	Ugartechea Berlanga	
D823,617	S *	7/2018	Chiao	D6/559
2011/0154748	A1 *	6/2011	Young	E04H 13/006
				52/136
2011/0241505	A1 *	10/2011	Tashjian	A47B 87/0276
				312/198
2012/0042489	A1 *	2/2012	Cai	E04H 13/006
				27/35
2013/0199111	A1 *	8/2013	Eickhof	E04H 13/006
				52/134
2015/0076099	A1 *	3/2015	Chang	A47B 47/0016
				211/186
2015/0308141	A1 *	10/2015	Ugartechea Berlanga	
				A61G 99/00
				52/135
2015/0335151	A1 *	11/2015	Funfgeld	A47B 47/042
				403/205
2018/0202184	A1 *	7/2018	Rossi	E04H 13/008
2018/0223558	A1 *	8/2018	Birkmeier	E04H 13/008
2019/0284829	A1 *	9/2019	Garcia	E04H 13/006

OTHER PUBLICATIONS

Design U.S. Appl. No. 15/919,446, Inventor Gerardo G. Garcia, filed Mar. 13, 2018.

Columbarium by Design, Product Catalog, Feb. 2016.

* cited by examiner

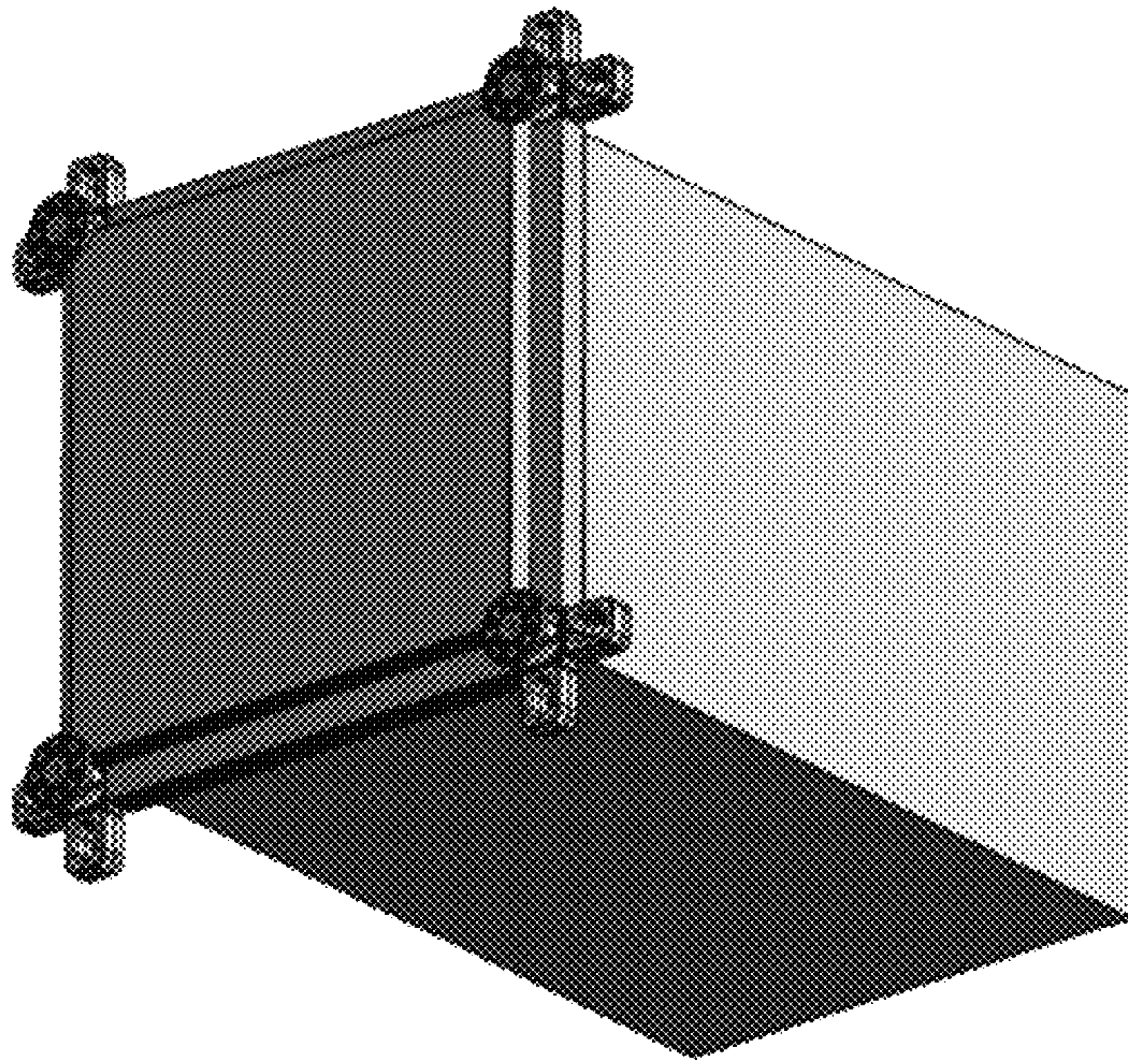


FIG. 1

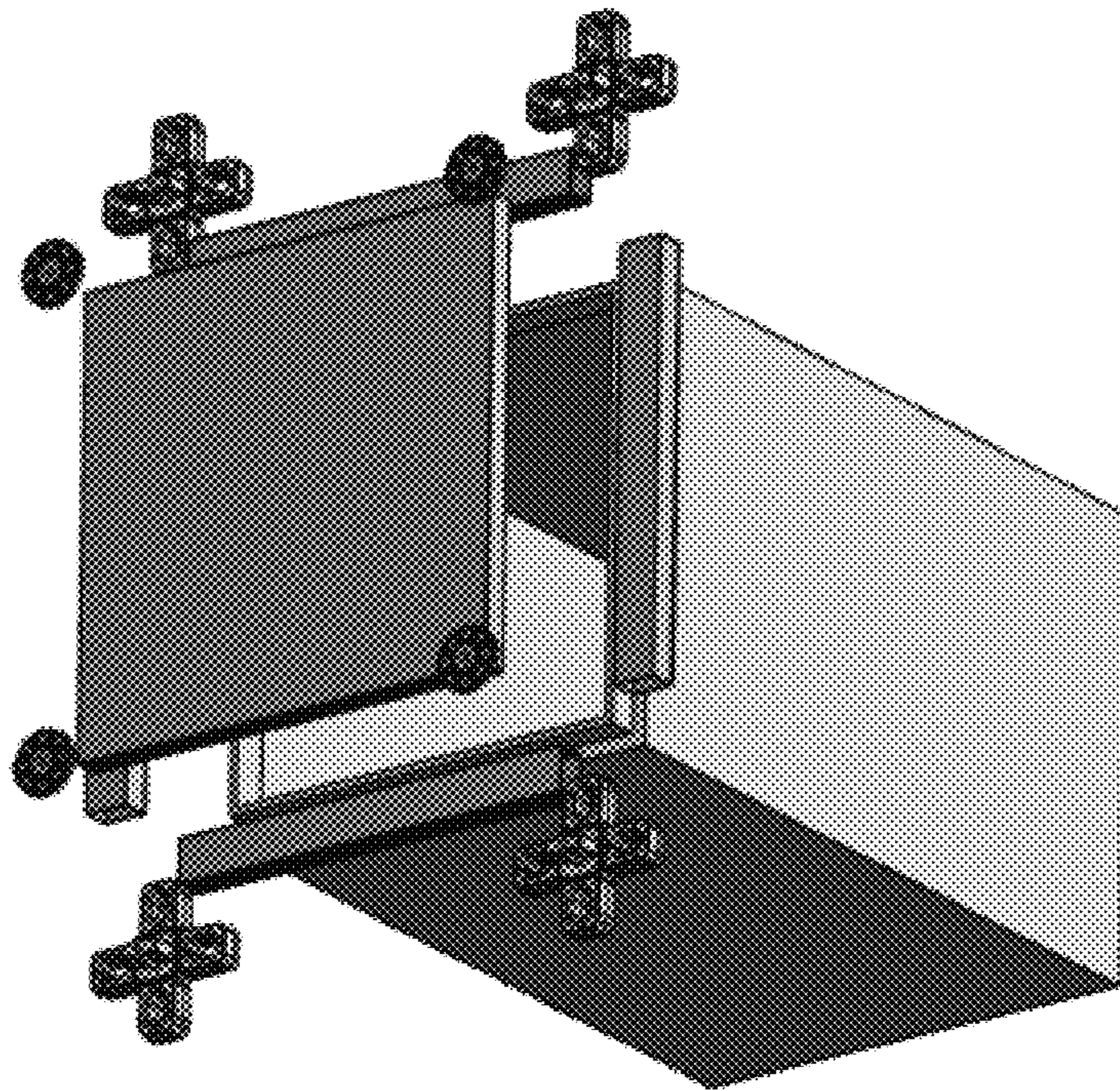


FIG. 2

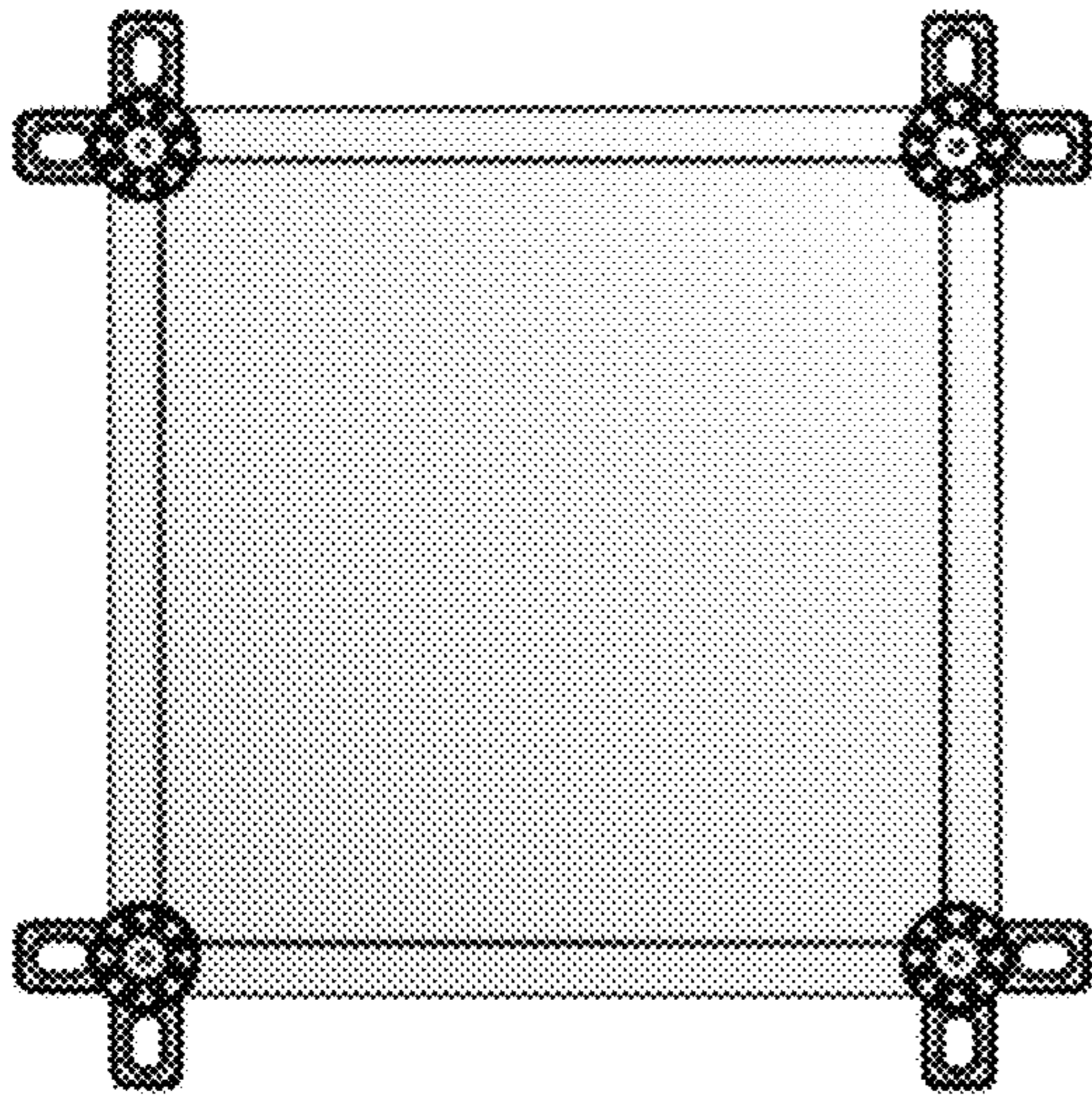


FIG. 3

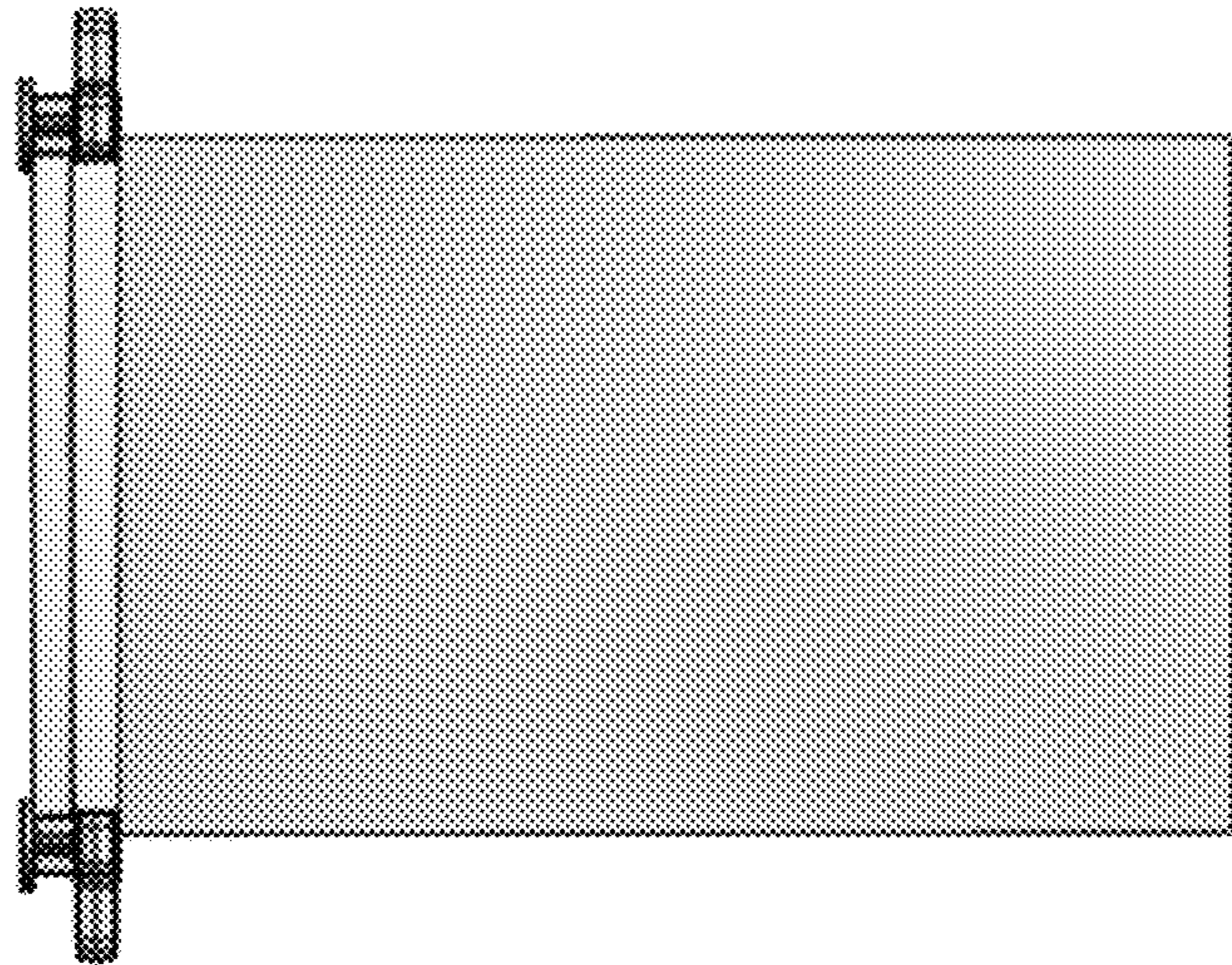


FIG. 4

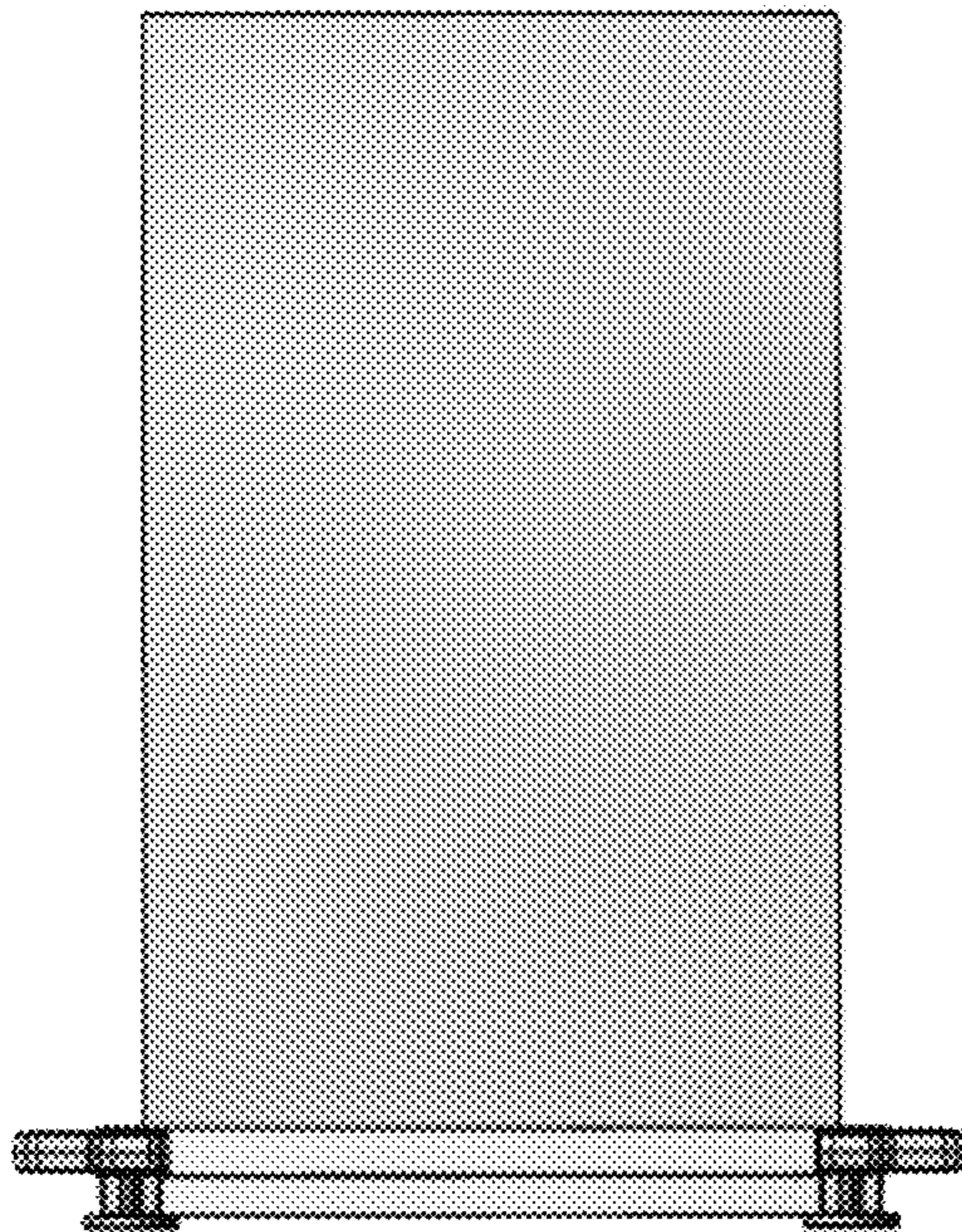


FIG. 5

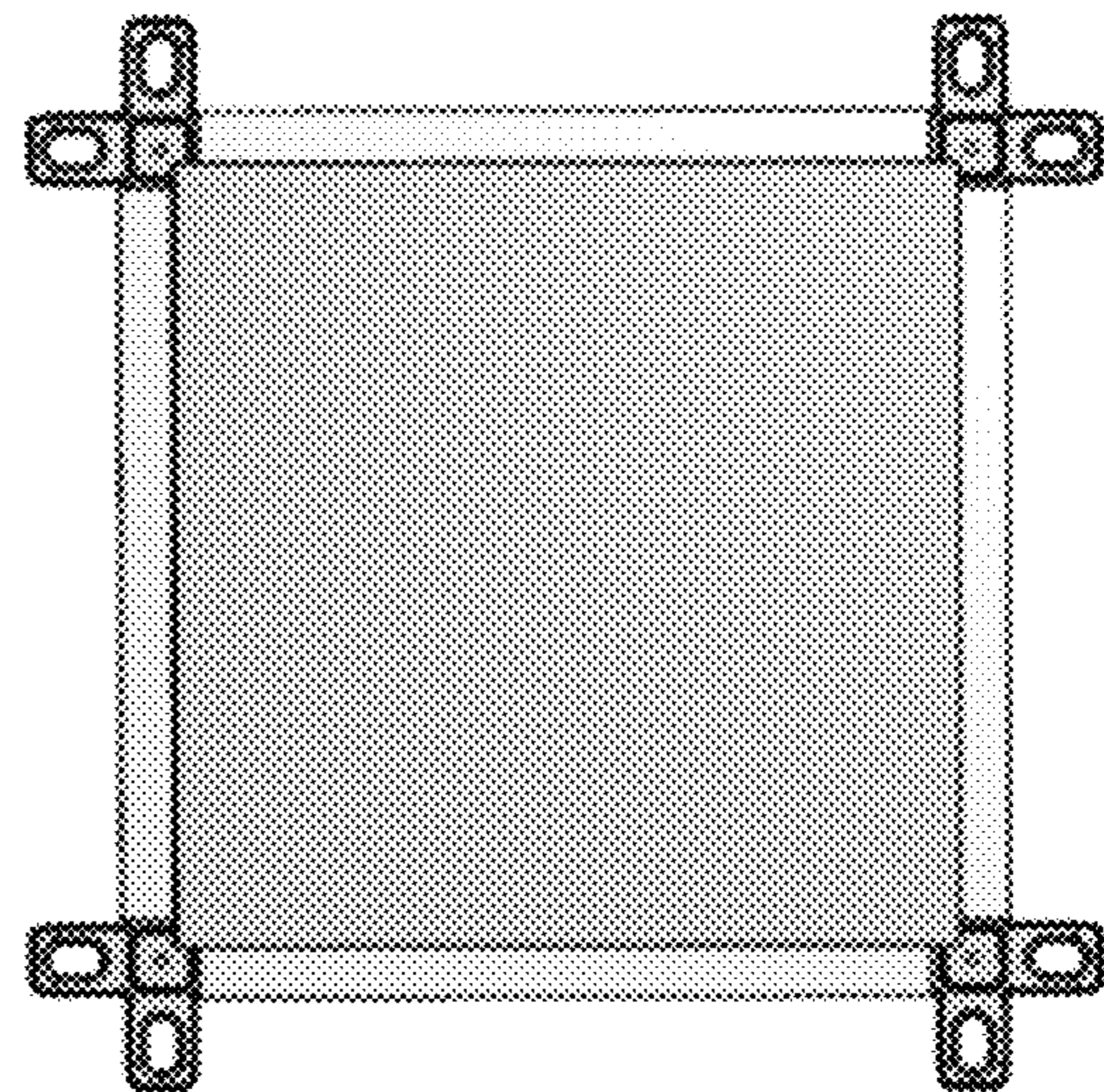


FIG. 6

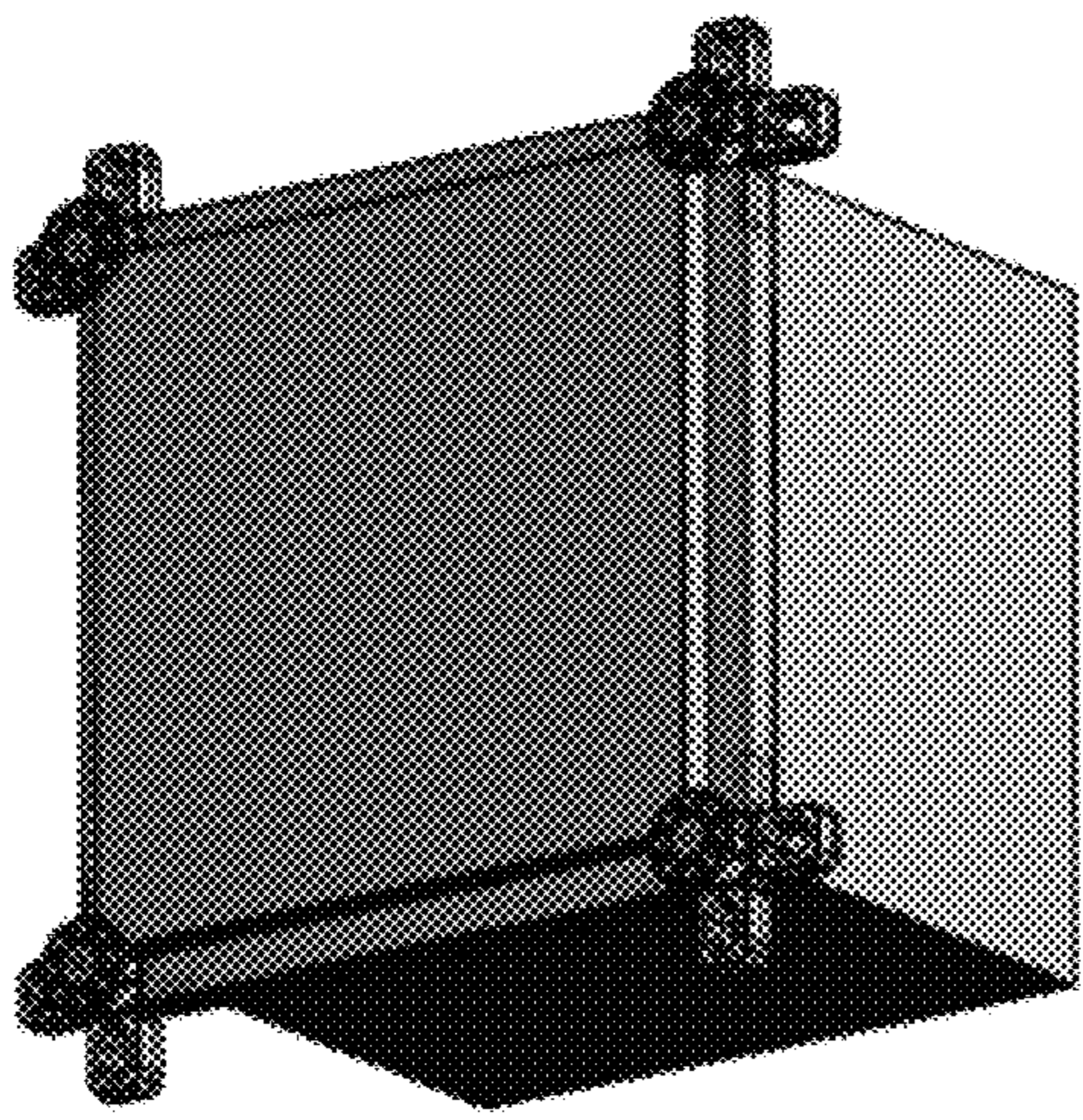


FIG. 7

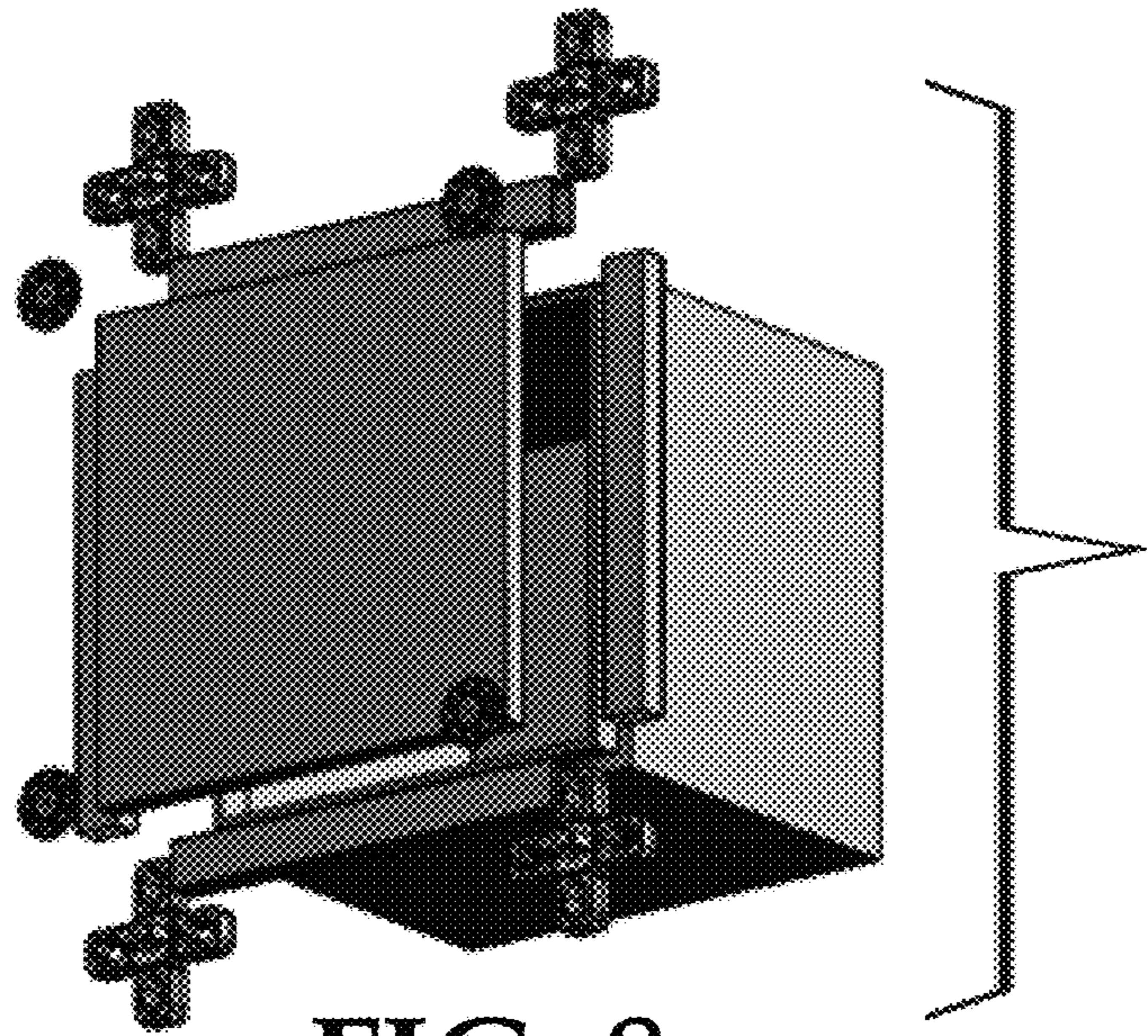


FIG. 8

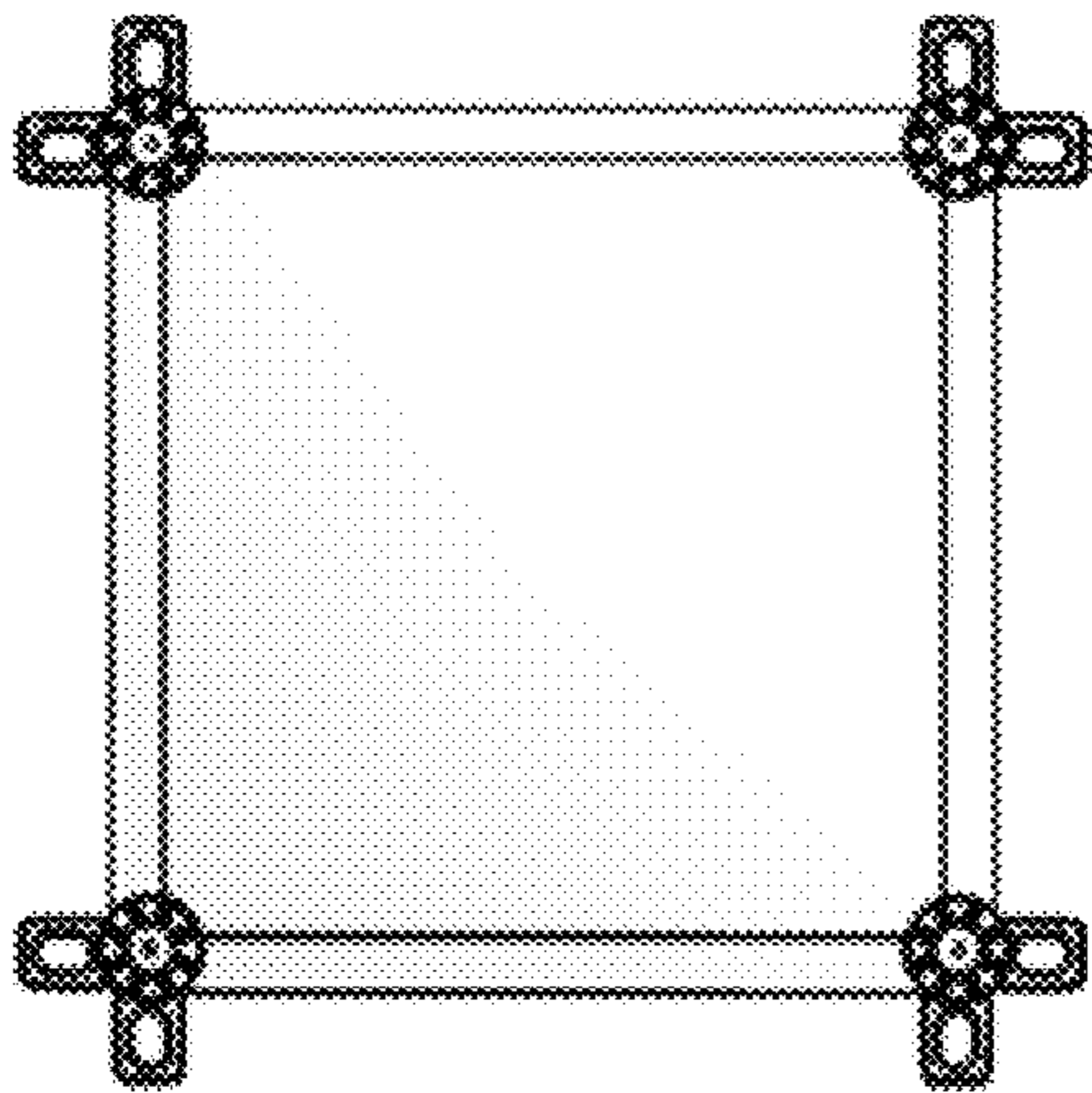


FIG. 9

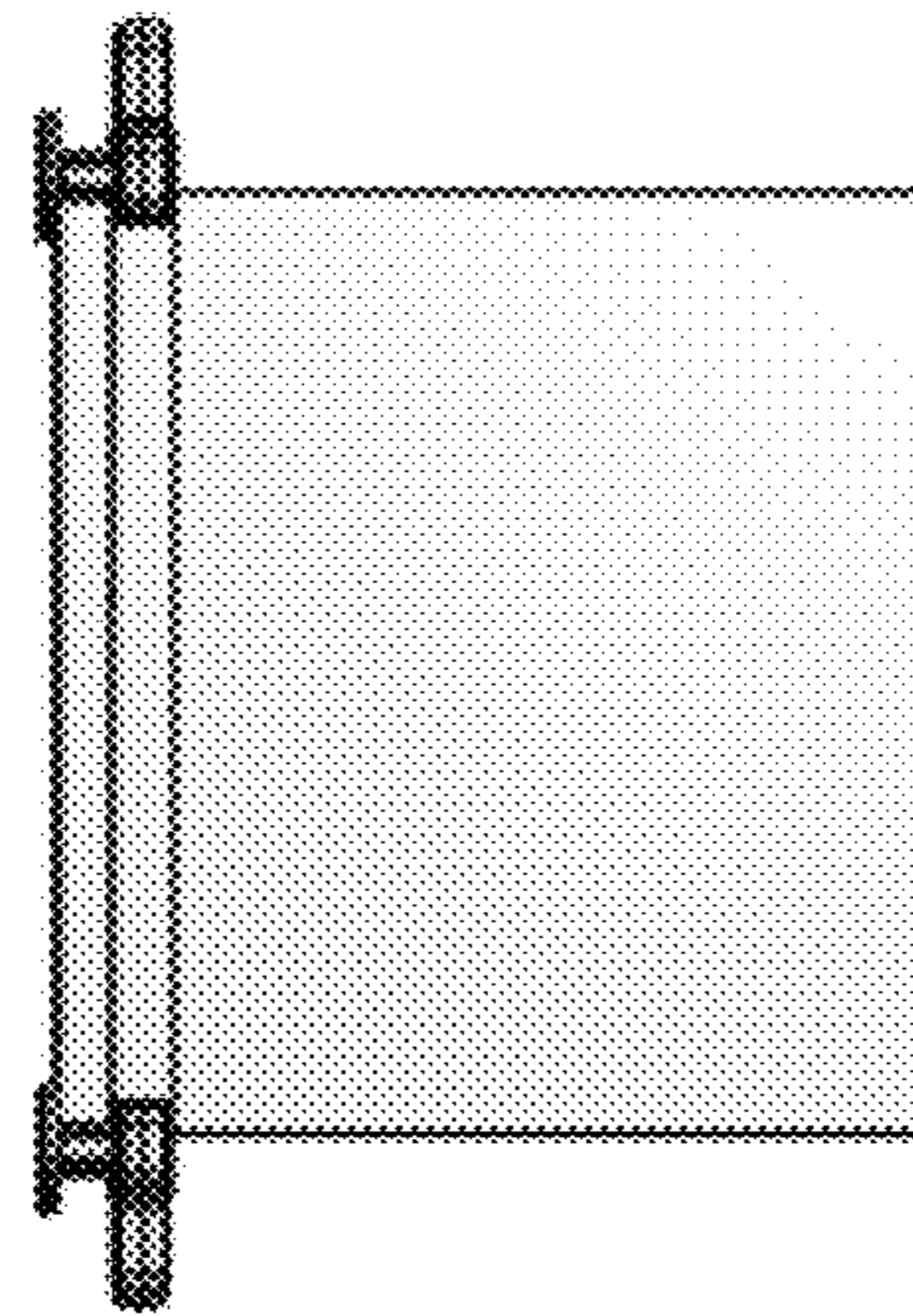


FIG. 10

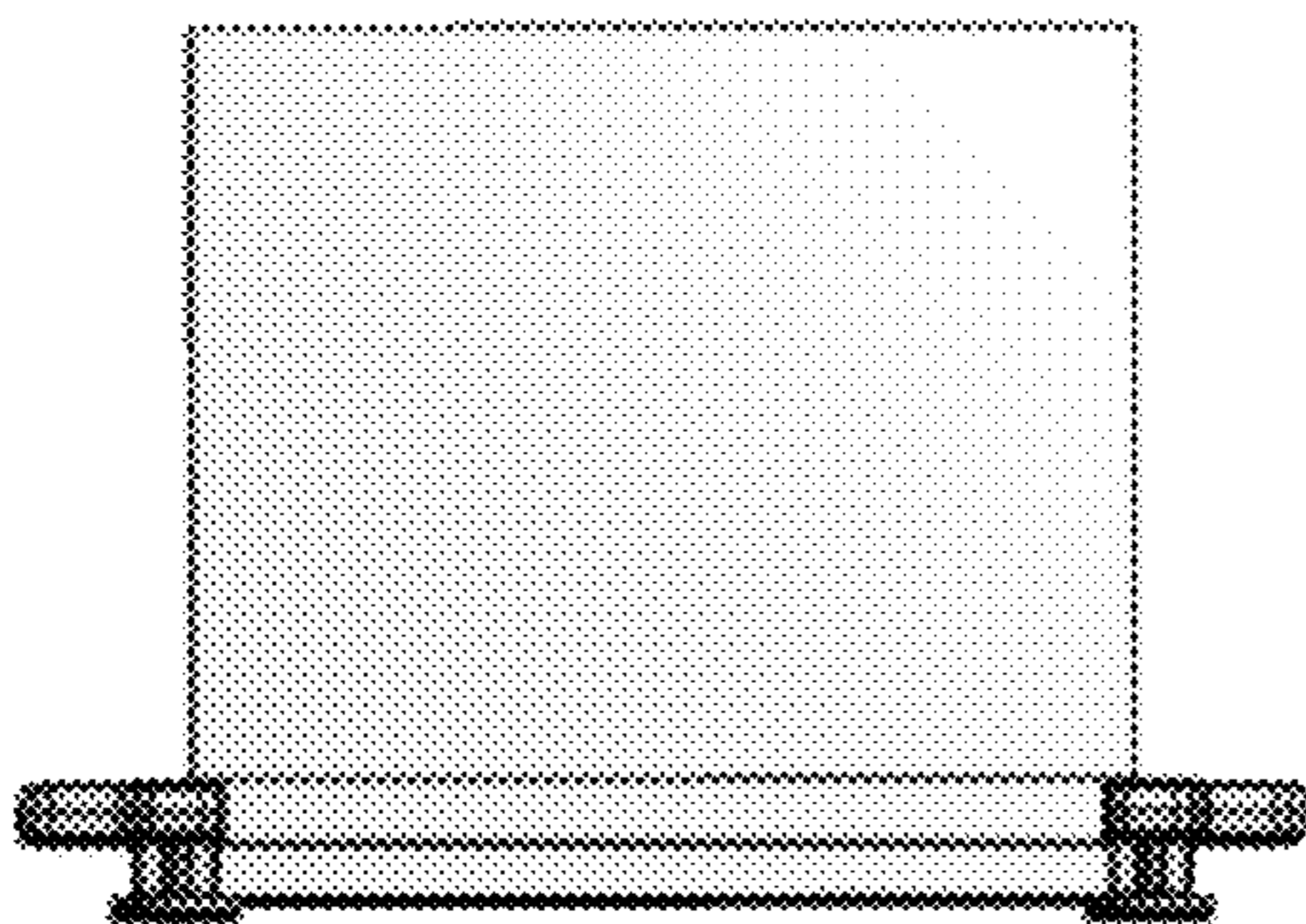


FIG. 11

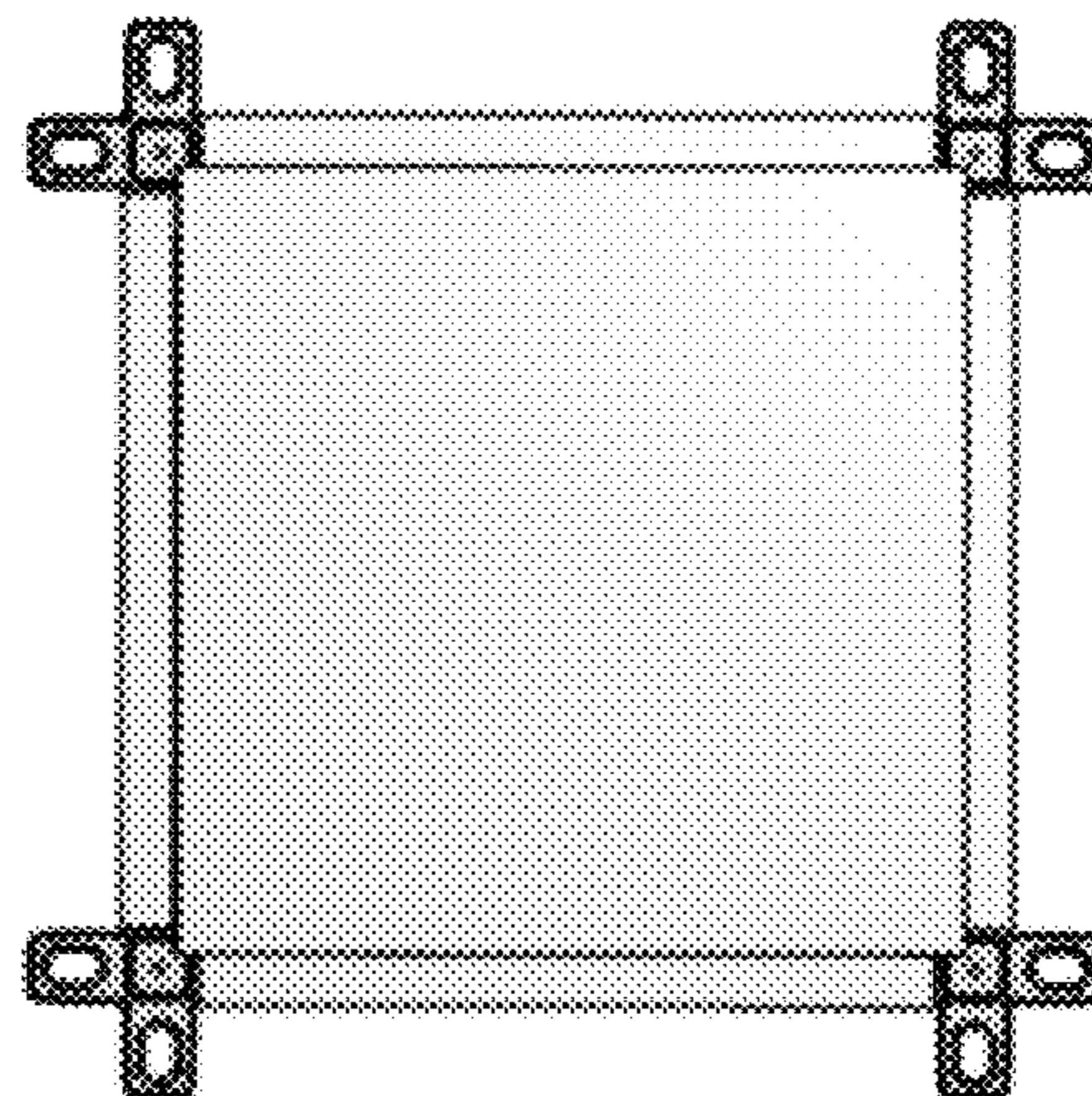


FIG. 12

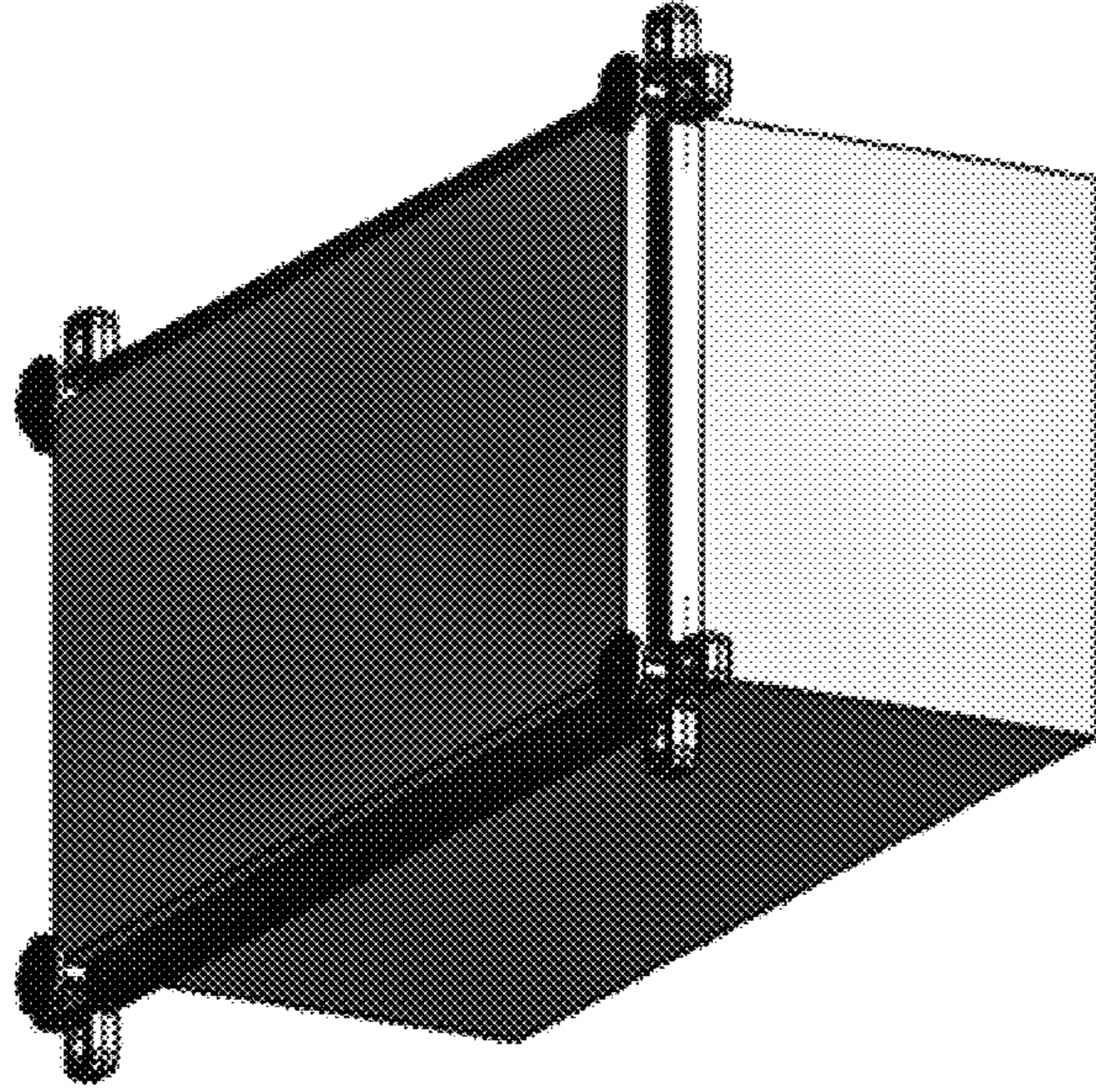


FIG. 13

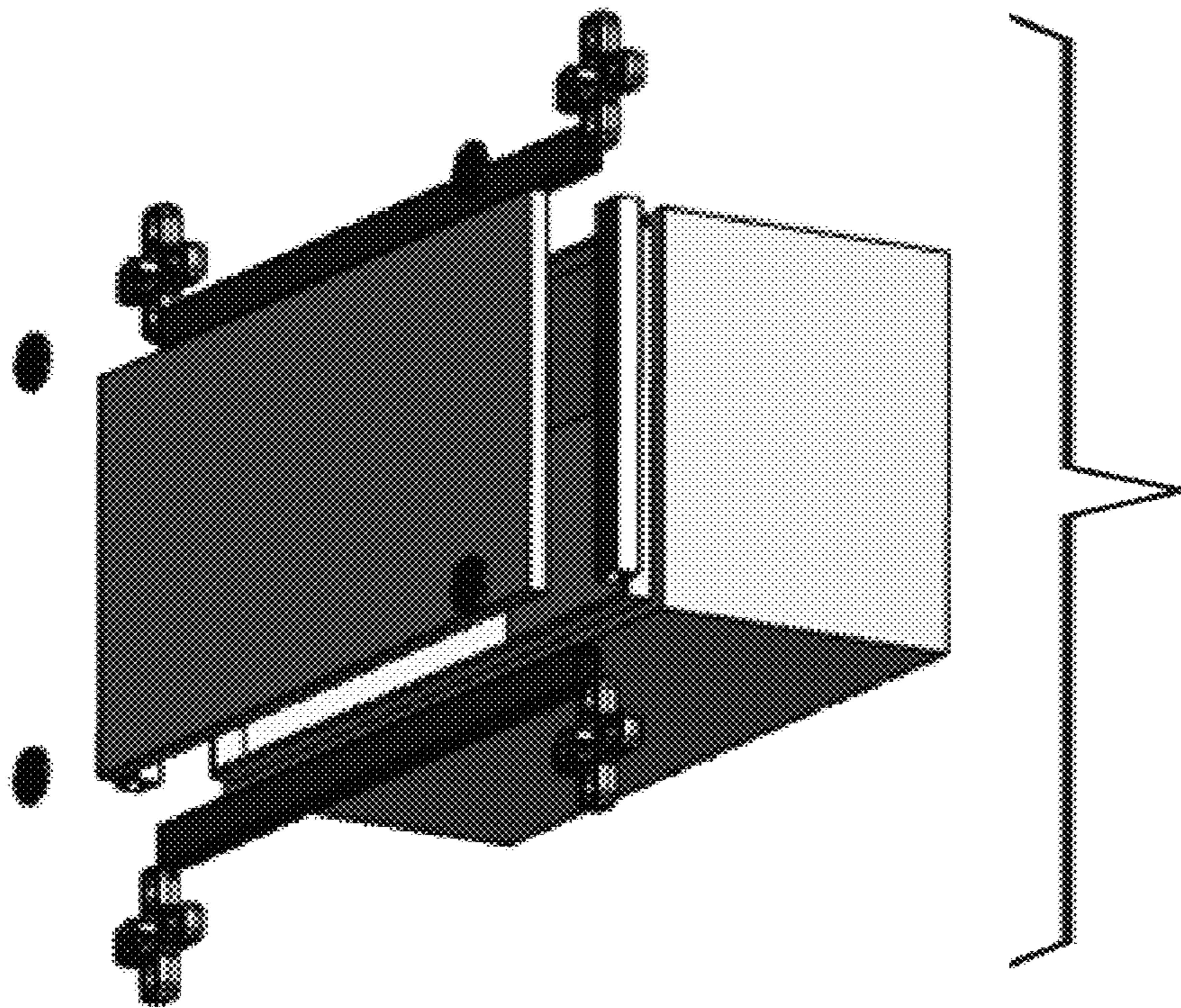


FIG. 14

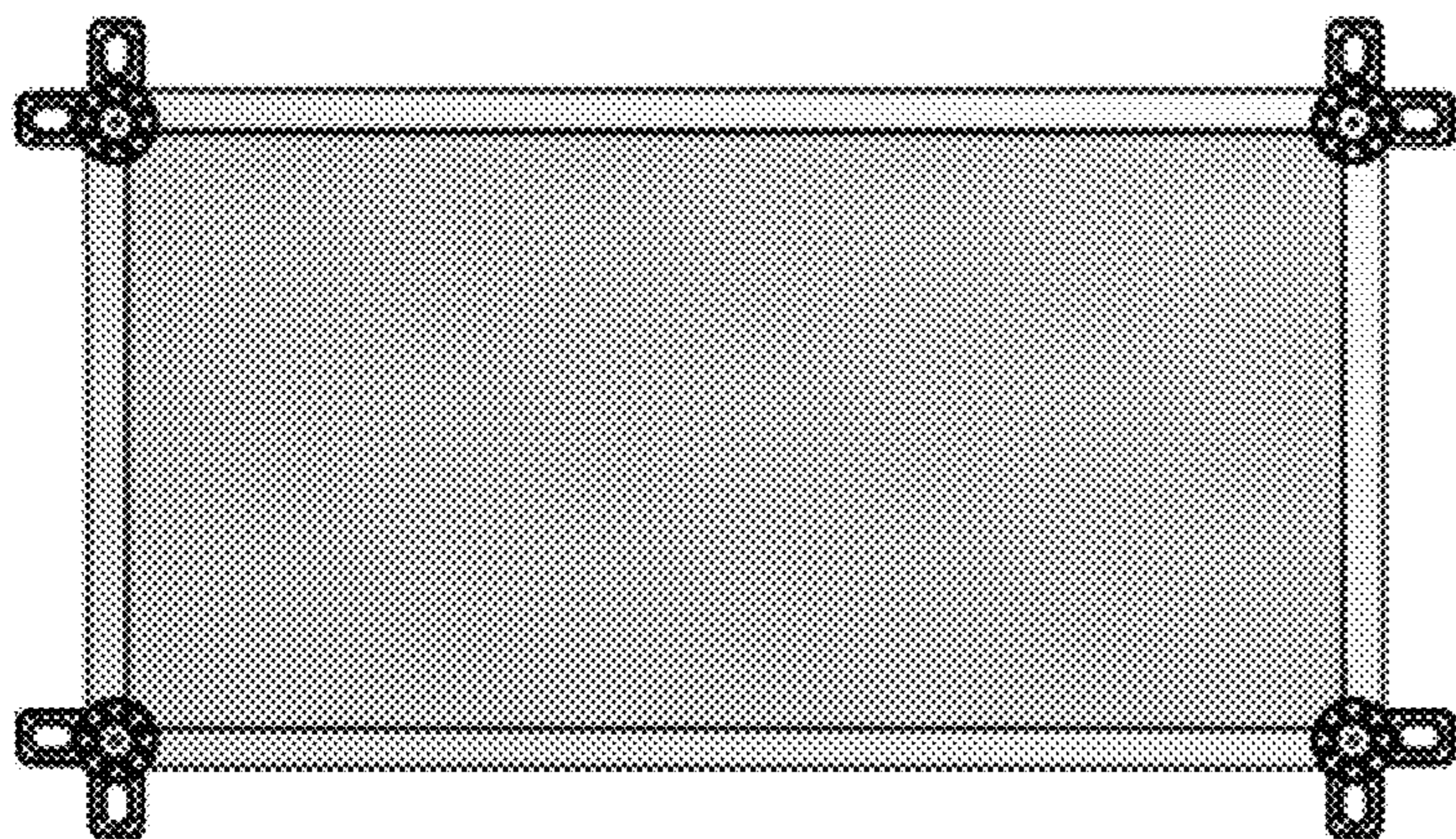


FIG. 15

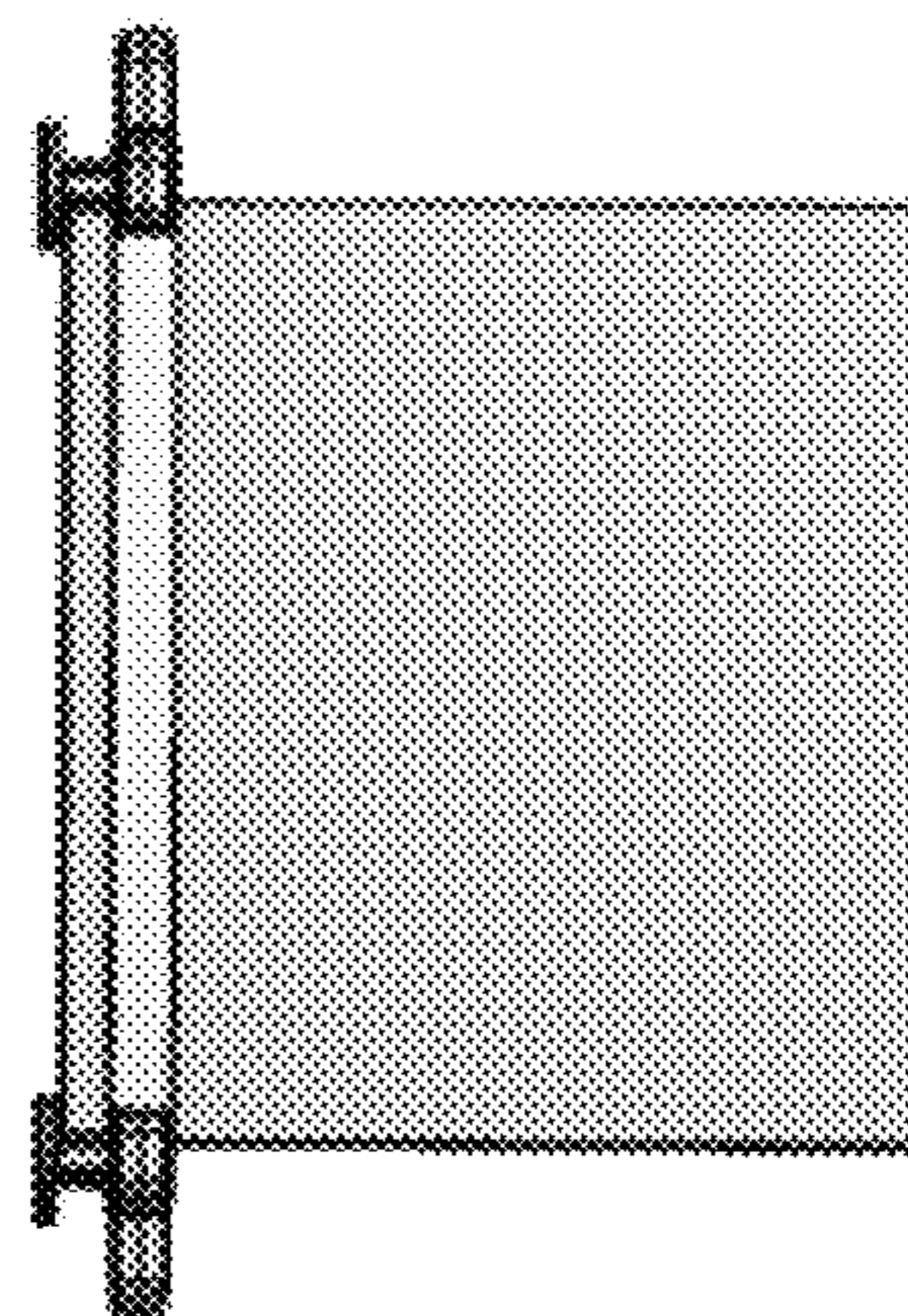


FIG. 16

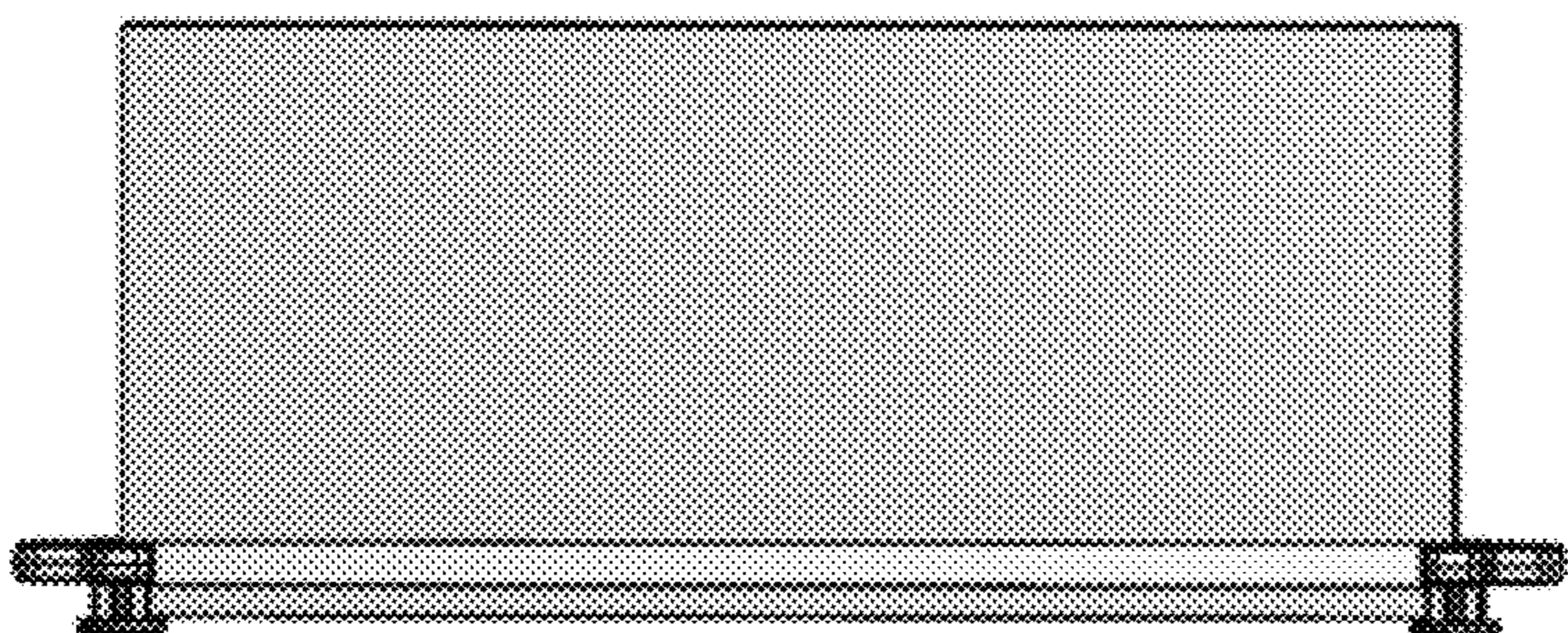


FIG. 17

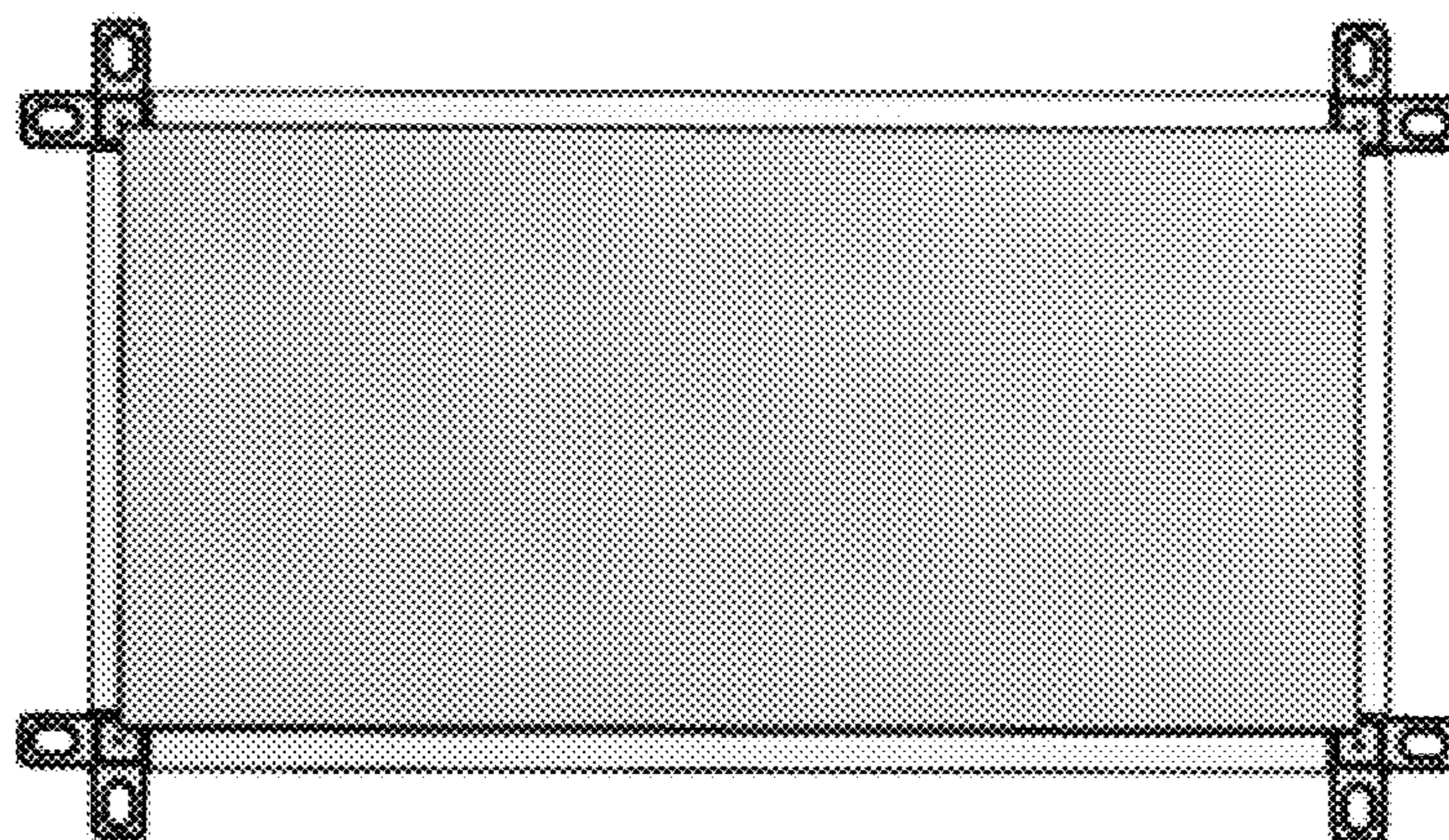


FIG. 18