

US00D891813S

(12) **United States Design Patent** (10) **Patent No.:** **US D891,813 S**  
**Bradley** (45) **Date of Patent:** **\*\* Aug. 4, 2020**

(54) **LIQUID DISPENSER HOUSING**  
(71) Applicant: **Mark Anthony Bradley**, Galway (IE)  
(72) Inventor: **Mark Anthony Bradley**, Galway (IE)  
(\*\*) Term: **15 Years**

D386,025 S \* 11/1997 Mervar ..... D6/520  
D391,104 S \* 2/1998 Tramontina ..... D6/518  
D403,905 S \* 1/1999 Tramontina ..... D6/522  
D436,272 S \* 1/2001 Andersson ..... D6/518  
D441,578 S \* 5/2001 Andersson ..... D6/518  
D619,837 S \* 7/2010 Kim ..... D6/518  
D641,578 S \* 7/2011 Meyerhoffer ..... D6/518  
D807,076 S \* 1/2018 Kapiloff ..... D6/520

(21) Appl. No.: **29/613,514**

**OTHER PUBLICATIONS**

(22) Filed: **Aug. 10, 2017**

Youtube.com, Suresave Optix—Dishwasher System, Sep. 7, 2018, <https://www.youtube.com/watch?v=wMurlKxgVr8> (Year: 2018).\*

(30) **Foreign Application Priority Data**

\* cited by examiner

Feb. 10, 2017 (GB) ..... 6007015  
Feb. 10, 2017 (GB) ..... 6007016  
Feb. 10, 2017 (GB) ..... 6007017  
Feb. 10, 2017 (GB) ..... 6007018  
Feb. 10, 2017 (GB) ..... 6007019

*Primary Examiner* — Nathan M Johnston  
(74) *Attorney, Agent, or Firm* — Brian R. Galvin; Galvin Patent Law LLC

(51) **LOC (12) Cl.** ..... **23-02**

(57) **CLAIM**

The ornamental design for a liquid dispenser housing, as shown and described.

(52) **U.S. Cl.**  
USPC ..... **D6/545**

**DESCRIPTION**

(58) **Field of Classification Search**  
USPC ..... D6/545, 515–523; 211/13.1, 16, 44, 211/49.1, 50, 59.2, 86.01; 206/389, 391; 221/282, 283; 222/173, 181.1; 312/34, 312/34.8, 34.22, 309.1  
CPC ..... A47K 5/14; A47K 5/1217; A47K 5/12; B05B 11/3087; B05B 7/0037  
See application file for complete search history.

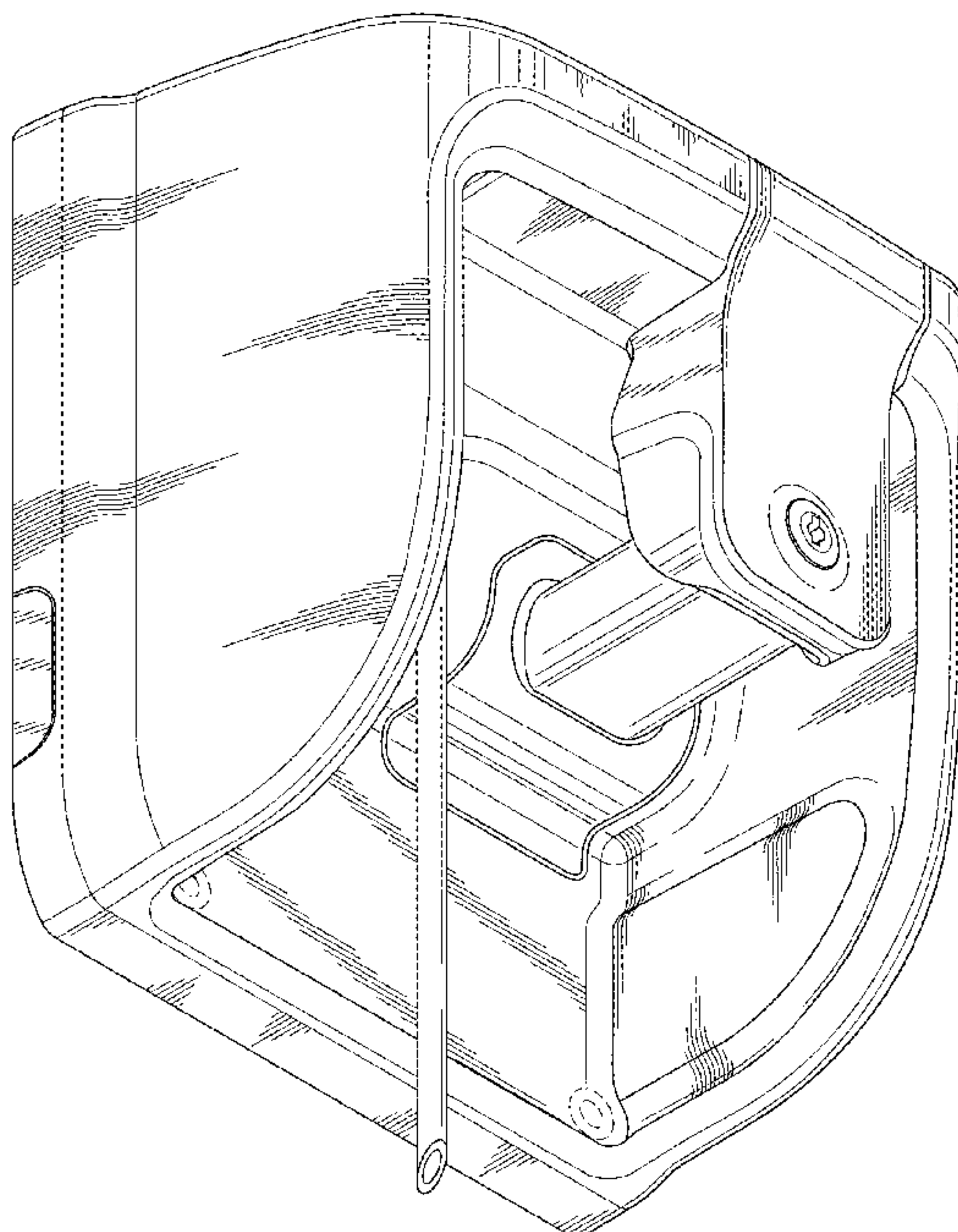
FIG. 1 is a front elevation view of a liquid dispenser housing showing my new design.  
FIG. 2 is a top plan view thereof.  
FIG. 3 is a bottom plan view thereof.  
FIG. 4 is a right side elevation view thereof.  
FIG. 5 is a top right perspective view of the liquid dispenser housing with a fastener in a first position.  
FIG. 6 is a top right perspective view of the liquid dispenser housing with a fastener in a second position; and,  
FIG. 7 is a perspective view from below of the liquid dispenser housing with a fastener in a first position.  
The broken lines define the bounds of the claimed design form no part thereof.

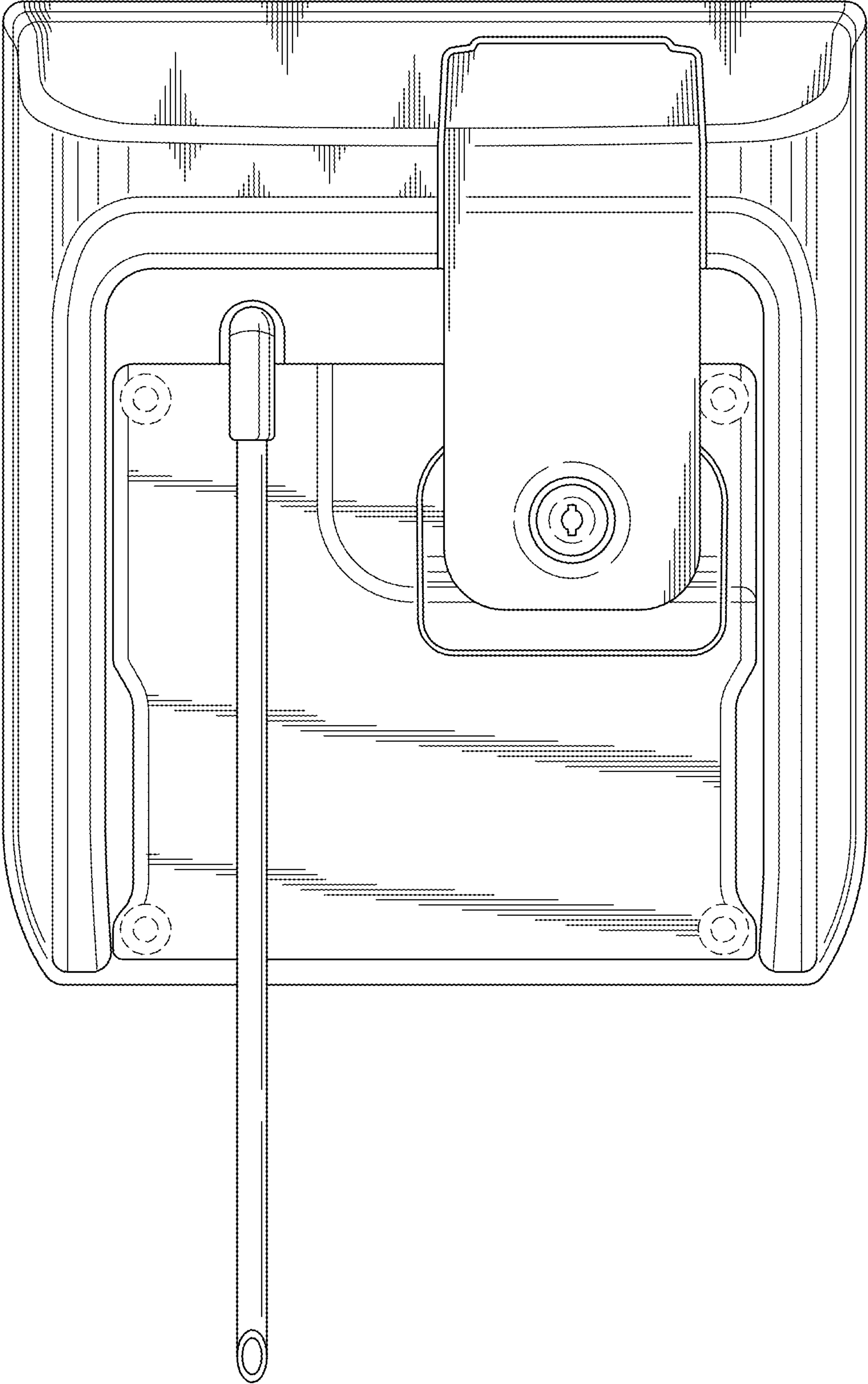
(56) **References Cited**

**U.S. PATENT DOCUMENTS**

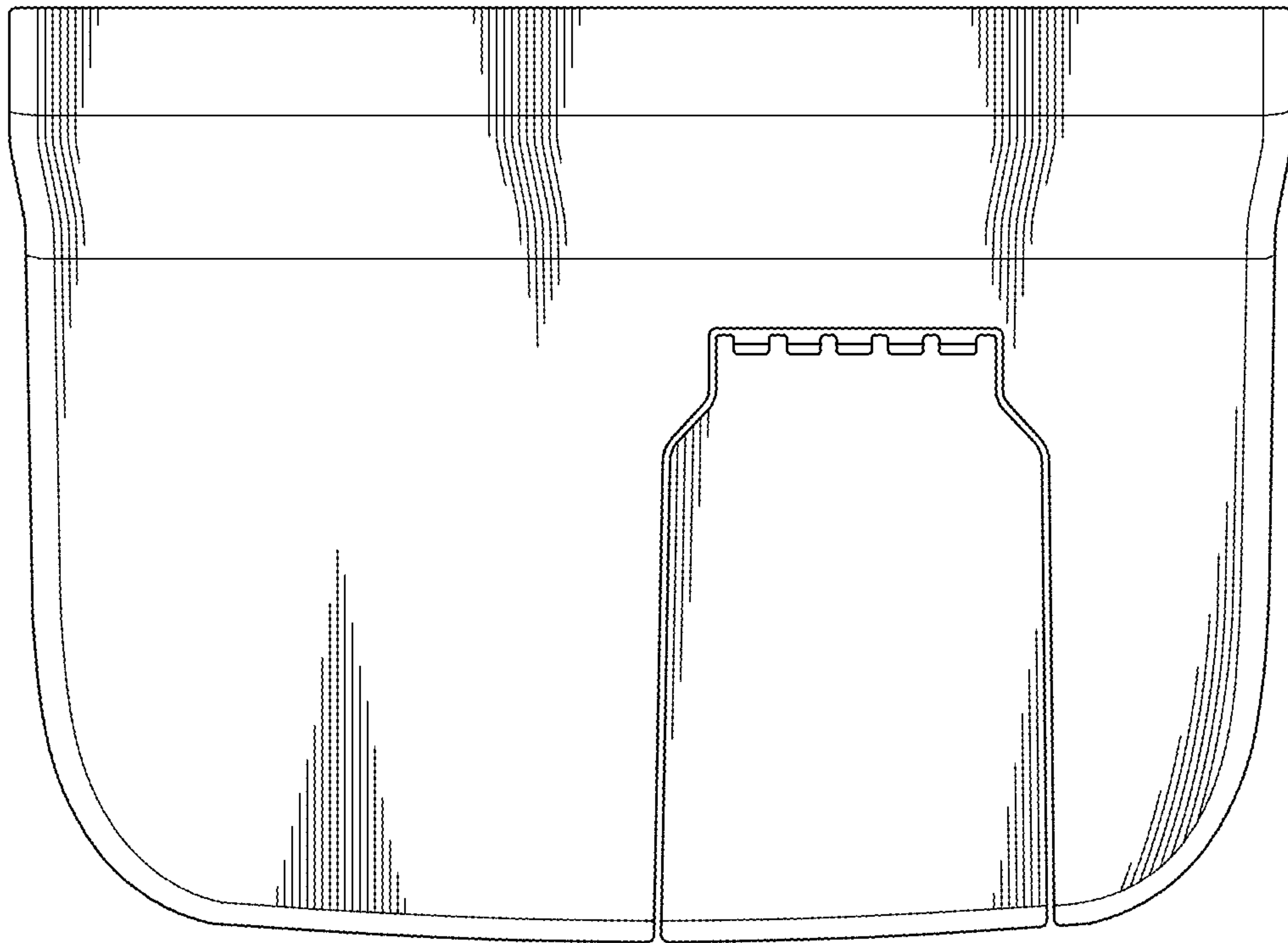
D204,594 S \* 5/1966 Yerkovich ..... D6/545  
D331,857 S \* 12/1992 Futo ..... D6/545  
D360,092 S \* 7/1995 Frazier ..... D6/518  
D362,779 S \* 10/1995 Chen ..... D6/518

**1 Claim, 7 Drawing Sheets**

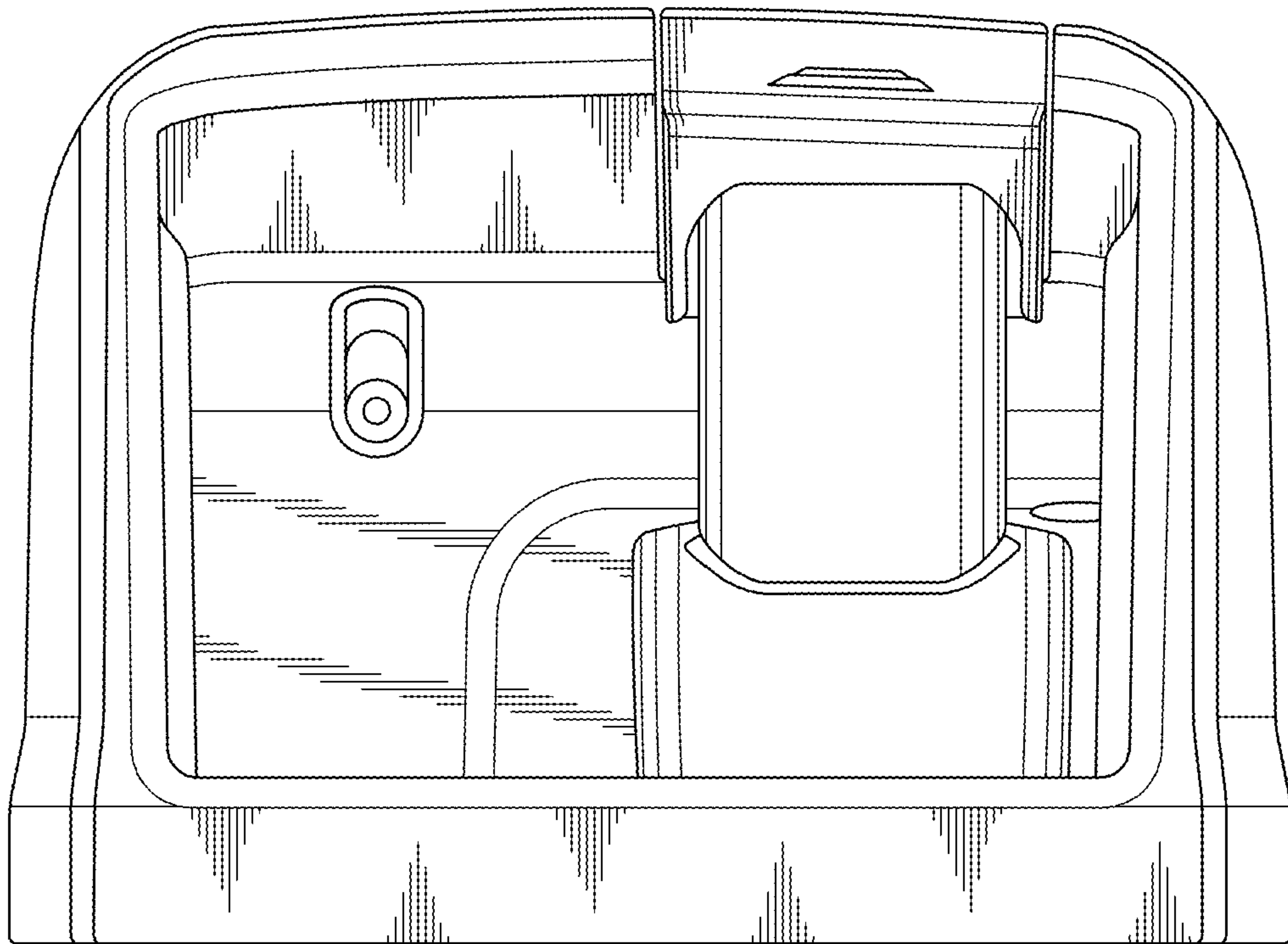




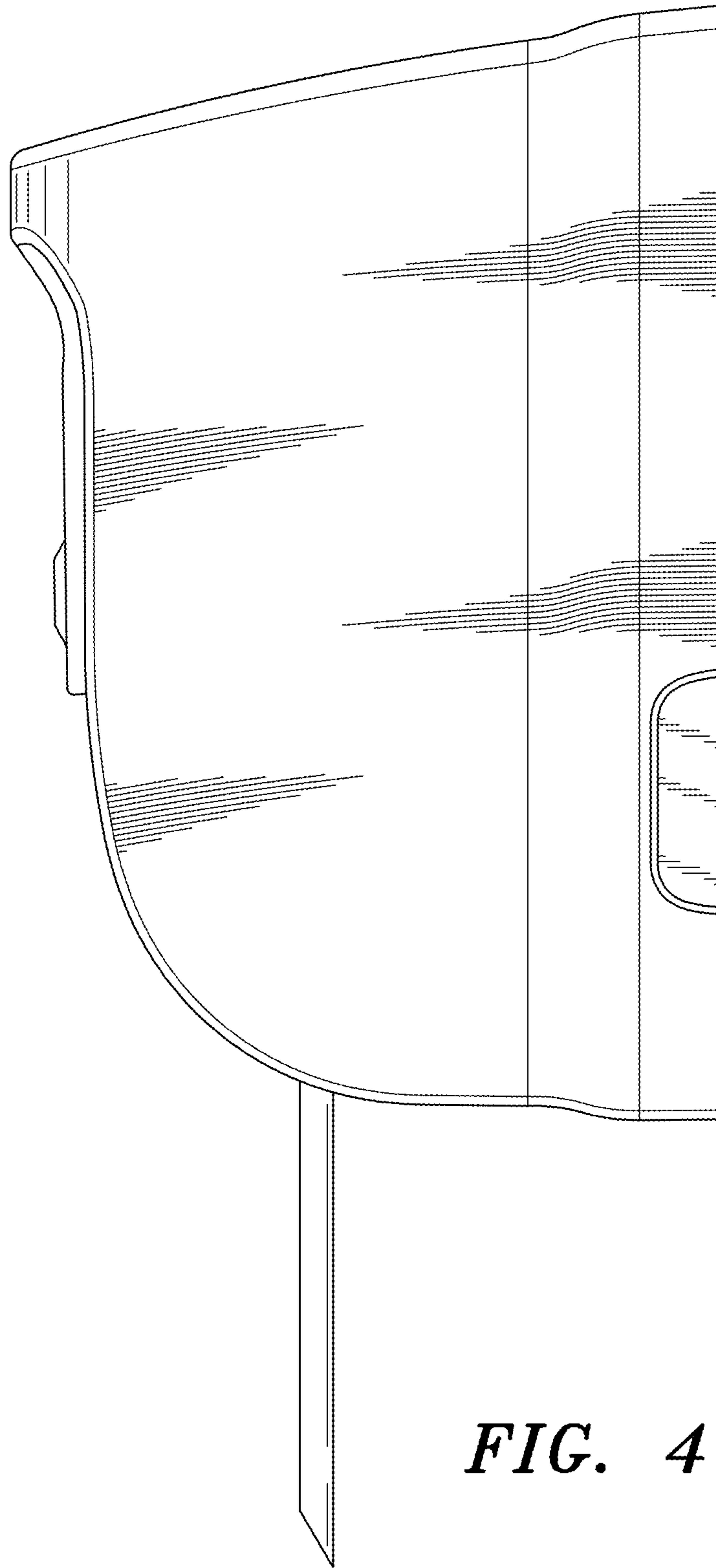
**FIG. 1**



*FIG. 2*

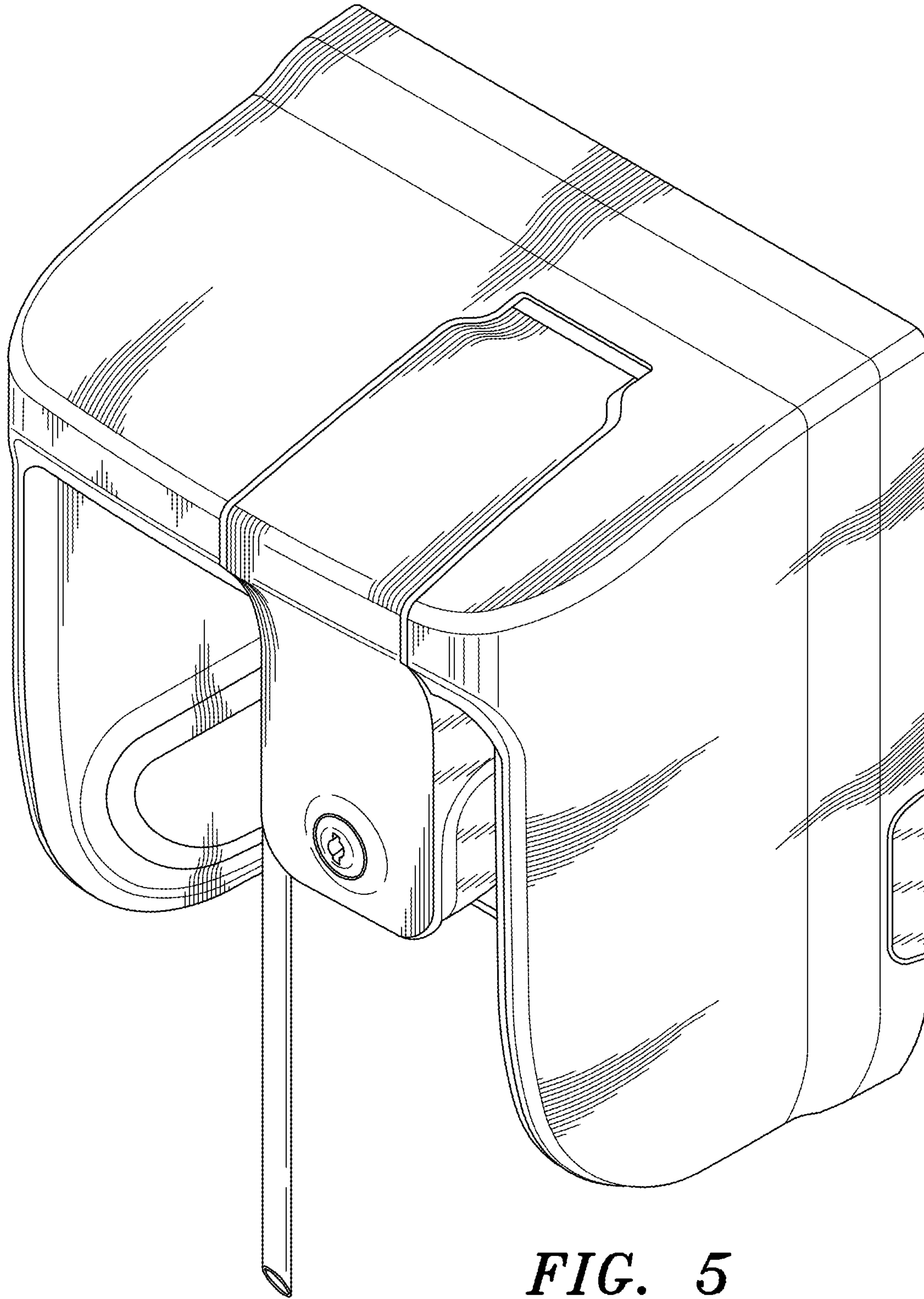


*FIG. 3*

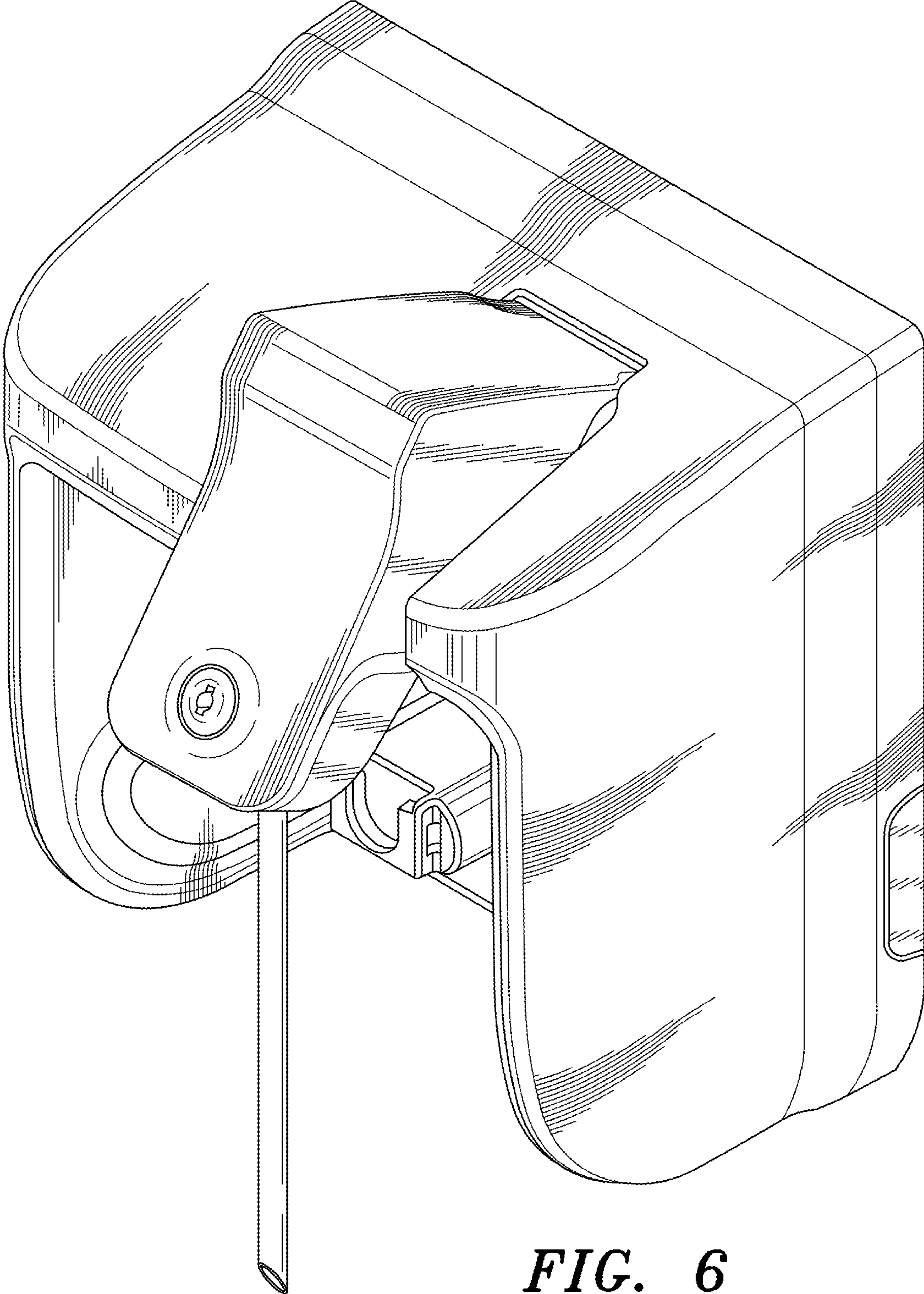


*FIG. 4*

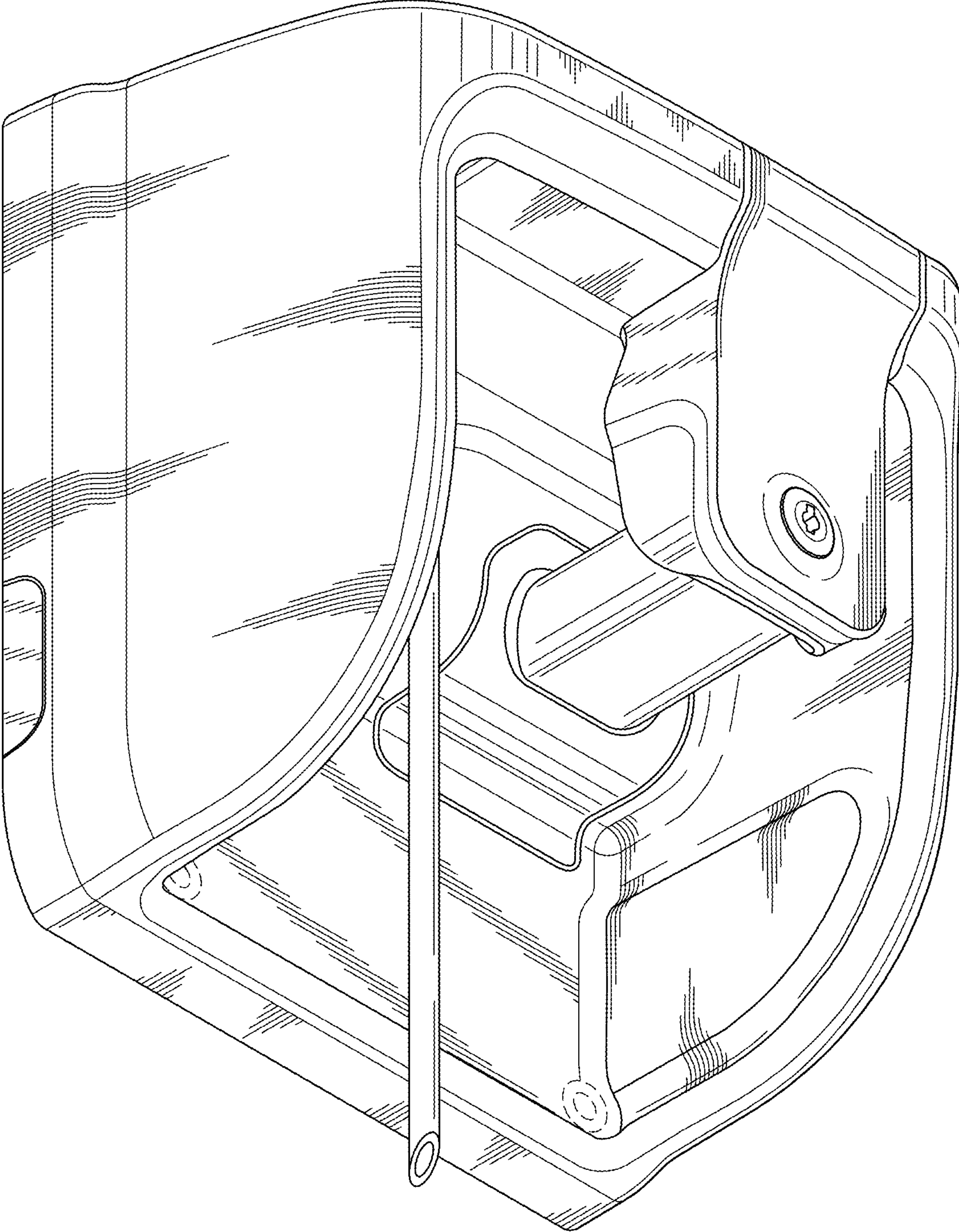




**FIG. 5**



**FIG. 6**



**FIG. 7**