



US00D891812S

(12) **United States Design Patent**
Gee, II

(10) **Patent No.:** **US D891,812 S**

(45) **Date of Patent:** **** Aug. 4, 2020**

(54) **PAPER TOWEL HOLDER**

(71) Applicant: **Spectrum Diversified Designs, LLC**,
Streetsboro, OH (US)

(72) Inventor: **Jack W. Gee, II**, Willoughby, OH (US)

(73) Assignee: **SPECTRUM DIVERSIFIED**
DESIGNS, LLC, Streetsboro, OH (US)

(**) Term: **15 Years**

(21) Appl. No.: **29/681,615**

(22) Filed: **Feb. 27, 2019**

(51) **LOC (12) Cl.** **20-02**

(52) **U.S. Cl.**
USPC **D6/523**

(58) **Field of Classification Search**
USPC D6/523, 521, 518-520, 552; 206/389,
206/391, 407, 409; 211/13.1, 45, 59.1,
211/89.01, 16, 85.5, 59.2; 248/309.1,
248/309.2; 312/34.1, 34.8; 221/92, 97,
221/185, 282, 284; 242/15, 160.2, 550,
242/560, 590, 595
CPC A47K 10/04; A47K 10/02; A47K 10/10;
A47K 10/3836; A47K 2010/324; A47K
2010/389; B08B 1/006

See application file for complete search history.

(56) **References Cited**

U.S. PATENT DOCUMENTS

D455,034 S * 4/2002 Ou-Young D6/523
D608,576 S * 1/2010 Goodman D6/522

D739,158 S * 9/2015 Pan D6/518
D798,630 S * 10/2017 Kovaleff D6/523
2017/0135534 A1 * 5/2017 Shaw A47K 10/405
2017/0273516 A1 * 9/2017 McNicholas A47K 10/22

OTHER PUBLICATIONS

Spectrum Shell Plastic Wall Mount Paper Towel Holder—White,
Target.com website page, <https://www.target.com/p/spectrum-shell-plastic-wall-mount-paper-towel-holder-white/-/A-16687160>, Feb. 26,
2019, 5 pages.

* cited by examiner

Primary Examiner — Wan Laymon

Assistant Examiner — Mark Booker

(74) *Attorney, Agent, or Firm* — Tucker Ellis LLP

(57) **CLAIM**

The ornamental design for a paper towel holder, as shown
and described.

DESCRIPTION

FIG. 1 is a perspective view of a paper towel holder showing
my new design.

FIG. 2 is a front view thereof.

FIG. 3 is a rear view thereof.

FIG. 4 is a right side view thereof.

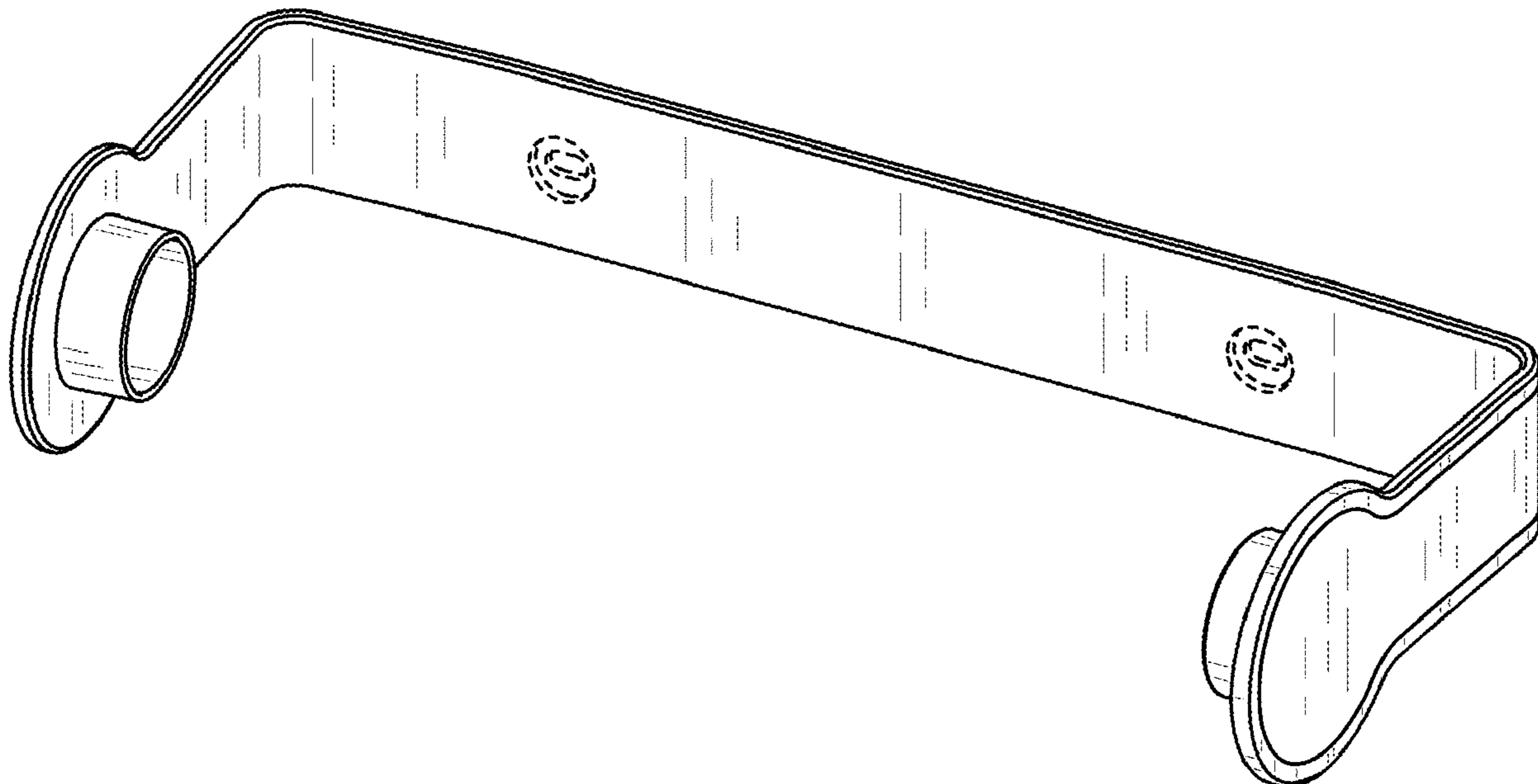
FIG. 5 is a left side view thereof.

FIG. 6 is a top view thereof; and,

FIG. 7 is a bottom view thereof.

The broken lines show portions of the design that form no
part of the claimed design.

1 Claim, 4 Drawing Sheets



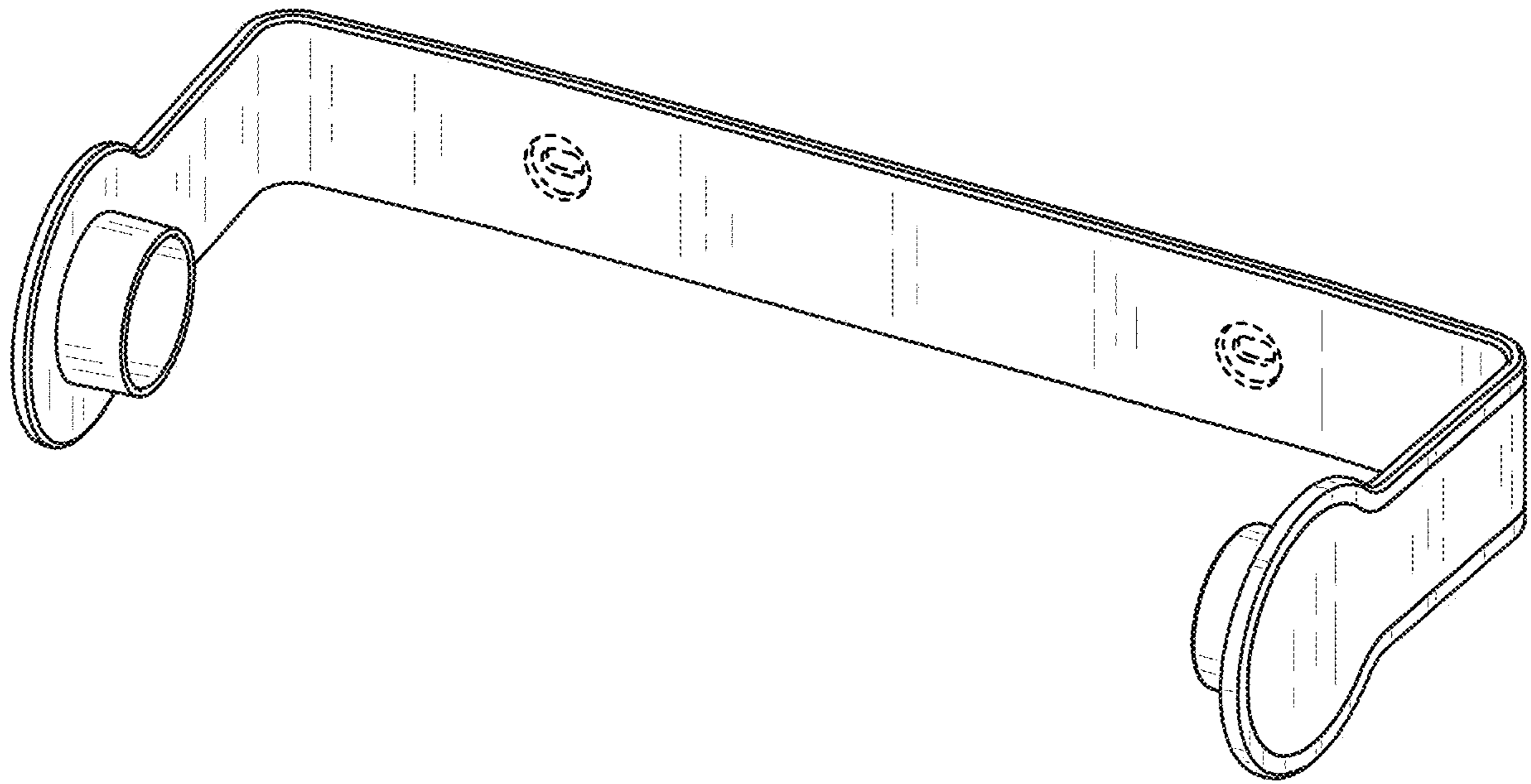


FIG. 1

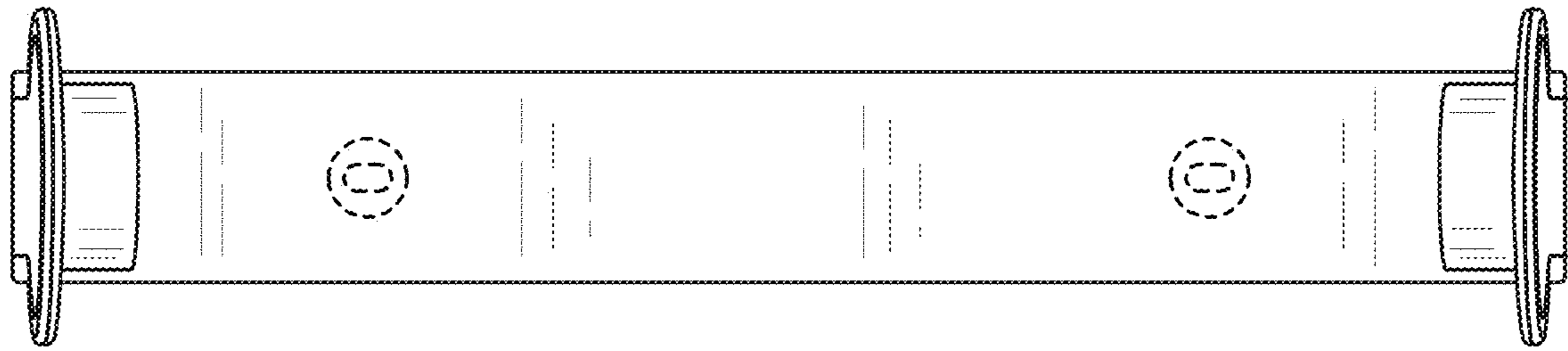


FIG. 2

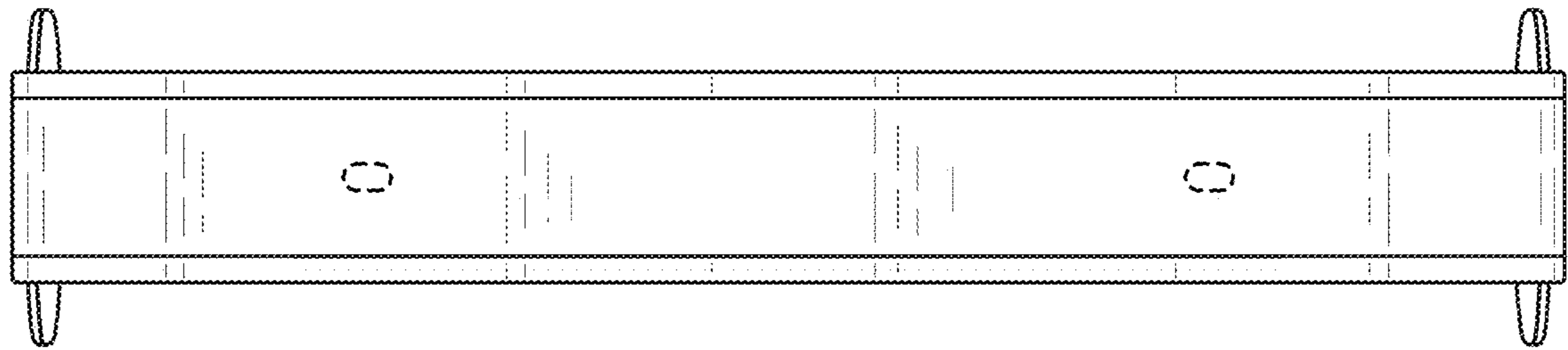


FIG. 3

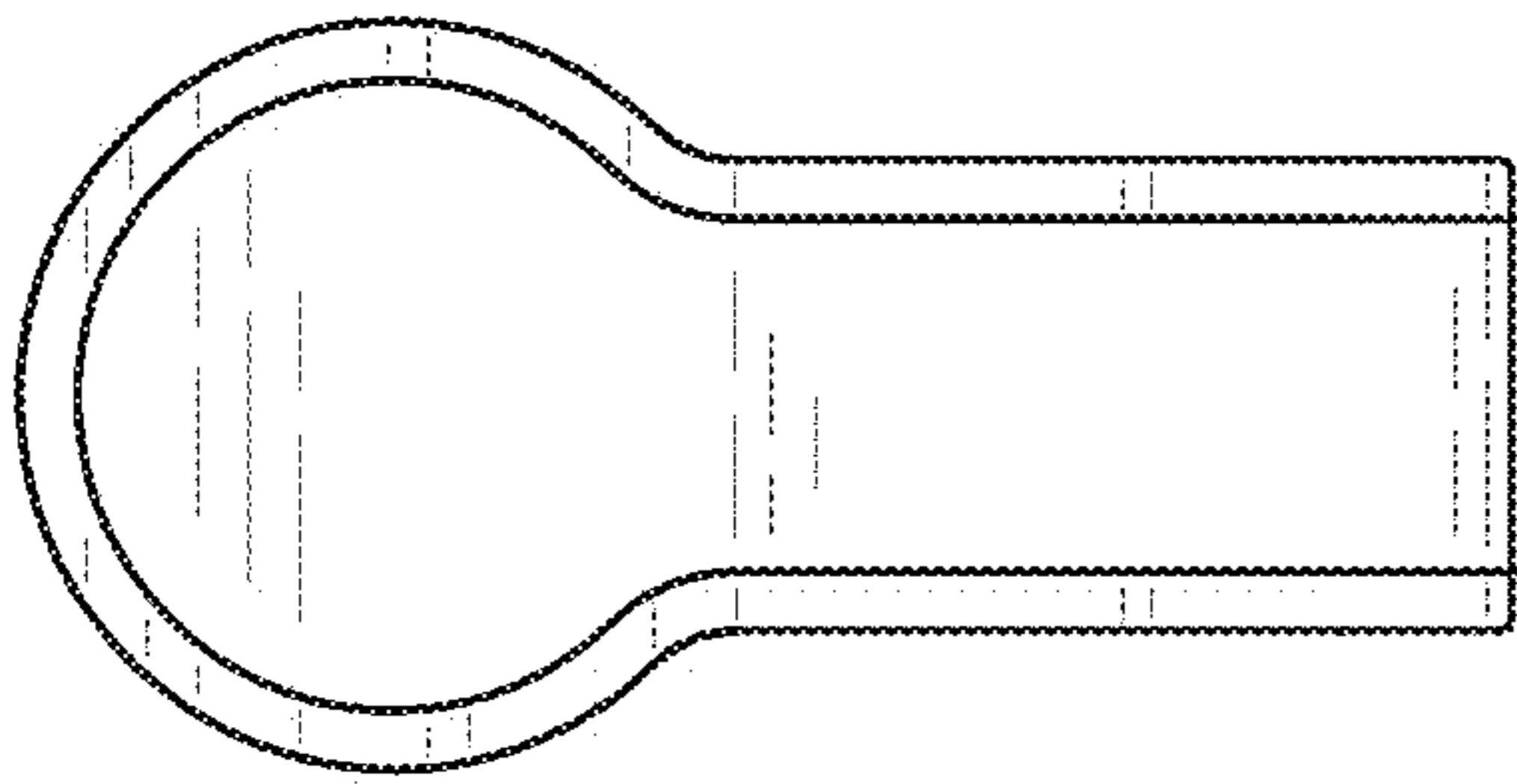


FIG. 4

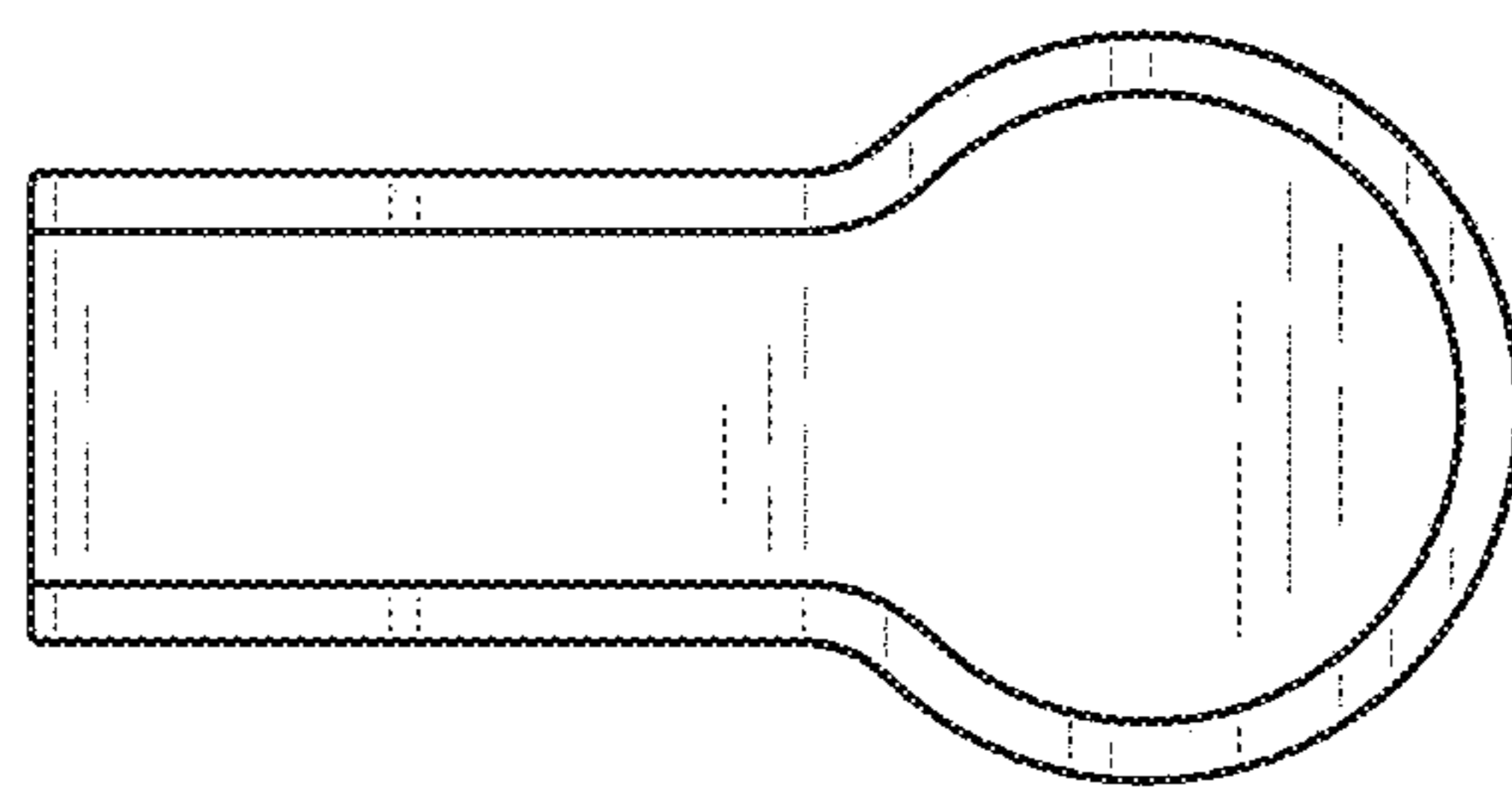


FIG. 5



FIG. 6



FIG. 7