



US00D891811S

(12) **United States Design Patent**  
**Cheung**

(10) **Patent No.:** **US D891,811 S**

(45) **Date of Patent:** **\*\* Aug. 4, 2020**

- (54) **WASTE CASSETTE**
- (71) Applicant: **Edgewell Personal Care Brands, LLC**, Chesterfield, MO (US)
- (72) Inventor: **Michael Cheung**, Shelton, CT (US)
- (73) Assignee: **ANGELCARE USA, LLC**, Newark, DE (US)
- (\*\*) Term: **15 Years**
- (21) Appl. No.: **29/680,102**
- (22) Filed: **Feb. 13, 2019**
- (51) **LOC (12) Cl.** ..... **06-06**
- (52) **U.S. Cl.**  
USPC ..... **D6/515**
- (58) **Field of Classification Search**  
USPC ..... D6/515, 518; D7/354, 357, 359, 677;  
D34/10; 53/549, 567, 576; 206/303,  
206/390, 397, 409; D32/37  
CPC .. B65F 2240/132; B65F 1/062; B65F 1/0006;  
B65F 1/06; B65F 1/16; B65F 2210/167;  
B65F 1/1646; B32B 2439/46; A41B  
2400/52; B65B 67/1277; B65B 9/20;  
B65B 67/1266; B65B 43/267  
See application file for complete search history.

D705,566 S *	5/2014	Morand	.....	D6/515
D705,567 S *	5/2014	Morand	.....	D6/515
D705,568 S *	5/2014	Morand	.....	D6/515
D706,055 S *	6/2014	Morand	.....	D6/515
D795,606 S *	8/2017	Cudworth	.....	D6/515
D808,680 S *	1/2018	Dunn	.....	D6/515

\* cited by examiner

*Primary Examiner* — Wan Laymon

*Assistant Examiner* — Mark Booker

(74) *Attorney, Agent, or Firm* — Norton Rose Fulbright  
US LLP

(57) **CLAIM**

The ornamental design for a waste cassette, as shown and described.

**DESCRIPTION**

FIG. 1 is a bottom perspective view of the waste cassette, showing my new design;  
 FIG. 2 is a top perspective view thereof;  
 FIG. 3 is a top view thereof;  
 FIG. 4 is a bottom view thereof;  
 FIG. 5 is a left side elevation view thereof;  
 FIG. 6 is a right side elevation view thereof;  
 FIG. 7 is a front view thereof; and,  
 FIG. 8 is a back view thereof.

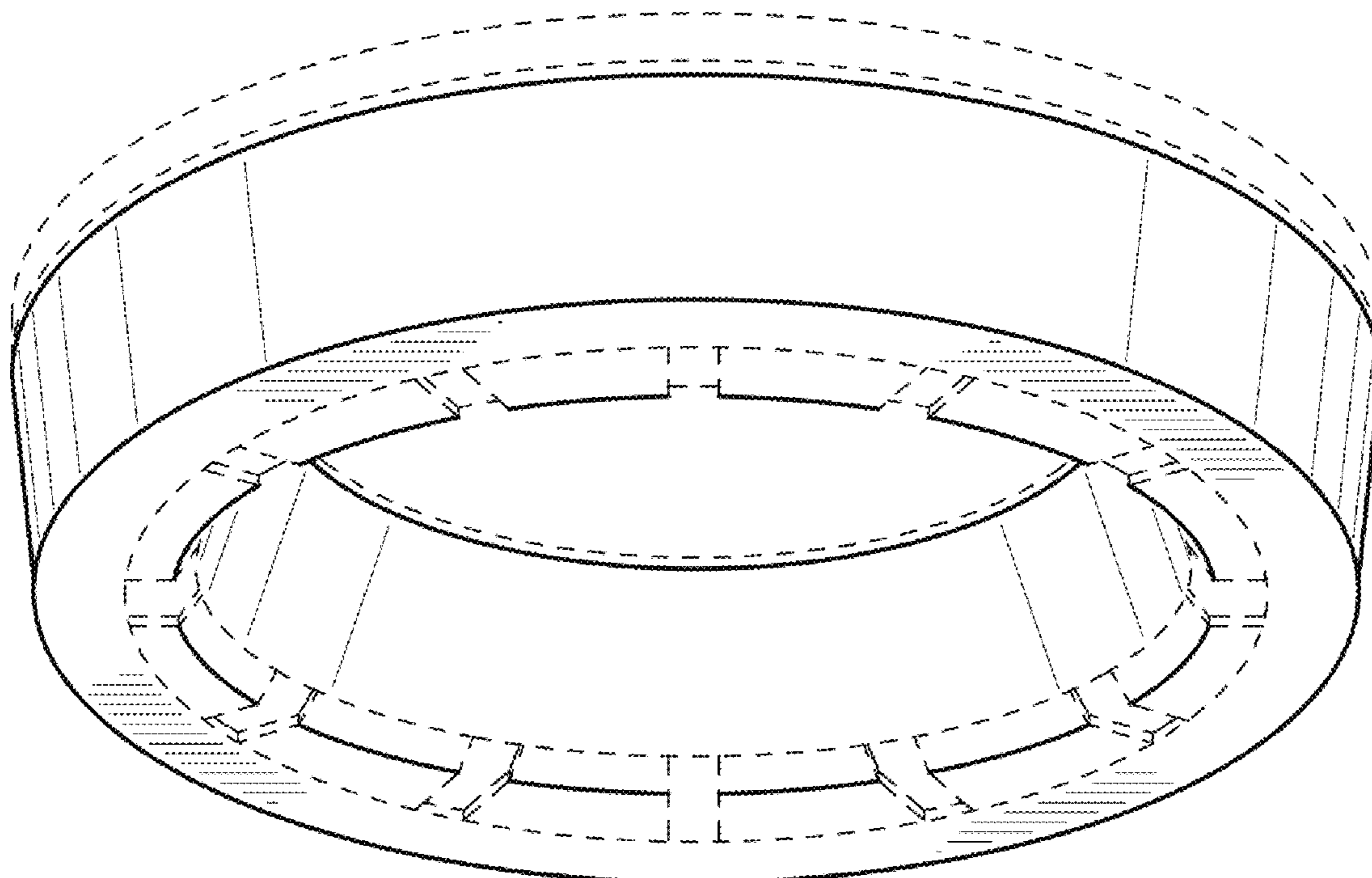
The shading in the figures is fragmentarily shown for convenience of illustration, it being understood that the shading is uniformly continued over the surface on which it appears. The broken lines shown in the figures represent portions of the waste cassette that form no part of the claimed design.

**1 Claim, 3 Drawing Sheets**

(56) **References Cited**

U.S. PATENT DOCUMENTS

D615,786 S *	5/2010	Morand	.....	D6/515
D700,788 S *	3/2014	Morand	.....	D6/515
D700,789 S *	3/2014	Morand	.....	D6/515
D701,056 S *	3/2014	Morand	.....	D6/515



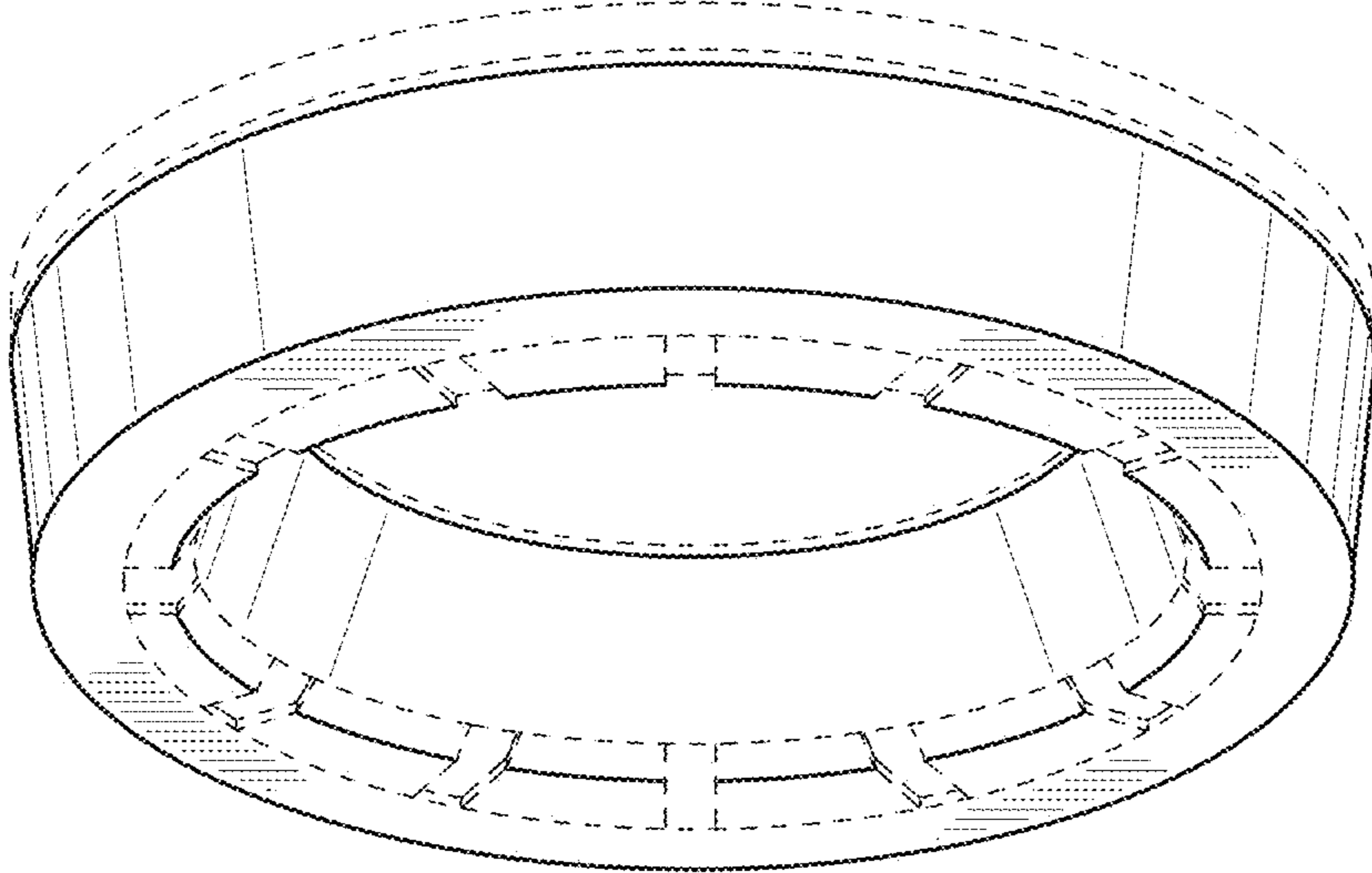


FIG. 1

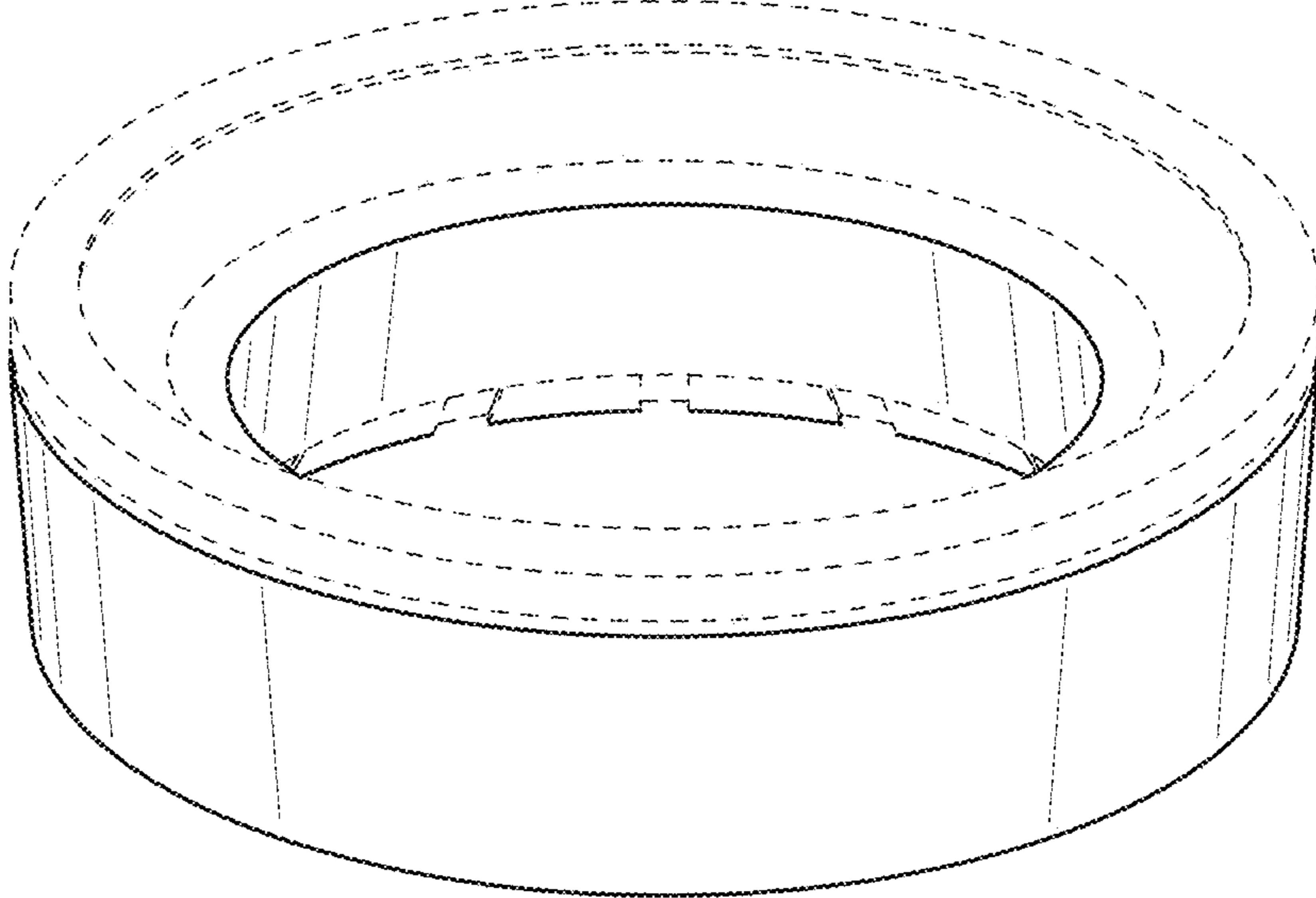


FIG. 2

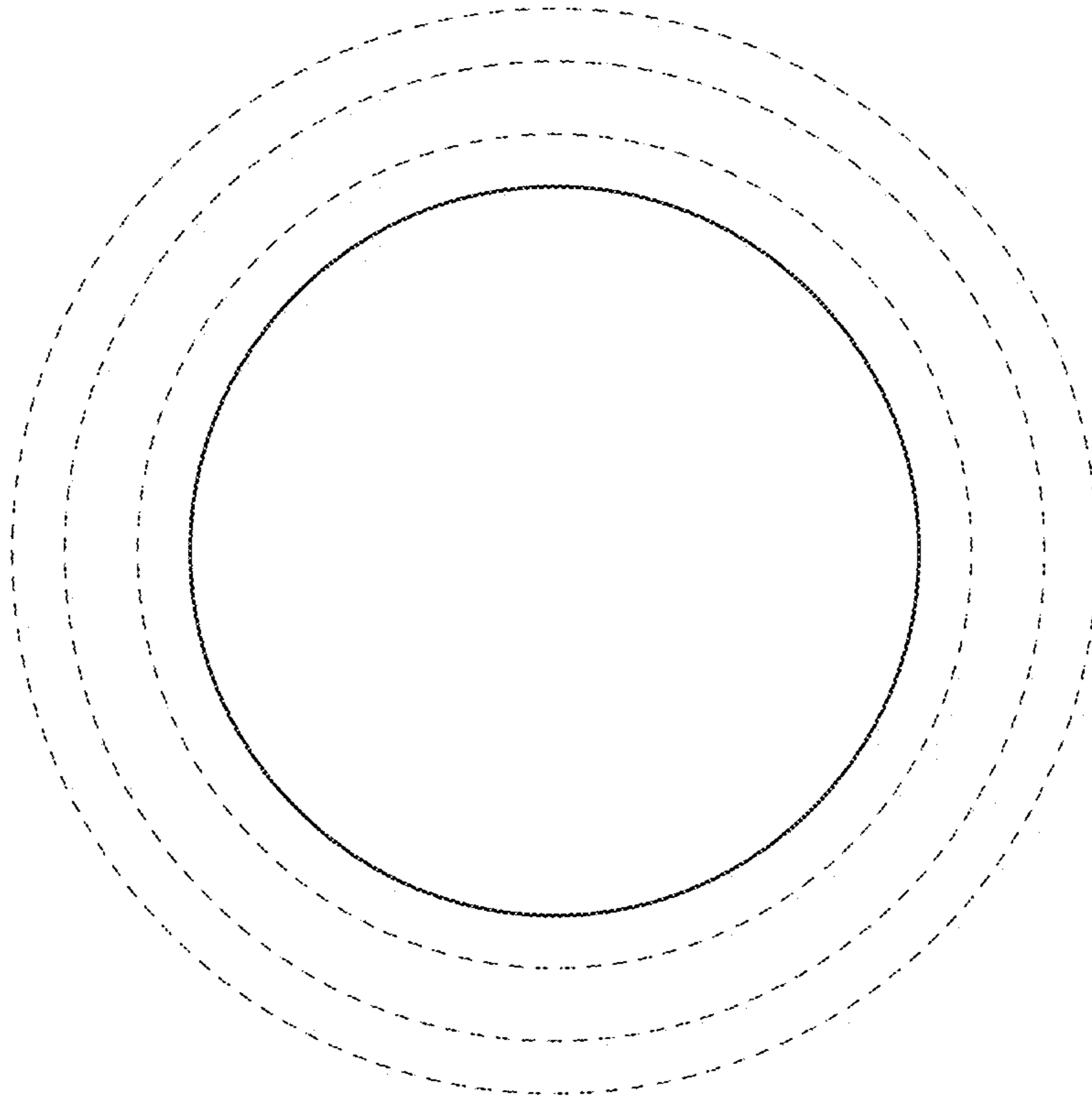


FIG. 3

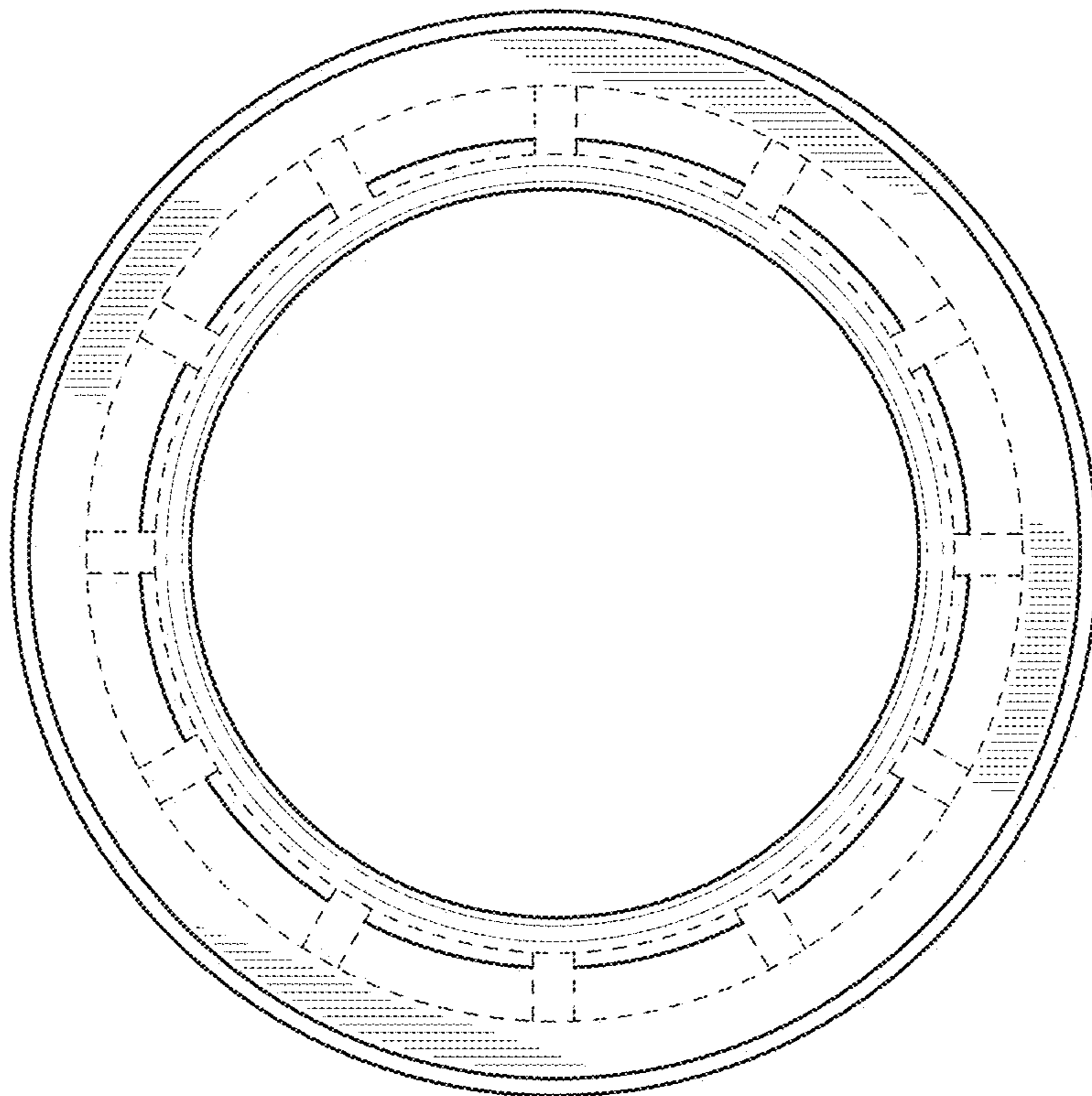


FIG. 4

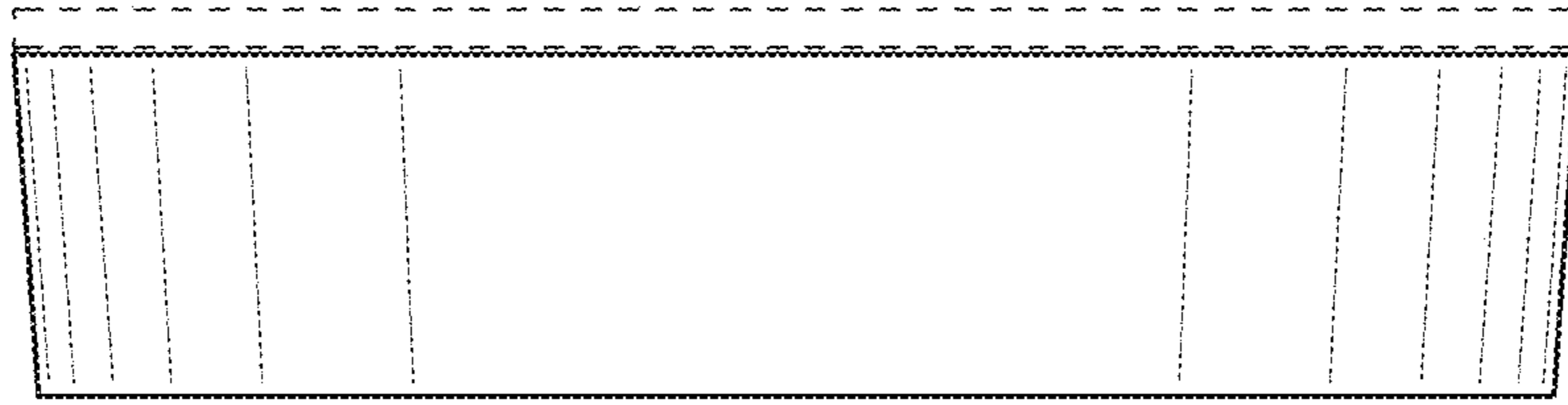


FIG. 5

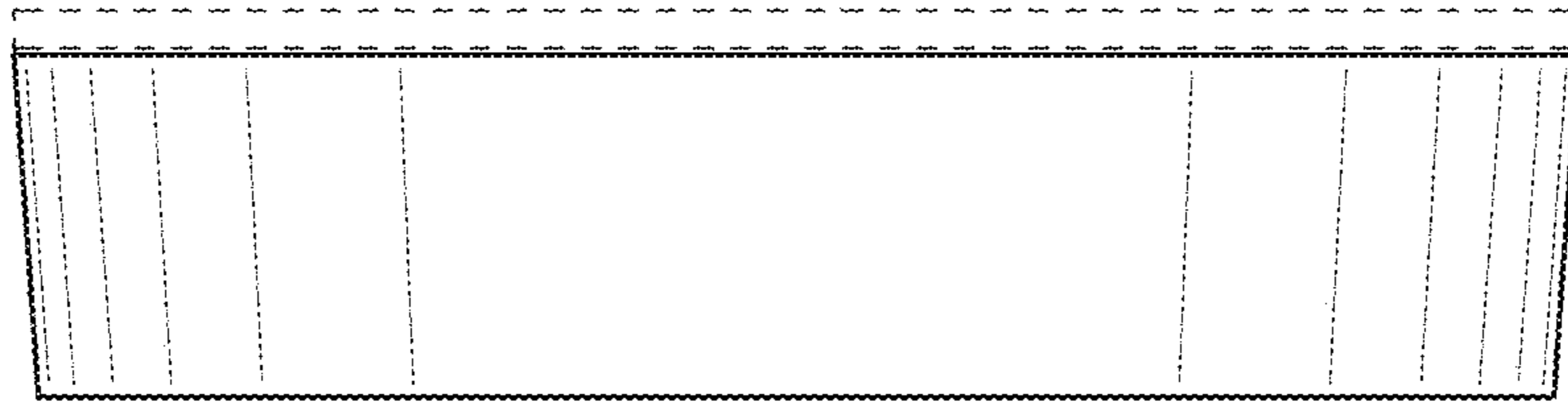


FIG. 6

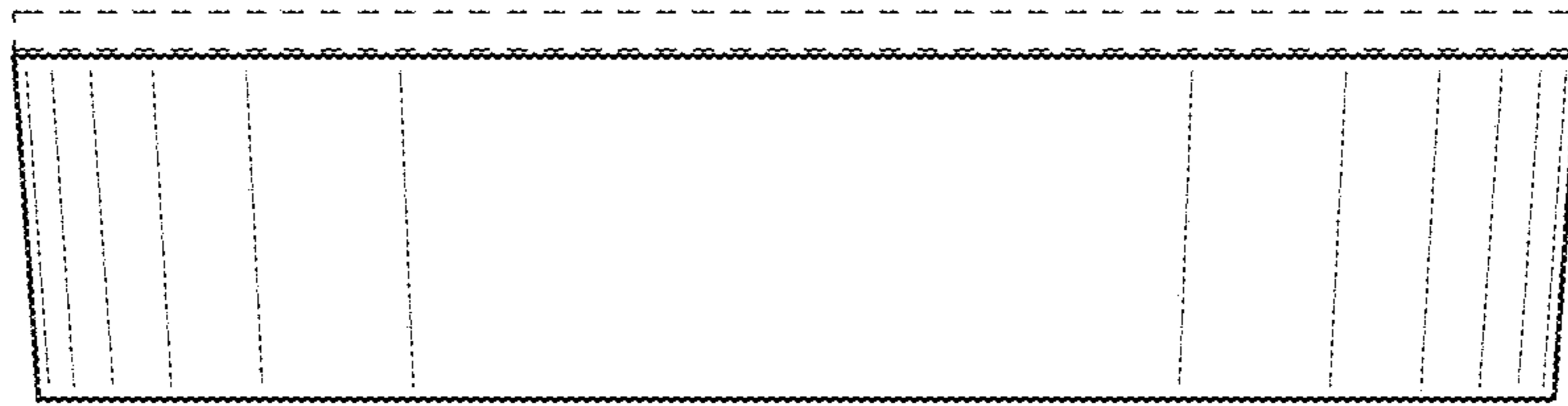


FIG. 7

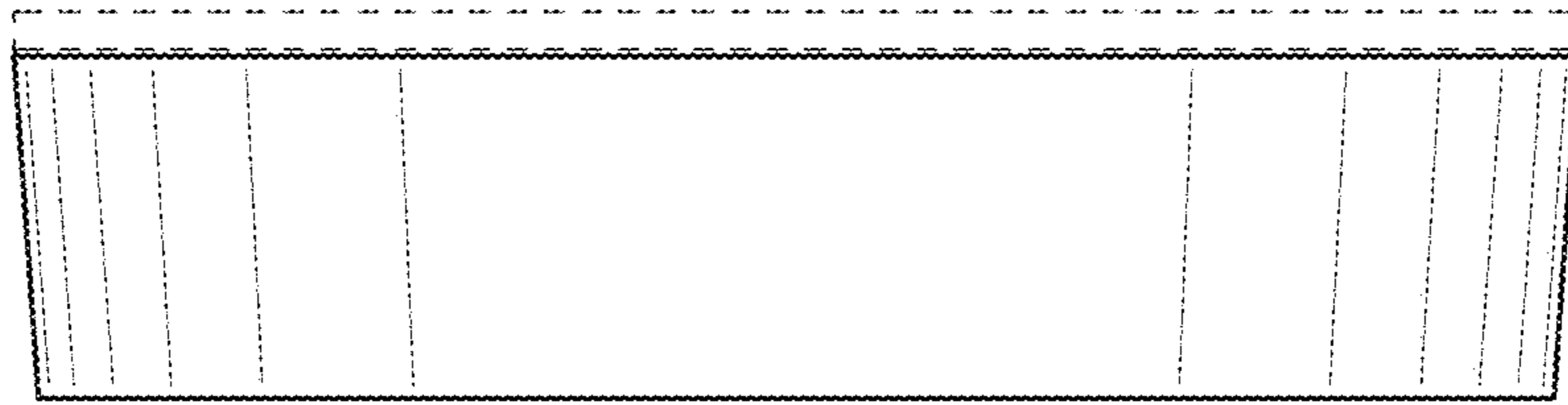


FIG. 8

UNITED STATES PATENT AND TRADEMARK OFFICE  
**CERTIFICATE OF CORRECTION**

PATENT NO. : D891,811 S  
APPLICATION NO. : 29/680102  
DATED : August 4, 2020  
INVENTOR(S) : Michael Cheung

Page 1 of 1

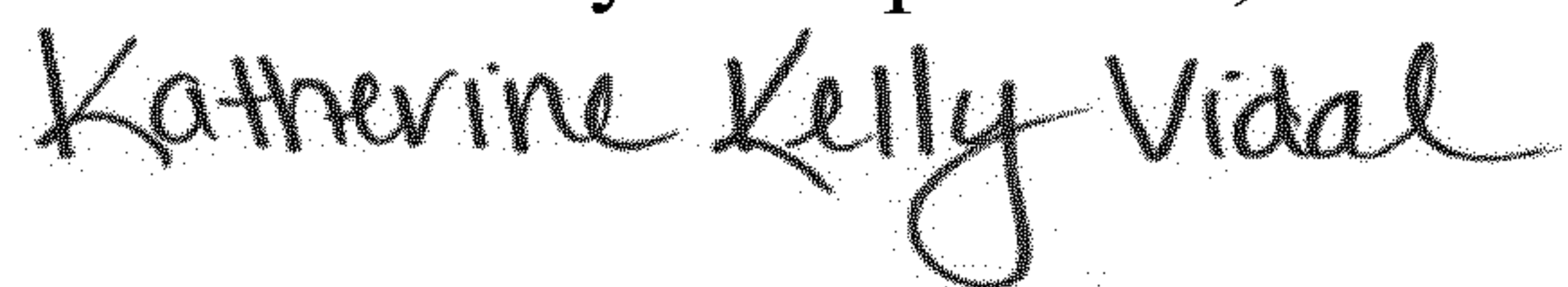
It is certified that error appears in the above-identified patent and that said Letters Patent is hereby corrected as shown below:

On the Title Page

(71) Applicant:

Delete "Edgewell Personal Care Brands, LLC, Chesterfield, MO (US)" and replace with  
-- ANGELCARE USA, LLC, Newark, DE (US) --.

Signed and Sealed this  
Twentieth Day of September, 2022



Katherine Kelly Vidal  
*Director of the United States Patent and Trademark Office*