



US00D891808S

(12) **United States Design Patent** (10) **Patent No.:** **US D891,808 S**  
**Zhu** (45) **Date of Patent:** **\*\* Aug. 4, 2020**

(54) **CHAIR FRAME**

(71) Applicant: **Feijun Zhu**, Zhejiang (CN)

(72) Inventor: **Feijun Zhu**, Zhejiang (CN)

(\*\*) Term: **15 Years**

(21) Appl. No.: **29/676,658**

(22) Filed: **Jan. 14, 2019**

(30) **Foreign Application Priority Data**

Nov. 22, 2018 (CN) ..... 2018 3 0666249

(51) **LOC (12) Cl.** ..... **06-01**

(52) **U.S. Cl.**

USPC ..... **D6/376; D6/368**

(58) **Field of Classification Search**

USPC ..... D6/329, 334, 367-376, 358-366, 353,  
D6/335-340, 352, 377-383, 392-395,  
D6/710-712, 716, 716.1, 716.2, 716.3;  
297/440.1, 440.21, 452.14

CPC .. A47C 11/00; A47C 4/02; A47C 4/03; A47C  
4/08; A47C 4/024; A47C 4/025; A47C  
4/028; A47C 5/04; A47C 7/16; A47C  
5/12; A47C 7/36; A47C 7/40; A47C  
9/007; A47C 13/023; A47C 5/08; A47C  
17/175; A47C 13/005; A47C 11/005

See application file for complete search history.

(56) **References Cited**

**U.S. PATENT DOCUMENTS**

- 4,637,748 A \* 1/1987 Beavers ..... E04B 1/1903  
403/170
- 8,528,291 B2 \* 9/2013 Allred ..... E04C 3/08  
135/909
- 9,326,612 B2 \* 5/2016 Kim ..... A47C 9/10
- D773,221 S \* 12/2016 Lee ..... D6/708.16
- D815,448 S \* 4/2018 Jin ..... D6/368

- D820,072 S \* 6/2018 Choi ..... D8/382
- D833,768 S \* 11/2018 Jin ..... D6/368
- D848,828 S \* 5/2019 Zhu ..... D8/382

(Continued)

**FOREIGN PATENT DOCUMENTS**

- CN 304135062 \* 12/2016
- CN 305078642 \* 10/2018

(Continued)

**OTHER PUBLICATIONS**

Sportneer, Camping Chairs, Portable Ultralight Folding Camp Chair with Carry Bag, Heavy Duty 350lbs Capacity for Outdoor CampDate first available, May 28, 2018, [online]retrieved Jun. 2, 2020, available from internet, www.amazon.com (Year: 2018).\*

(Continued)

*Primary Examiner* — Keli L Hill

*Assistant Examiner* — Sara S Sahneh

(74) *Attorney, Agent, or Firm* — JCIPRNET

(57)

**CLAIM**

The ornamental design for a chair frame, as shown and described.

**DESCRIPTION**

FIG. 1 is a perspective view of a chair frame showing my new design;

FIG. 2 is a front view thereof;

FIG. 3 is a rear view thereof;

FIG. 4 is a left side view thereof;

FIG. 5 is a right side view thereof;

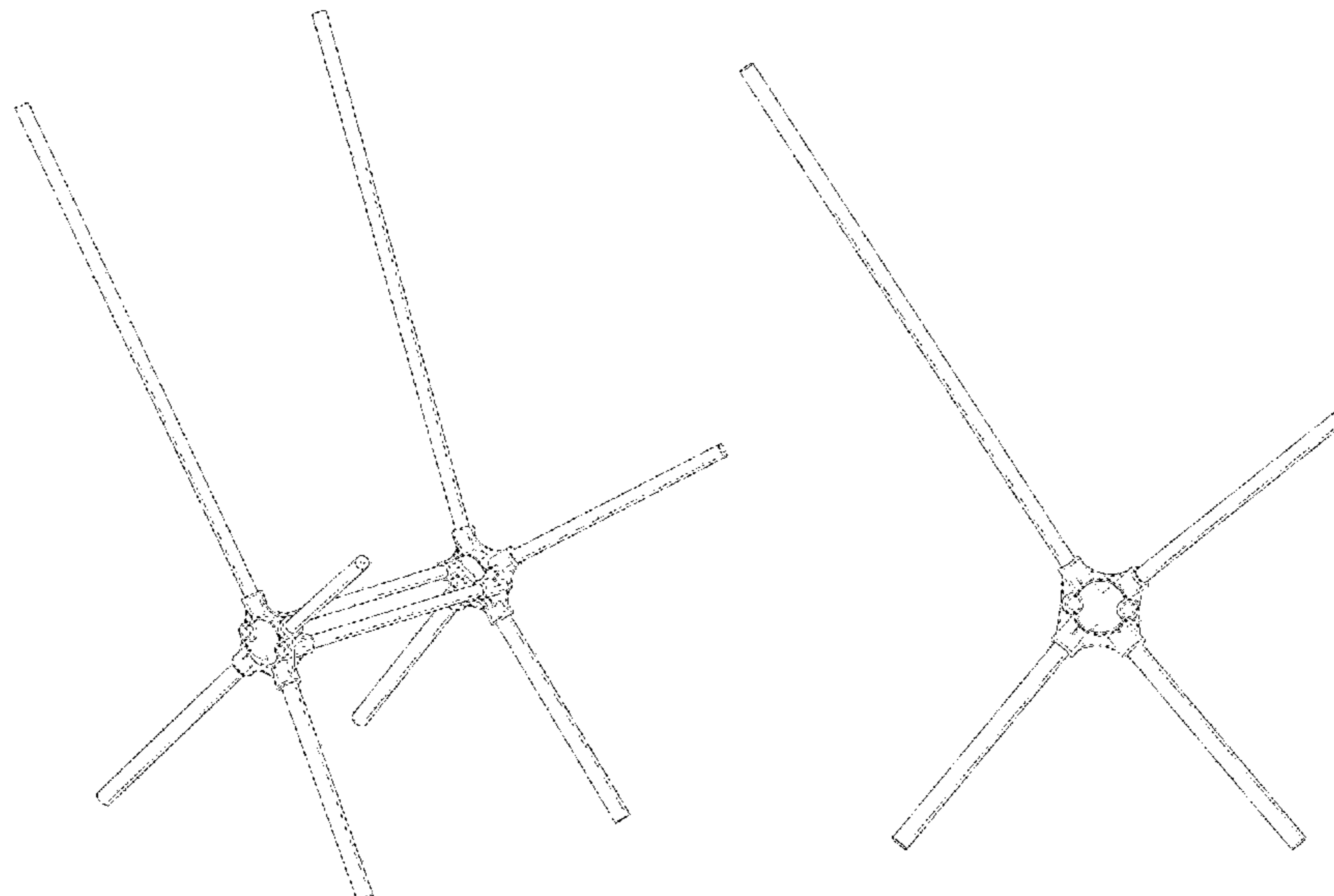
FIG. 6 is a top view thereof;

FIG. 7 is a bottom view thereof; and,

FIG. 8 is a perspective view thereof in a state of use.

The dashed broken lines illustrate portions of the chair frame and form no part of the claimed design. The dot-dash broken lines in FIG. 8 illustrate environmental structure and form no part of the claimed design.

**1 Claim, 8 Drawing Sheets**



(56)

**References Cited**

U.S. PATENT DOCUMENTS

D848,829 S \* 5/2019 Zhu ..... D8/382  
2012/0104805 A1\* 5/2012 Lah ..... A47C 4/286  
297/16.1  
2016/0113402 A1\* 4/2016 Lee ..... A47C 4/02  
297/16.2  
2017/0311723 A1\* 11/2017 Lenhart ..... A47C 4/38

FOREIGN PATENT DOCUMENTS

CN 305184679 \* 1/2019  
KR 300774650.0000 \* 10/2014  
KR 300960189.0000 \* 9/2017

OTHER PUBLICATIONS

Oremila Camping Chair, Compact Ultralight Folding Backpacking  
Chairs ,[online]retrieved Apr. 2, 2020, available from internet,  
www.amazon.com (Year: 2020).\*

Merutek, Ultra Lightweight Portable Chair for Camping, Hiking,  
Backpacking, Camping Chair,Date first availableSep. 26, 2019  
[online]retrieved Apr. 2, 2020, available from internet, www.amazon.  
com (Year: 2019).\*

\* cited by examiner

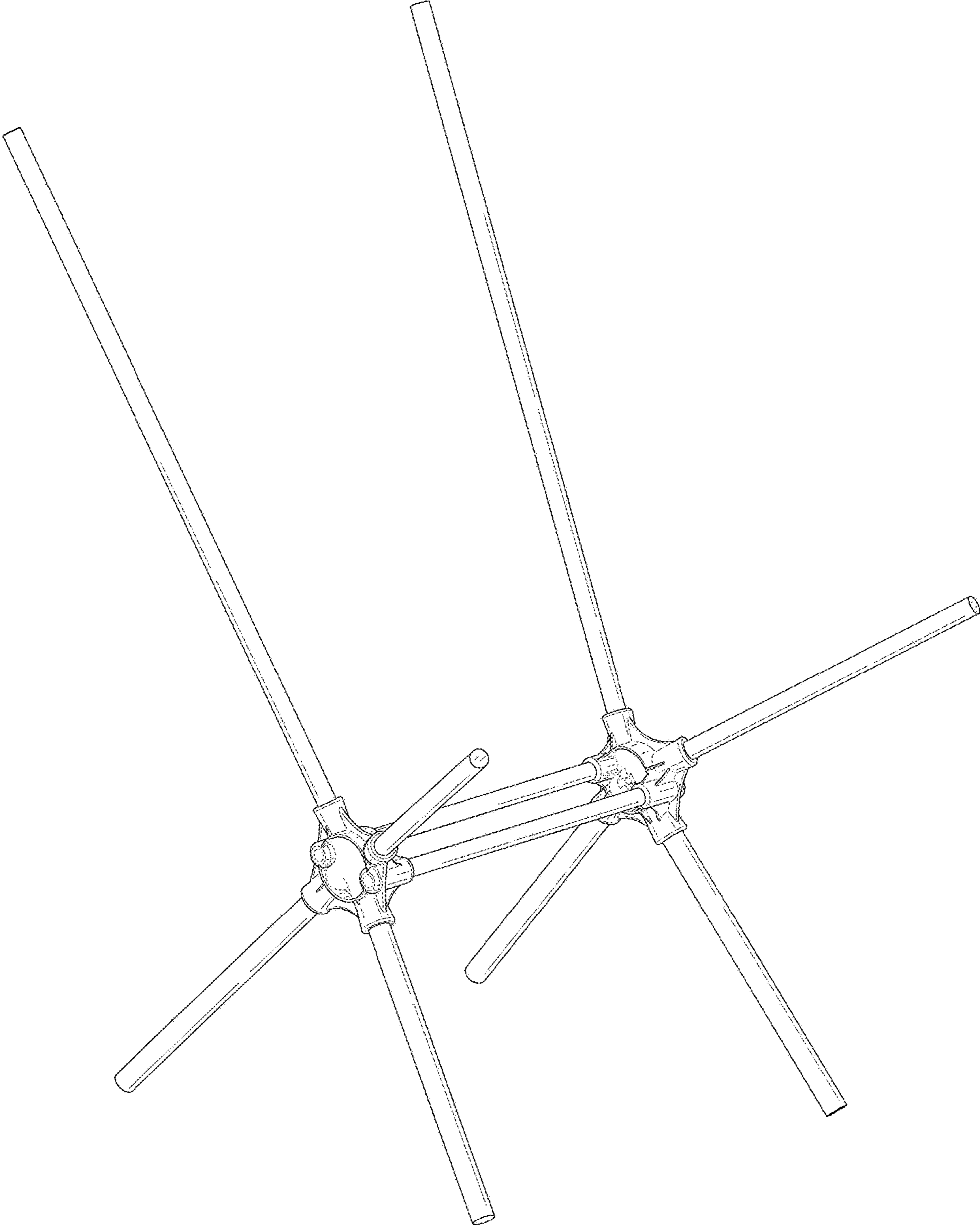


FIG. 1

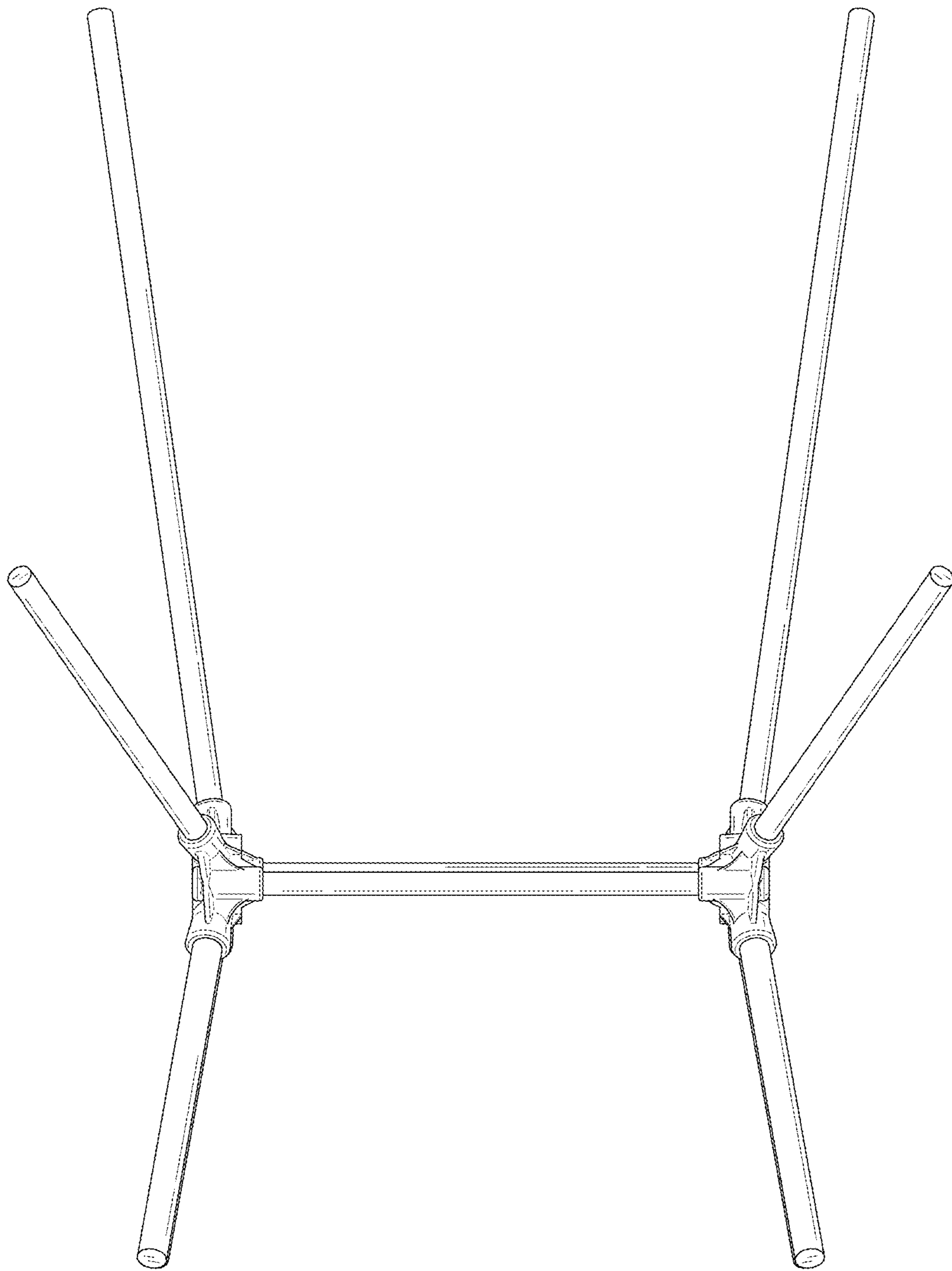


FIG. 2

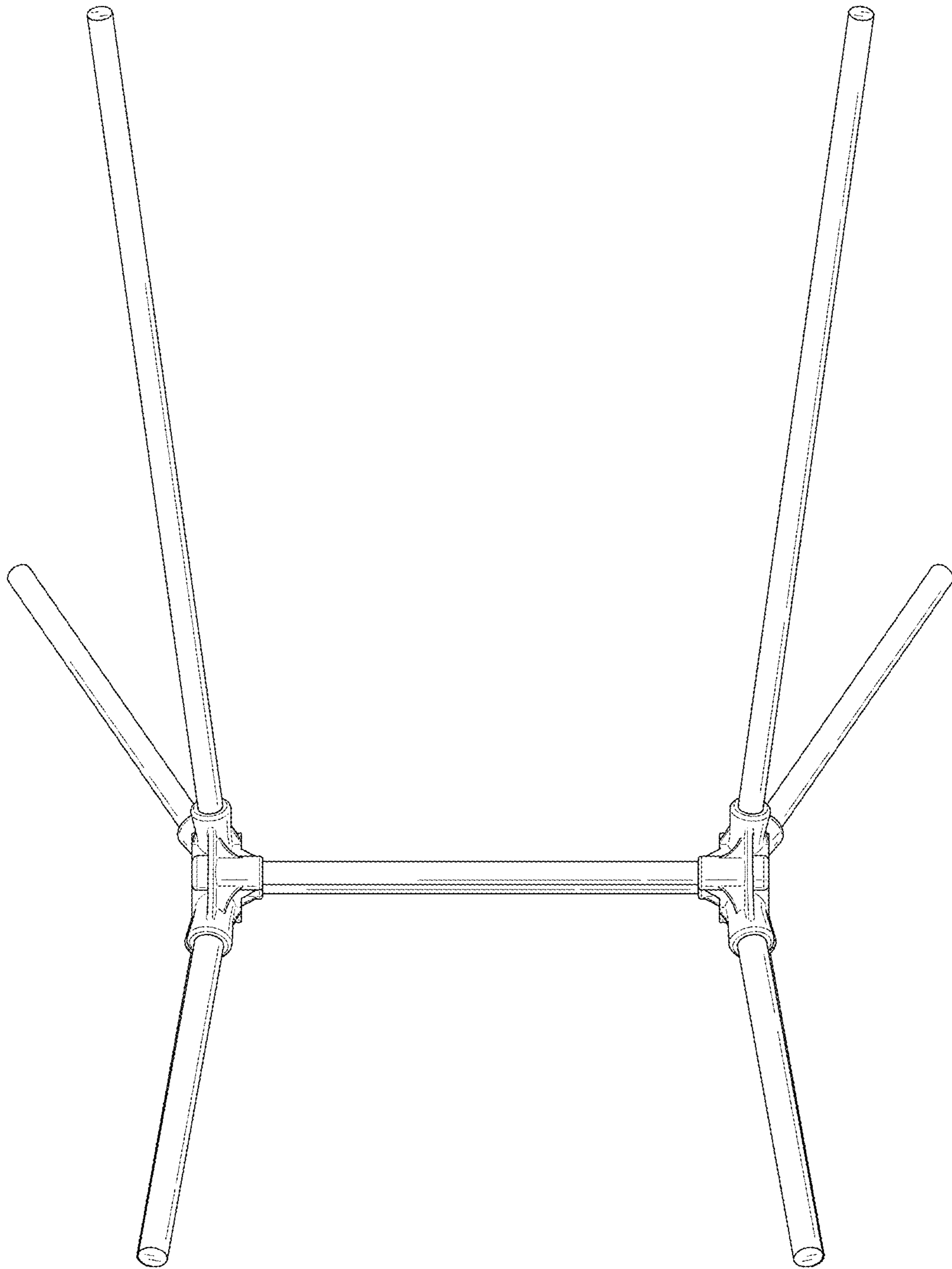


FIG. 3

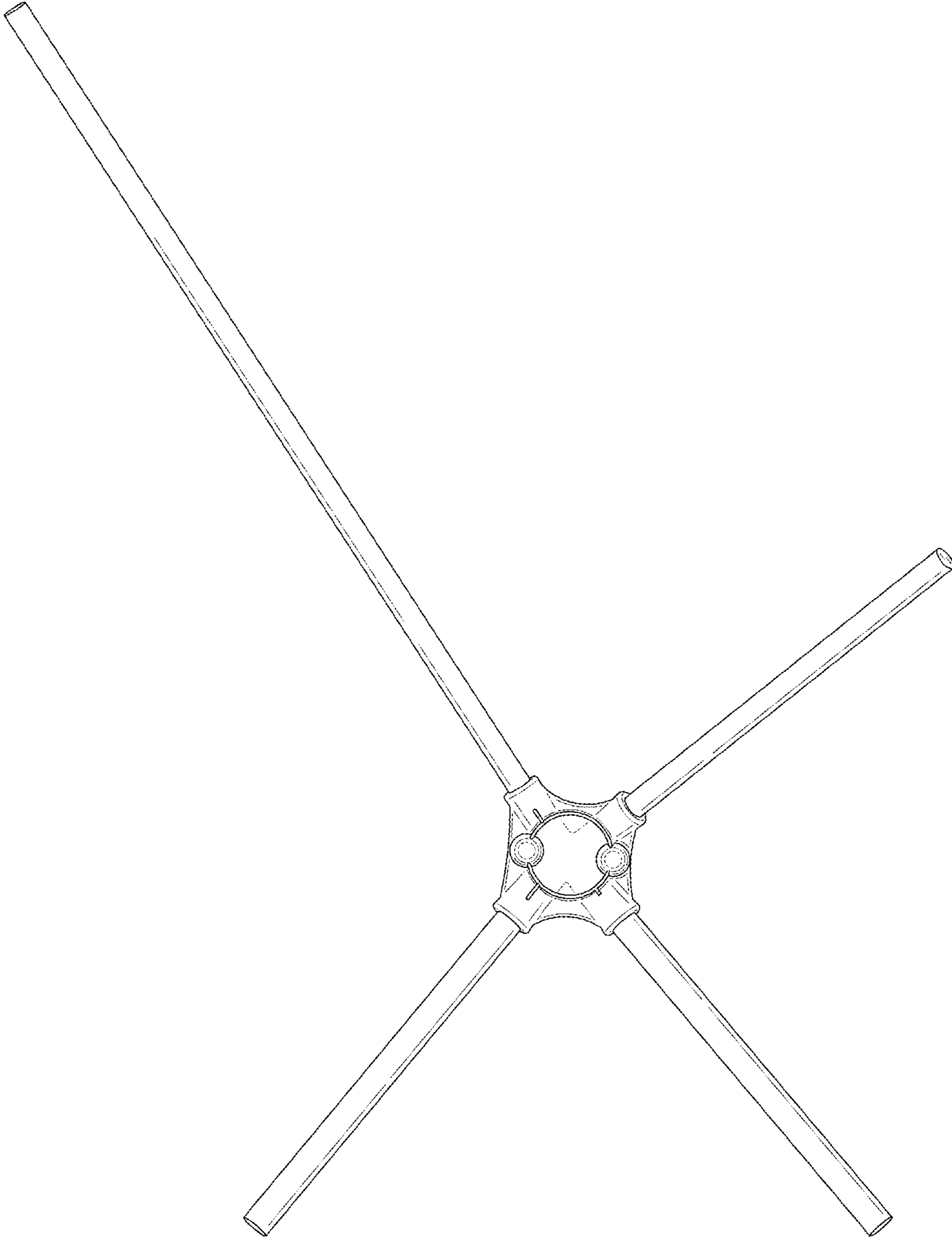


FIG. 4

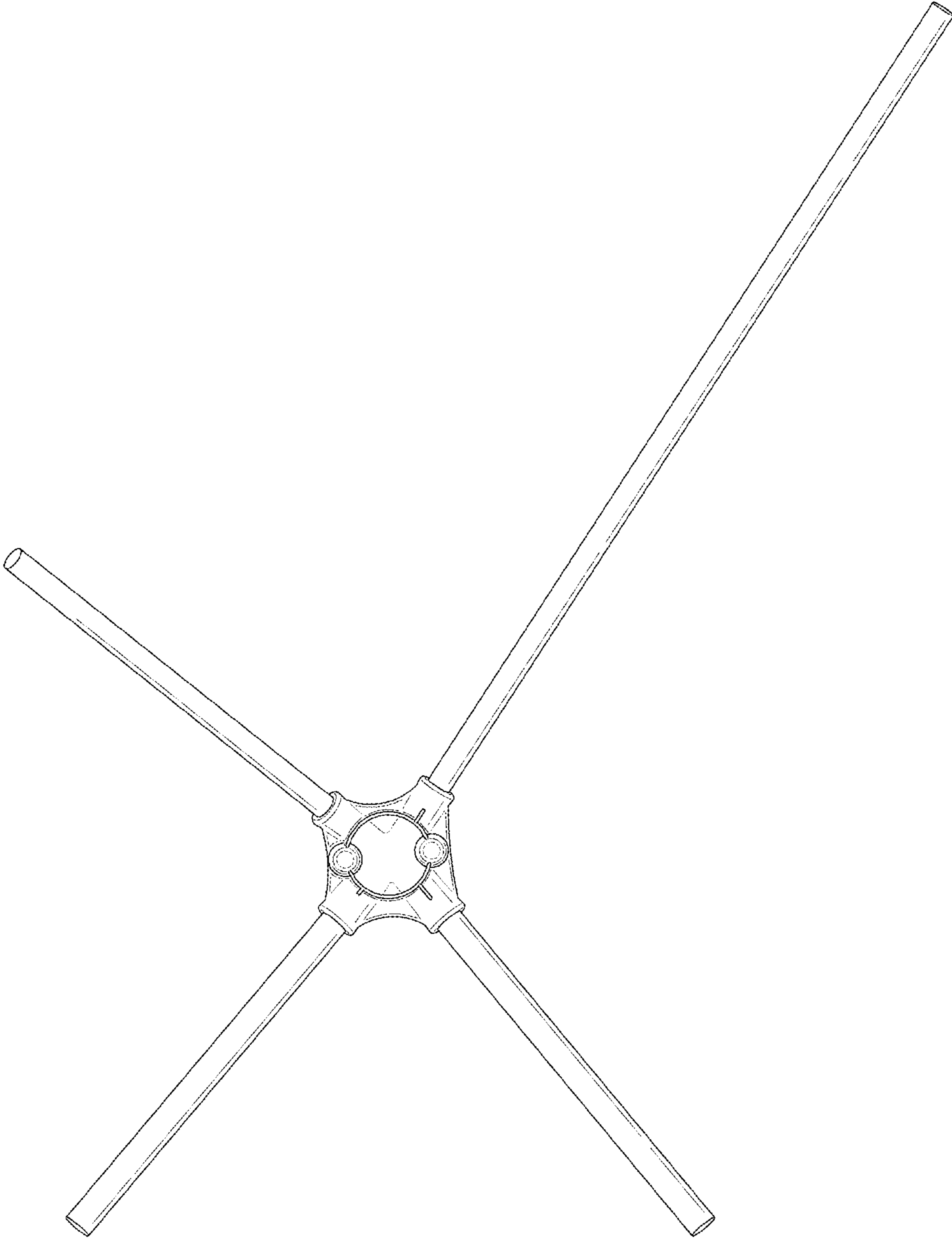


FIG. 5

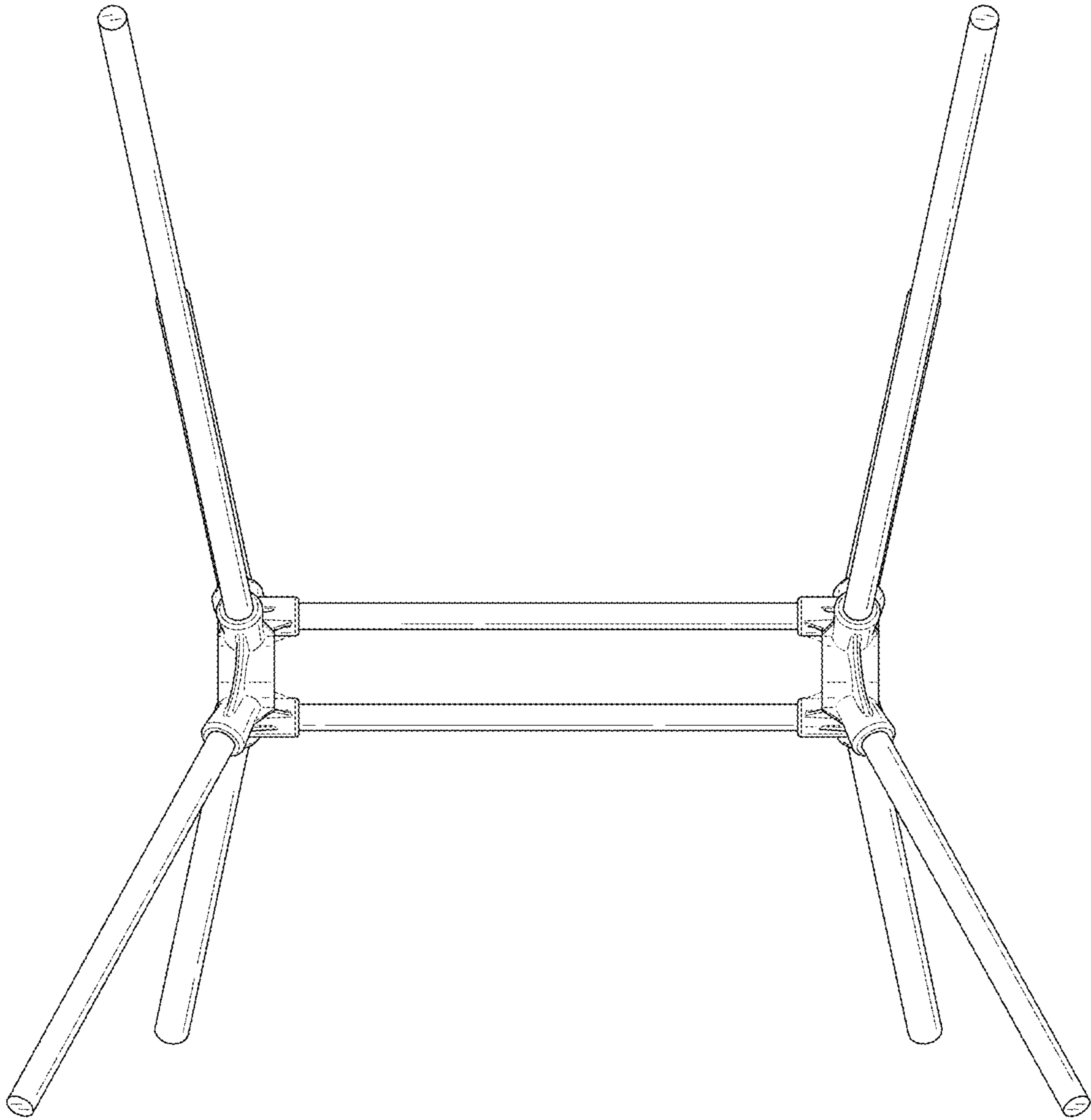


FIG. 6



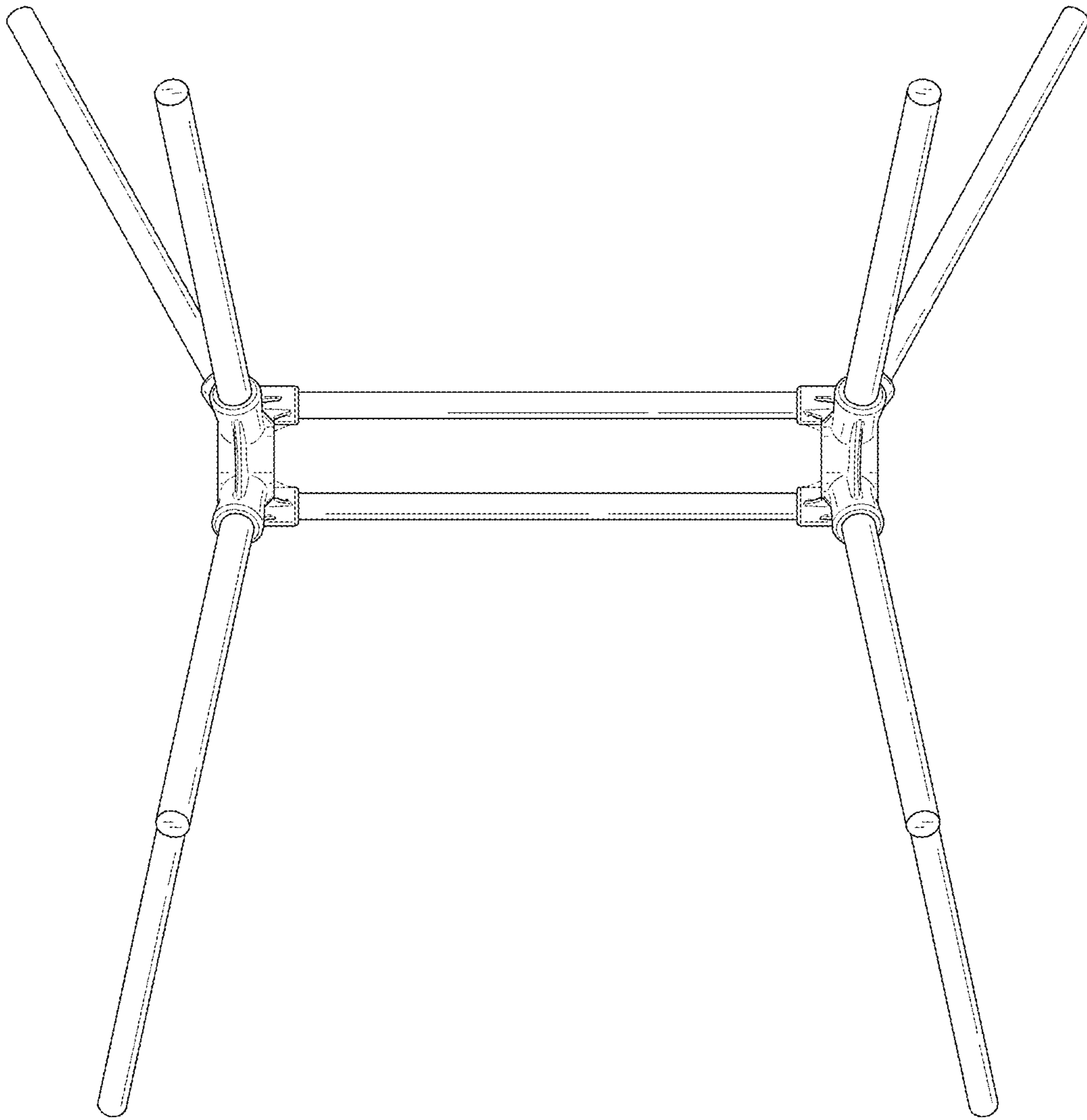


FIG. 7

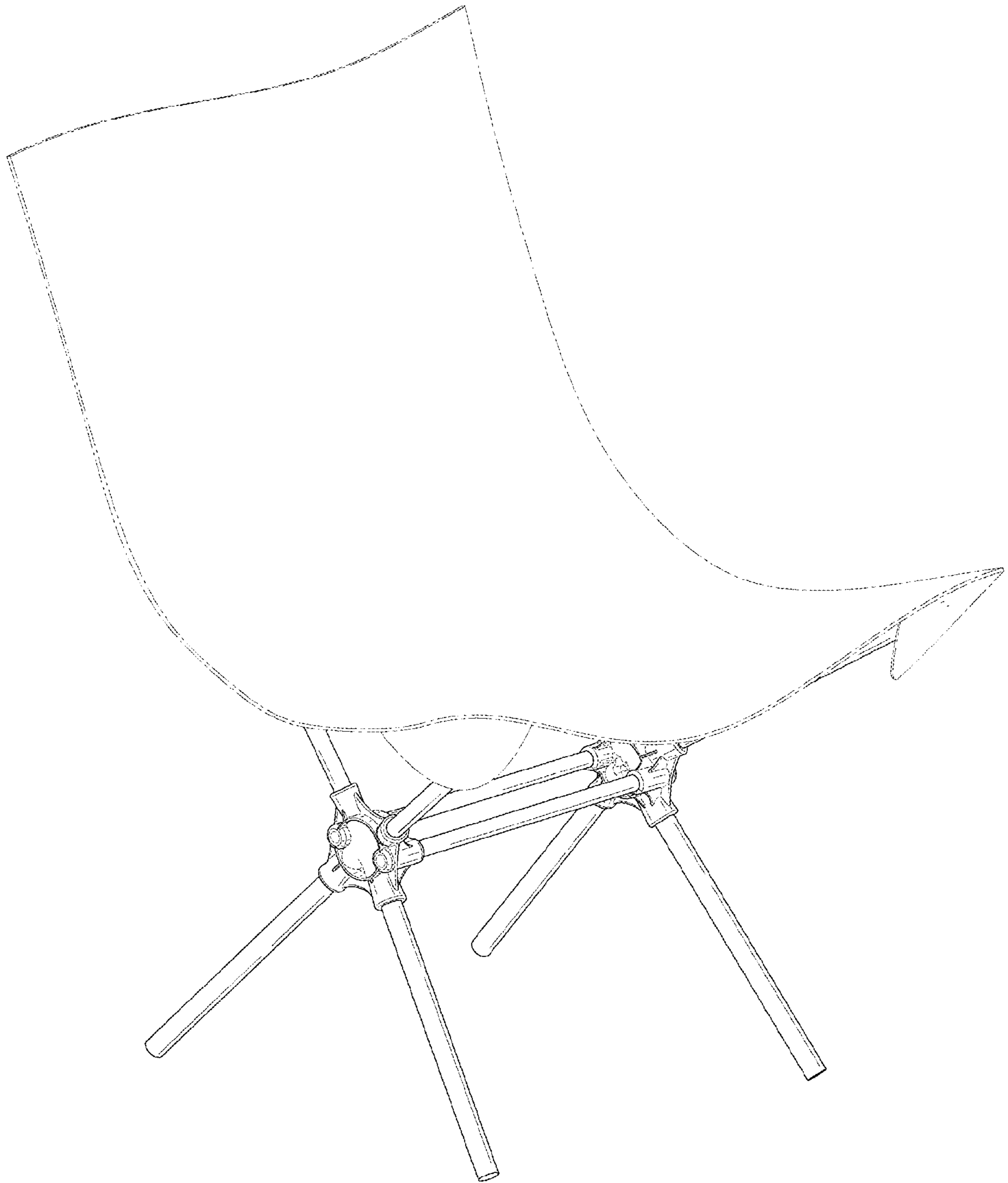


FIG. 8