



US00D891804S

(12) **United States Design Patent**
Selma Lazaro

(10) **Patent No.:** **US D891,804 S**

(45) **Date of Patent:** **** Aug. 4, 2020**

(54) **CHAIR**

(71) Applicant: **SANCAL DISEÑO, S.L.**, Yecla (ES)

(72) Inventor: **Alejandro Selma Lazaro**, Valencia (ES)

(73) Assignee: **SANCAL DISEÑO, S.L.**, Yecia, Murcia (ES)

(**) Term: **15 Years**

(21) Appl. No.: **29/676,579**

(22) Filed: **Jan. 11, 2019**

(30) **Foreign Application Priority Data**

Jul. 11, 2018 (EM) 005500121-0004

(51) **LOC (12) Cl.** **06-01**

(52) **U.S. Cl.**
USPC **D6/374; D6/375**

(58) **Field of Classification Search**

USPC D6/366, 367, 368, 369, 716.7, 708.16,
D6/708.23, 372, 334, 361, 364, 375, 716,
D6/360, 373, 348, 379, 358, 716.4,
D6/707.16, 362, 339, 329, 374, 342, 330,
D6/332, 320, 315, 380, 376
CPC .. A47C 4/028; A47C 4/02; A47C 7/18; A47C
7/40; A47C 7/383; A47C 7/506; A47C
9/007; A47C 13/023; A47C 1/124; A47C
1/04; A47C 1/16; A47C 7/16; A47C 3/04;
A47C 3/00; B60N 2/0715; B60N 2/22;
B60N 2/48; B60N 2/449; B60N 2/4882;
A47D 1/00; B29L 2031/771

See application file for complete search history.

(56) **References Cited**

U.S. PATENT DOCUMENTS

D181,702 S * 12/1957 Bargaen D6/375
2,936,024 A * 5/1960 Hendrickson A47C 3/04
297/239

D253,679 S * 12/1979 Lubke D6/334
D301,945 S * 7/1989 Frinier D6/374
D362,968 S * 10/1995 Mourgue D6/334
D393,753 S * 4/1998 Mourgue D6/334
D443,994 S * 6/2001 Caldwell D6/370
D514,335 S * 2/2006 Patti D6/334

(Continued)

FOREIGN PATENT DOCUMENTS

CN 303762990 * 3/2016
RU 00078595 * 5/2010

OTHER PUBLICATIONS

Sancal ,Mullit A cushion with Legs,[online]retrieved Apr. 6, 2020,
available from internet, <https://sancal.com/en/> (Year: 2020).*

(Continued)

Primary Examiner — Keli L Hill

Assistant Examiner — Sara S Sahneh

(74) *Attorney, Agent, or Firm* — Arent Fox LLP

(57) **CLAIM**

The ornamental design for a chair, as shown and described.

DESCRIPTION

FIG. 1 is a top front perspective view of a chair showing my new design;

FIG. 2 is a rear view of the design shown in FIG. 1;

FIG. 3 is a rear left perspective view of the design shown in FIG. 1;

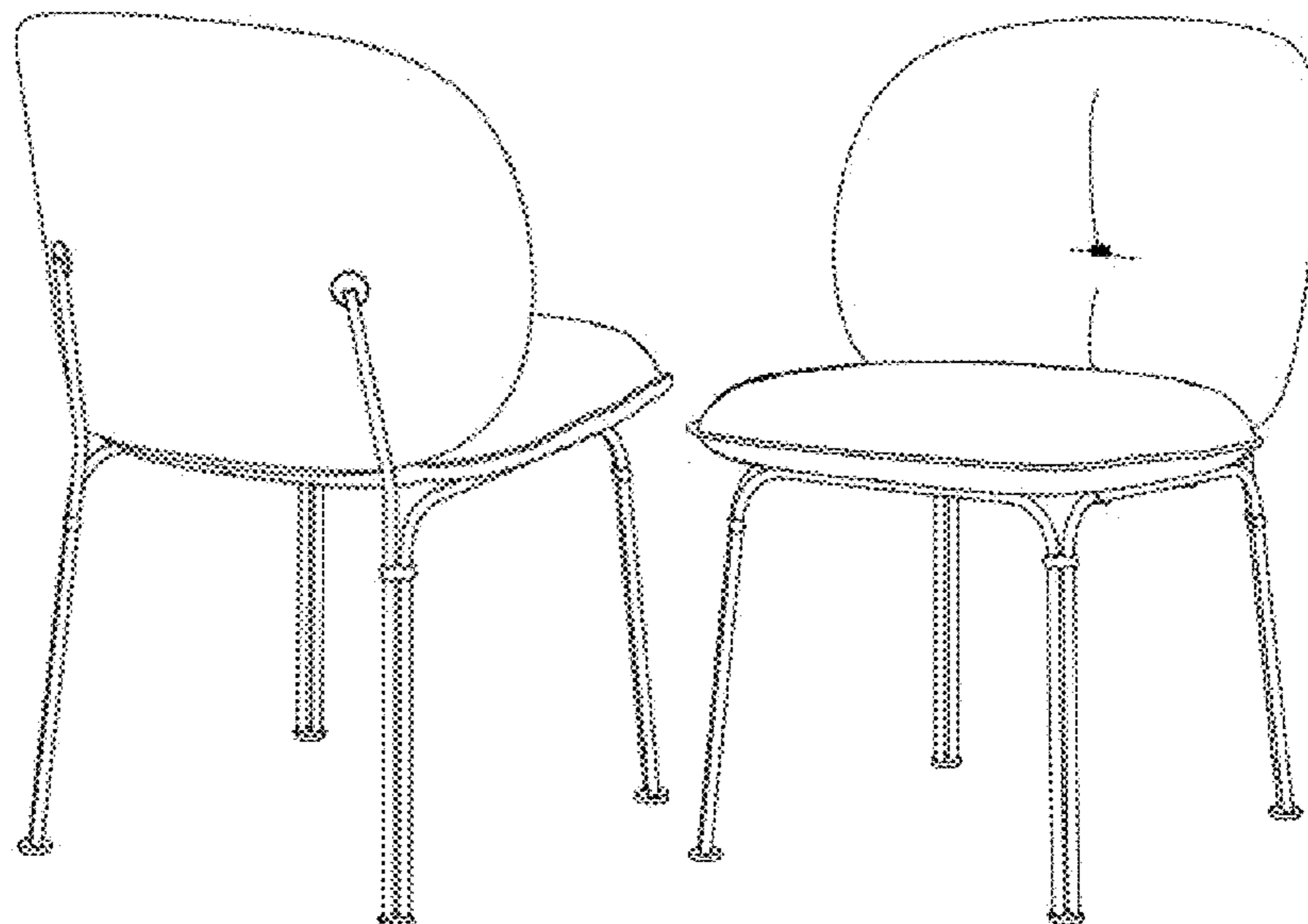
FIG. 4 is a front right perspective view of the design shown in FIG. 1;

FIG. 5 is a left side view of the design shown in FIG. 1, the right side view being a mirror image thereof; and,

FIG. 6 is a front view of the design shown in FIG. 1.

The bottom of the chair forms no part of the claimed design.

1 Claim, 6 Drawing Sheets



(56)

References Cited

U.S. PATENT DOCUMENTS

D543,738 S * 6/2007 Quicoy A47C 4/42
D646,087 S * 10/2011 Miller D6/368
D755,540 S * 5/2016 Schueth D6/716
D759,988 S * 6/2016 Dorigo D6/596
D867,777 S * 11/2019 Reybier D6/375
D867,777 S * 11/2019 Reybier D6/358

OTHER PUBLICATIONS

Screen captures from YouTube video clip entitled "Mullit by Yonoh" 3 pages, uploaded on May 7, 2018 by user "SANCAL". Retrieved from Internet: <https://www.youtube.com/watch?v=zNgLj4HAAAnw&feature=emb_logo> (Year: 2018).*

* cited by examiner

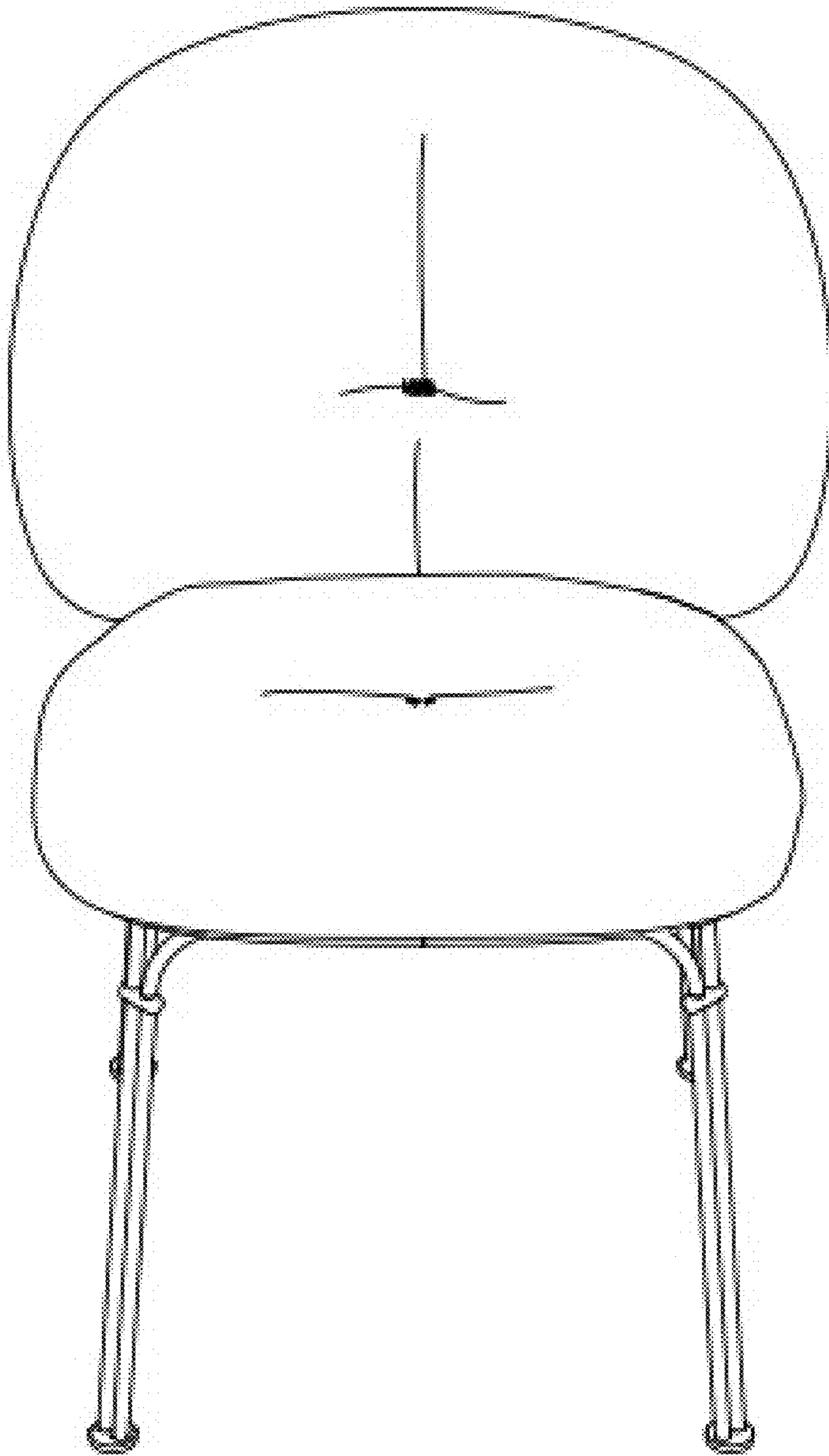


FIG. 1

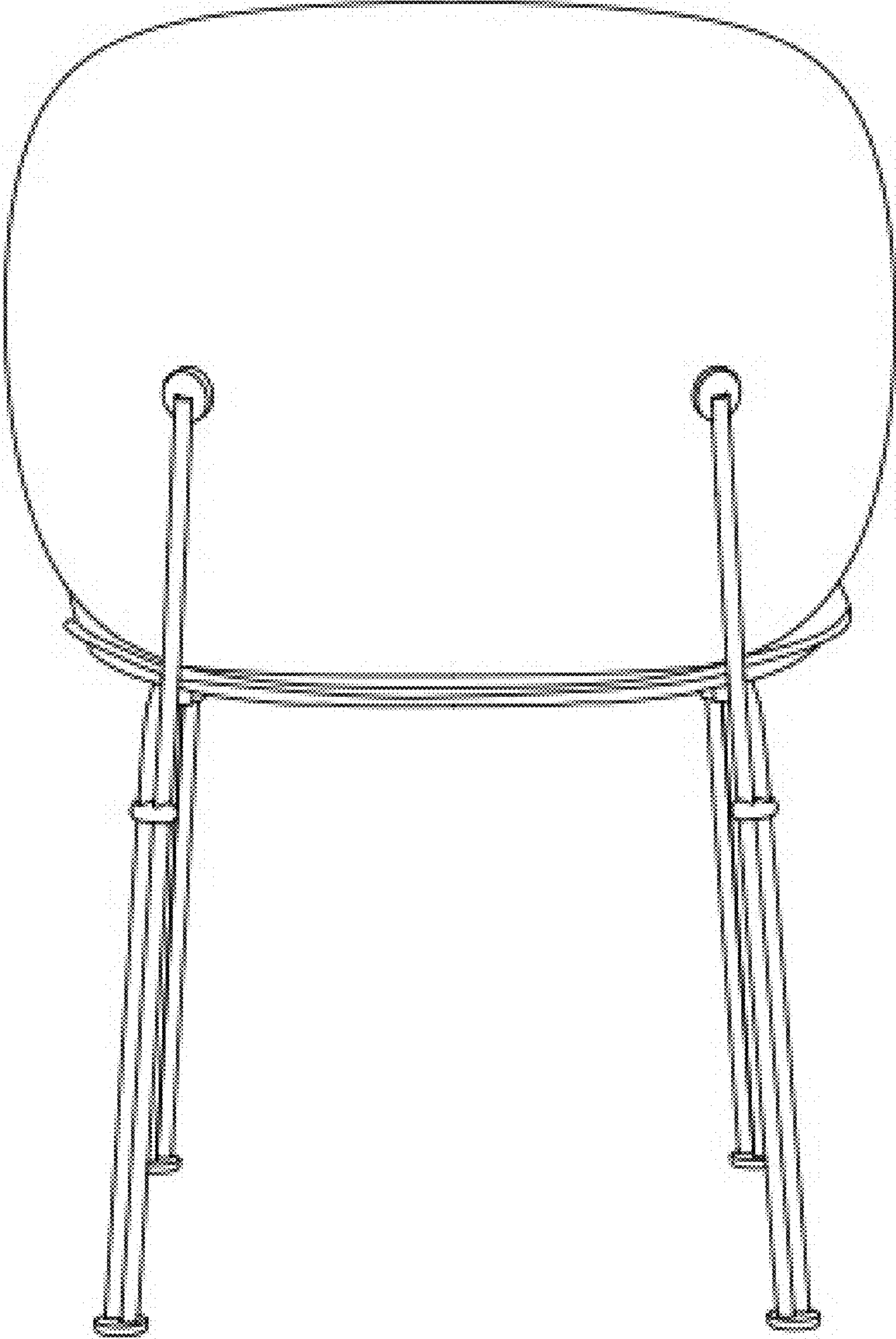


FIG. 2

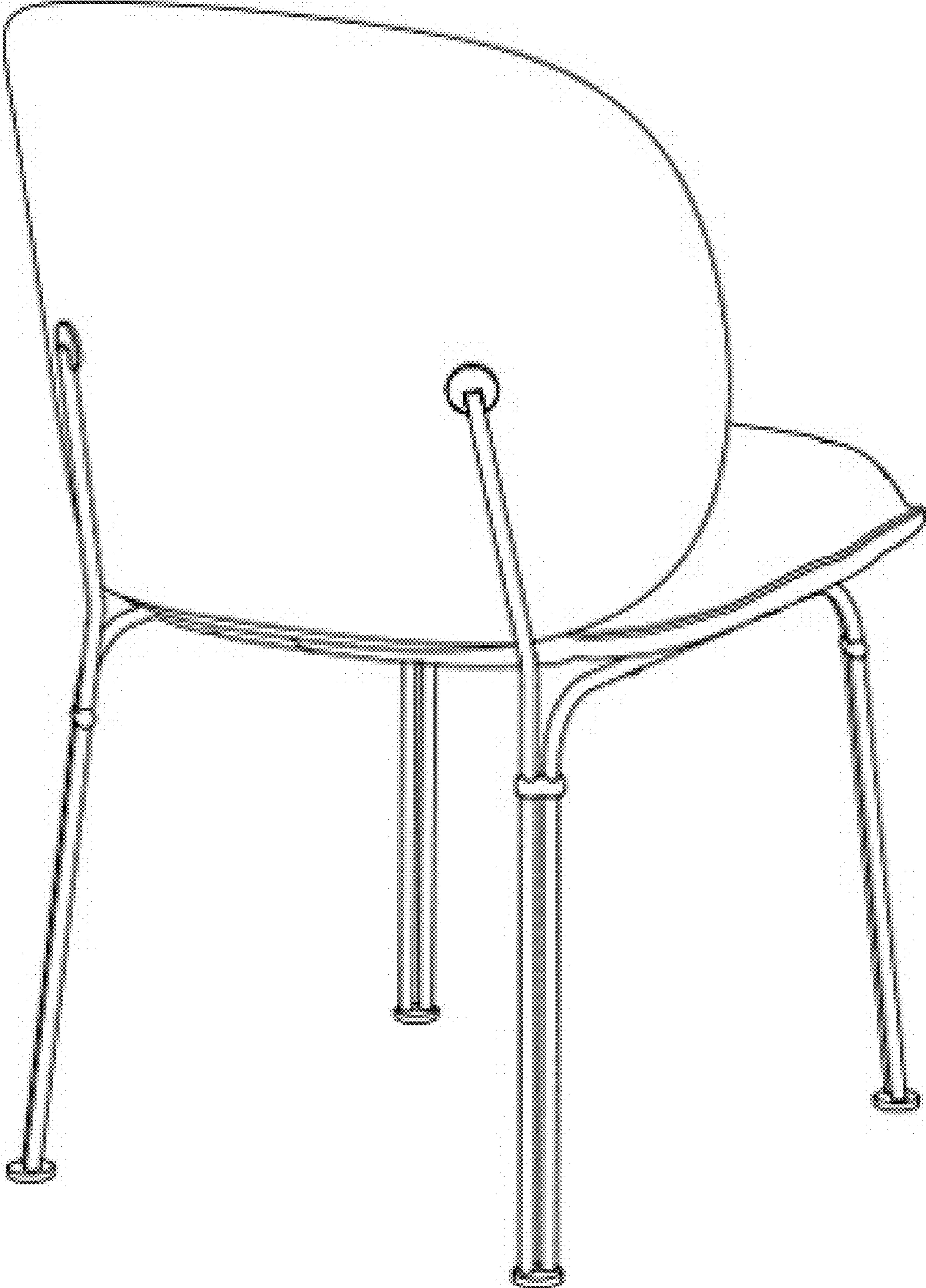


FIG. 3



FIG. 4

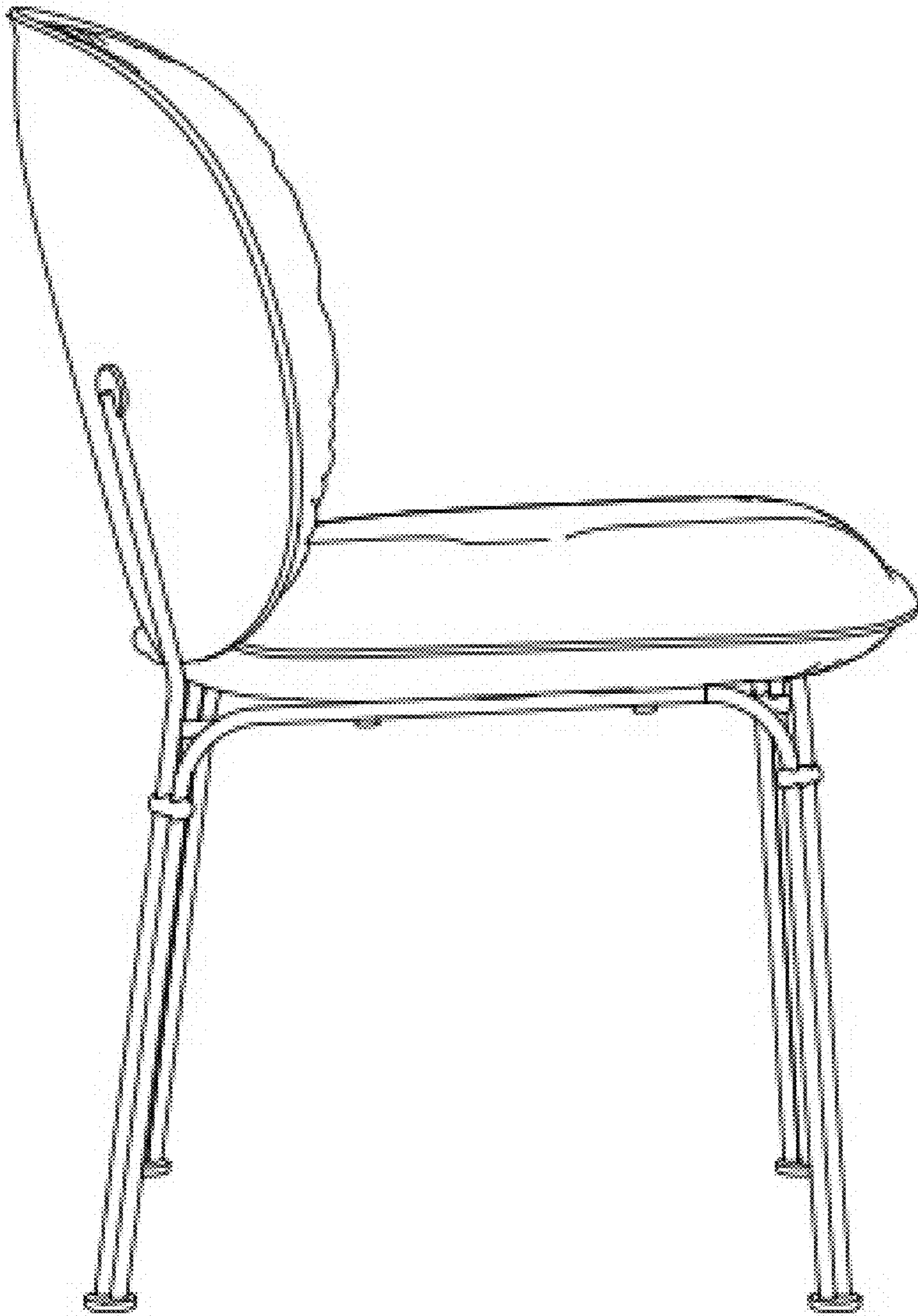


FIG. 5

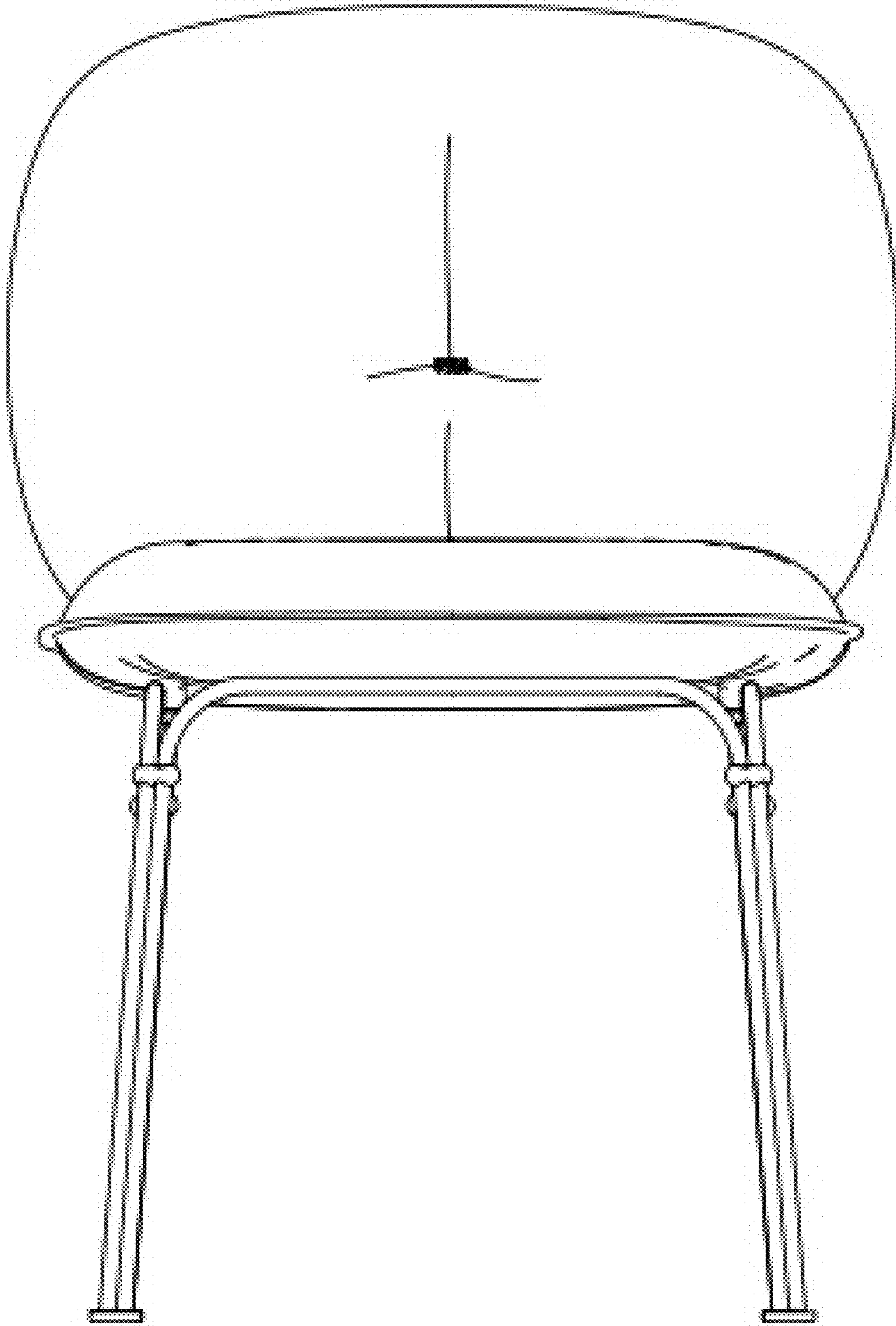


FIG. 6