



US00D891802S

(12) **United States Design Patent**
Okuyama et al.

(10) **Patent No.:** **US D891,802 S**

(45) **Date of Patent:** **** Aug. 4, 2020**

(54) **MESSAGE CHAIR**

(71) Applicant: **FIUS Distributors, LLC**, Boulder, CO (US)

(72) Inventors: **Kiyoyuki Okuyama**, Yamagata (JP);
Yoichi Hirata, Kanagawa (JP);
Kazuhide Maeda, Kanagawa (JP);
Meza Mendoza Issac Alejandro, Tokyo (JP)

(73) Assignee: **FIUS DISTRIBUTORS, LLC**, Boulder, CO (US)

(**) Term: **15 Years**

(21) Appl. No.: **29/685,613**

(22) Filed: **Mar. 29, 2019**

(51) **LOC (12) Cl.** **06-01**

(52) **U.S. Cl.**
USPC **D6/367**

(58) **Field of Classification Search**
USPC D6/334-336, 361, 367, 371, 373, 374,
D6/716, 716.1, 716.2, 716.4, 716.5,
D6/716.6, 717
CPC A61H 1/003; A61H 1/0237; A61H
2201/1669; A61H 7/00; A61H 7/001;
A61H 7/002; A61H 7/004; A61H 7/007;
A61H 23/00; A61H 23/02; A61H
23/0254; A61H 9/0078; A47C 7/50
See application file for complete search history.

(56) **References Cited**

U.S. PATENT DOCUMENTS

D577,923 S * 10/2008 Kita D6/367
D609,932 S * 2/2010 Lee D6/367
D680,766 S * 4/2013 Morimoto D6/367
D699,961 S * 2/2014 Le D6/367
D730,072 S * 5/2015 Sakai D6/367

D772,593 S * 11/2016 Le D6/367
D787,213 S * 5/2017 Lek D6/367
D815,447 S * 4/2018 Horinoe D6/367
2010/0198120 A1 * 8/2010 Tago A61H 1/0237
601/134

FOREIGN PATENT DOCUMENTS

WO WO-2017195988 A1 * 11/2017 A61H 9/0078

* cited by examiner

Primary Examiner — Mimoso De

(74) *Attorney, Agent, or Firm* — Bryan Cave Leighton Paisner LLP

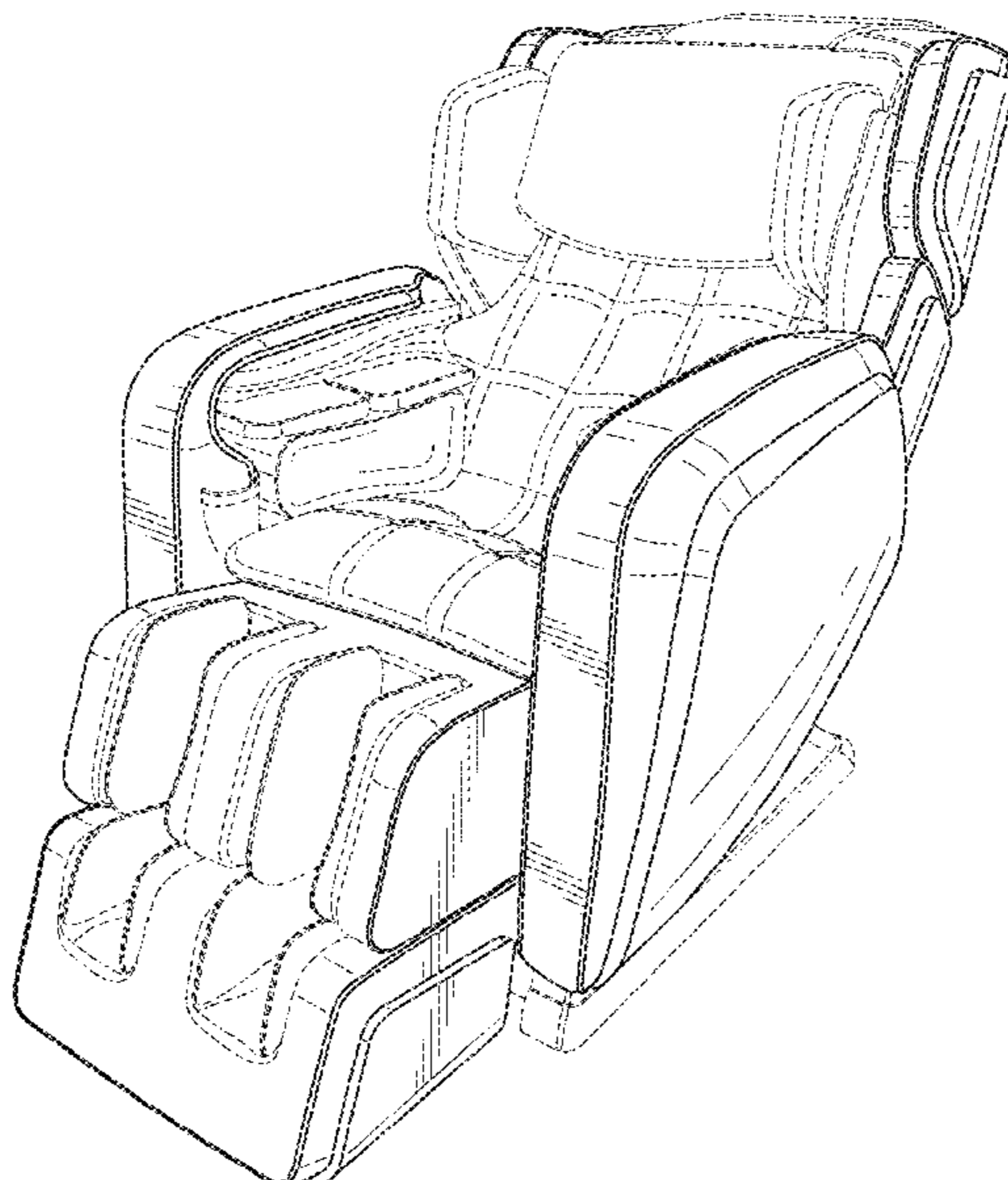
(57) **CLAIM**

The ornamental design for a massage chair, as shown and described.

DESCRIPTION

FIG. 1 is a front perspective view of an embodiment of the massage chair;
FIG. 2 is a front view thereof;
FIG. 3 is a side view thereof;
FIG. 4 is an opposite view thereof;
FIG. 5 is a rear view thereof;
FIG. 6 is an alternative rear view thereof with a rear head rest portion removed;
FIG. 7 is a top view thereof;
FIG. 8 is a rear perspective view thereof;
FIG. 9 is an enlarged, fragmentary view thereof showing a side arm of the massage chair; and,
FIG. 10 is an enlarged, fragmentary view thereof showing an opposite side arm of the massage chair.
The broken lines shown in the figures are for the purpose of illustrating unclaimed portions of the invention and boundaries only and form no part of the claimed design.

1 Claim, 9 Drawing Sheets



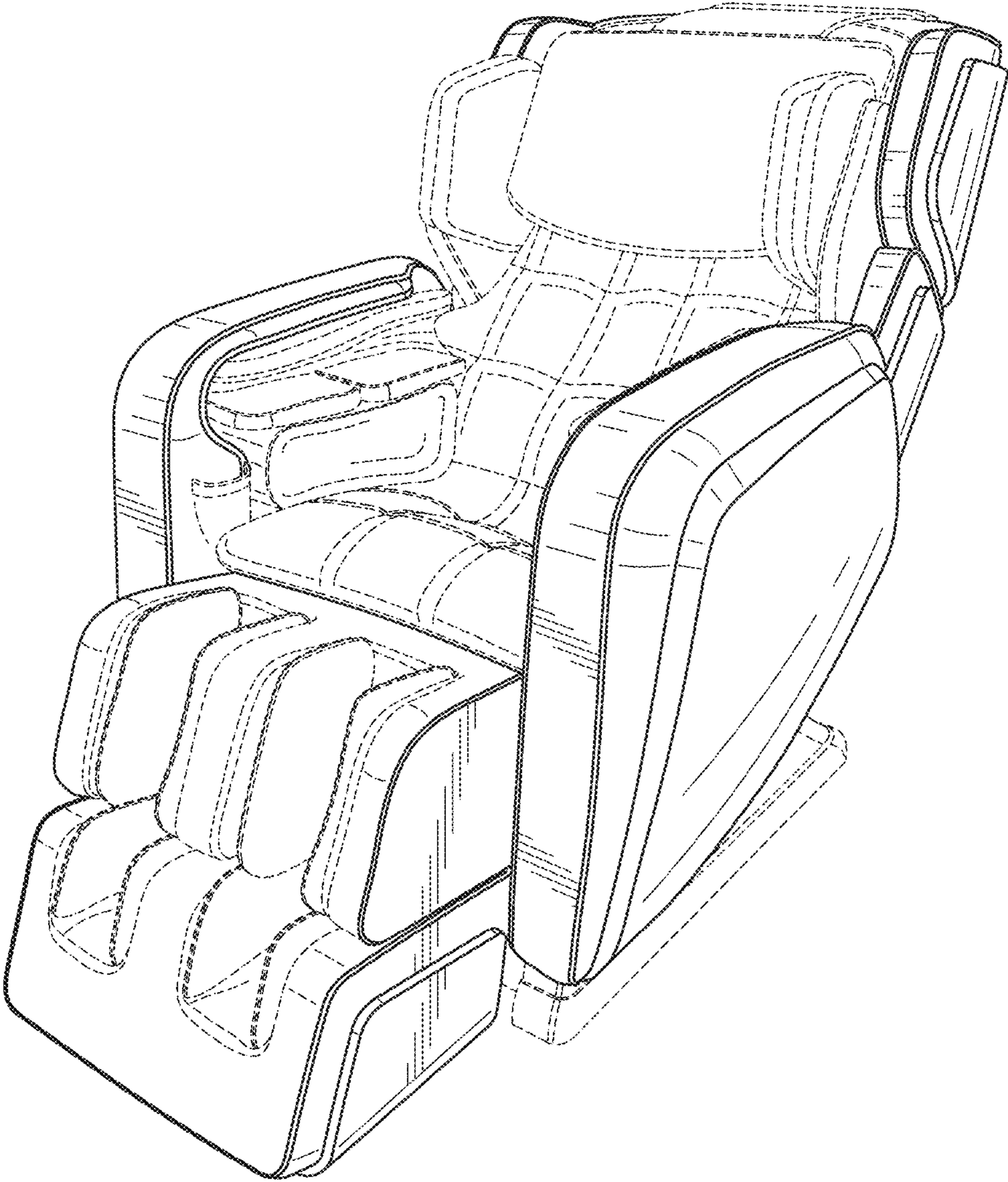


FIG. 1

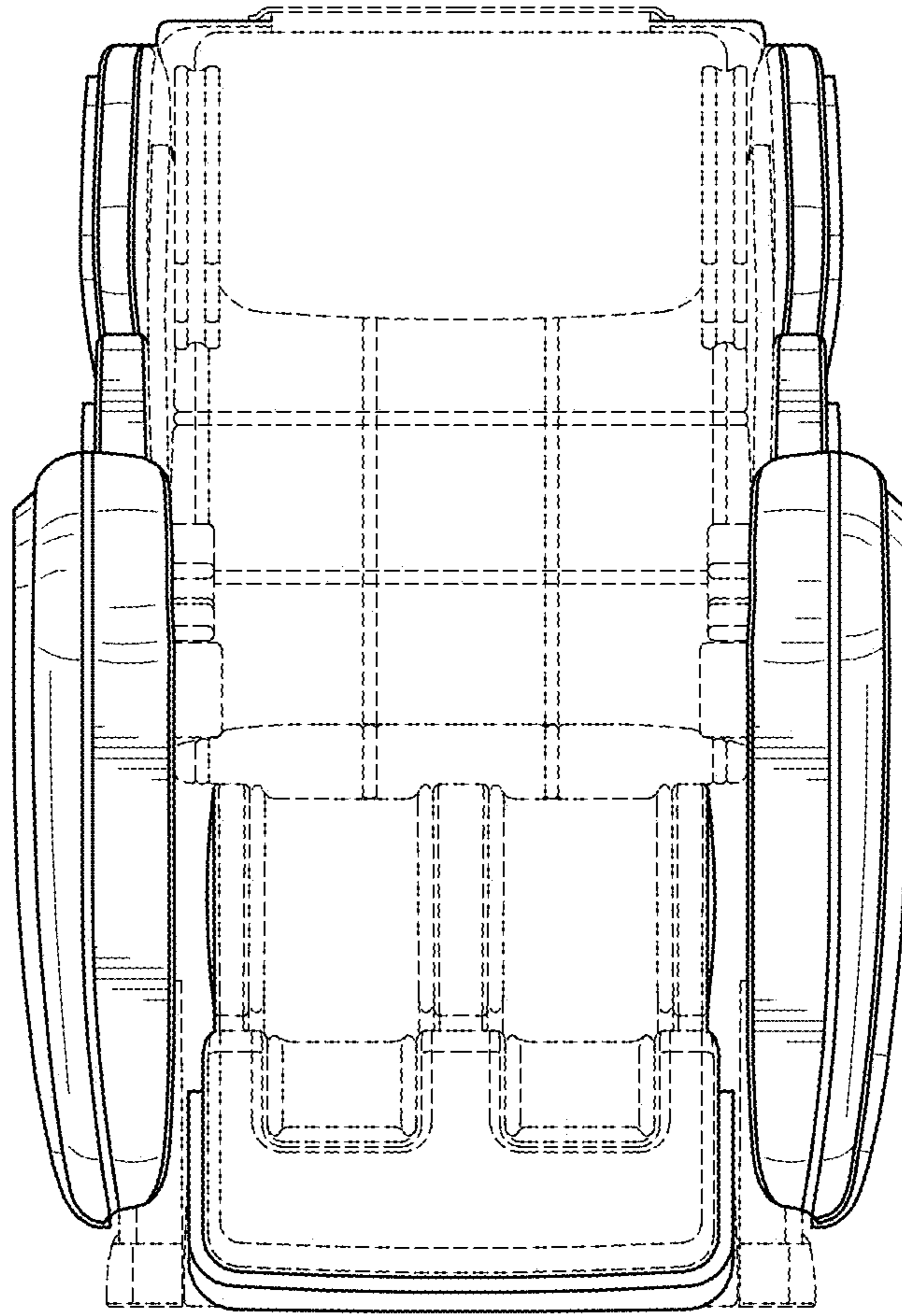


FIG. 2

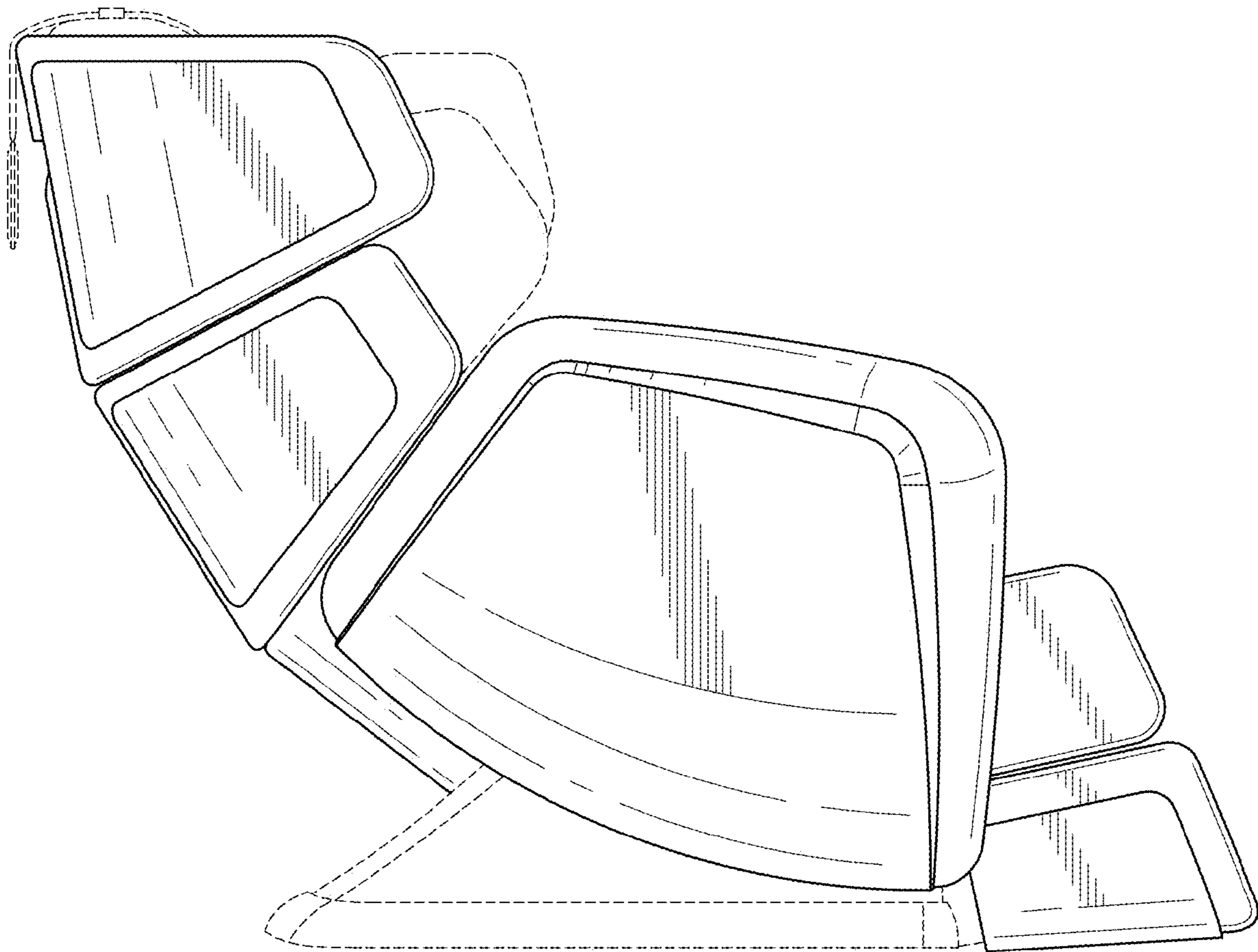


FIG. 3

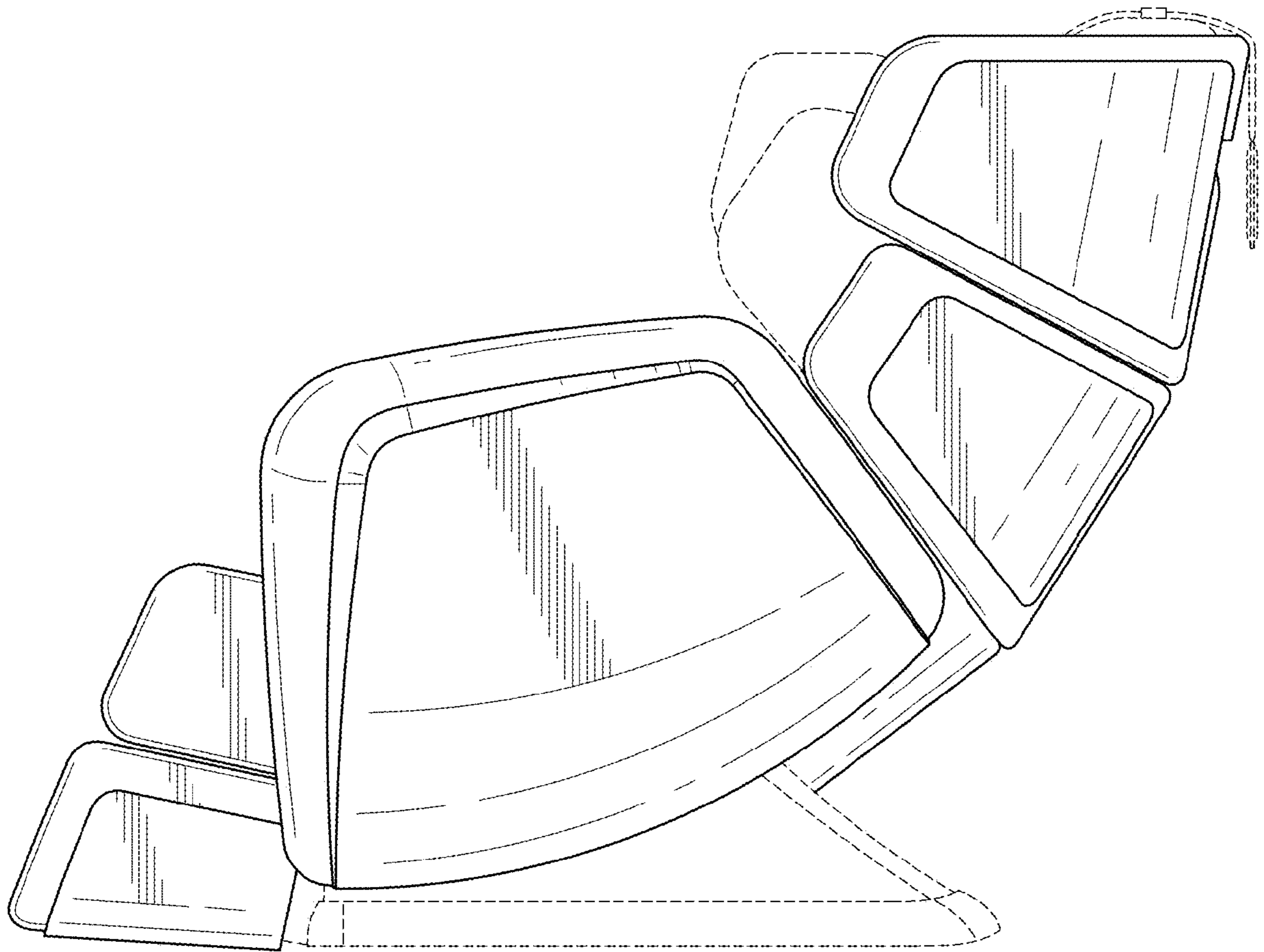


FIG. 4

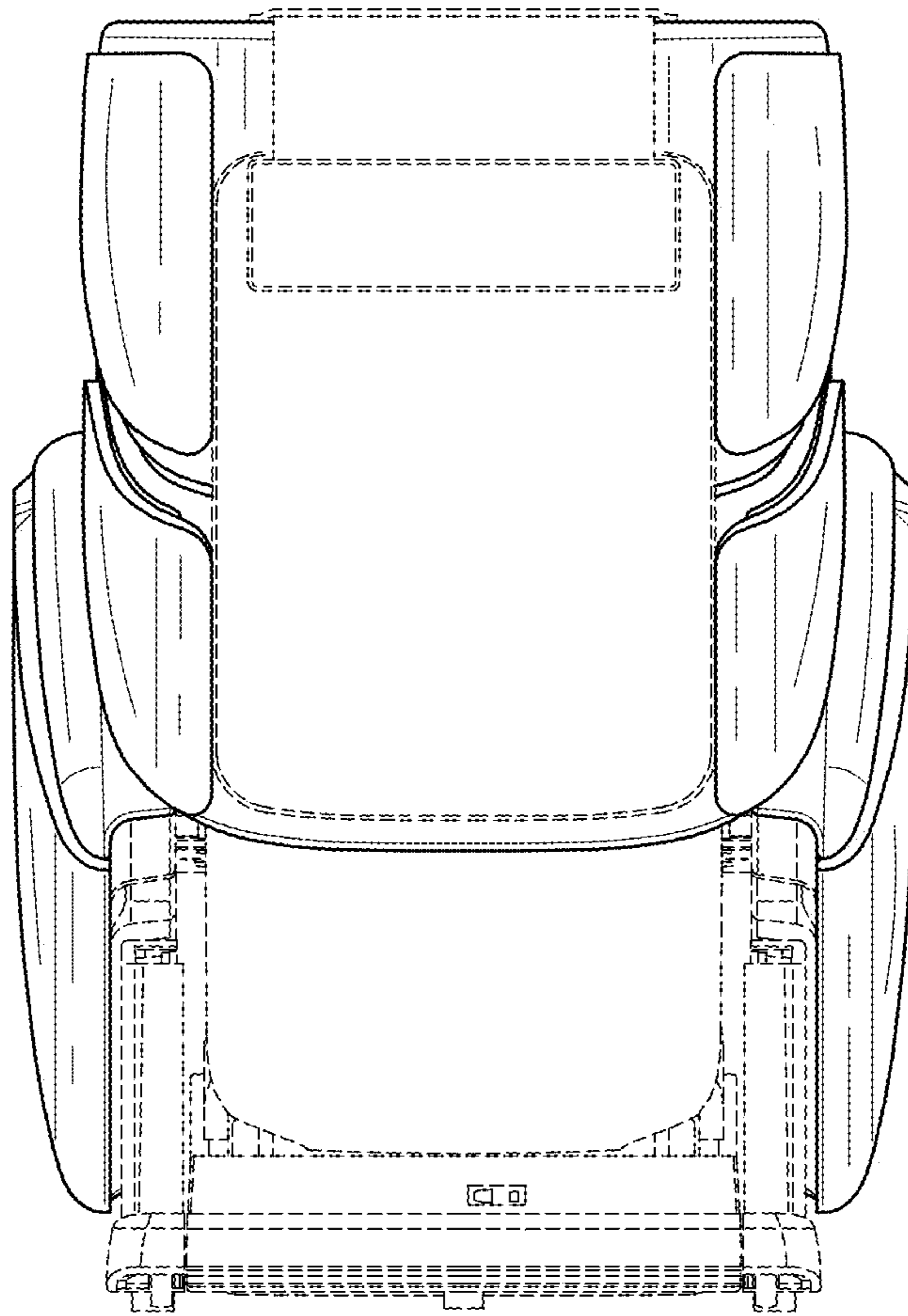


FIG. 5

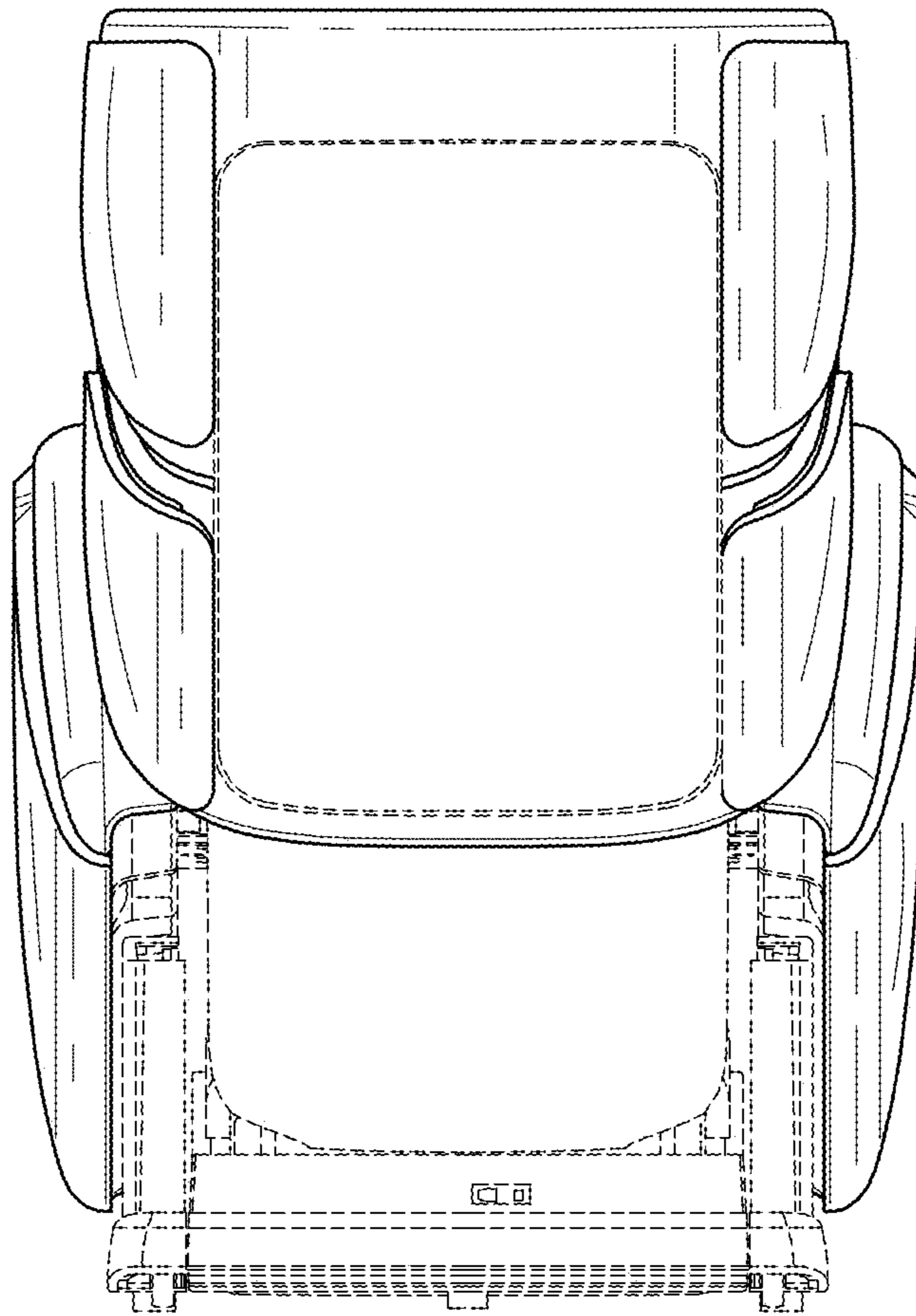


FIG. 6

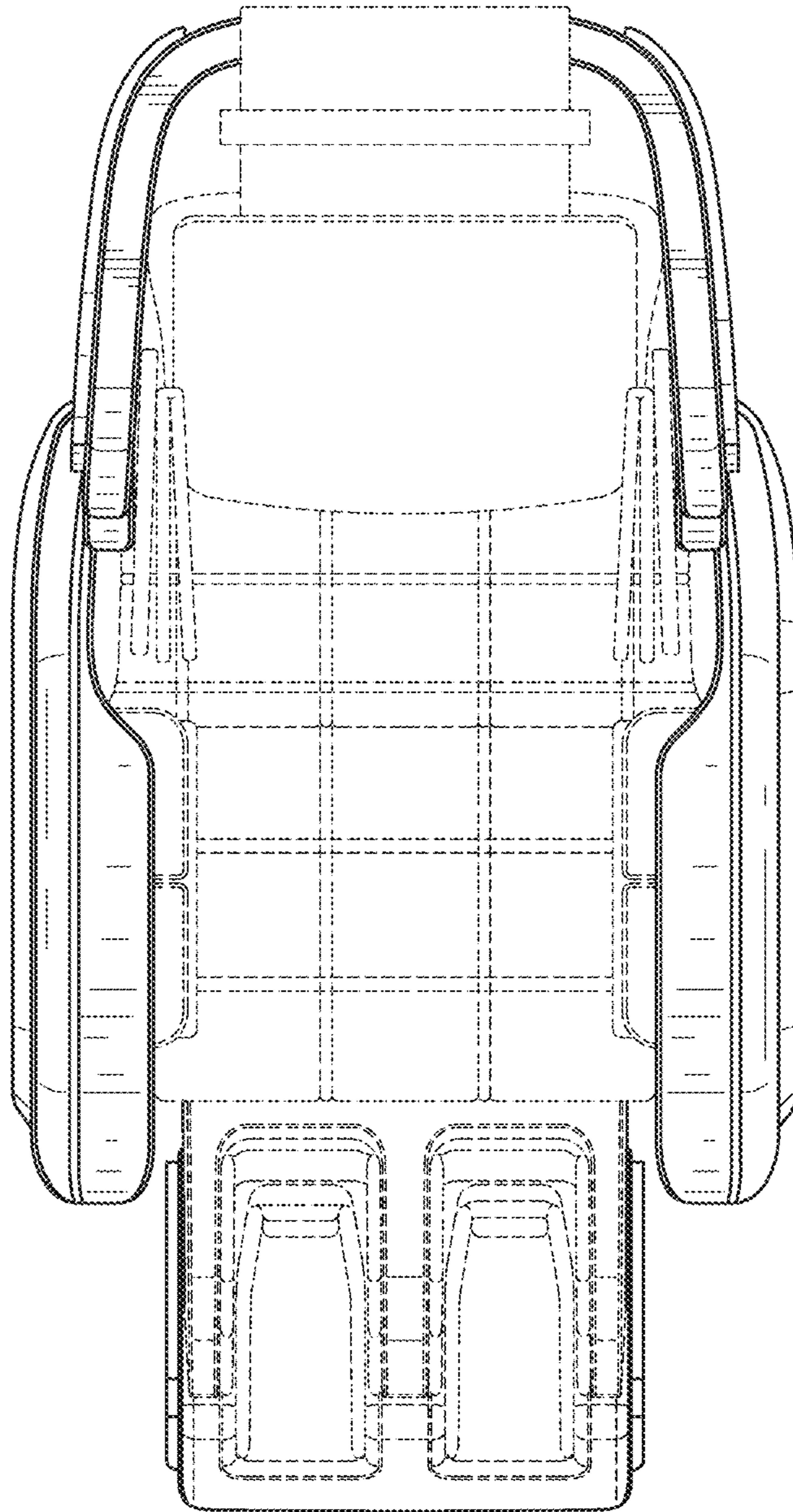


FIG. 7

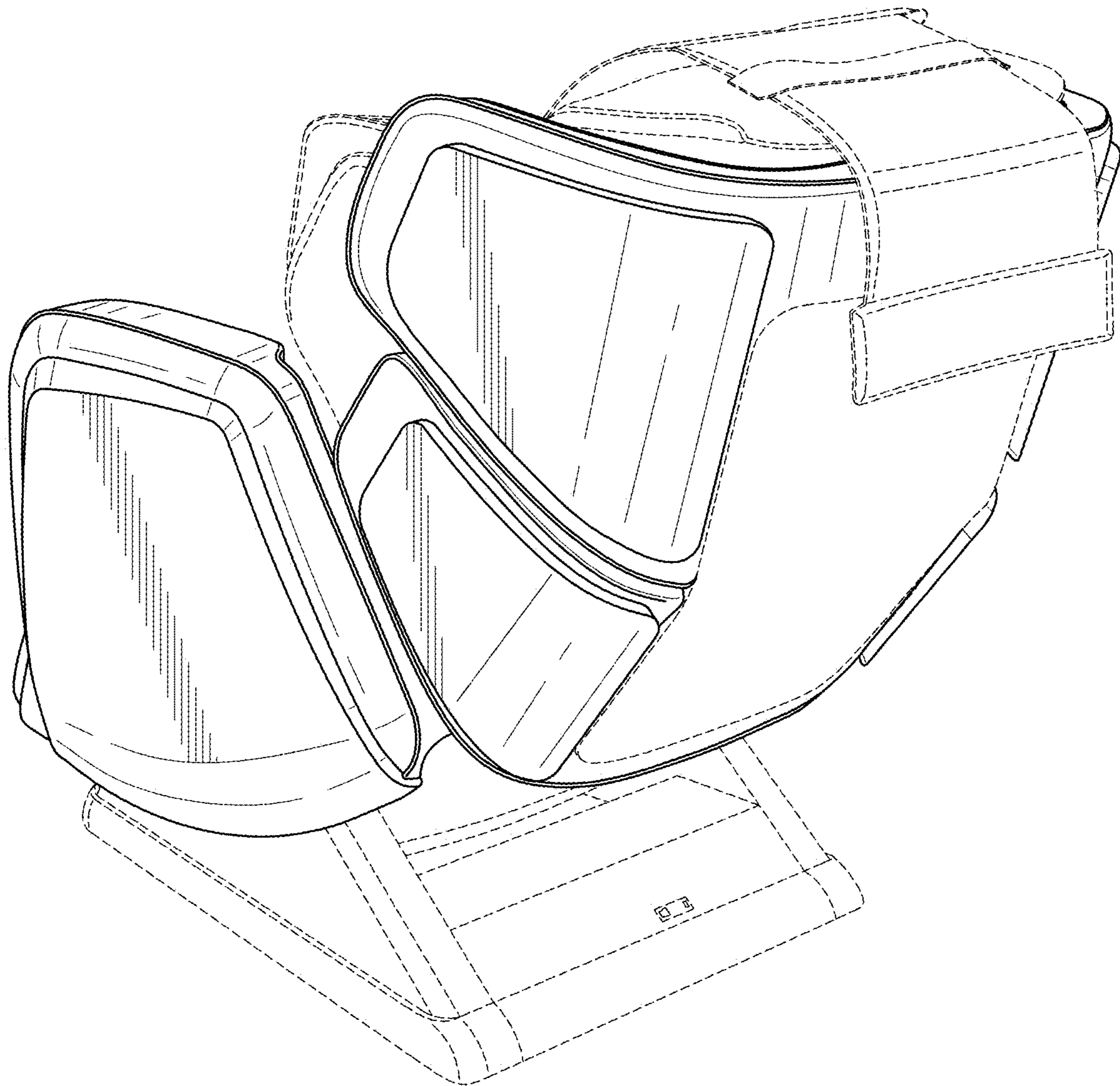


FIG. 8

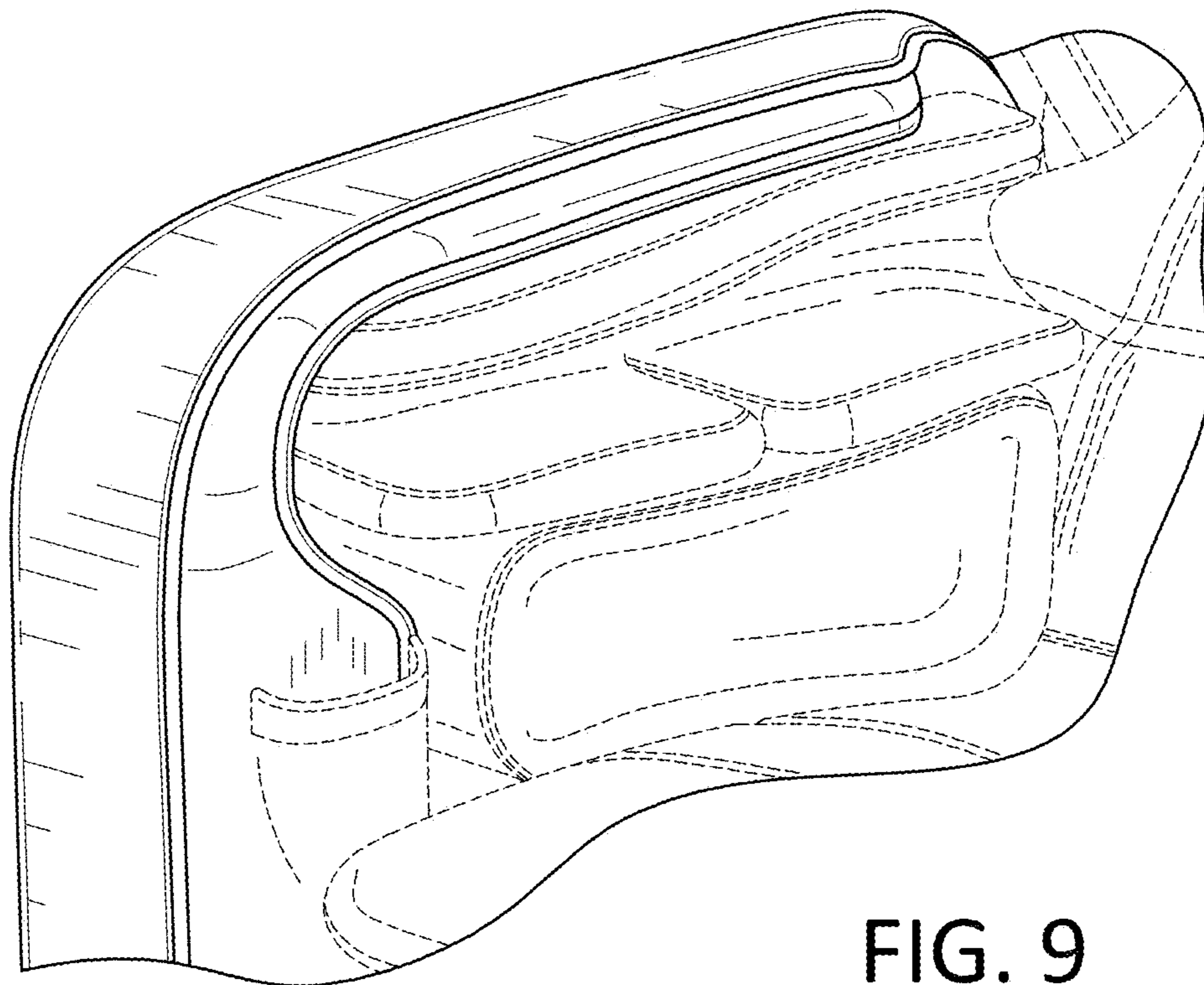


FIG. 9

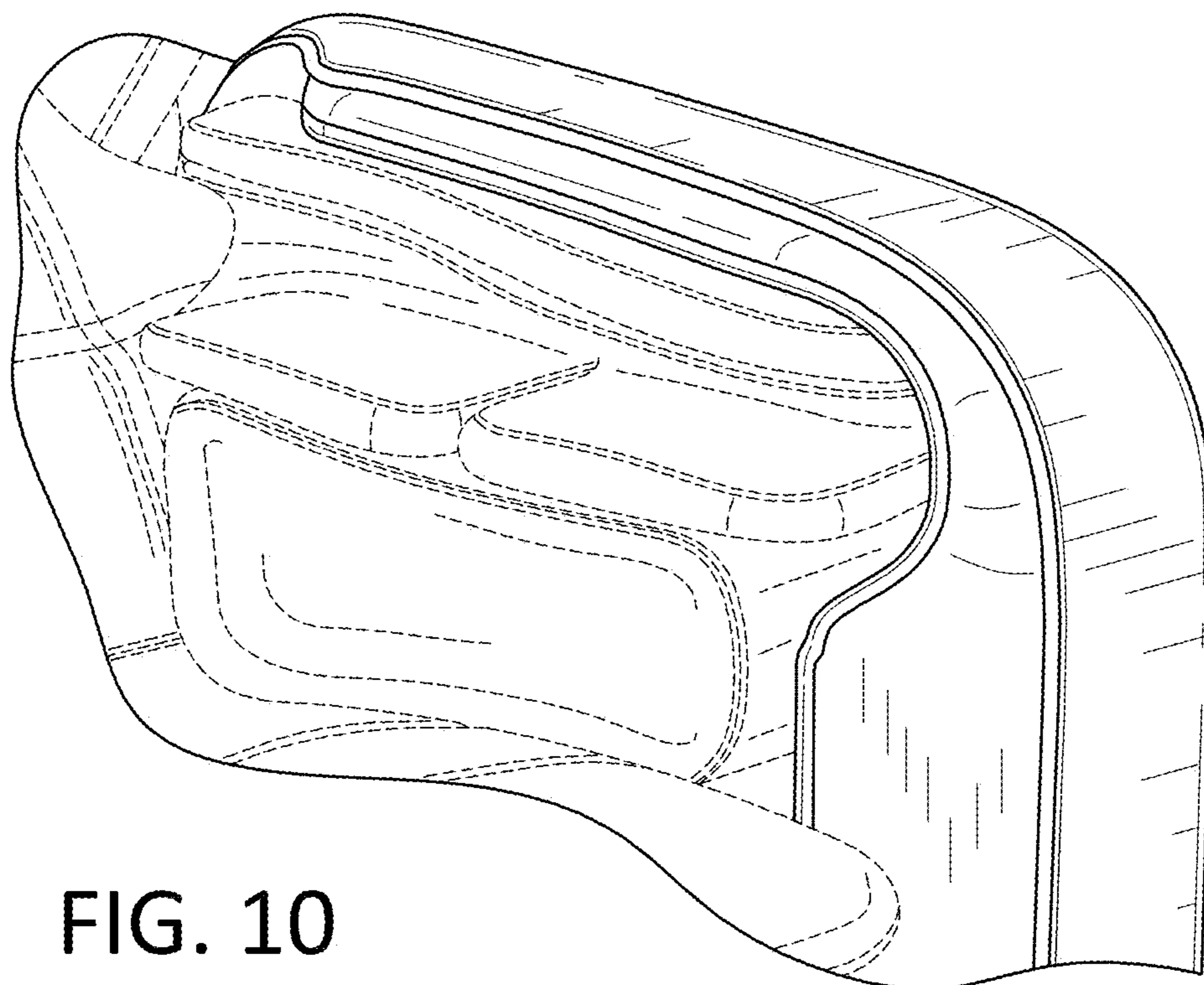


FIG. 10