



US00D891800S

(12) **United States Design Patent**  
**Li**

(10) **Patent No.:** **US D891,800 S**

(45) **Date of Patent:** **\*\* Aug. 4, 2020**

(54) **STOOL**

(71) Applicant: **39F USA INC**, Rancho Cucamonga,  
CA (US)

(72) Inventor: **Yuehai Li**, Rancho Cucamongo, CA  
(US)

(\*\*) Term: **15 Years**

(21) Appl. No.: **29/694,293**

(22) Filed: **Jun. 10, 2019**

(51) **LOC (12) Cl.** ..... **06-01**

(52) **U.S. Cl.**

USPC ..... **D6/360**

(58) **Field of Classification Search**

USPC ..... D6/334, 349, 360, 362, 374-377, 379,  
D6/381, 716, 716.1, 719.3

CPC .. A47C 1/00; A47C 1/02; A47C 1/024; A47C  
1/028; A47C 1/037; A47C 3/00; A47C  
3/04; A47C 3/14; A47C 3/20; A47C  
7/002; A47C 7/16; A47C 7/18; A47C  
4/04; A47C 4/08; A47C 4/18; A47C 4/28;  
A47C 4/54; A47C 11/00; A47C 9/007;  
A47C 13/00; A47C 15/002; A47C 17/02;  
A47C 31/11

See application file for complete search history.

(56) **References Cited**

**U.S. PATENT DOCUMENTS**

D417,087 S \* 11/1999 Pellegrom ..... D6/351  
D535,828 S \* 1/2007 Gasca Burges ..... D6/349

D639,082 S \* 6/2011 Pengelly ..... D6/360  
D657,149 S \* 4/2012 Lievore ..... D6/360  
D741,073 S \* 10/2015 Keen ..... D6/349  
D799,229 S \* 10/2017 Pan ..... D6/364  
D807,091 S \* 1/2018 Morrison ..... D6/716  
D814,203 S \* 4/2018 Liu ..... D6/360  
D814,814 S \* 4/2018 Spoelhof ..... D6/349  
D824,682 S \* 8/2018 Zanayed ..... D6/352  
D846,930 S \* 4/2019 Patton ..... D6/716

\* cited by examiner

*Primary Examiner* — R. Johnson

(74) *Attorney, Agent, or Firm* — Feng Qian

(57) **CLAIM**

The ornamental design for a stool, as shown and described.

**DESCRIPTION**

FIG. 1 is a front perspective view of a stool showing my new design;

FIG. 2 is a front elevation view thereof;

FIG. 3 is a rear elevation view thereof;

FIG. 4 is a left-side elevation view thereof;

FIG. 5 is a right-side elevation view thereof;

FIG. 6 is a top plan view thereof; and,

FIG. 7 is a bottom plan view thereof.

**1 Claim, 7 Drawing Sheets**



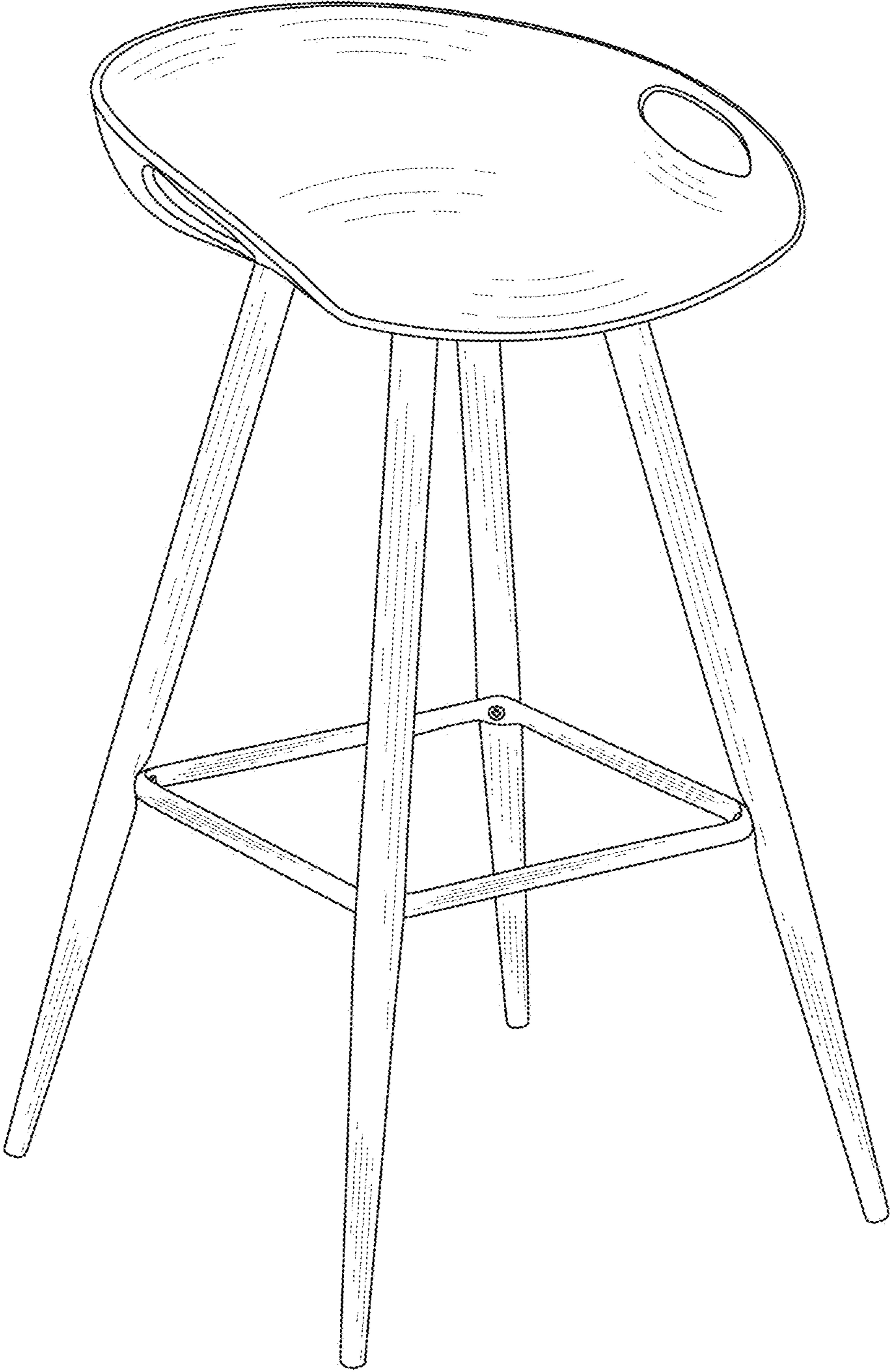


Fig.1

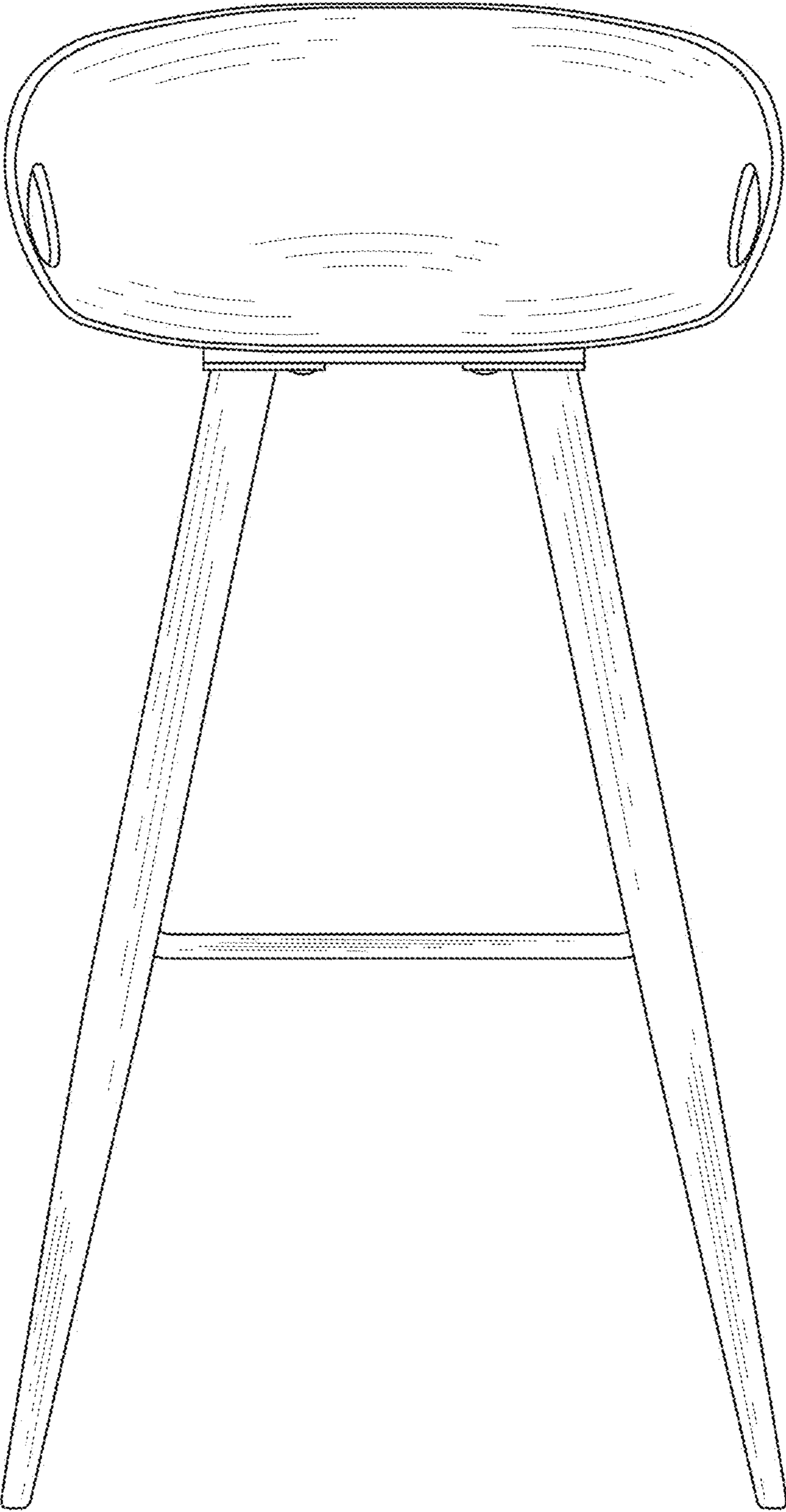


Fig.2

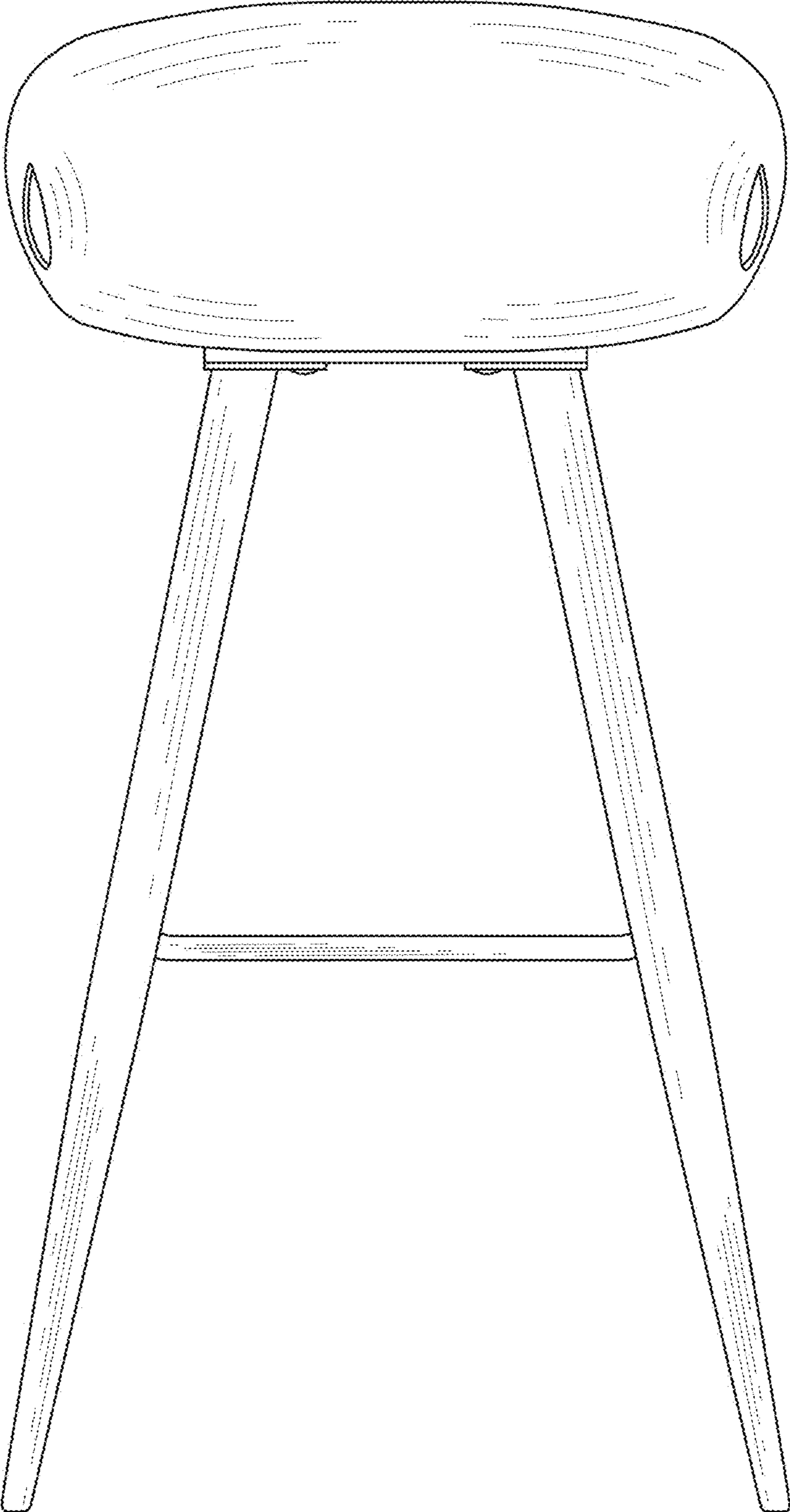


Fig.3

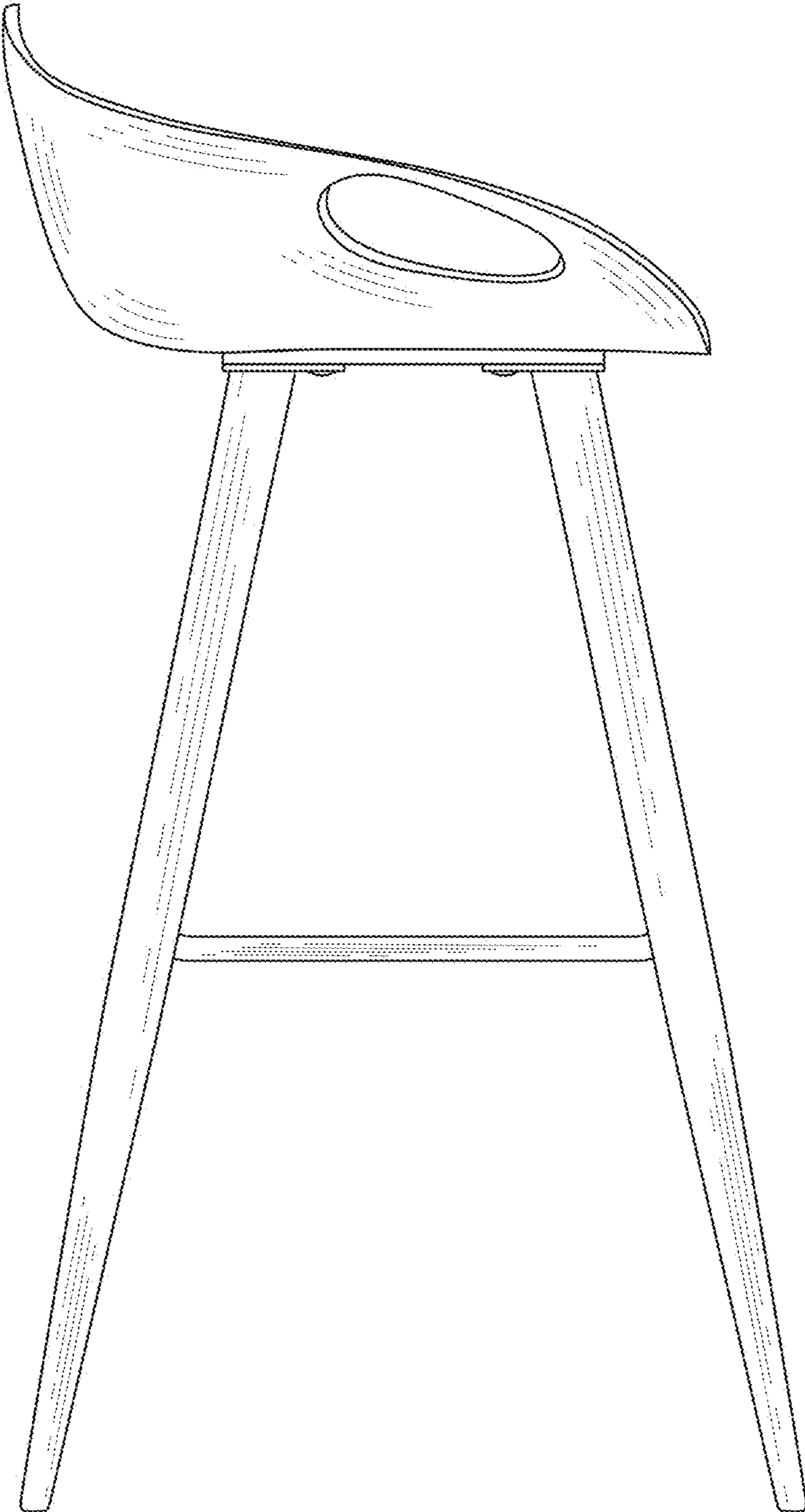


Fig.4

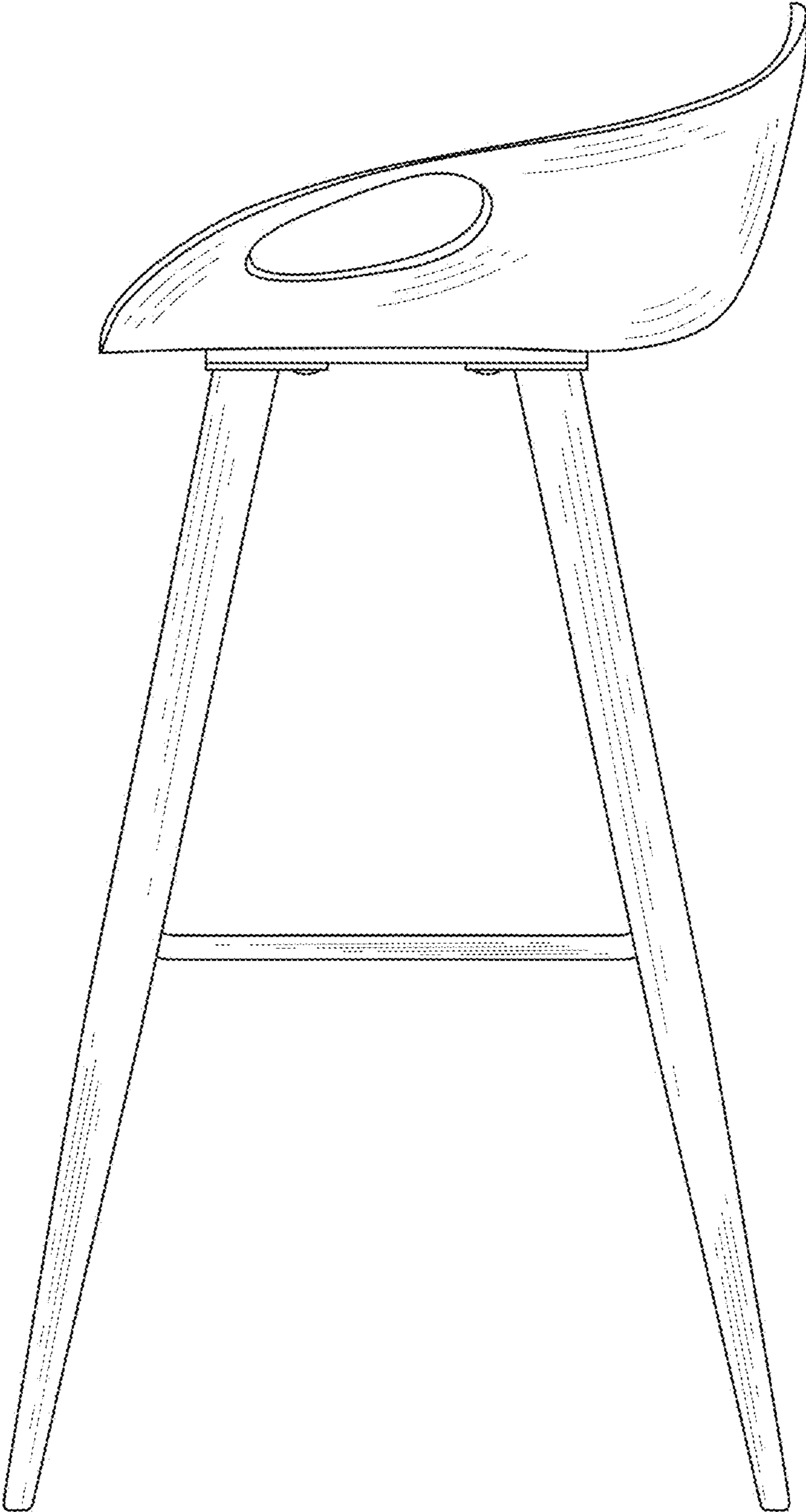


Fig.5

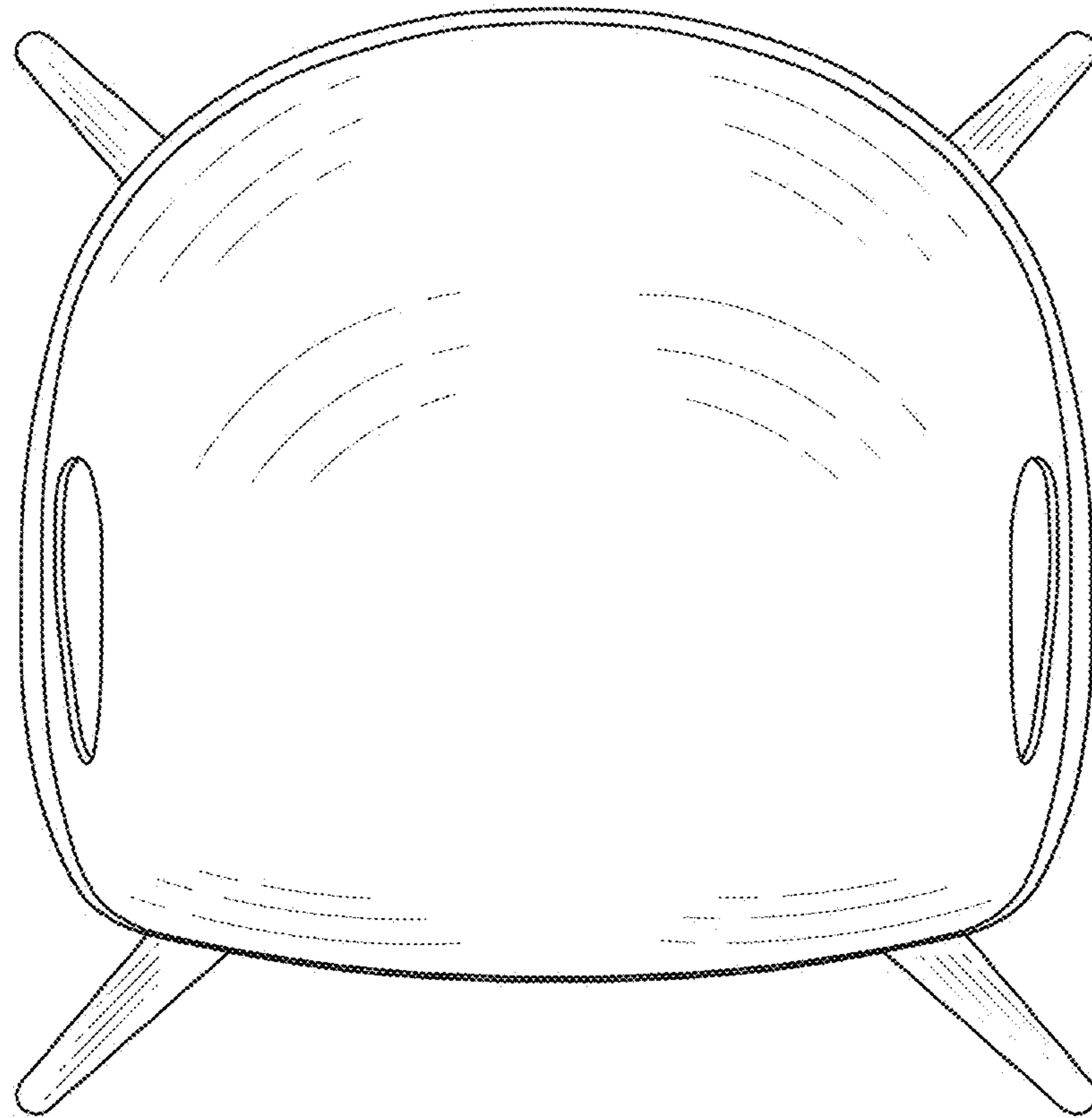


Fig.6

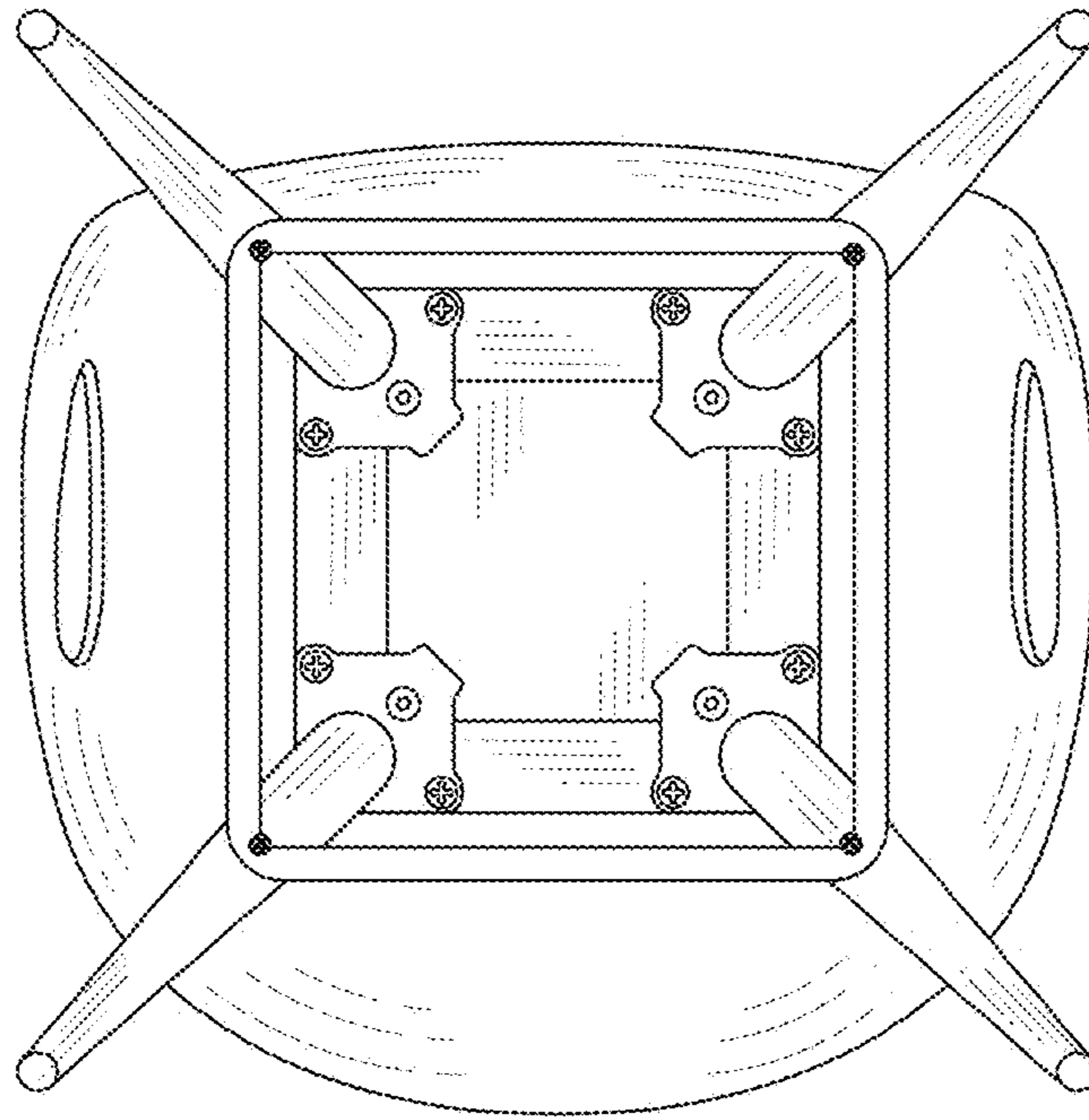


Fig.7