



US00D891797S

(12) **United States Design Patent** (10) **Patent No.:** **US D891,797 S**
Li (45) **Date of Patent:** **** Aug. 4, 2020**

(54) **STOOL**
(71) Applicant: **39F USA INC**, Rancho Cucamonga, CA (US)
(72) Inventor: **Yuehai Li**, Rancho Cucamonga, CA (US)
(**) Term: **15 Years**
(21) Appl. No.: **29/687,588**
(22) Filed: **Apr. 13, 2019**
(51) **LOC (12) Cl.** **06-01**
(52) **U.S. Cl.**
USPC **D6/352; D6/353**
(58) **Field of Classification Search**
USPC D6/334, 335, 349-353, 354, 355, 360, D6/363, 364-365, 368, 596, 601, 604, D6/691-691.9, 692-692.6, 716-716.1; D25/65
CPC A47B 7/00-02; A47C 11/00; A47C 12/00; A47C 13/00; A47C 16/00; A47C 16/02-04; A47C 9/00-105; A47K 17/02; A47K 17/028
See application file for complete search history.

D232,879 S * 9/1974 Samhammer D6/360
D232,880 S * 9/1974 Samhammer D6/352
D244,107 S * 4/1977 Zola D6/352
4,998,774 A * 3/1991 Huff A47C 9/007
297/452.41
D434,574 S * 12/2000 Walters-Dowding D6/360
D531,419 S * 11/2006 Whiteside D6/352
D576,414 S * 9/2008 Chen D6/360
D579,676 S * 11/2008 Rheault D6/349
D579,677 S * 11/2008 Zhou D6/349
D708,448 S * 7/2014 Hernandez D6/360
D719,749 S * 12/2014 Hernandez D6/349
D824,682 S * 8/2018 Zanayed D6/352
2008/0001462 A1 * 1/2008 Holland A47B 13/023
297/440.1

(56) **References Cited**
U.S. PATENT DOCUMENTS
2,132,291 A * 10/1938 Fitos A47C 3/025
248/583
2,471,740 A * 5/1949 Hamilton A47B 3/12
248/188
D156,463 S * 12/1949 Rita D6/352
2,519,709 A * 8/1950 Seott A47C 3/18
297/461
2,525,670 A * 10/1950 Hamilton A47C 7/26
5/402
2,528,950 A * 11/1950 Engstrom A47C 3/18
5/402
D174,695 S * 5/1955 Kipp D6/352

OTHER PUBLICATIONS

Boone Grey 39f. [online] Retrieved May 20, 2020 from URL: <http://39f.net/goods.php?id=17253>.
Stools Vinyl Upholstered Interior. [online] Retrieved May 15, 2020 from URL: <https://www.globalindustrial.com/p/office/stools/vinyl/diesel-industrial-stool-without-back>.

* cited by examiner

Primary Examiner — Vy N Koenig
(74) *Attorney, Agent, or Firm* — Feng Qian

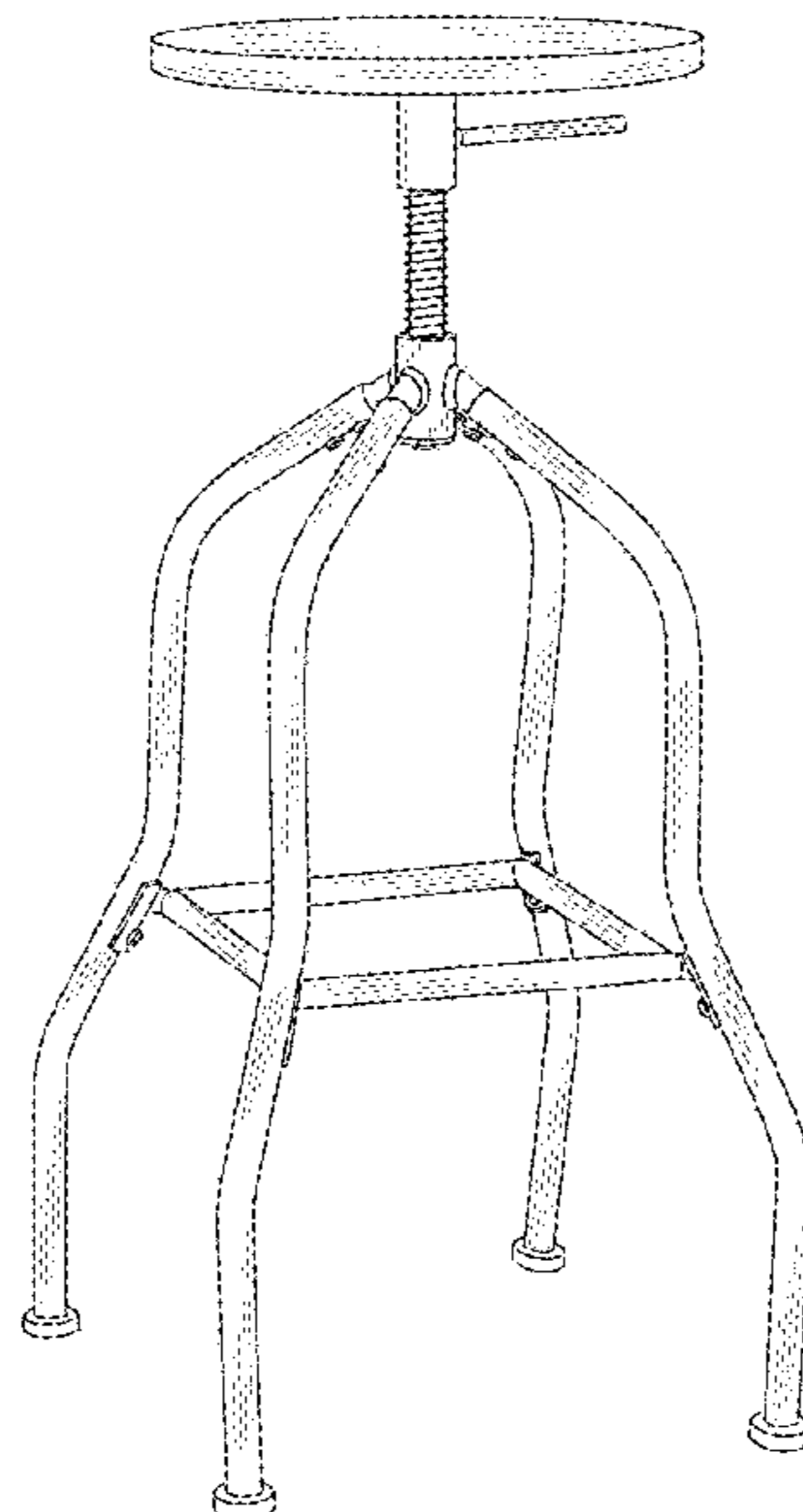
(57) **CLAIM**

The ornamental design for a stool, as shown and described.

DESCRIPTION

FIG. 1 is a front perspective view of a stool showing my new design;
FIG. 2 is a front elevation view thereof;
FIG. 3 is a rear elevation view thereof;
FIG. 4 is a left-side elevation view thereof;
FIG. 5 is a right-side elevation view thereof;
FIG. 6 is a top plan view thereof; and,
FIG. 7 is a rear plan view thereof.

1 Claim, 7 Drawing Sheets



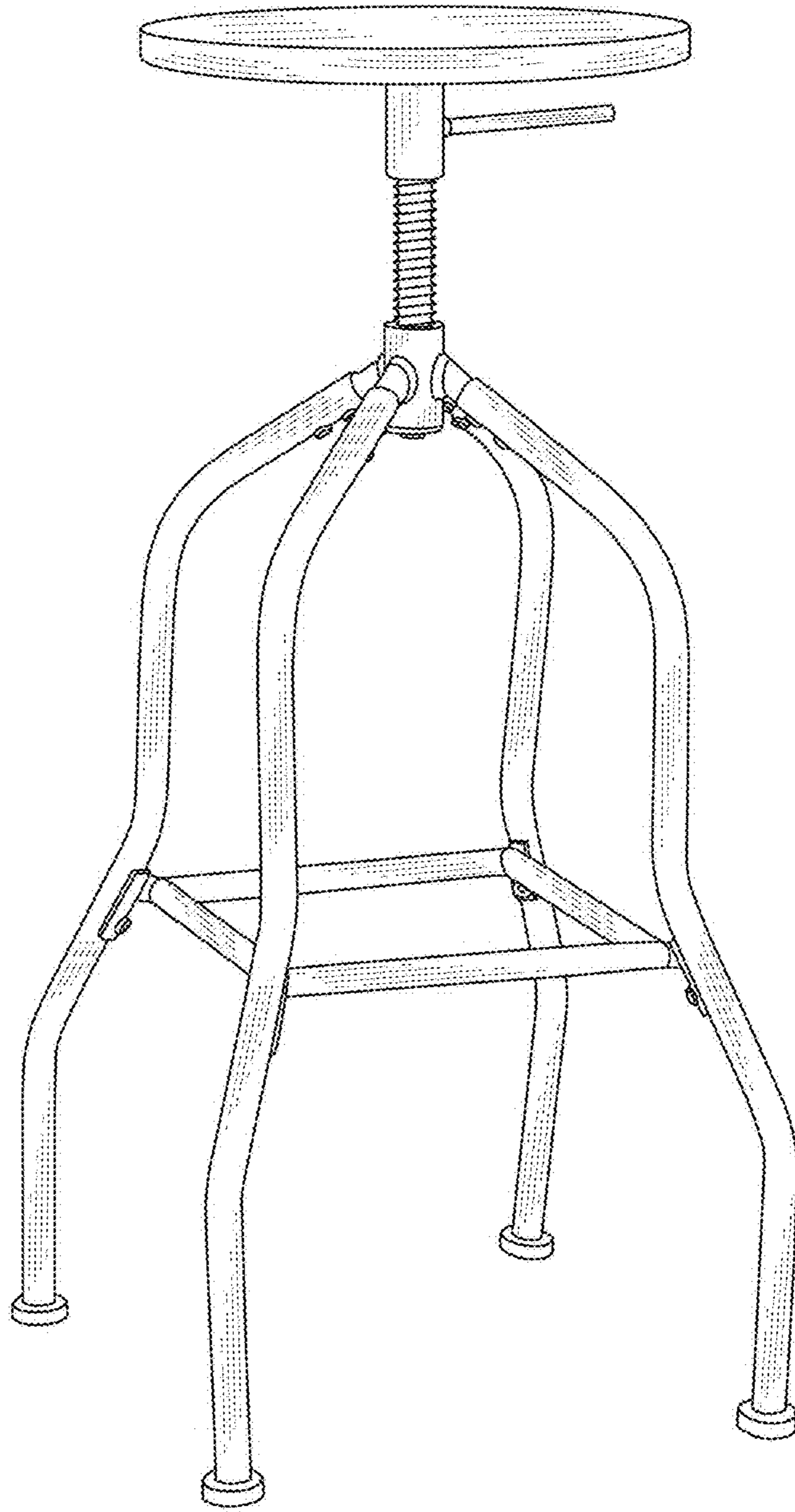


Fig.1

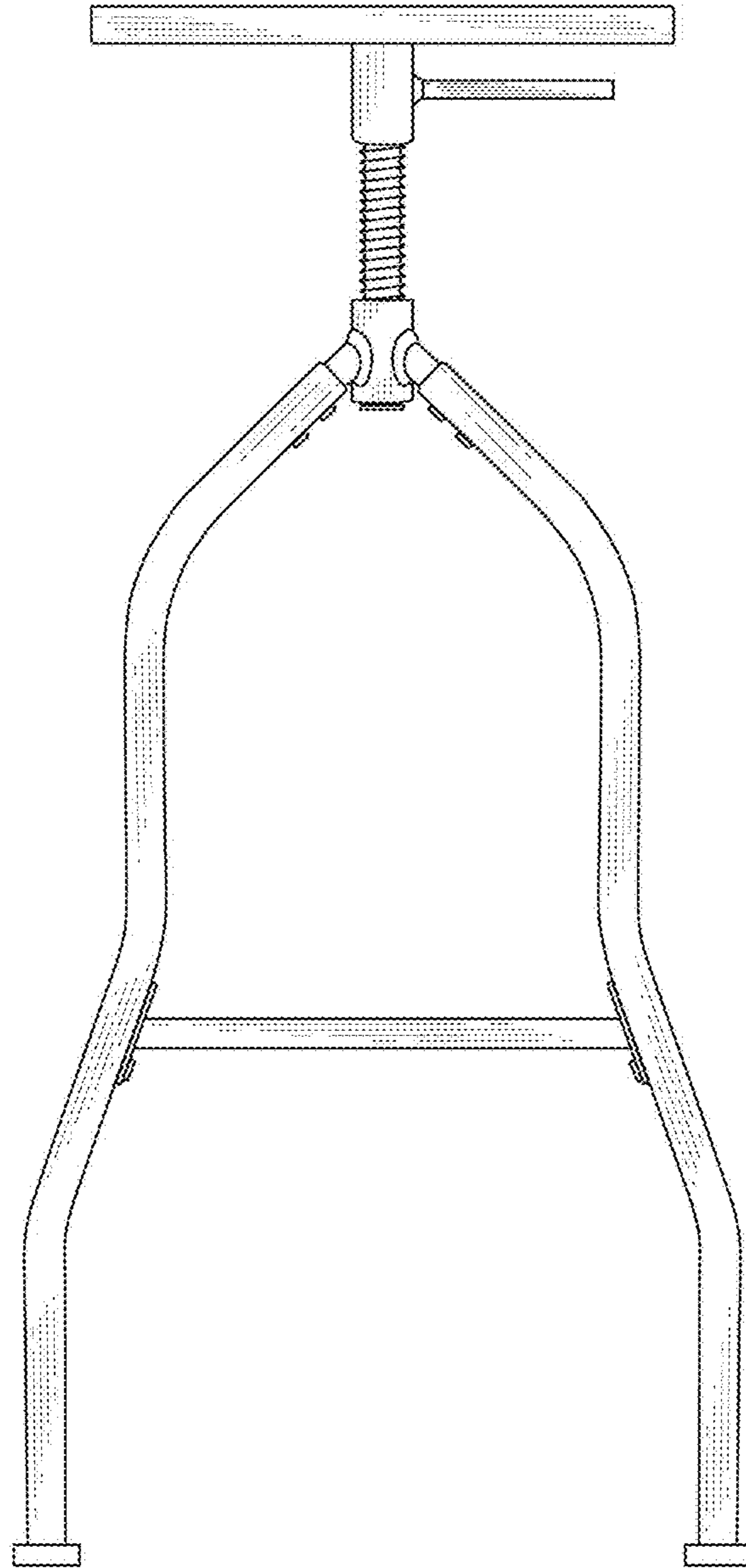


Fig.2

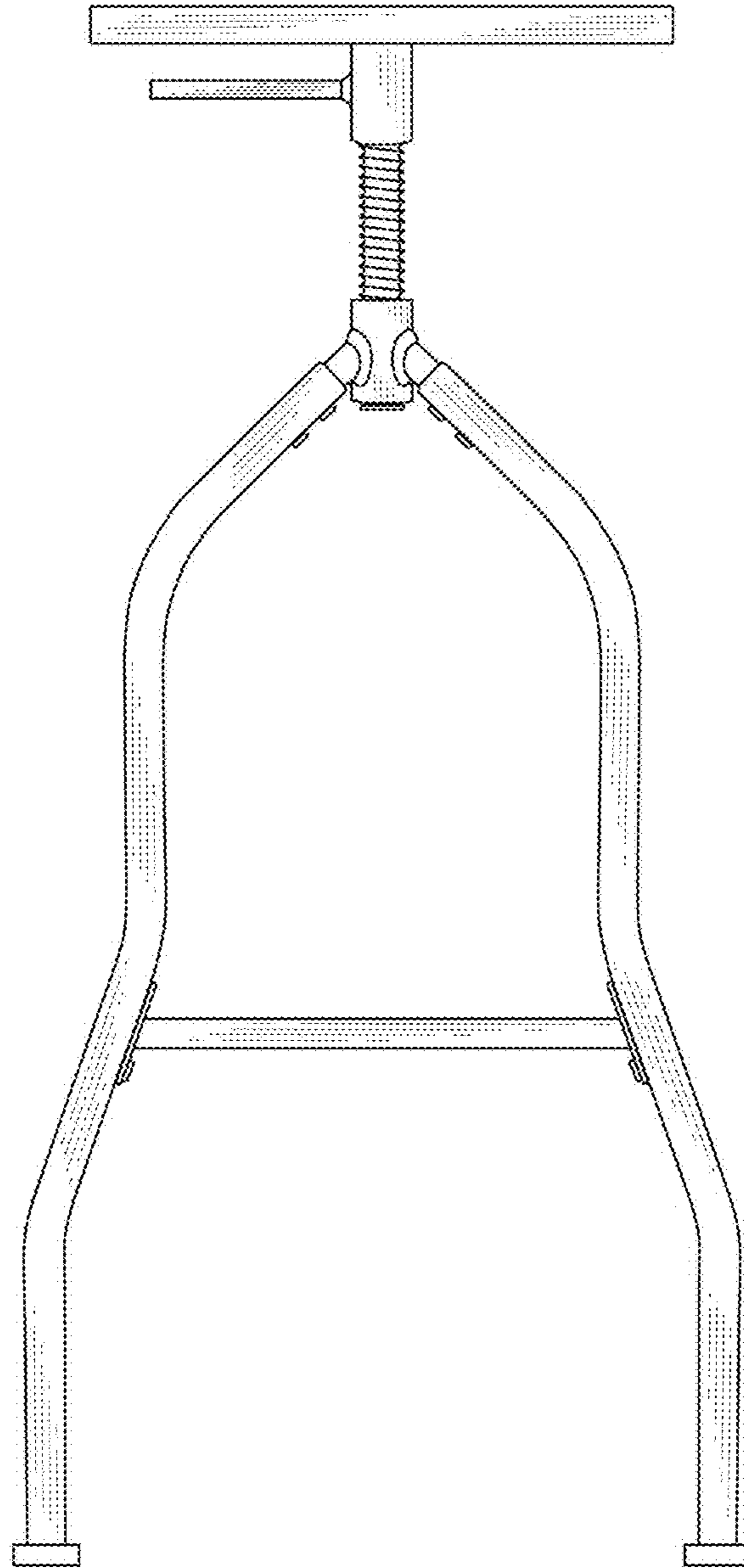


Fig.3

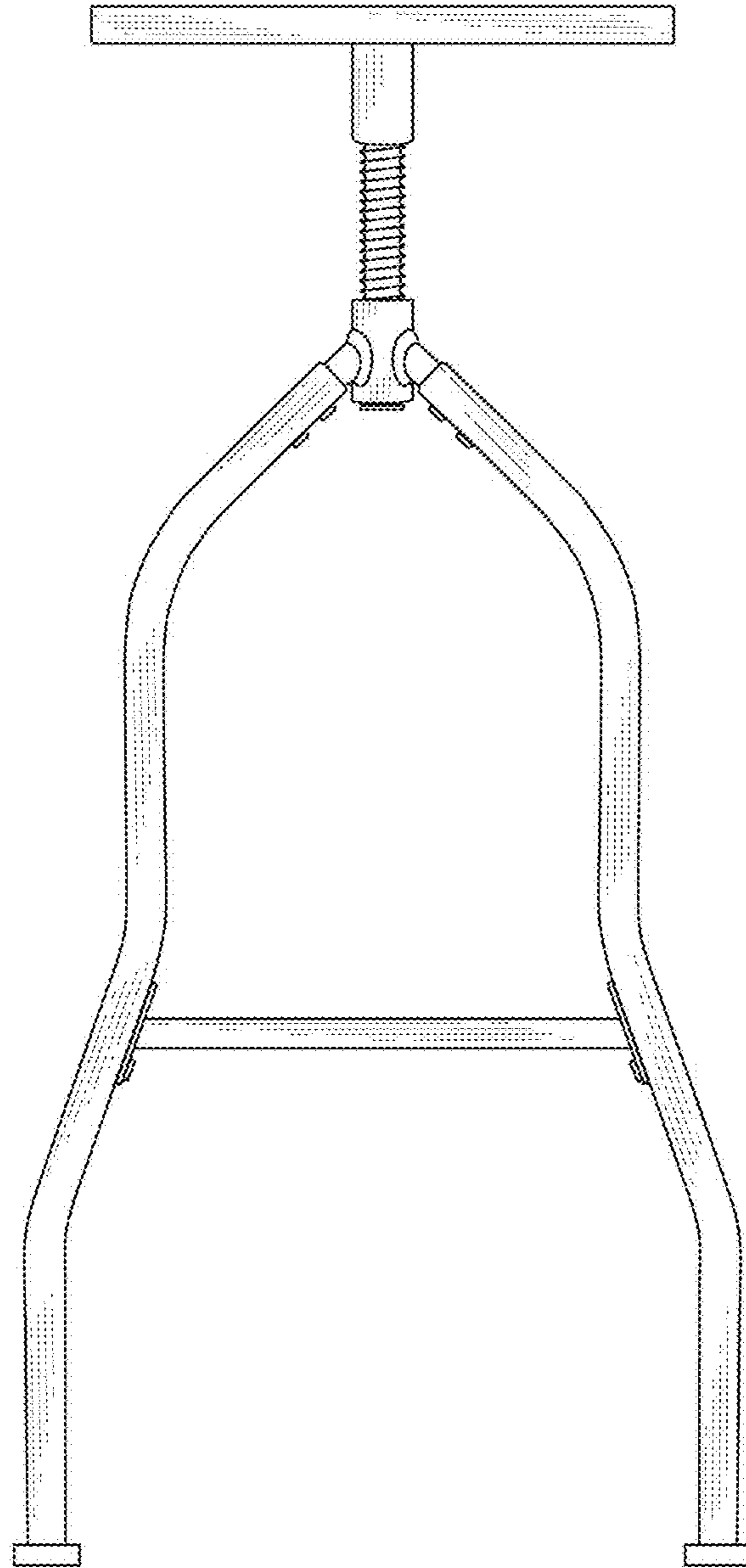


Fig.4

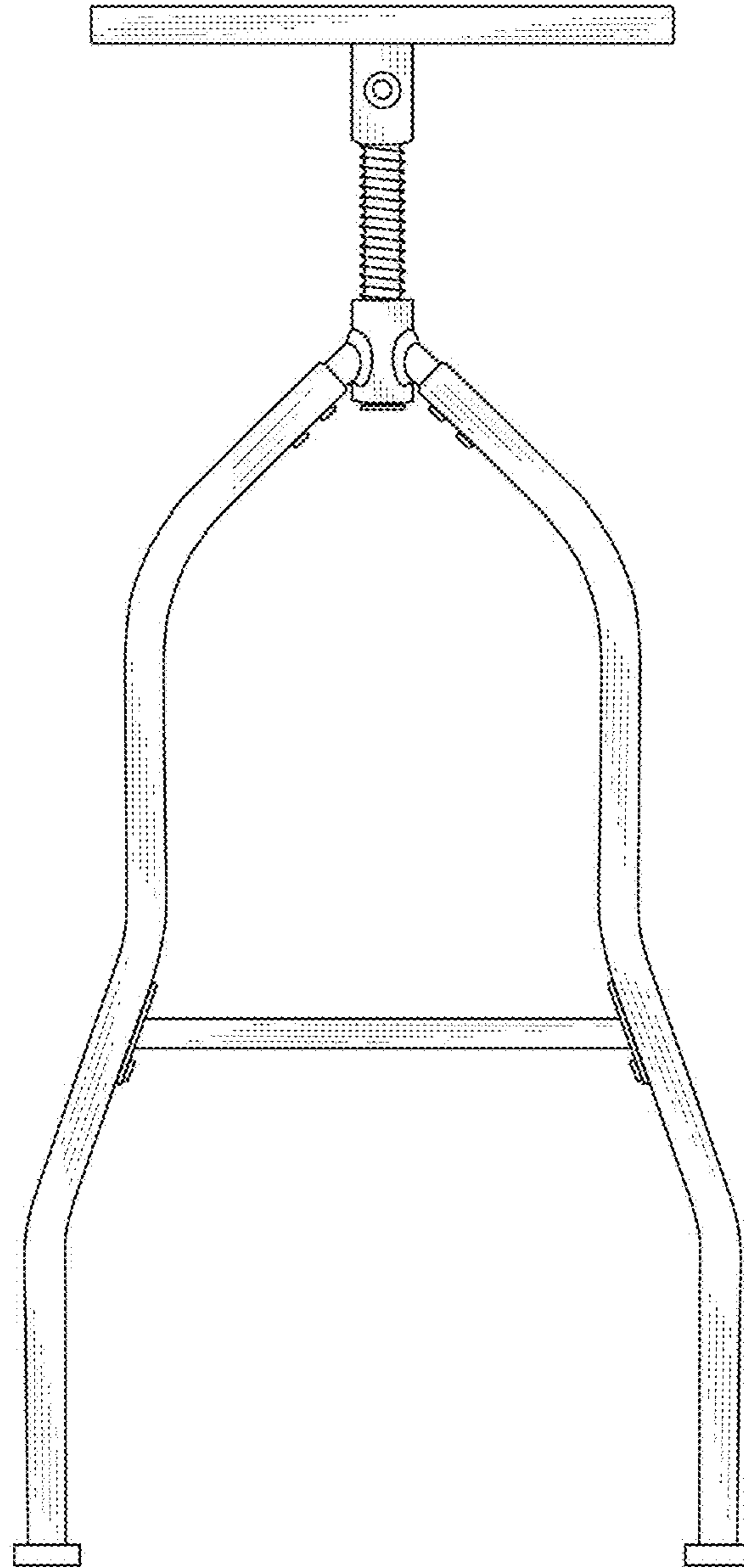


Fig.5

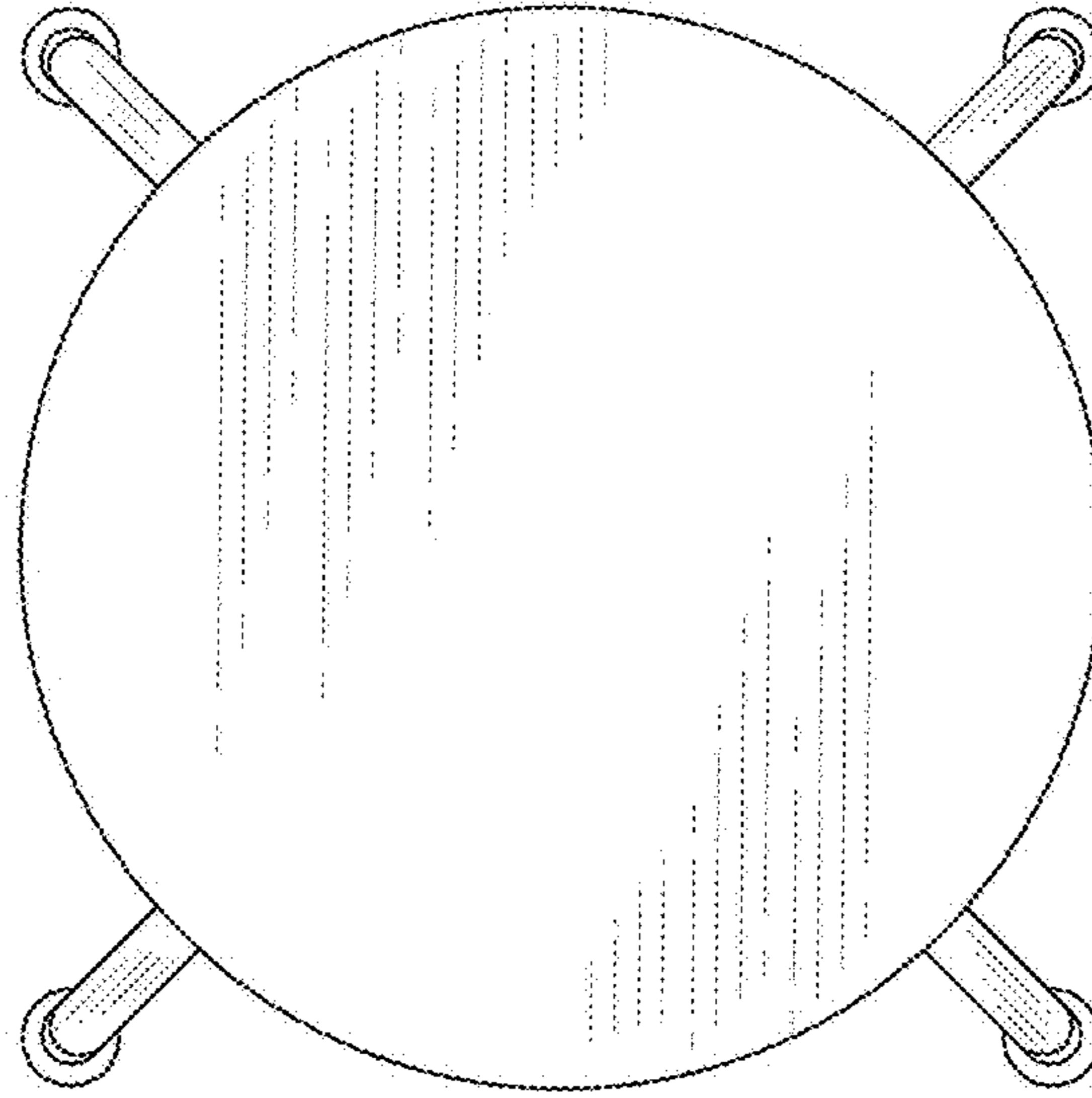


Fig.6

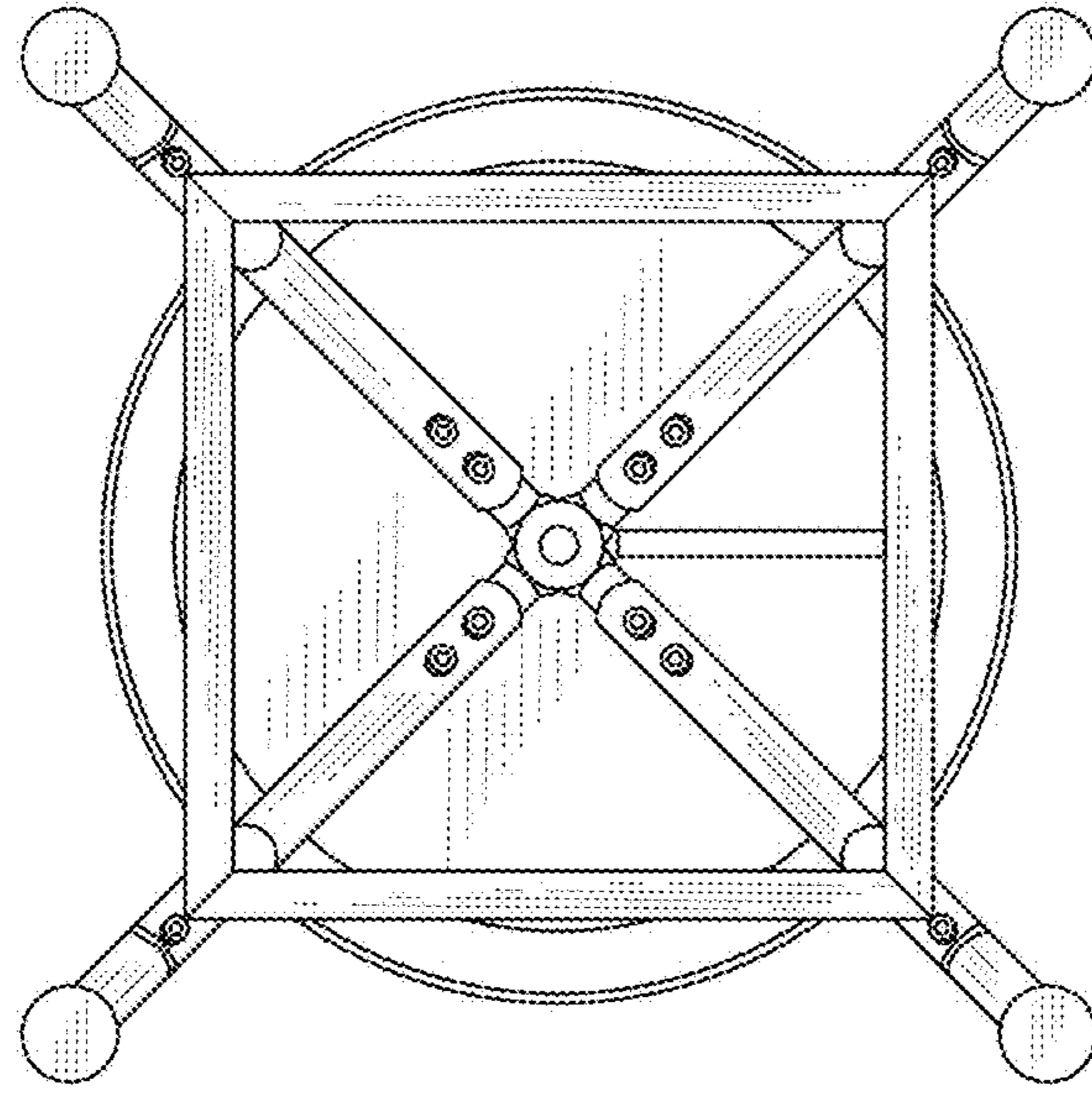


Fig.7