



US00D891796S

(12) **United States Design Patent** (10) **Patent No.:** **US D891,796 S**
Li (45) **Date of Patent:** **** Aug. 4, 2020**

(54) **STOOL**

D860,667 S * 9/2019 Urquiola D6/360
D867,778 S * 11/2019 Giotti D6/360
D877,525 S * 3/2020 Novak D6/360

(71) Applicant: **39F USA INC**, Rancho Cucamonga, CA (US)

(72) Inventor: **Yuehai Li**, Rancho Cucamonga, CA (US)

(**) Term: **15 Years**

(21) Appl. No.: **29/687,544**

(22) Filed: **Apr. 12, 2019**

(51) **LOC (12) Cl.** **06-01**

(52) **U.S. Cl.**
USPC **D6/349**

(58) **Field of Classification Search**
USPC D6/334, 335, 349–353, 354, 355, 360,
D6/363, 364–365, 368, 596, 601, 604,
D6/691–691.9, 692–692.6, 716–716.1;
D25/65
CPC A47B 7/00–02; A47C 11/00; A47C 12/00;
A47C 13/00; A47C 16/00; A47C
16/02–04; A47C 9/00–105; A47K 17/02;
A47K 17/028

See application file for complete search history.

(56) **References Cited**

U.S. PATENT DOCUMENTS

D417,087 S * 11/1999 Pellegrom D6/351
D533,728 S * 12/2006 Martin D6/372
D696,036 S * 12/2013 Starck D6/360
D766,002 S * 9/2016 Wu D6/360
D799,227 S * 10/2017 Martinez D6/360
D825,943 S * 8/2018 Boonen D6/360

OTHER PUBLICATIONS

EAHKGmh Bar Stool, Wooden Barstools Chair with Footrest. [online] Published on Oct. 11, 2019. Retrieved May 20, 2020 from URL: <https://www.amazon.com/EAHKGmh-Barstools-Eco-Friendly-Ergonomic-Arc-Shaped/dp/B07YZ2CN99>.
Goods List. [online] Retrieved Jun. 18, 2020 from URL: http://39f.net/brand.php?id=2&cat=22&page=2&sort=last_update&order=DESC.
Hunter Bar Stool. [online] Retrieved Jun. 18, 2020 from URL: <https://www.cielo.co.za/bar-stools/hunter-bar-stool>.

* cited by examiner

Primary Examiner — Vy N Koenig
(74) *Attorney, Agent, or Firm* — Feng Qian

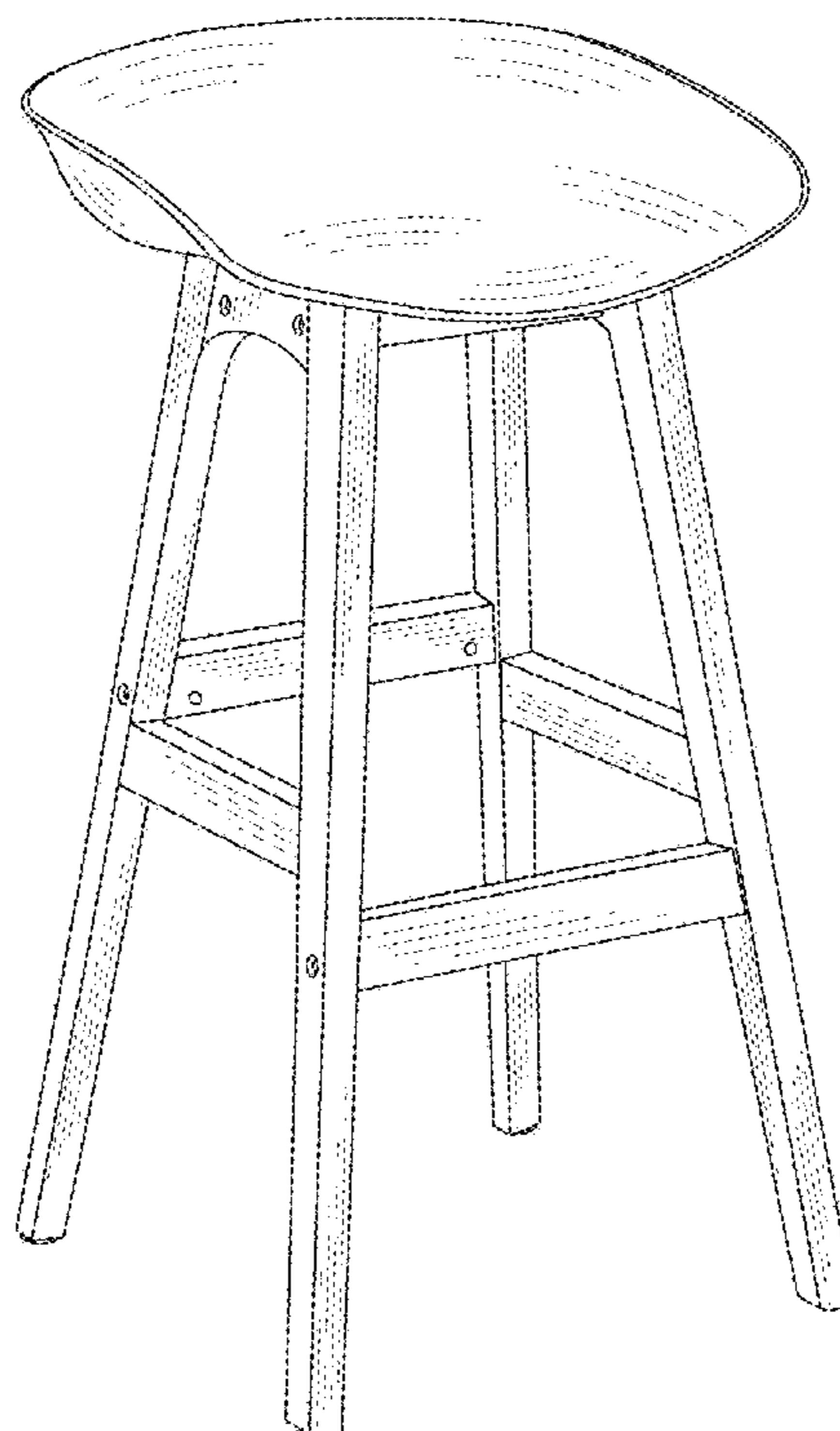
(57) **CLAIM**

The ornamental design for a stool, as shown and described.

DESCRIPTION

FIG. 1 is a front perspective view of a stool showing my new design;
FIG. 2 is a front elevation view thereof;
FIG. 3 is a rear elevation view thereof;
FIG. 4 is a left-side elevation view thereof;
FIG. 5 is a right-side elevation view thereof;
FIG. 6 is a top plan view thereof; and,
FIG. 7 is a rear plan view thereof.

1 Claim, 7 Drawing Sheets



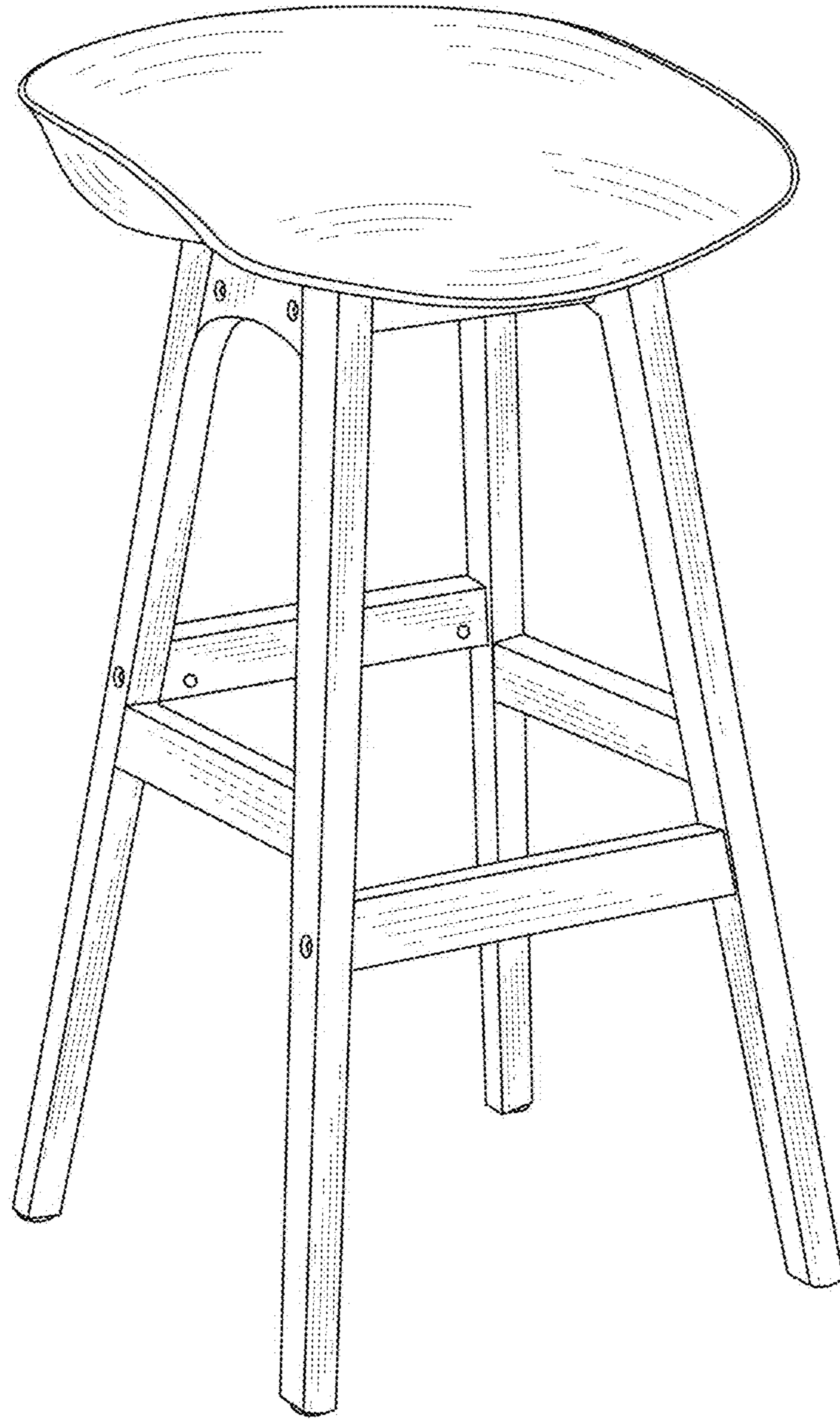


Fig. 1

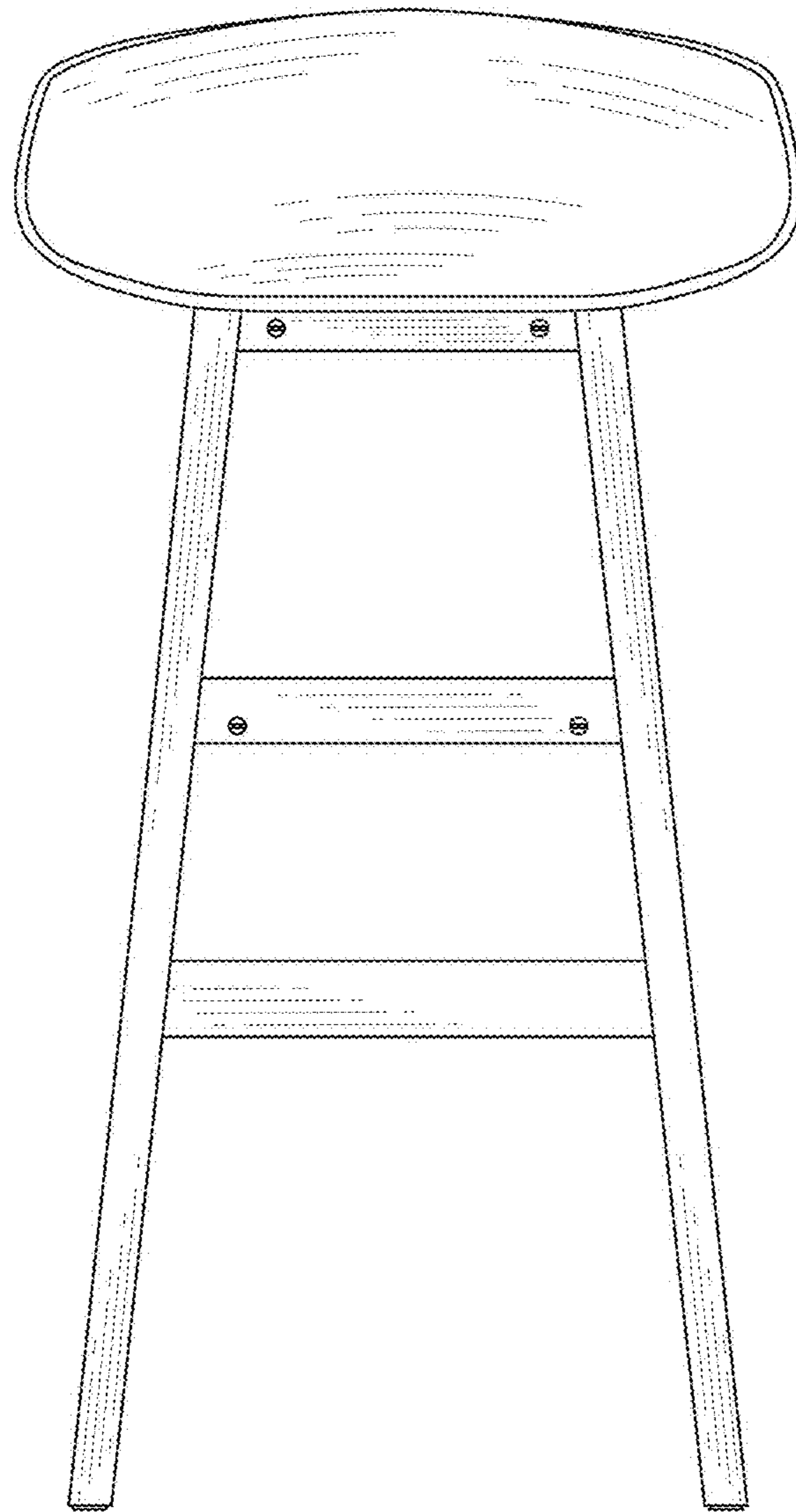


Fig.2

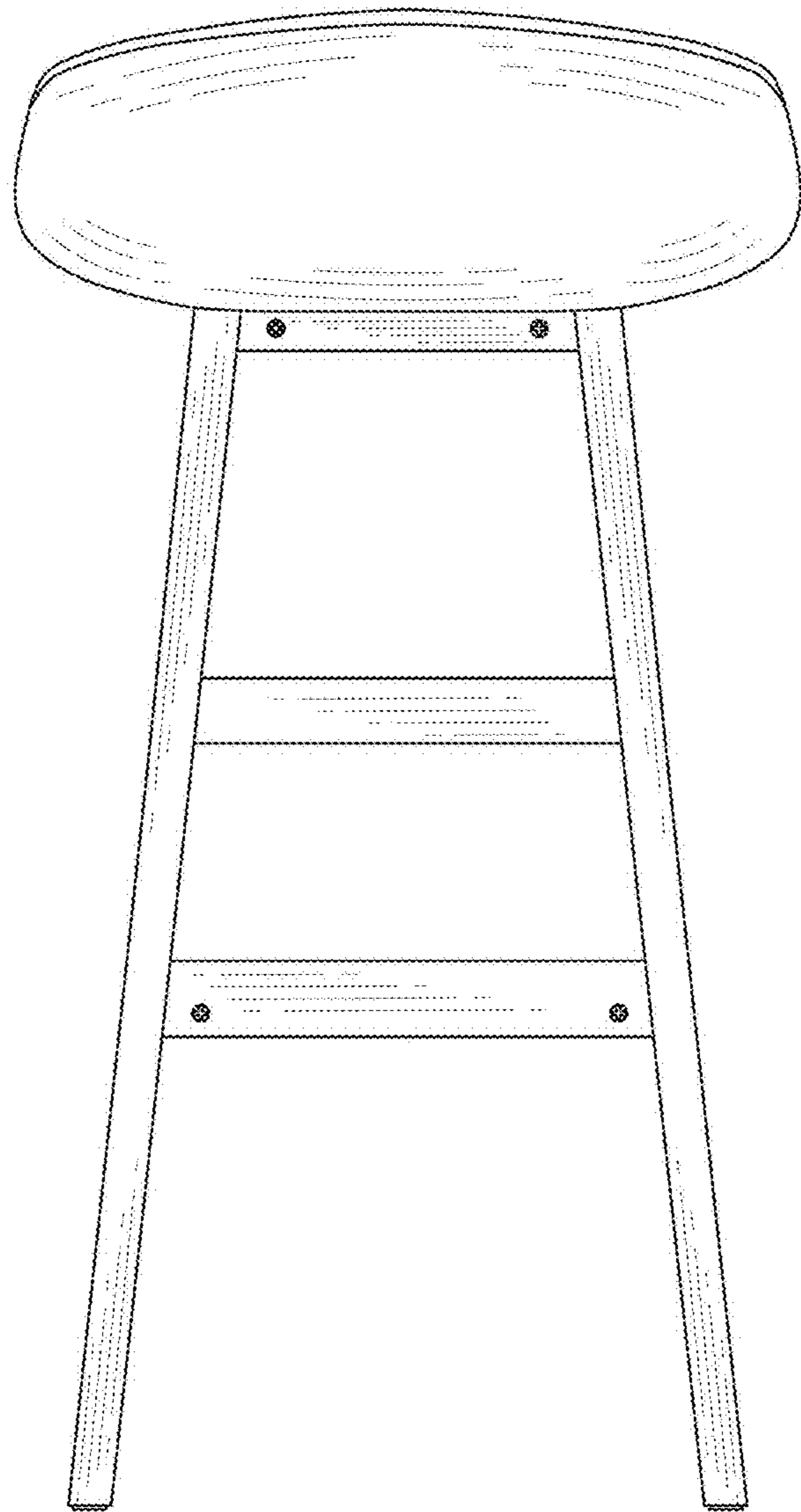


Fig.3

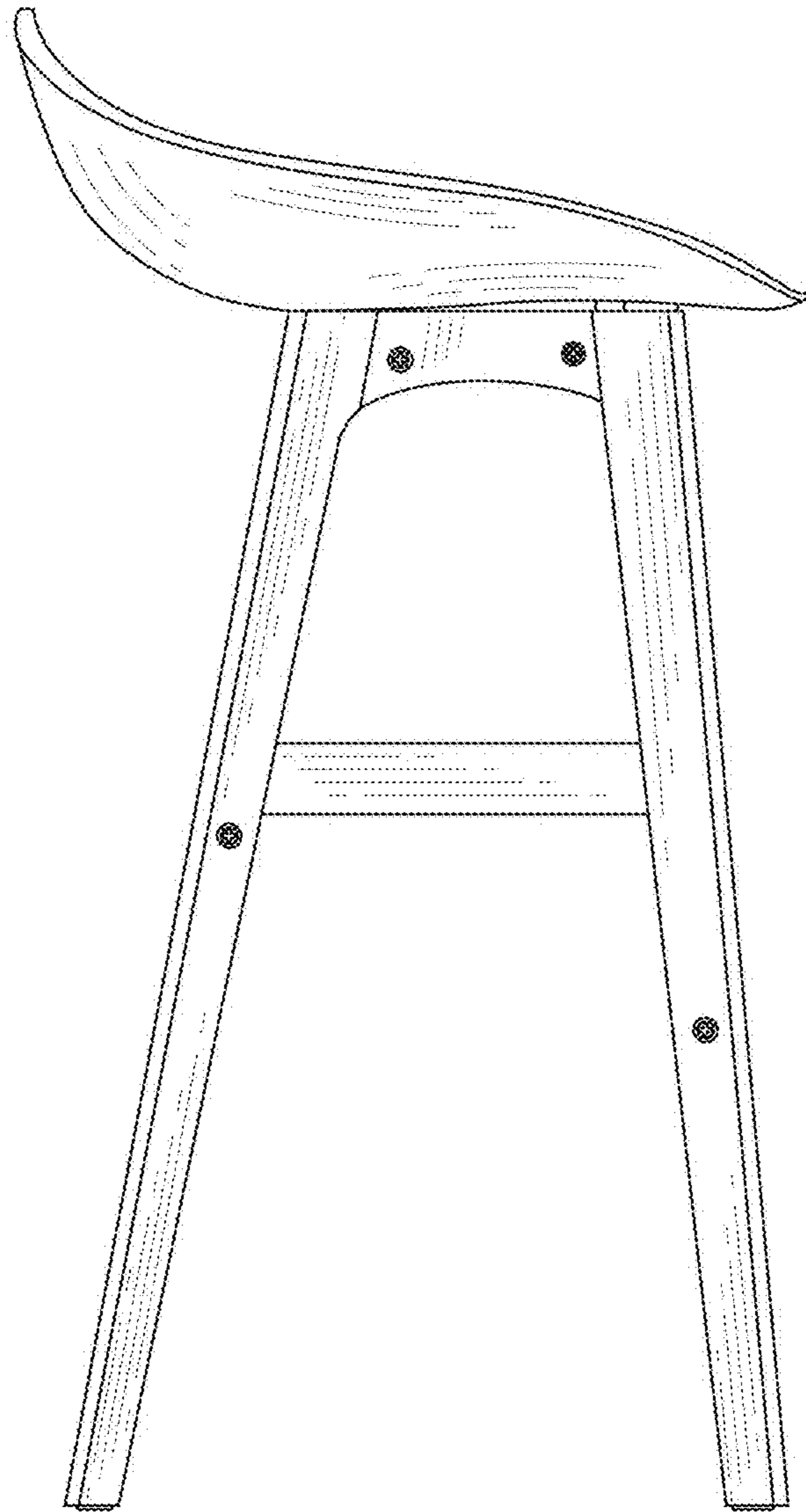


Fig.4

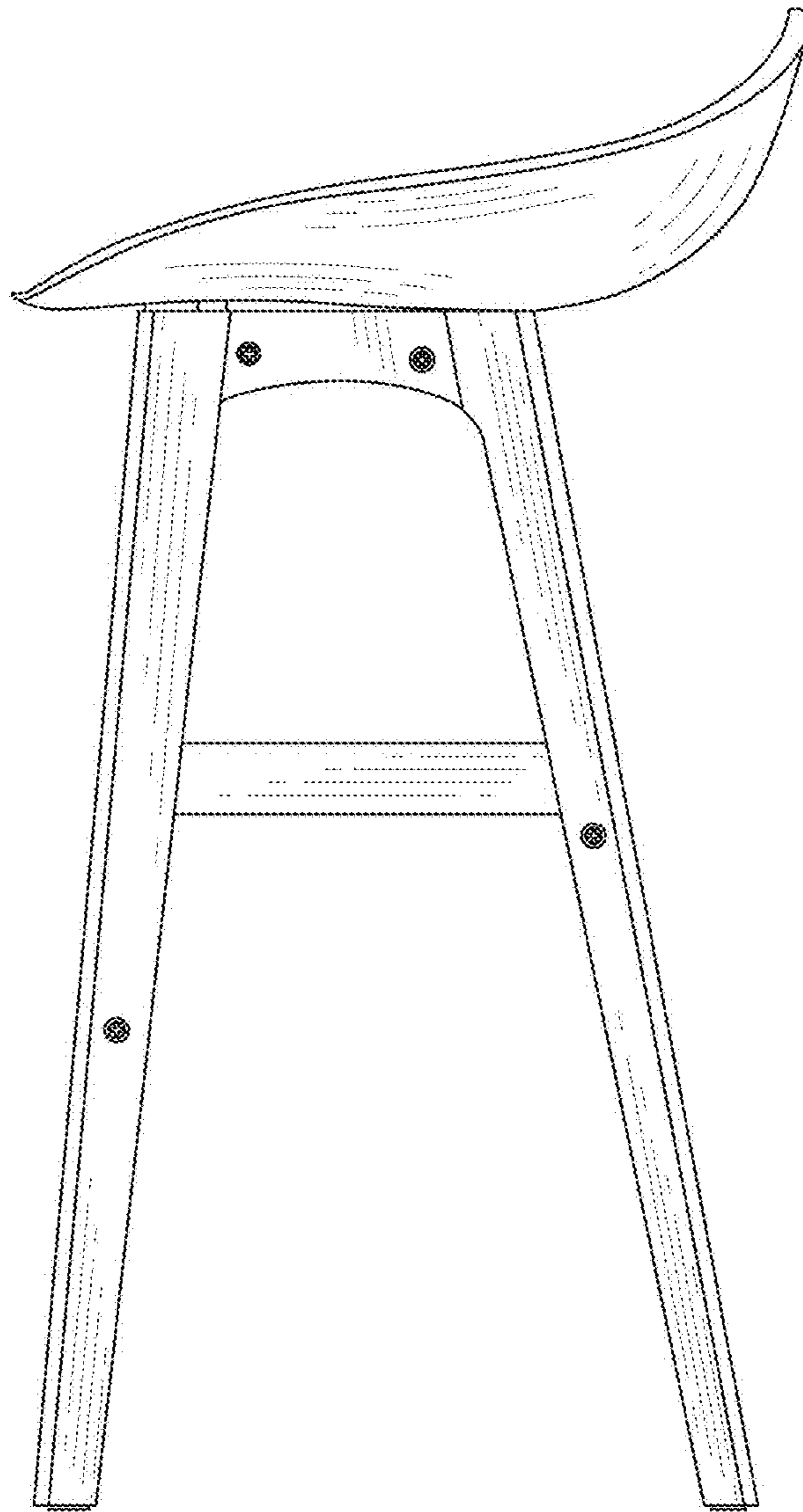


Fig.5

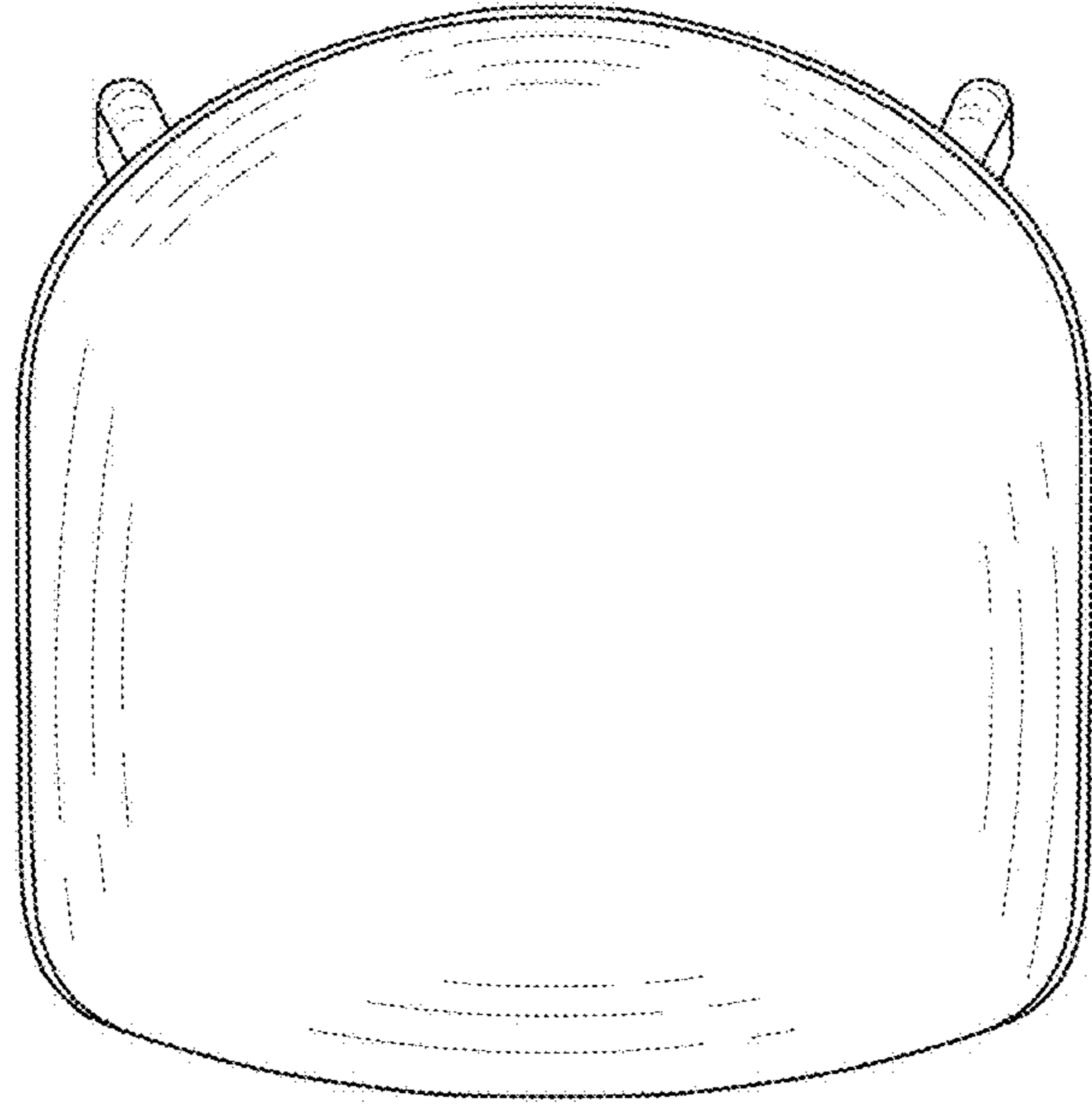


Fig.6

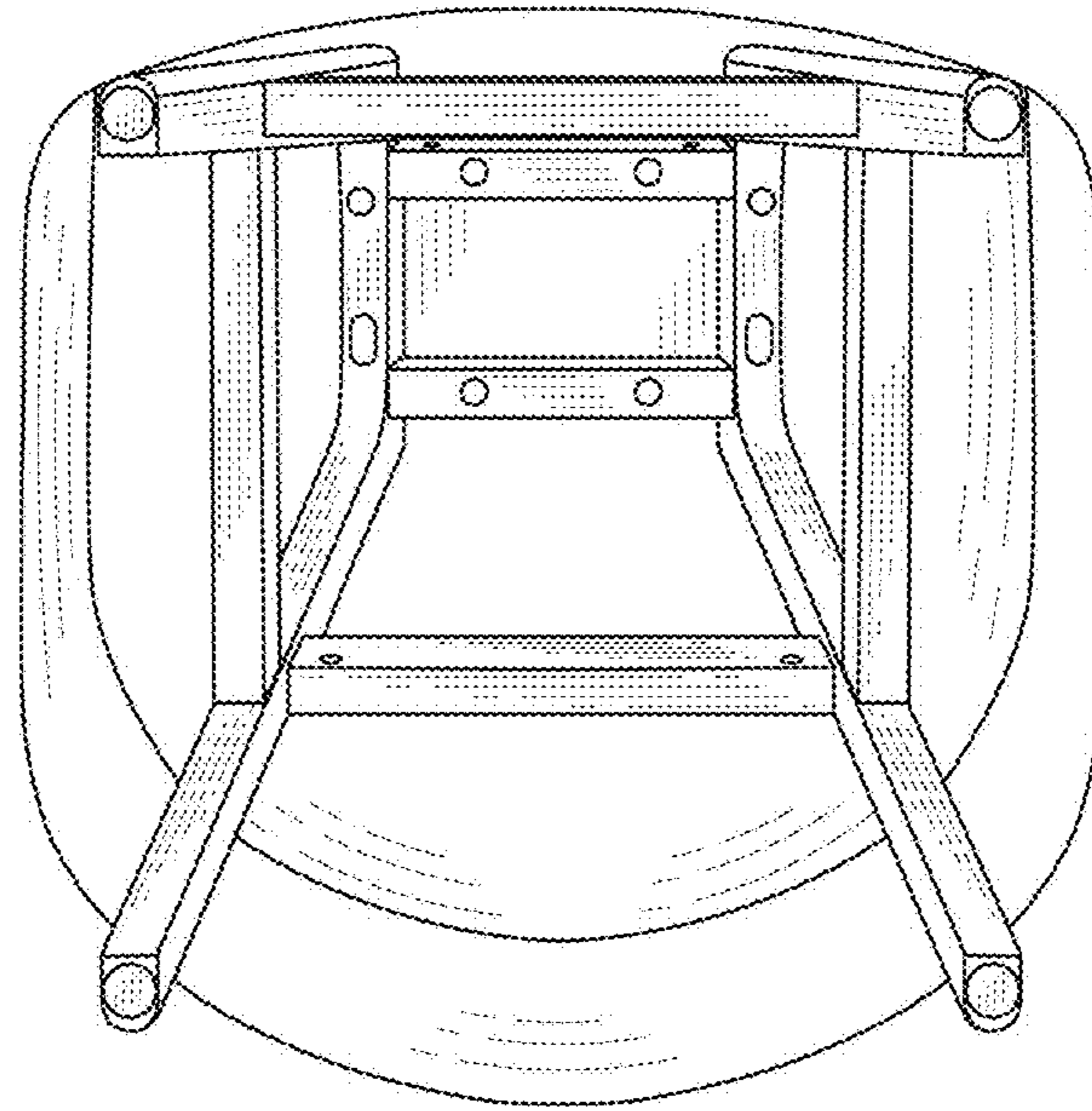


Fig.7