



US00D891791S

(12) **United States Design Patent**  
**Zhu**

(10) **Patent No.:** **US D891,791 S**

(45) **Date of Patent:** **\*\* Aug. 4, 2020**

(54) **MIRROR**

(71) Applicant: **Han Zhu**, Jixi (CN)

(72) Inventor: **Han Zhu**, Jixi (CN)

(\*\*) Term: **15 Years**

(21) Appl. No.: **29/729,703**

(22) Filed: **Mar. 30, 2020**

(51) **LOC (12) Cl.** ..... **06-07**

(52) **U.S. Cl.**

USPC ..... **D6/309**; D6/308; D6/312

(58) **Field of Classification Search**

USPC ..... D6/300-314; D12/189, 191; D16/221;  
D19/114; D20/42; D26/51; D28/64.1,  
D28/64.6

CPC ... A47G 1/00; A47G 1/02; A47G 1/14; A47G  
1/24; A47G 2001/002; A47G 2001/0056;  
A47G 2001/007; A45D 42/00; A45D  
42/10; A45D 42/12; A45D 42/16; A45D  
42/24; F21V 21/30; G09F 15/0056; B60J  
3/0282; G09B 19/00; B62B 9/005; G02B  
7/198

See application file for complete search history.

(56) **References Cited**

**U.S. PATENT DOCUMENTS**

- 1,761,393 A \* 6/1930 Hoegger ..... A45D 42/10  
362/141
- 1,989,437 A \* 1/1935 Weisz ..... A45D 42/16  
359/865
- 5,604,633 A \* 2/1997 Christianson ..... A45D 42/16  
359/507
- D405,039 S \* 2/1999 Kiser ..... A45D 42/10  
D12/189
- 6,217,180 B1 \* 4/2001 Eisenbraun ..... B62B 9/005  
359/871
- D463,824 S 10/2002 Kan
- D495,152 S 8/2004 Pulini

6,840,639 B2 \* 1/2005 Zadro ..... A45D 42/16  
359/855

D508,883 S \* 8/2005 Falconer ..... D12/189

D563,679 S \* 3/2008 Vidmar ..... A45D 42/16  
D6/309

(Continued)

**OTHER PUBLICATIONS**

LED Lighted Bathroom Makeup Shaving Mirror Adjustable Bend-  
able Gooseneck—DHgate.com [https://www.dhgate.com/product/  
360-rotation-flexible-gooseneck-10x-magnifying/518748731.html?  
d1\\_page\\_num=1&dspm=pcen.sp.list.6.LTagL2gJAEFEODf8zo3r  
&resource\\_id=518748731#s1-2-1;searll0287597411:6](https://www.dhgate.com/product/360-rotation-flexible-gooseneck-10x-magnifying/518748731.html?d1_page_num=1&dspm=pcen.sp.list.6.LTagL2gJAEFEODf8zo3r&resource_id=518748731#s1-2-1;searll0287597411:6) retrieved from  
internet Jun. 17, 2020.\*

(Continued)

*Primary Examiner* — Mary Ann Calabrese

(57)

**CLAIM**

The ornamental design for a mirror, as shown and described.

**DESCRIPTION**

FIG. 1 is a front perspective view of a mirror showing my  
new design;

FIG. 2 is rear perspective view thereof;

FIG. 3 is a front elevational view thereof;

FIG. 4 is a rear elevational view thereof;

FIG. 5 is a left side elevational view thereof;

FIG. 6 is a right side elevational view thereof;

FIG. 7 is a top plan view thereof;

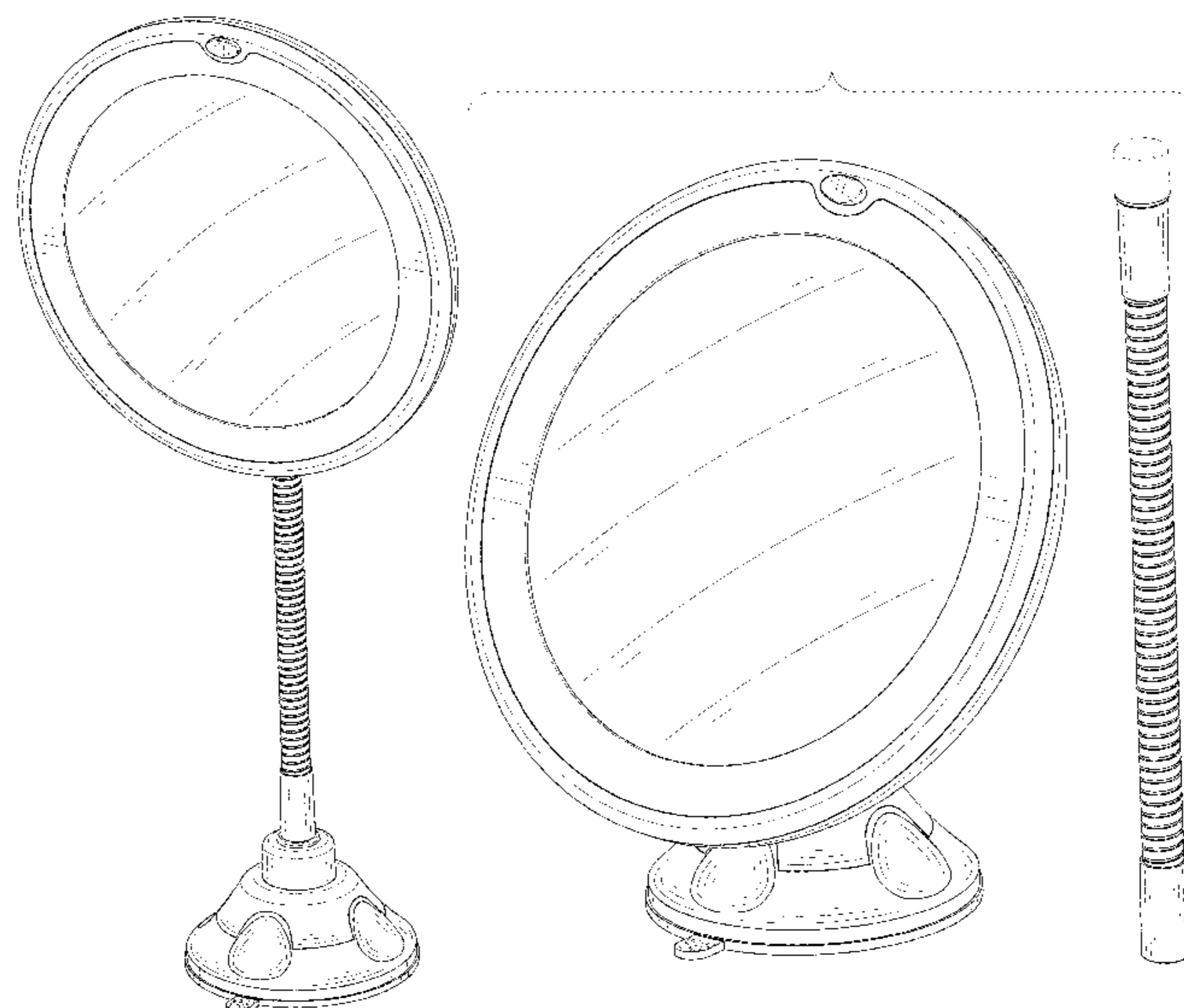
FIG. 8 is a bottom plan view thereof;

FIG. 9 is a front perspective view of the mirror where the  
mirror is in an alternate configuration of use with the  
adjustable connecting rod is dismantled from the mirror  
body; and,

FIG. 10 is a rear perspective view of the mirror where the  
mirror is in an alternate configuration of use with the  
adjustable connecting rod is dismantled from a mirror body.

The broken lines in the drawings depict portions of the  
mirror that form no part of the claimed design.

**1 Claim, 10 Drawing Sheets**



(56)

**References Cited**

U.S. PATENT DOCUMENTS

7,651,229 B1 \* 1/2010 Rimback ..... A45D 42/10  
359/840  
D652,220 S \* 1/2012 Pitot ..... A45D 42/16  
D6/309  
9,956,979 B1 \* 5/2018 Fernsten ..... B62B 9/26  
D824,681 S 8/2018 Vaughn  
D873,034 S \* 1/2020 Boehm ..... D6/309  
2020/0064590 A1 \* 2/2020 Boehm ..... A45D 42/14

OTHER PUBLICATIONS

LED Lighted Makeup Shaving Mirror 360° Rotation Lock Suction  
<https://www.aliexpress.com/i/32974908030.html> retrieved from the  
internet on Jun. 17, 2020.\*

\* cited by examiner

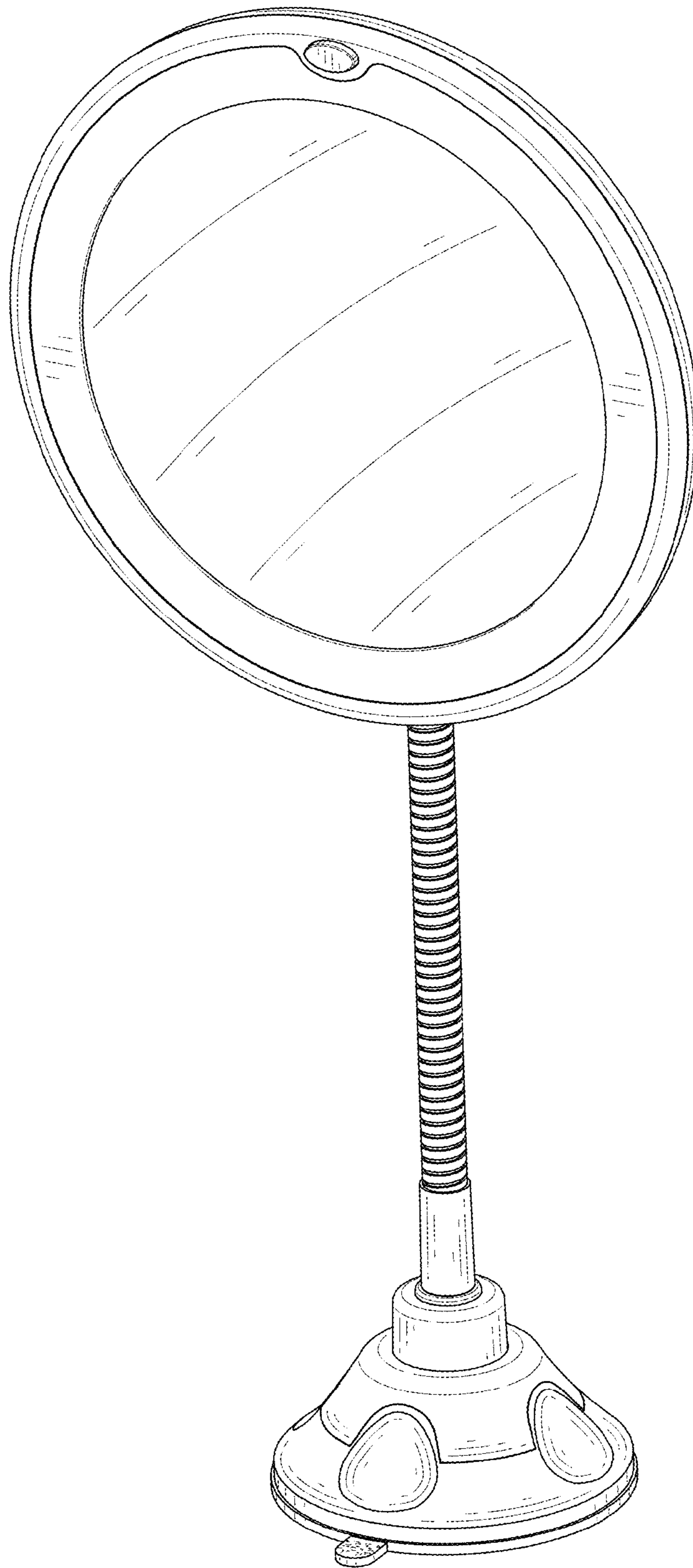


FIG. 1

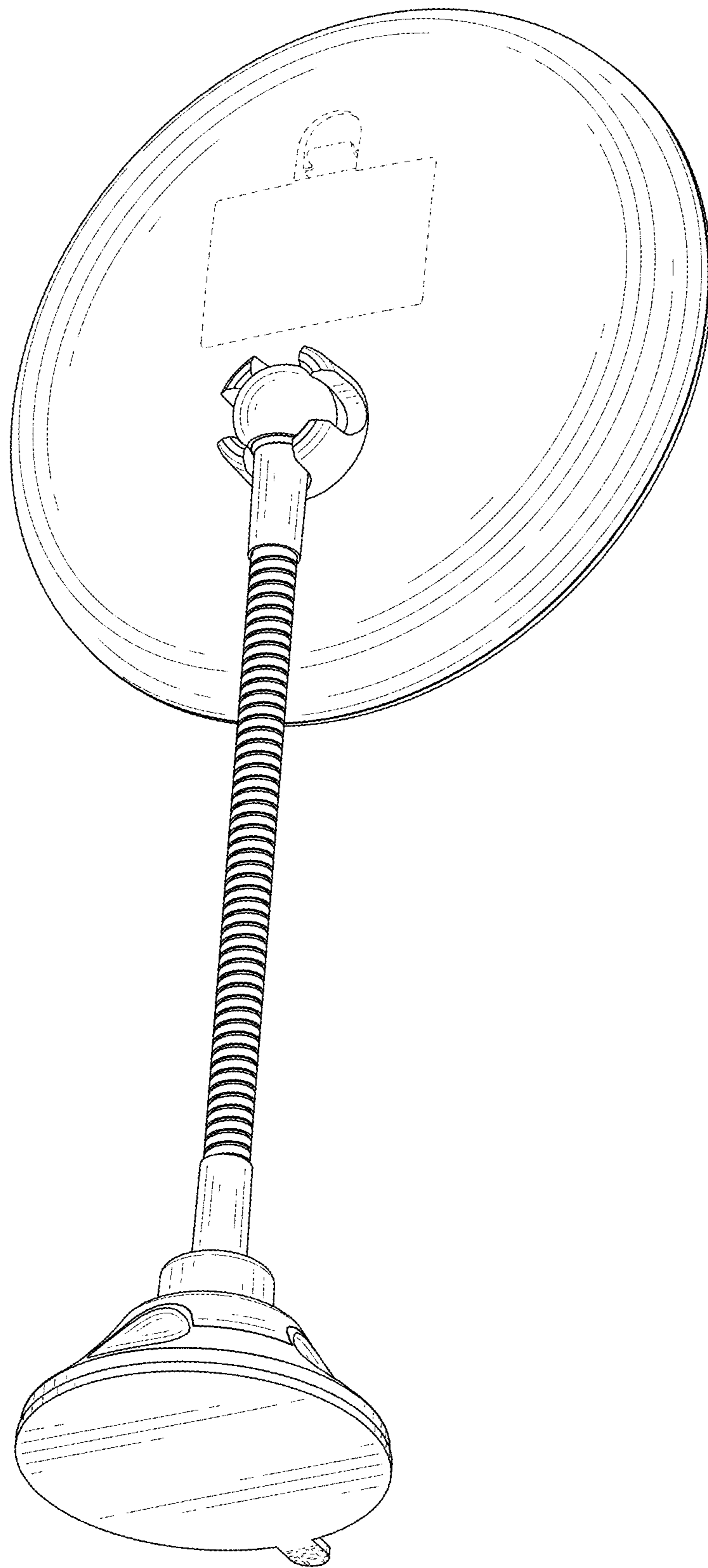


FIG. 2

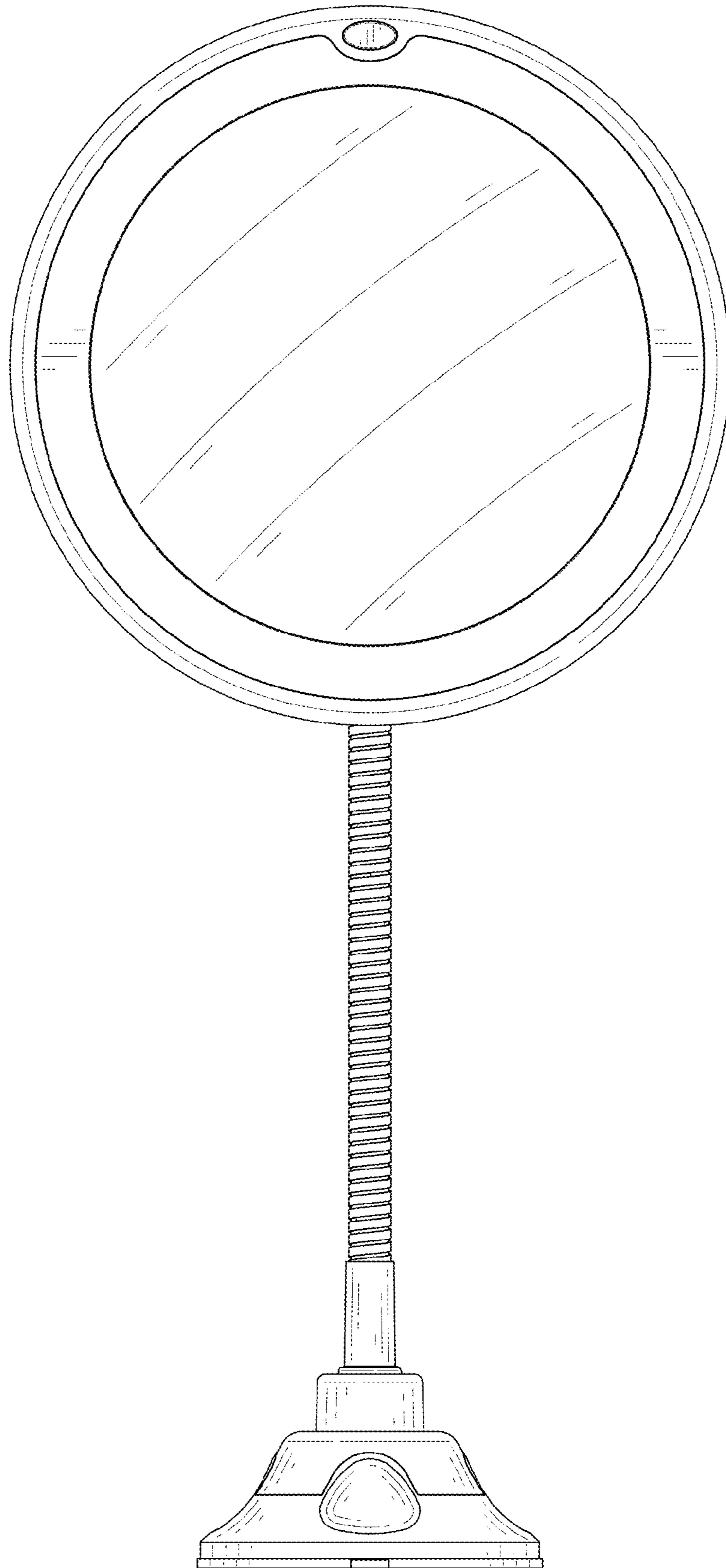


FIG. 3

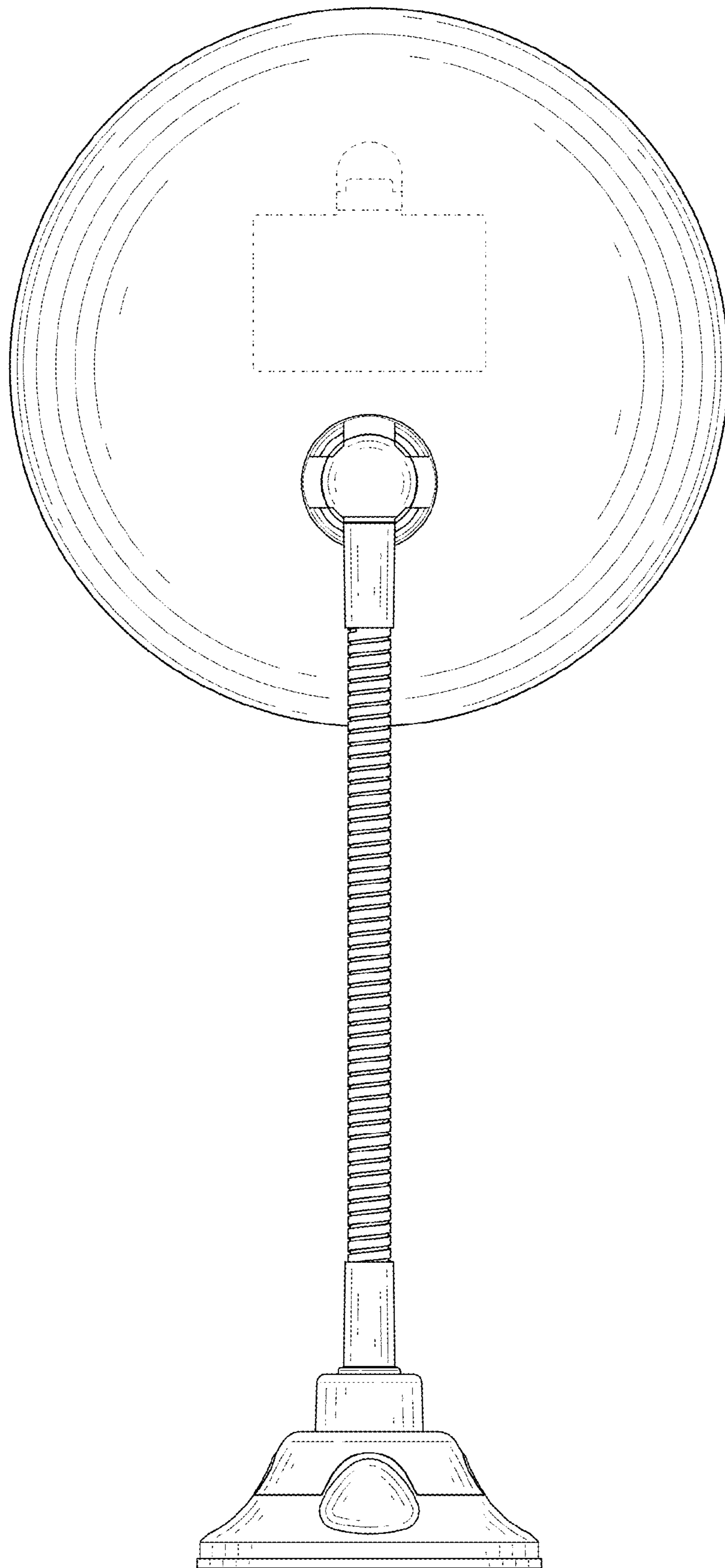


FIG. 4

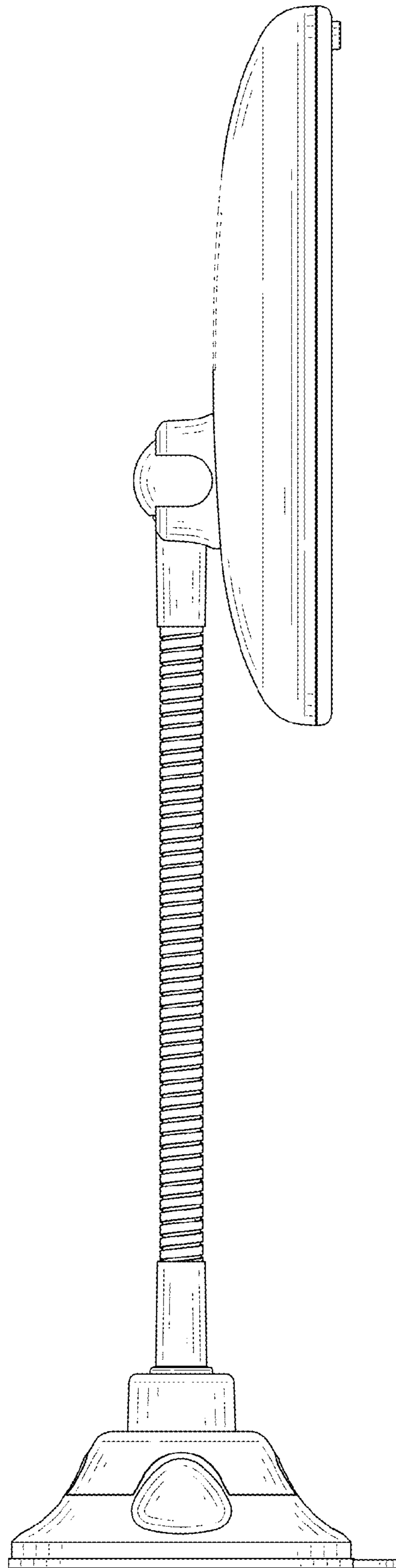


FIG. 5

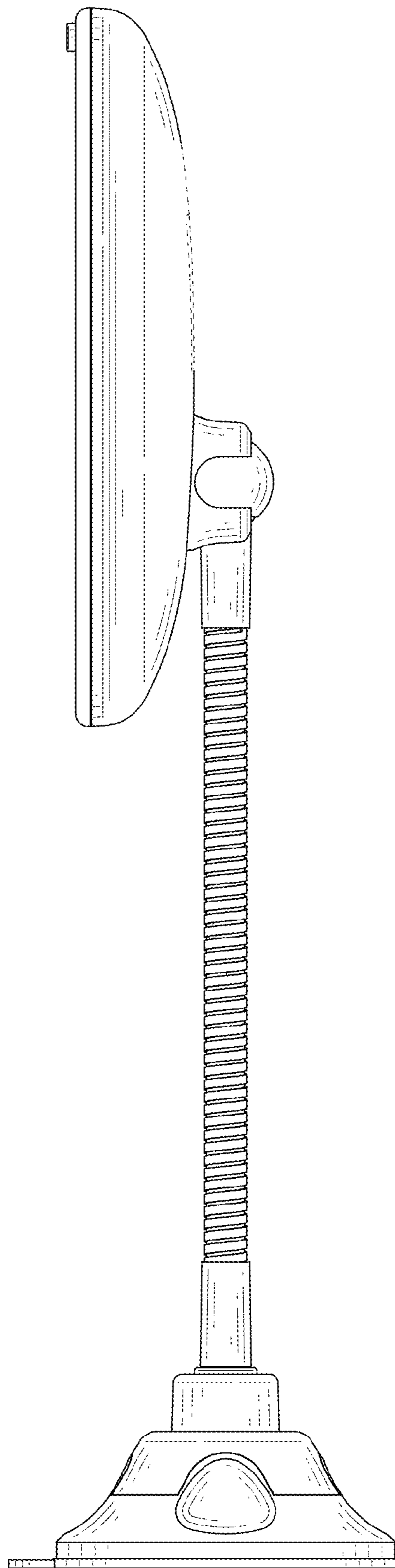


FIG. 6



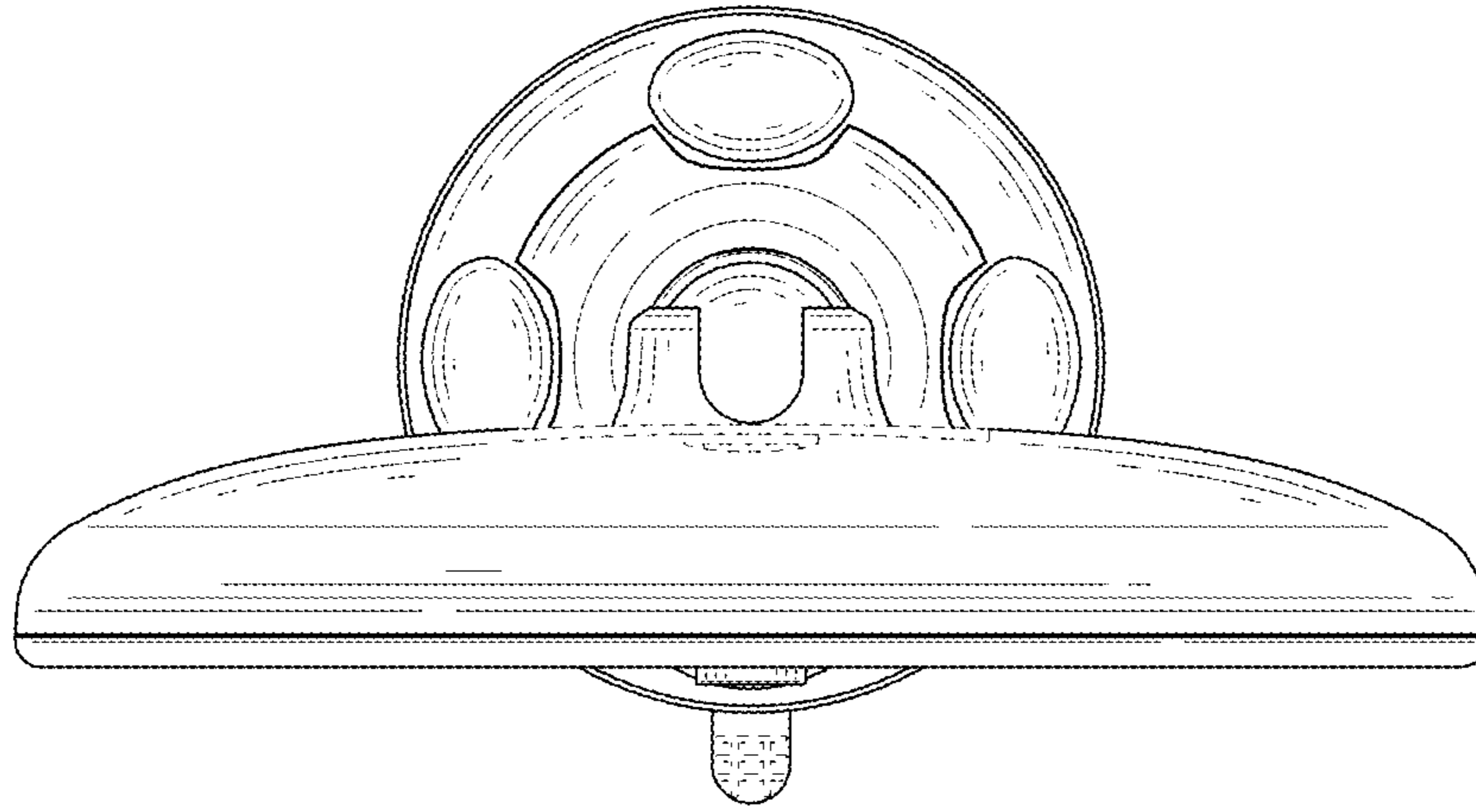


FIG. 7

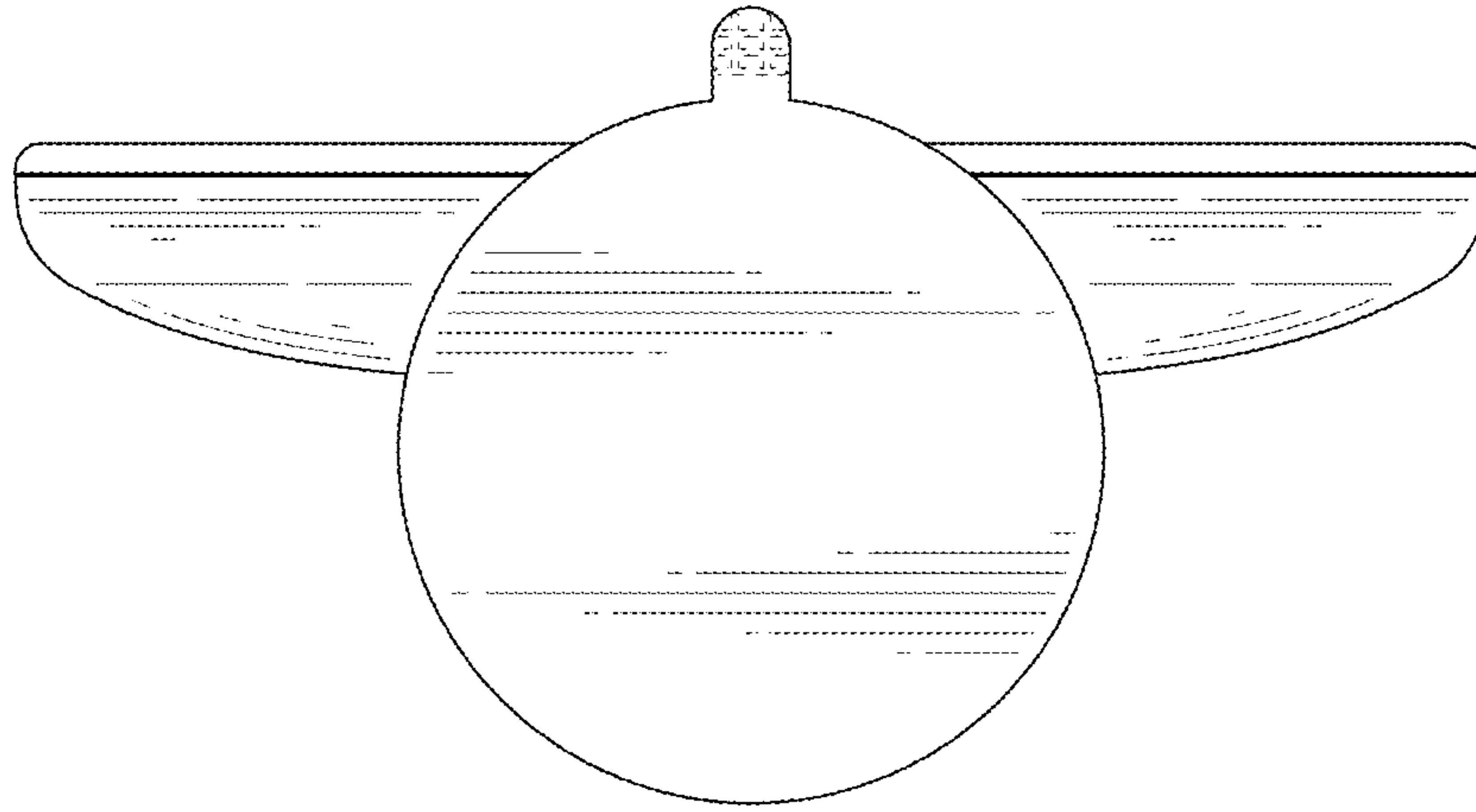


FIG. 8

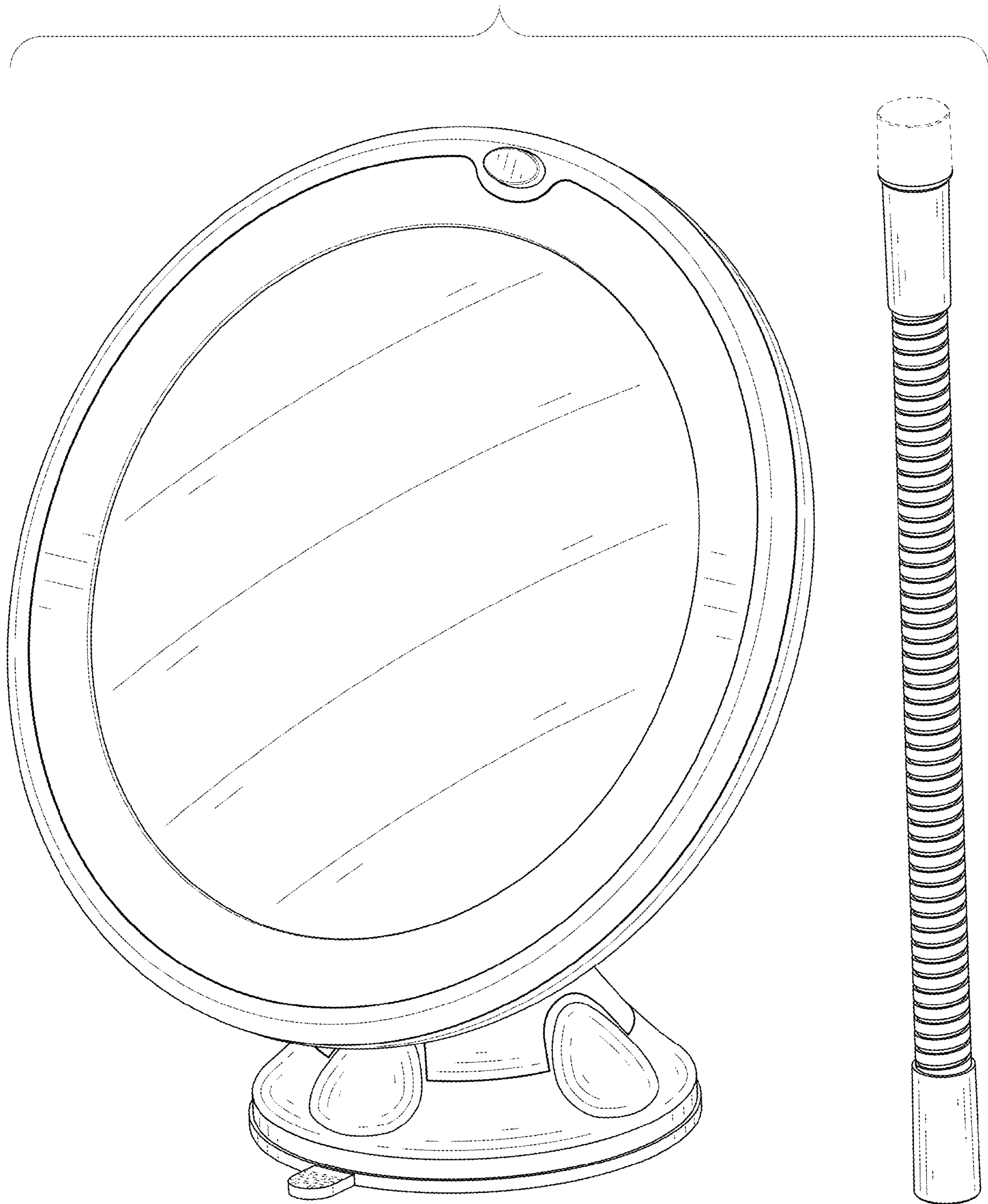


FIG. 9

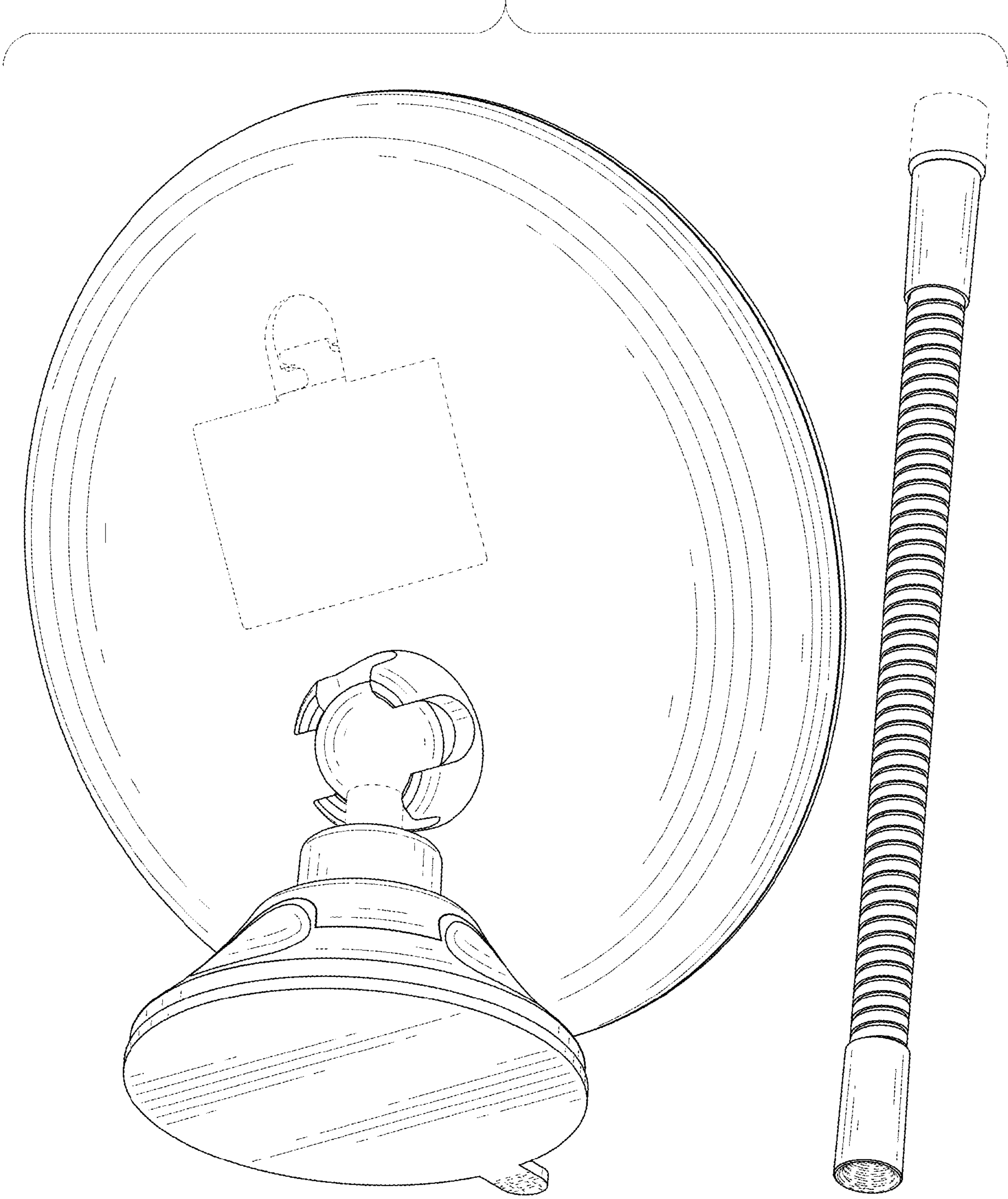


FIG. 10