



US00D891790S

(12) **United States Design Patent**
Liu

(10) **Patent No.:** **US D891,790 S**

(45) **Date of Patent:** **** Aug. 4, 2020**

(54) **MIRROR**

(71) Applicant: **SHENZHEN SMILE TECHNOLOGY CO., LTD.**, Shenzhen (CN)

(72) Inventor: **Jinfeng Liu**, Lianjiang (CN)

(73) Assignee: **SHENZHEN SMILE TECHNOLOGY CO., LTD.**, Shenzhen (CN)

(**) Term: **15 Years**

(21) Appl. No.: **29/732,795**

(22) Filed: **Apr. 28, 2020**

(51) **LOC (12) Cl.** **06-06**

(52) **U.S. Cl.**
USPC **D6/301; D6/312**

(58) **Field of Classification Search**
USPC D6/300-314
CPC A47G 1/00; A47G 1/02; A45D 33/008; A45D 42/04
See application file for complete search history.

(56) **References Cited**

U.S. PATENT DOCUMENTS

D252,437 S * 7/1979 Cohen D6/302
D260,305 S * 8/1981 MacGregor D28/83
D265,452 S * 7/1982 Keller D6/301
7,194,289 B1 * 3/2007 Flores, Jr. A45D 42/04
379/433.01

D589,267 S * 3/2009 Pitot D6/308
D679,101 S 4/2013 Pitot
D859,746 S * 9/2019 Liston D28/83
D866,988 S * 11/2019 Shaffer D6/300
2012/0162970 A1* 6/2012 Bichrest A45D 42/04
362/135
2019/0328113 A1 10/2019 Long et al.

* cited by examiner

Primary Examiner — Deanna L Pratt

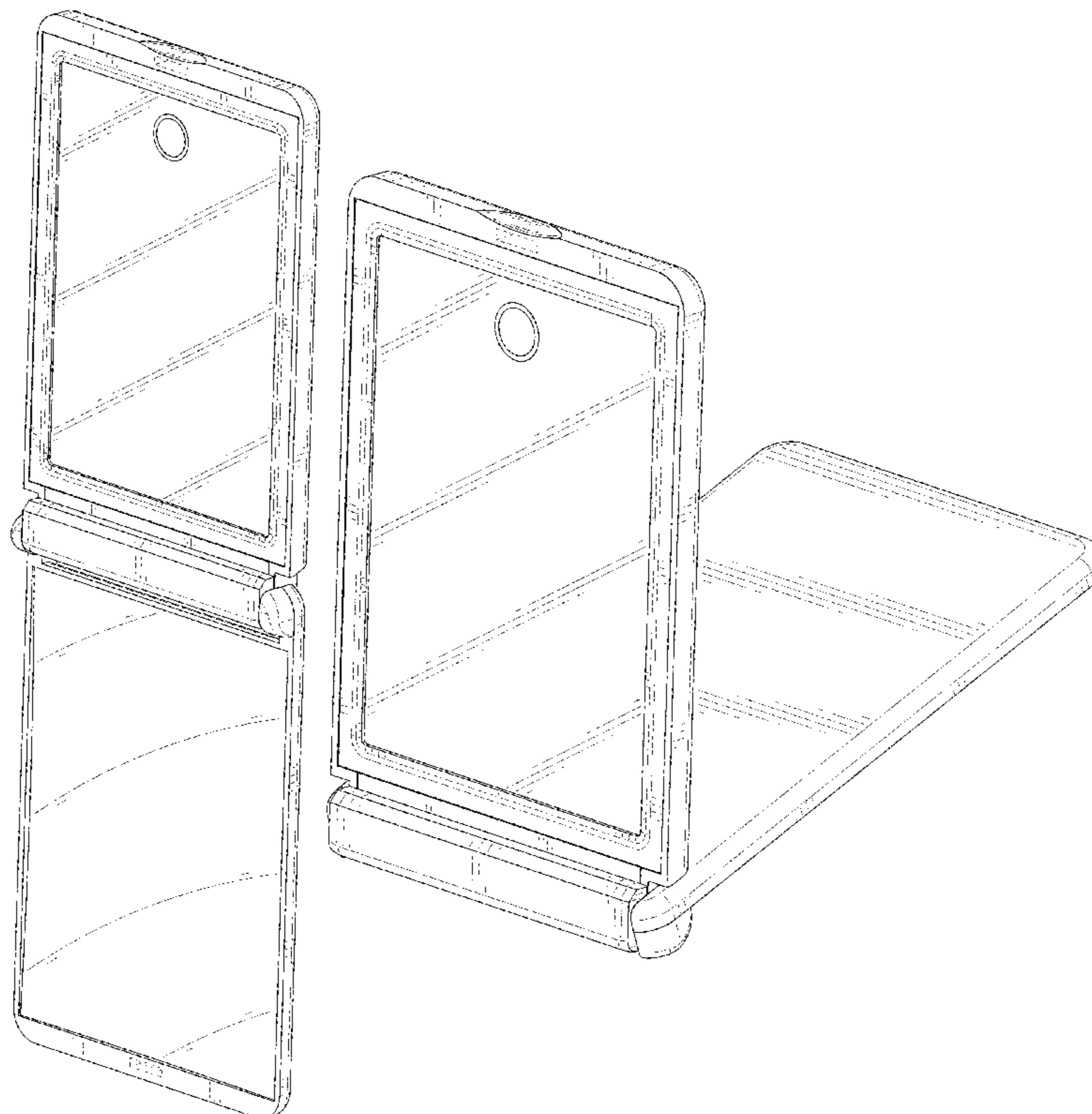
(57) **CLAIM**

The ornamental design for a mirror, as shown and described.

DESCRIPTION

FIG. 1 is a perspective view of a mirror showing my new design;
FIG. 2 is another perspective view thereof;
FIG. 3 is a front elevational view thereof;
FIG. 4 is a rear elevational view thereof;
FIG. 5 is a left side elevational view thereof;
FIG. 6 is a right side elevational view thereof;
FIG. 7 is a top plan view thereof;
FIG. 8 is a bottom plan view thereof;
FIG. 9 is a perspective view of the mirror where the mirror is in a configuration of use; and,
FIG. 10 is a perspective view of the mirror where the mirror is in a closed state.
The broken lines in the drawings depict portions of the mirror that form no part of the claimed design.

1 Claim, 10 Drawing Sheets



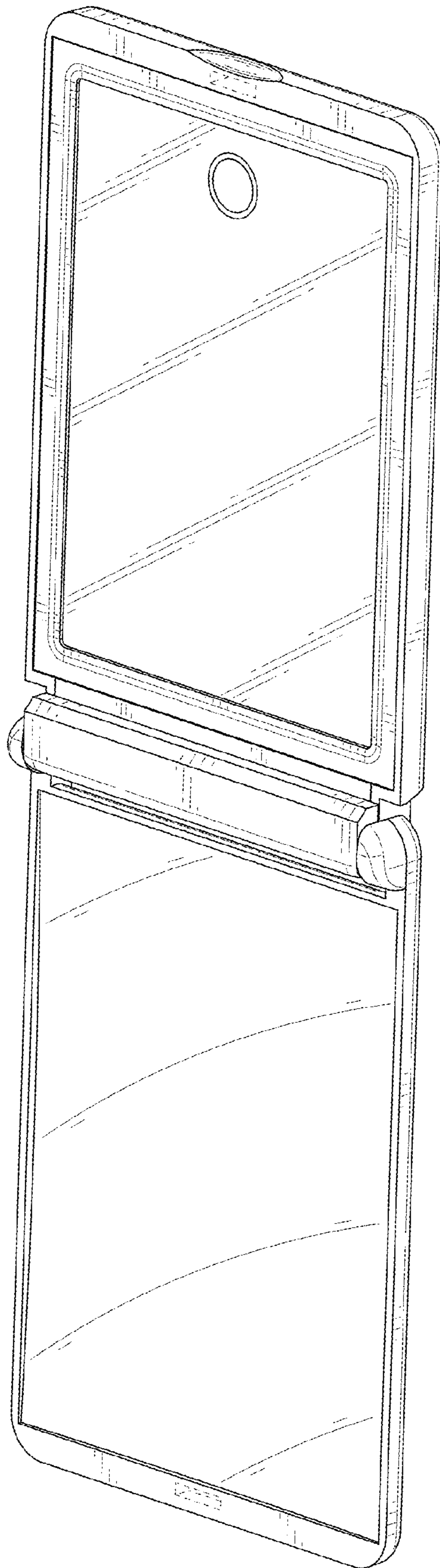


FIG. 1

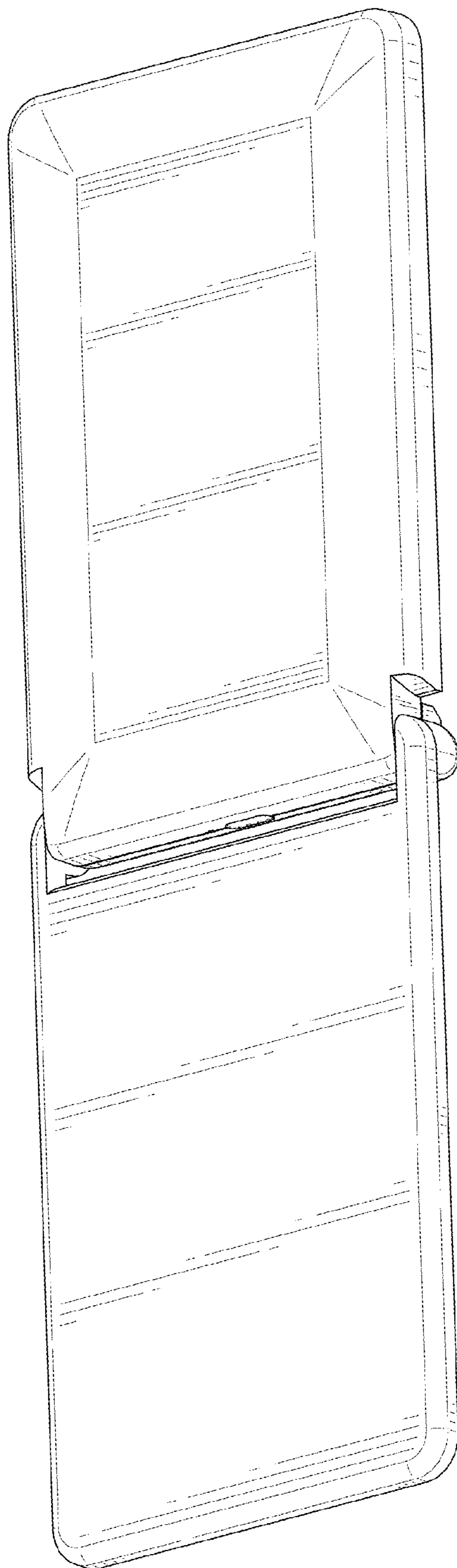


FIG. 2

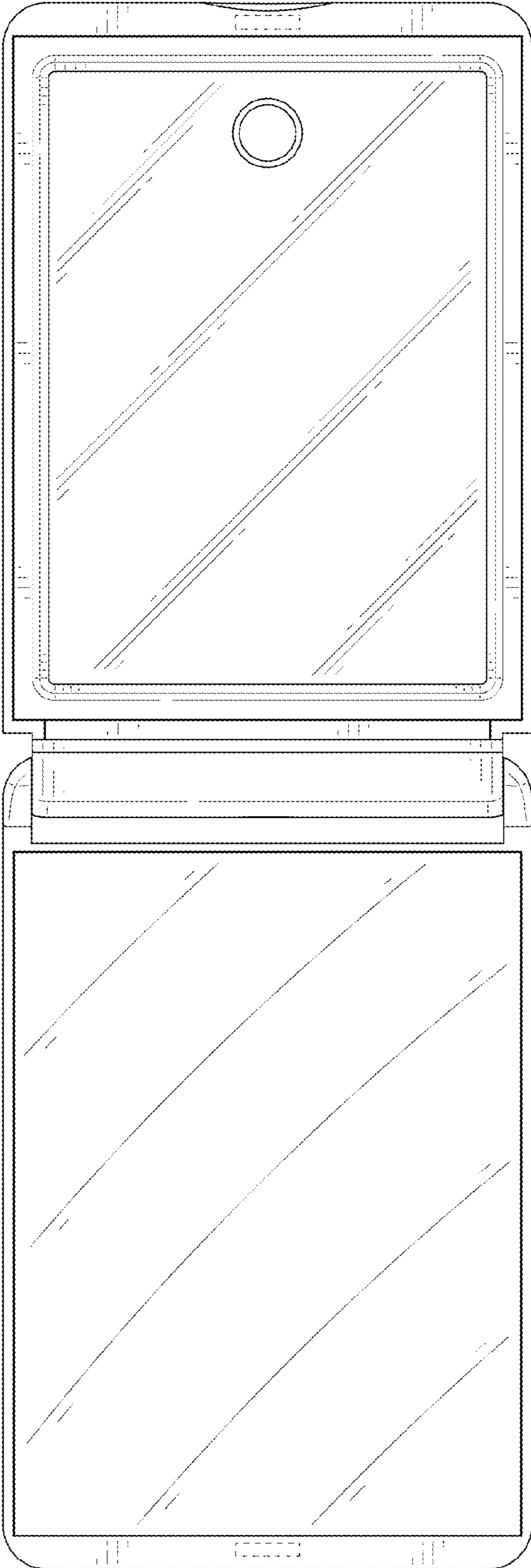


FIG. 3

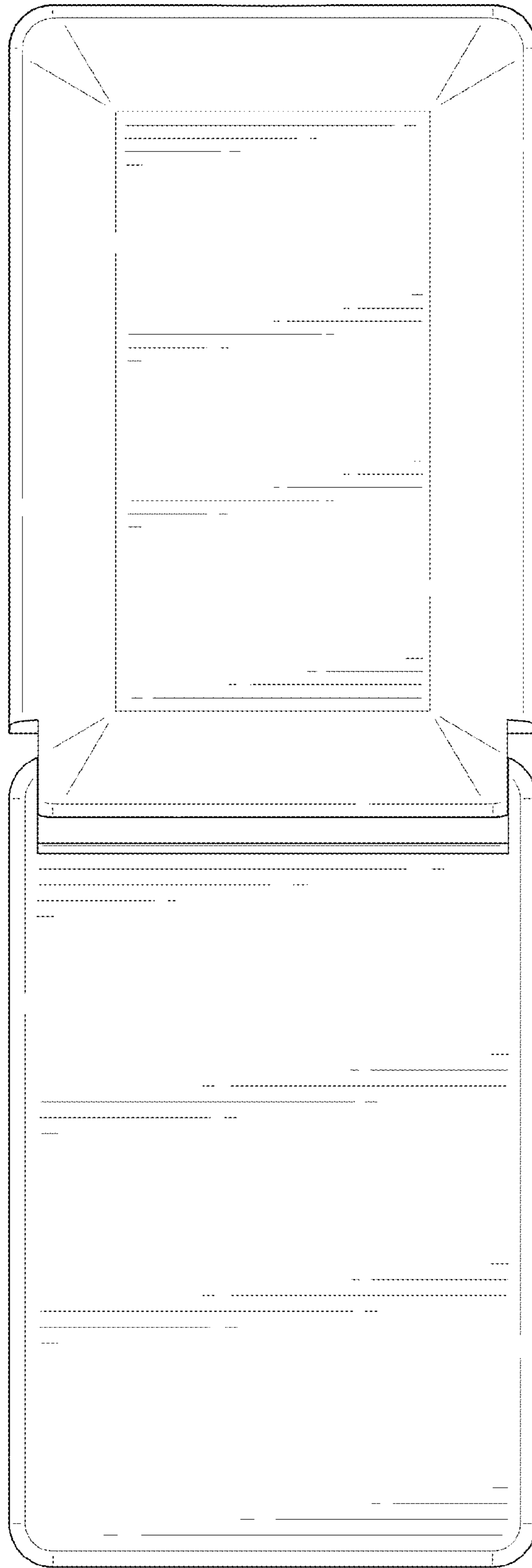


FIG. 4

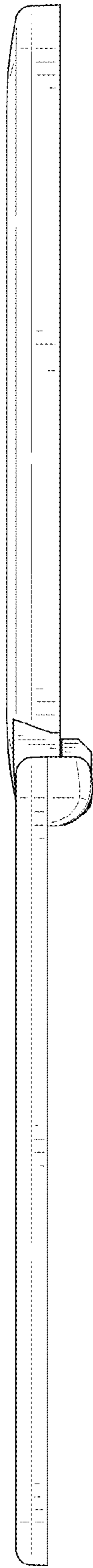


FIG. 5

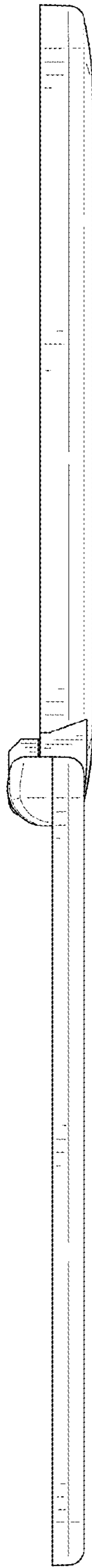


FIG. 6

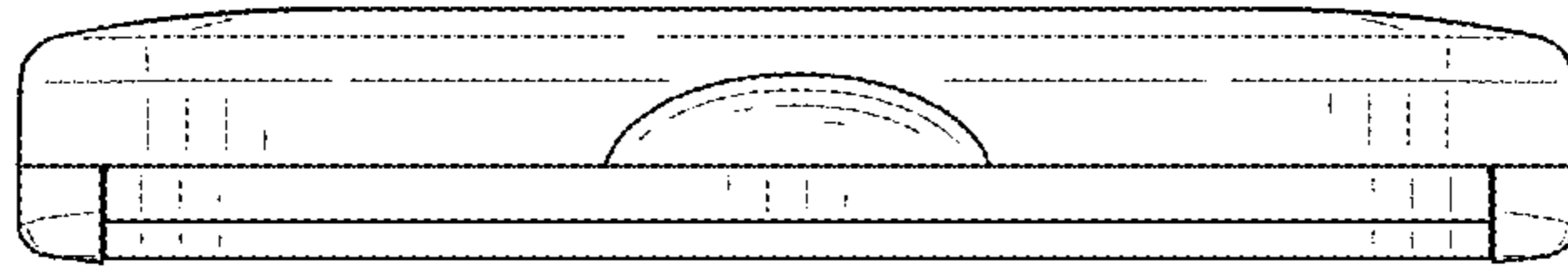


FIG. 7

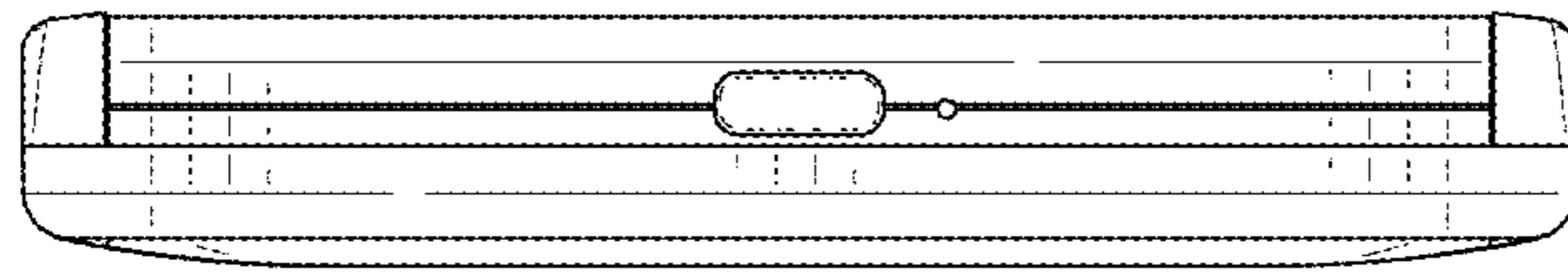


FIG. 8

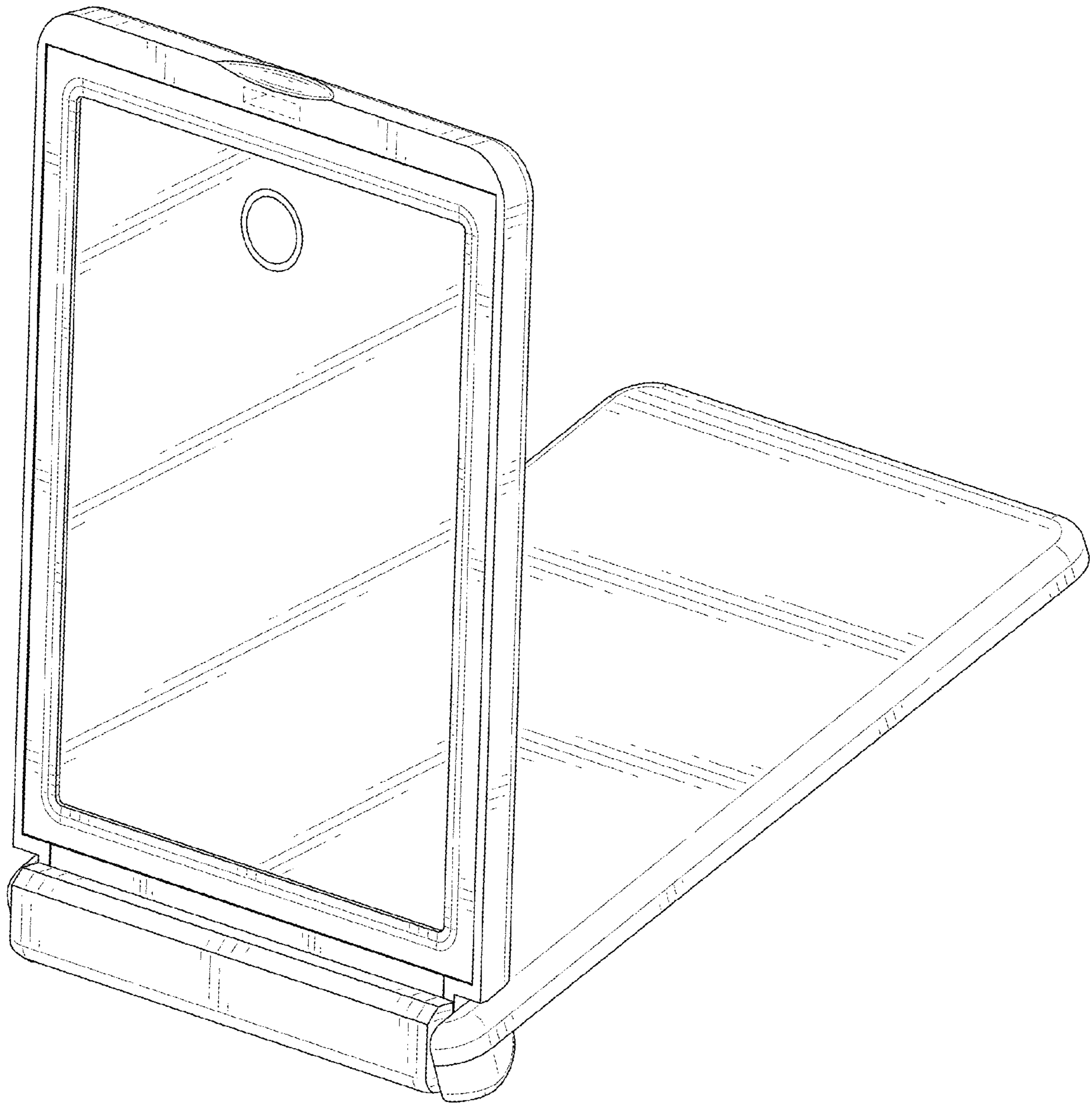


FIG. 9

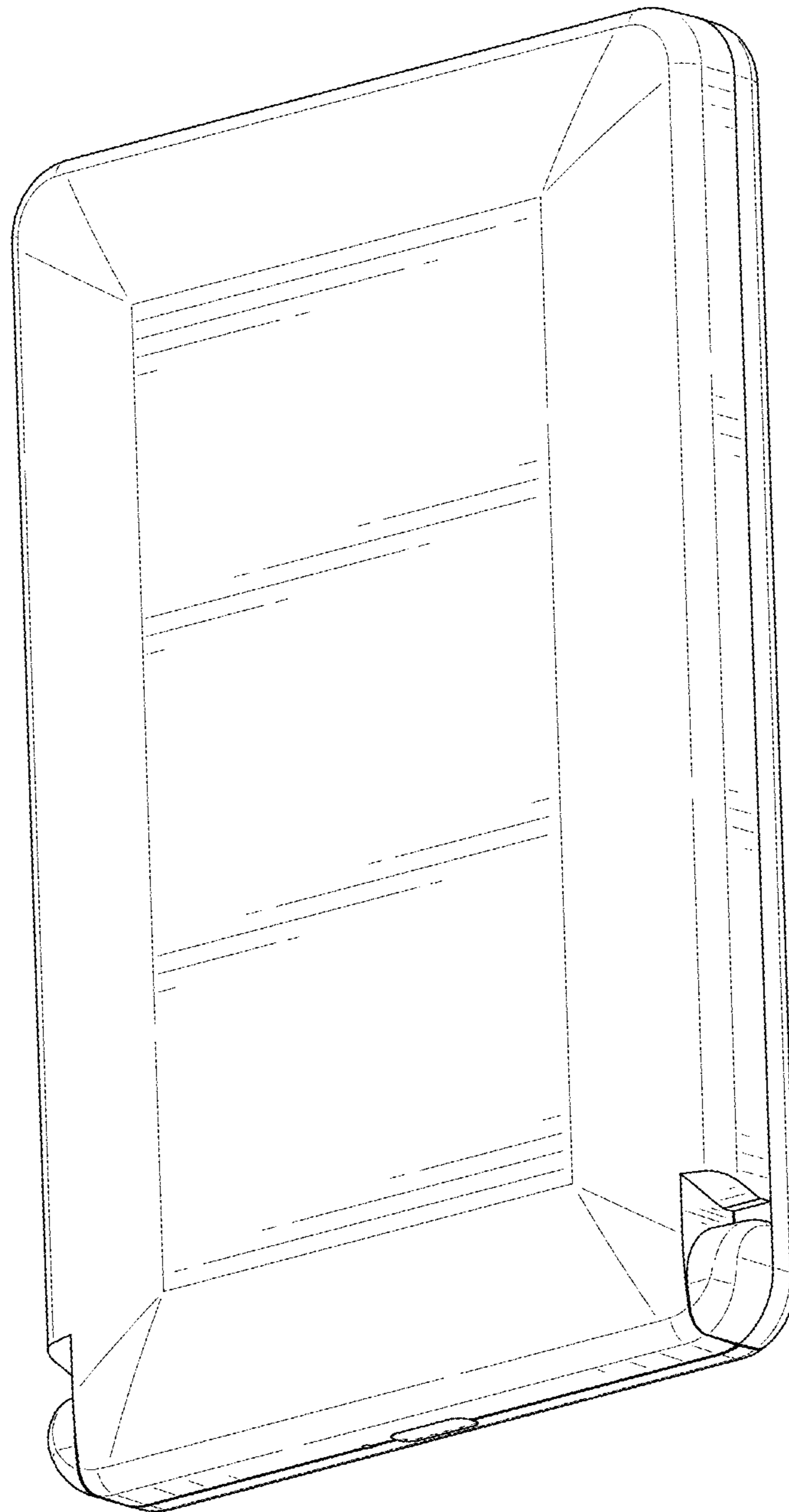


FIG. 10