



US00D891785S

(12) **United States Design Patent** (10) **Patent No.:** **US D891,785 S**  
**Luo** (45) **Date of Patent:** **\*\* Aug. 4, 2020**

(54) **FACIAL CLEANING BRUSH**

(71) Applicant: **Shenzhen Hongwang Nicemay Electric Co., Ltd, Shenzhen (CN)**

(72) Inventor: **Dewei Luo, Shenzhen (CN)**

(73) Assignee: **SHENZHEN HONGWANG NICEMAY ELECTRIC CO., LTD, Shenzhen (CN)**

(\*\*) Term: **15 Years**

(21) Appl. No.: **29/685,163**

(22) Filed: **Mar. 27, 2019**

(30) **Foreign Application Priority Data**

Nov. 9, 2018 (CN) ..... 2018 3 0633947

(51) **LOC (12) Cl.** ..... **04-02**

(52) **U.S. Cl.**  
USPC ..... **D4/102**

(58) **Field of Classification Search**  
USPC ..... D4/100, 101, 102, 104, 109, 110, 113, D4/114, 116, 118, 119, 120, 121, 127, D4/128, 129, 130, 131, 132, 133, 134, D4/135, 136, 137, 138, 199; D28/7, 13, D28/19, 21, 22, 23, 24, 28, 29, 30, 31, D28/32, 33, 45, 63, 74; D30/158, 159; D7/682; D8/107, 303  
CPC . A46B 2200/10; A46B 2200/104; A46B 1/00; A46B 5/05; A46B 2200/1006; A46B 2200/102; A46D 1/0276

See application file for complete search history.

(56) **References Cited**

U.S. PATENT DOCUMENTS

D242,951 S *	1/1977	Bradford	.....	D28/24
D568,050 S *	5/2008	Huang	.....	D4/120
D699,890 S *	2/2014	Leman	.....	D28/29
D866,191 S *	11/2019	Dawson	.....	D4/135

\* cited by examiner

*Primary Examiner* — George A Bugg  
*Assistant Examiner* — Tamara L Hahn

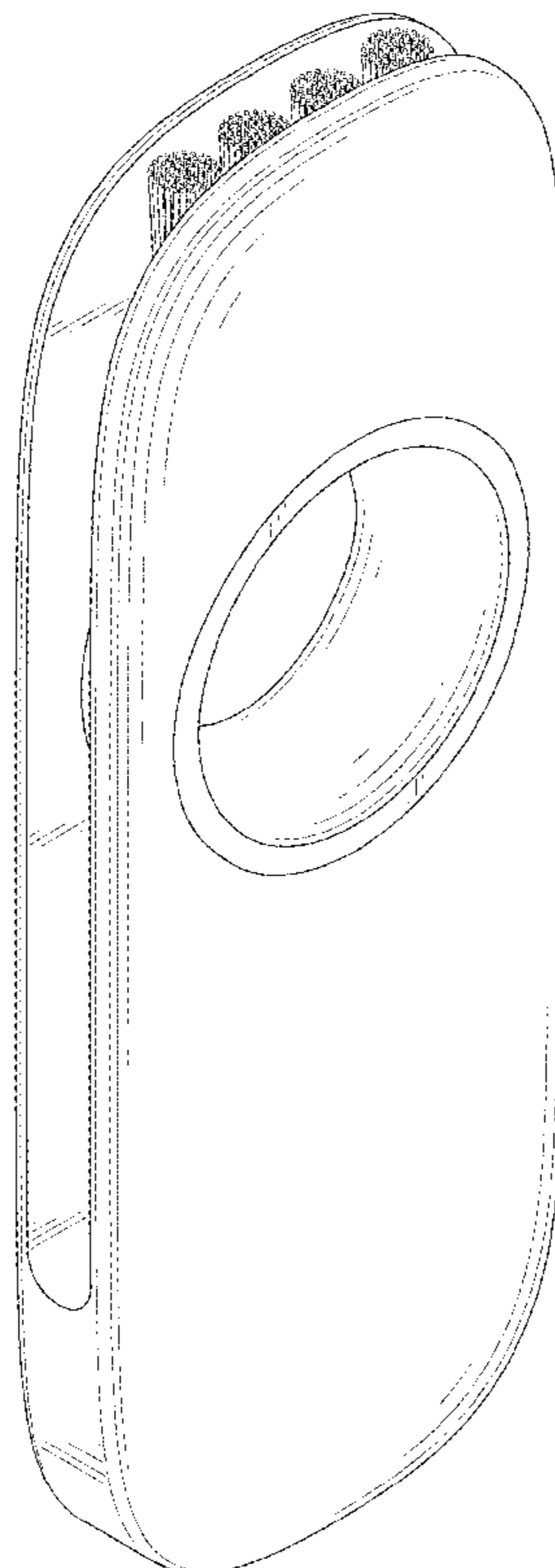
(57) **CLAIM**

The ornamental design for a facial cleaning brush, as shown and described.

**DESCRIPTION**

FIG. 1 is a perspective view of a facial cleaning brush showing my new design;  
FIG. 2 is another perspective view thereof;  
FIG. 3 is a front elevational view thereof;  
FIG. 4 is a rear elevational view thereof;  
FIG. 5 is a left side elevational view thereof;  
FIG. 6 is a right side elevational view thereof;  
FIG. 7 is a top plan view thereof;  
FIG. 8 is a bottom plan view thereof; and,  
FIG. 9 is a perspective view of the facial cleaning brush in a second state.

**1 Claim, 9 Drawing Sheets**



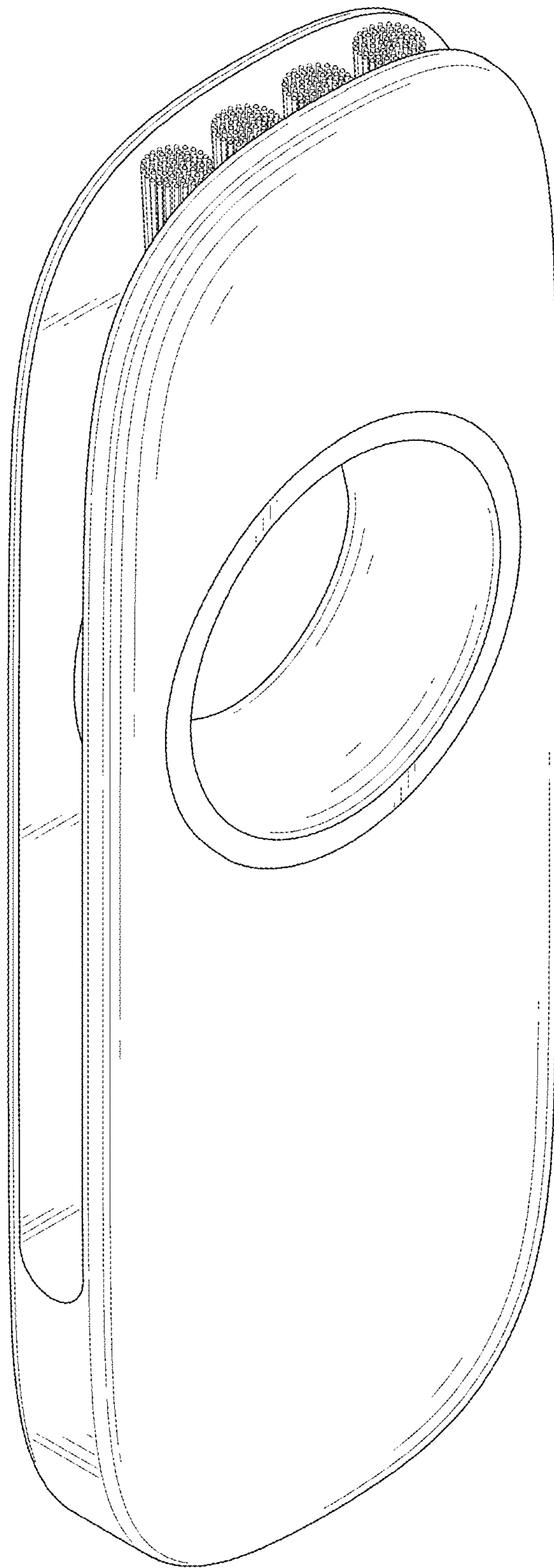


FIG. 1

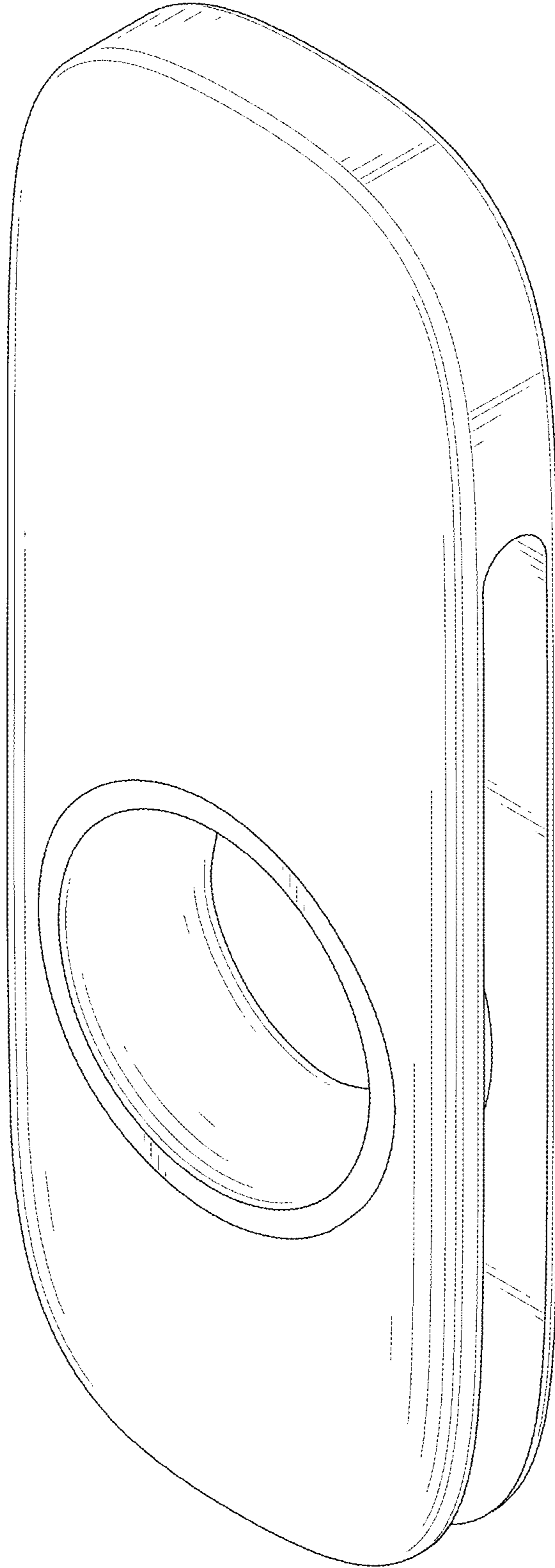


FIG. 2

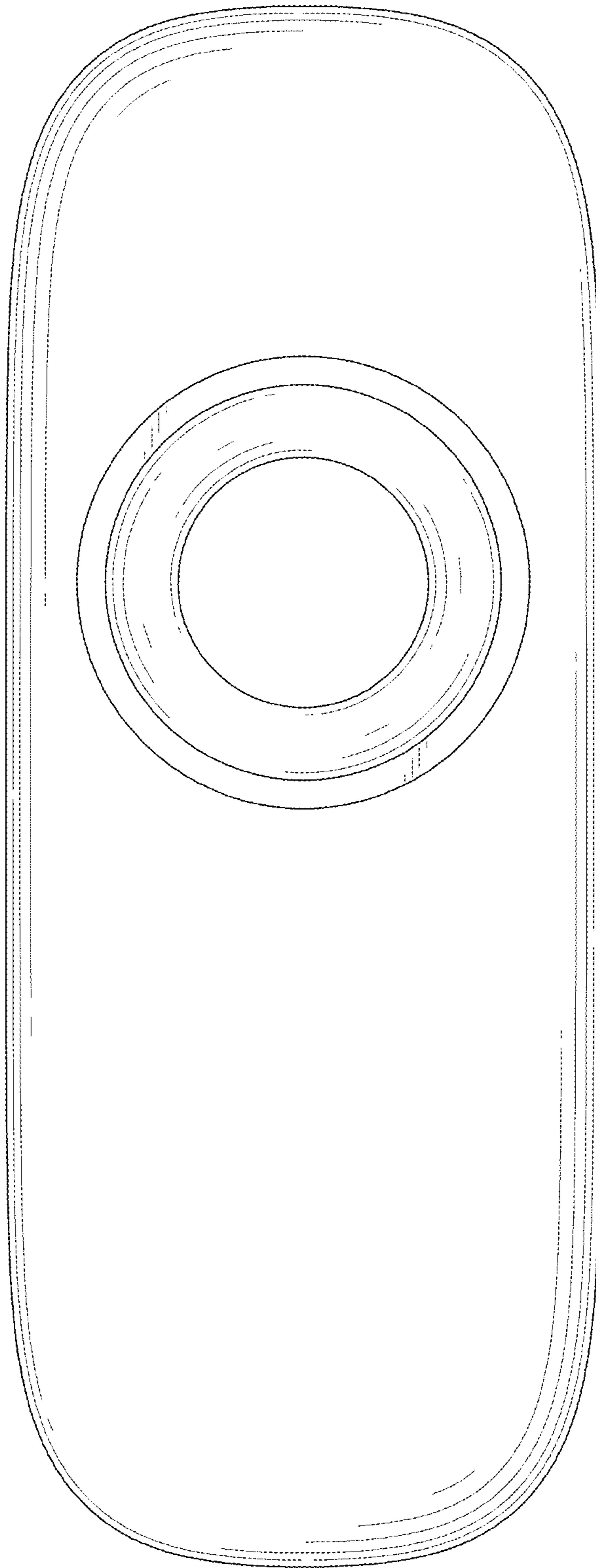


FIG. 3

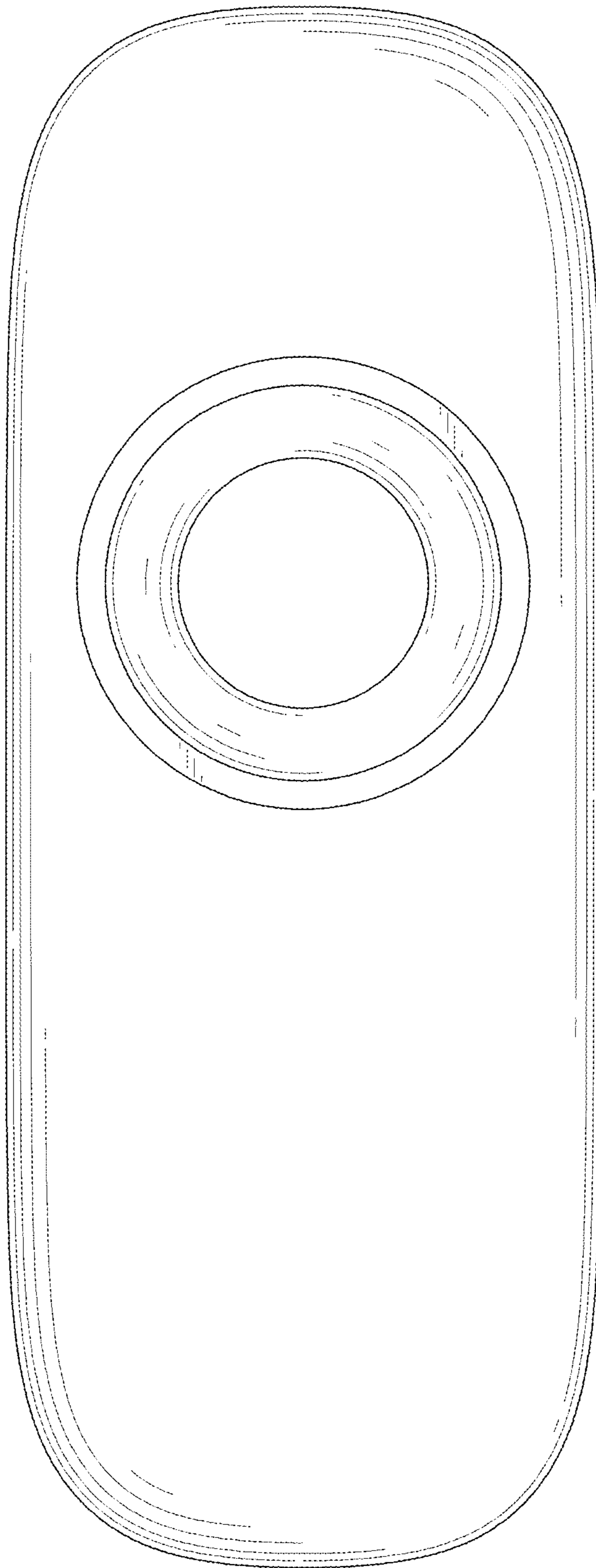


FIG. 4

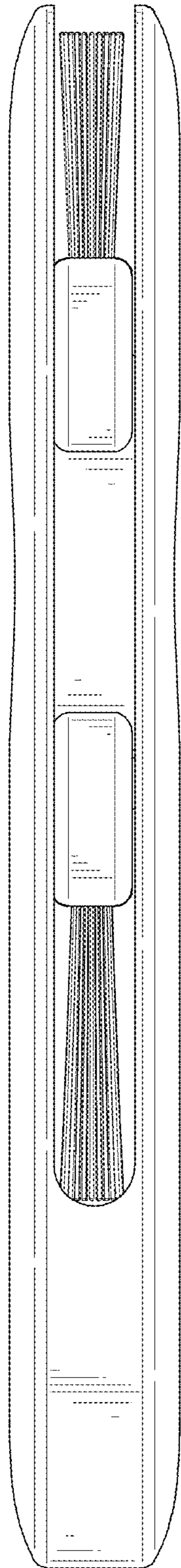


FIG. 5

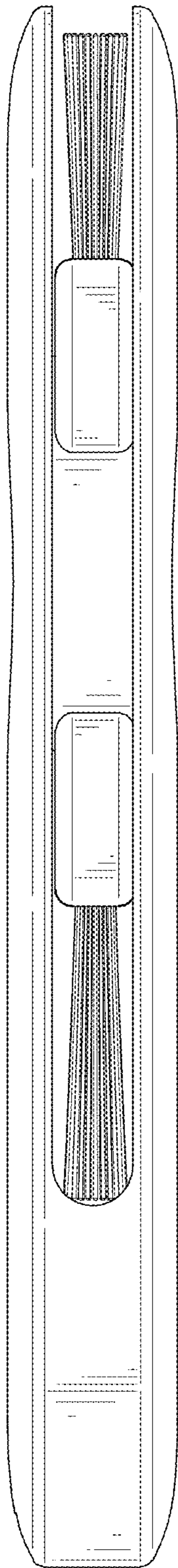


FIG. 6

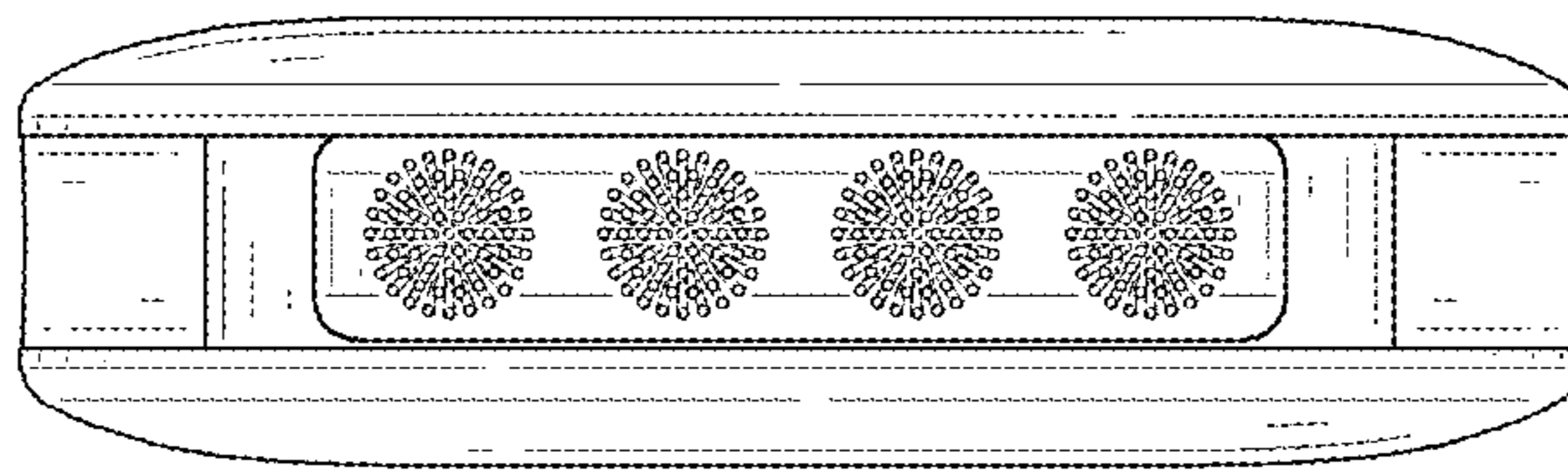


FIG. 7



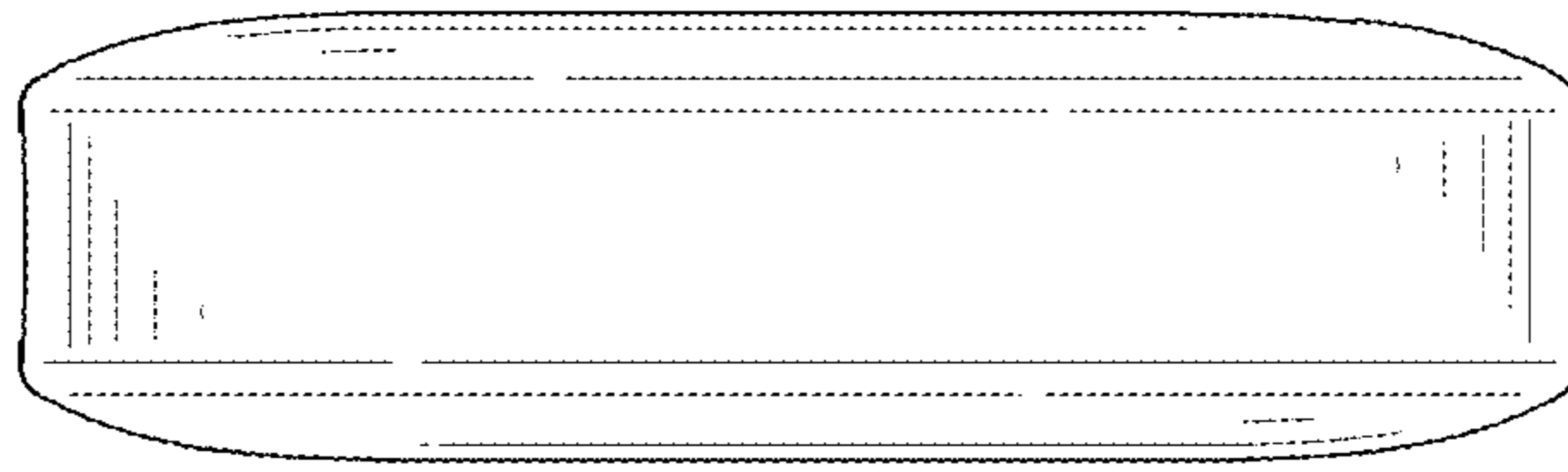


FIG. 8

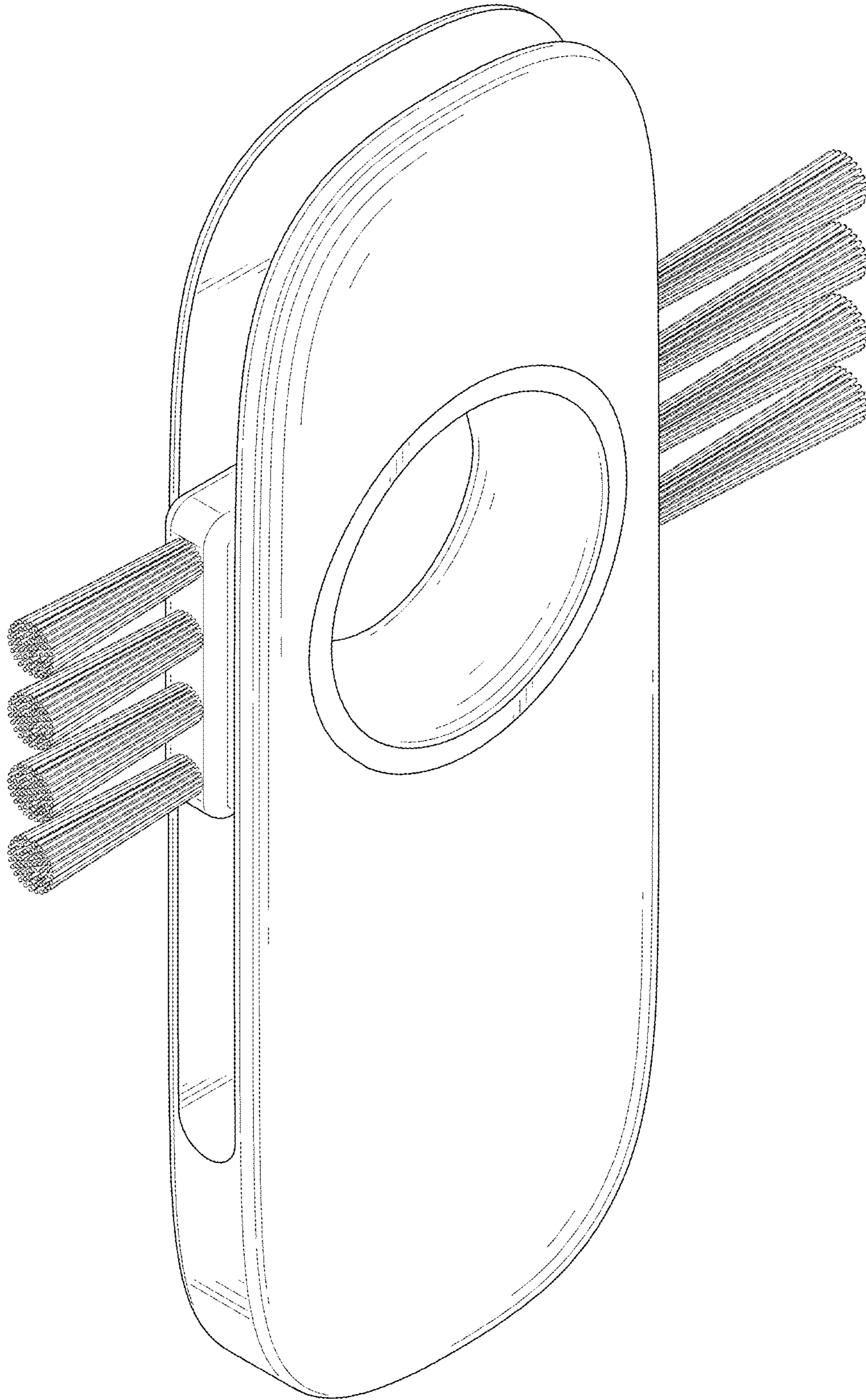


FIG. 9