



US00D891783S

(12) **United States Design Patent** (10) **Patent No.:** **US D891,783 S**  
**Borozan et al.** (45) **Date of Patent:** **\*\* Aug. 4, 2020**

(54) **WOOD/BAMBOO CONTAINER LID**

D738,111 S \* 9/2015 Otto ..... D3/302  
D740,029 S \* 10/2015 Otto ..... D3/302  
D741,066 S \* 10/2015 Abdi ..... D3/318  
D790,337 S \* 6/2017 Sofy ..... D3/232

(71) Applicants: **David Borozan**, Seminole, FL (US);  
**Nischal Pahari**, Seminole, FL (US)

\* cited by examiner

(72) Inventors: **David Borozan**, Seminole, FL (US);  
**Nischal Pahari**, Seminole, FL (US)

*Primary Examiner* — Holly H Baynham

(74) *Attorney, Agent, or Firm* — Larson & Larson, P.A.;  
Frank Liebenow; Justin P. Miller

(\*\*) Term: **15 Years**

(57) **CLAIM**

(21) Appl. No.: **29/687,613**

The ornamental design for a wood/bamboo container lid, as shown and described.

(22) Filed: **Apr. 15, 2019**

**DESCRIPTION**

(51) **LOC (12) Cl.** ..... **03-01**

(52) **U.S. Cl.**  
USPC ..... **D3/326; D3/318**

(58) **Field of Classification Search**  
USPC ..... D3/318, 326  
CPC ... B65D 25/32; B65D 43/0256; B65D 43/161  
See application file for complete search history.

(56) **References Cited**

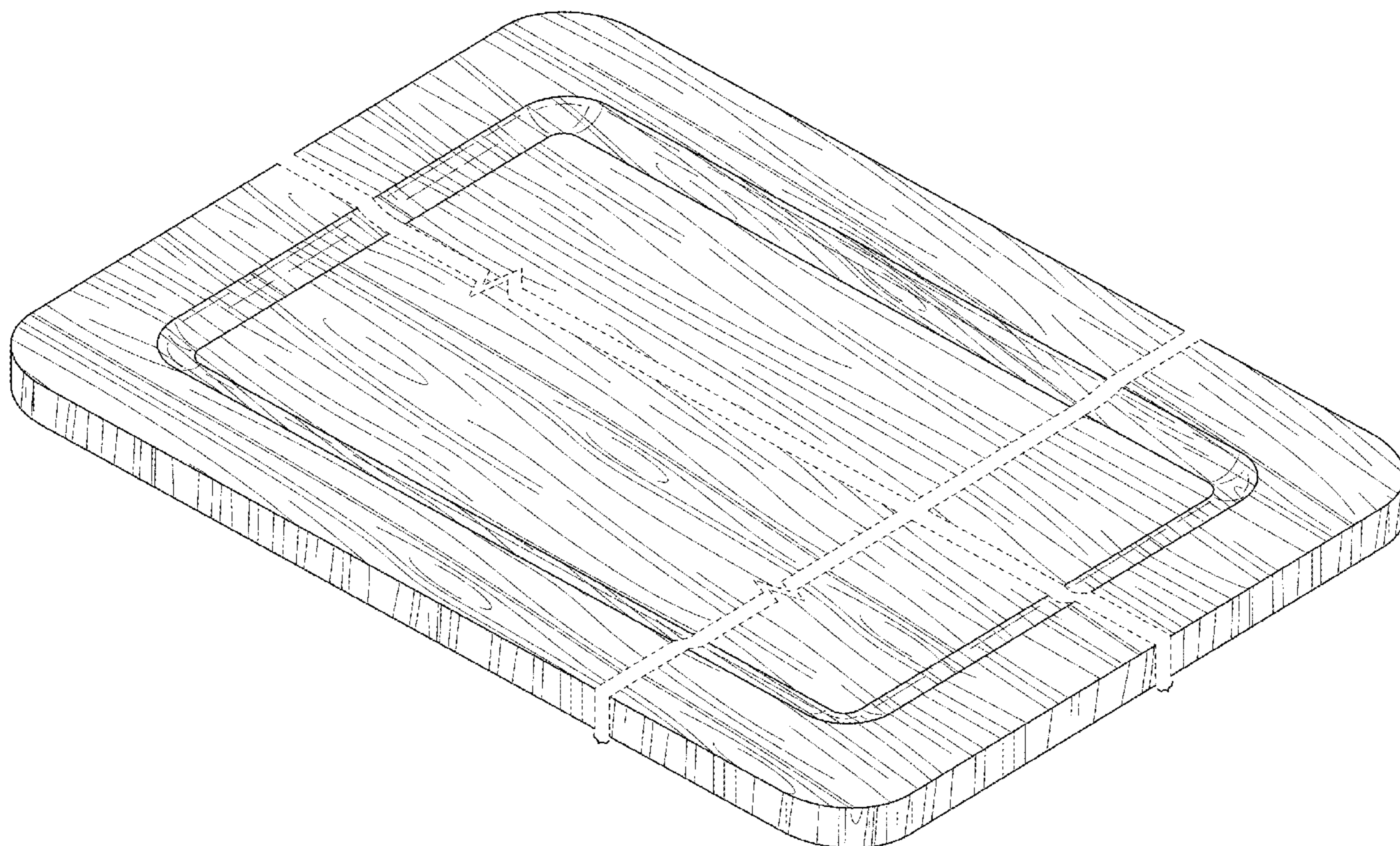
**U.S. PATENT DOCUMENTS**

3,164,289 A \* 1/1965 Cocchiarella ..... B65D 51/145  
220/578  
D376,693 S \* 12/1996 Wolff ..... D3/302  
D415,897 S \* 11/1999 Lacy ..... D3/277

FIG. 1 is a top perspective view of a wood/bamboo container lid showing our new design;  
FIG. 2 is a bottom perspective view thereof;  
FIG. 3 is a front elevation view thereof;  
FIG. 4 is a rear elevation view thereof;  
FIG. 5 is a right side elevational view thereof;  
FIG. 6 is a left side elevational view thereof;  
FIG. 7 is a top plan view thereof;  
FIG. 8 is a bottom plan view thereof; and,  
FIG. 9 is a bottom perspective view thereof showing a container of the environment.

The broken lines a container are for the purposes of illustrating environment and form no part of the claimed design.

**1 Claim, 7 Drawing Sheets**



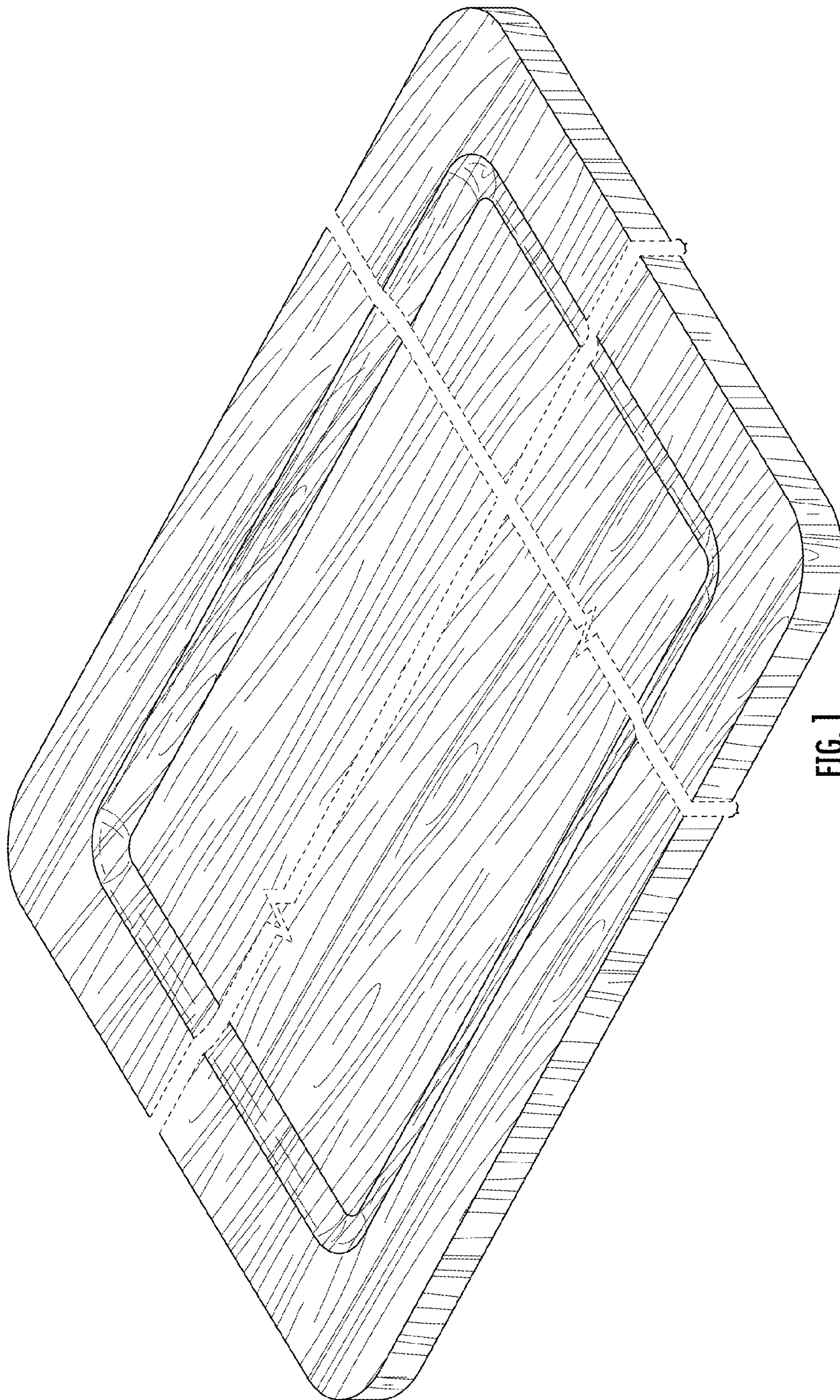


FIG. 1

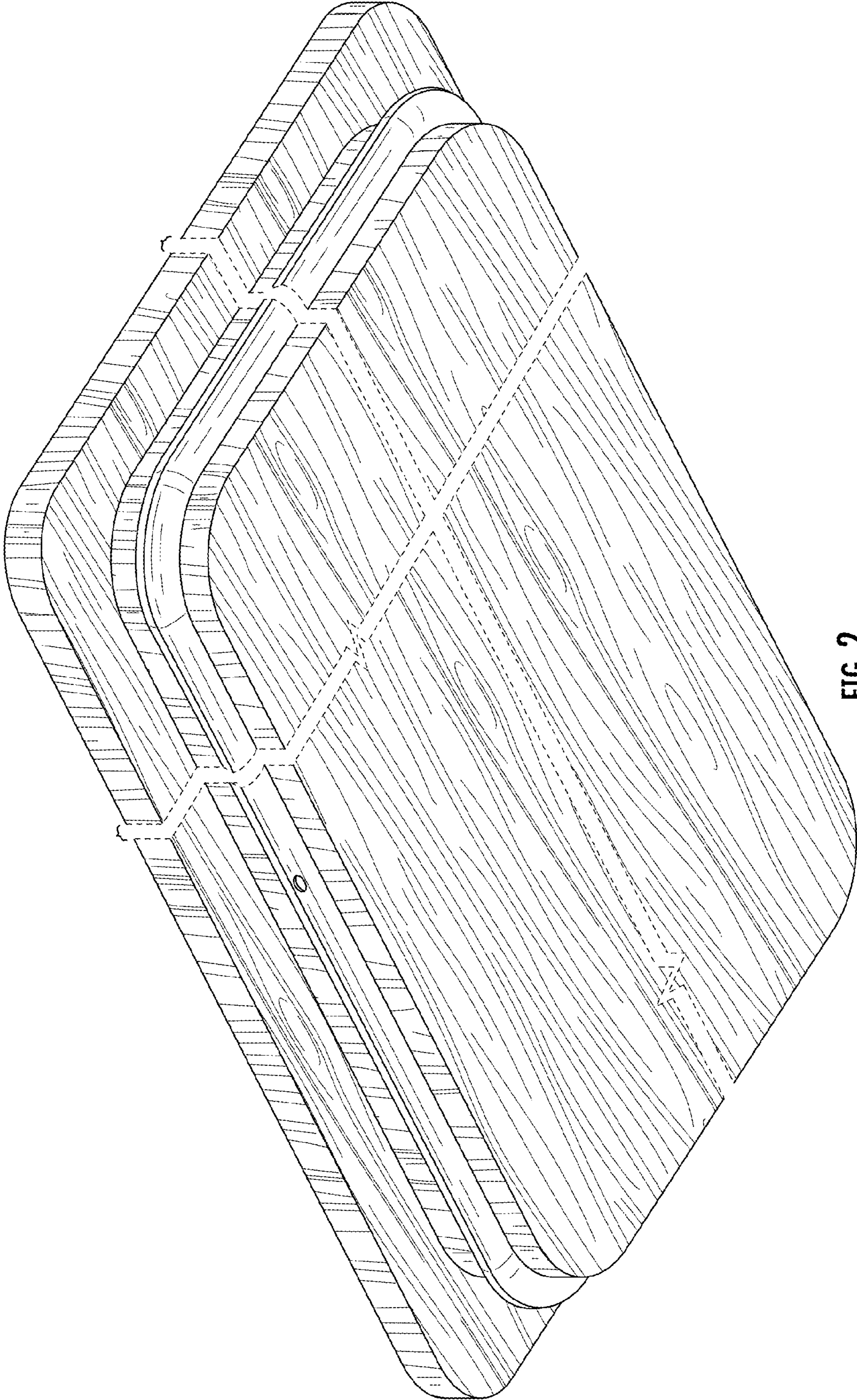


FIG. 2

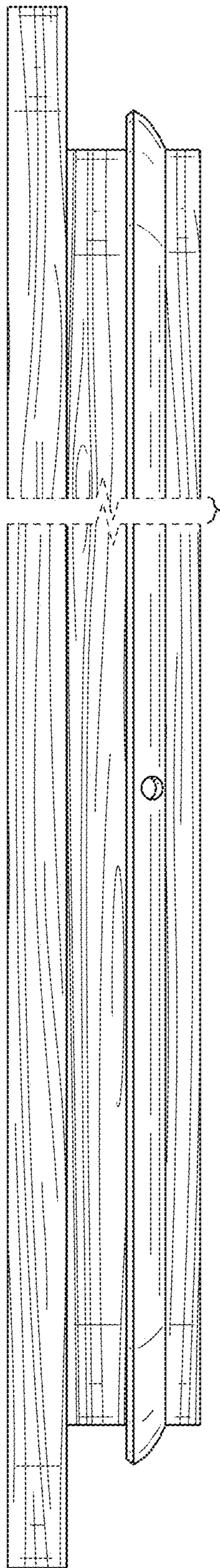


FIG. 3

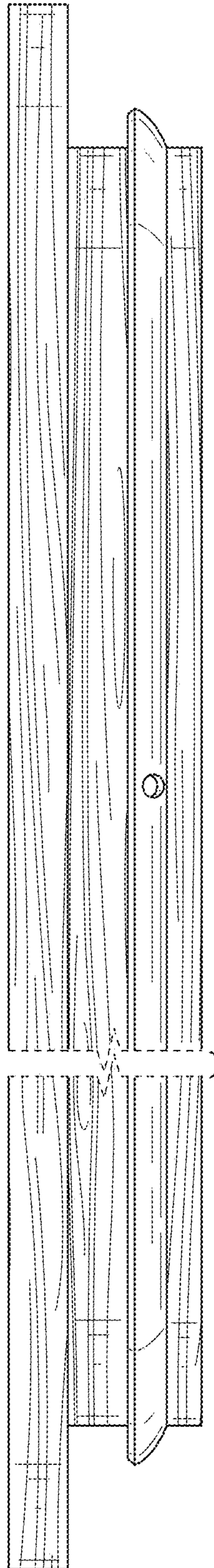


FIG. 4

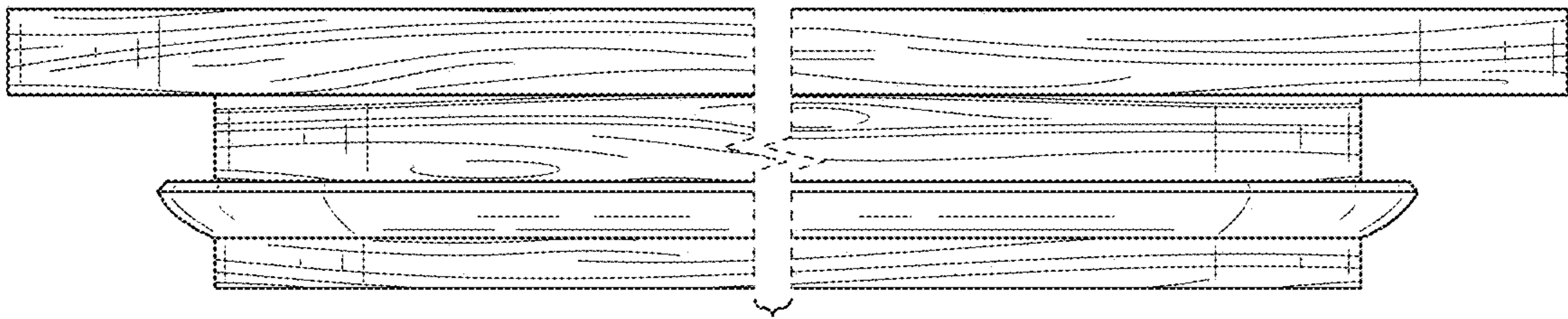


FIG. 5

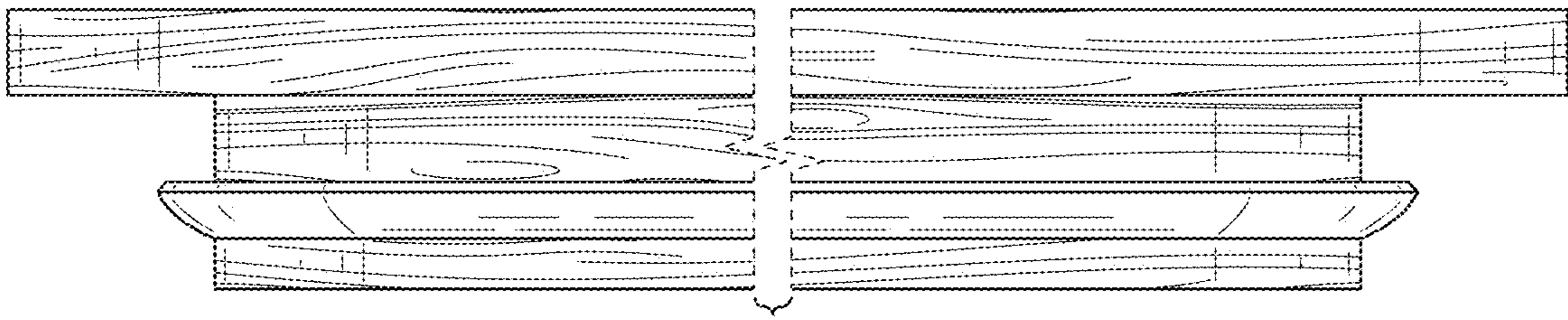


FIG. 6

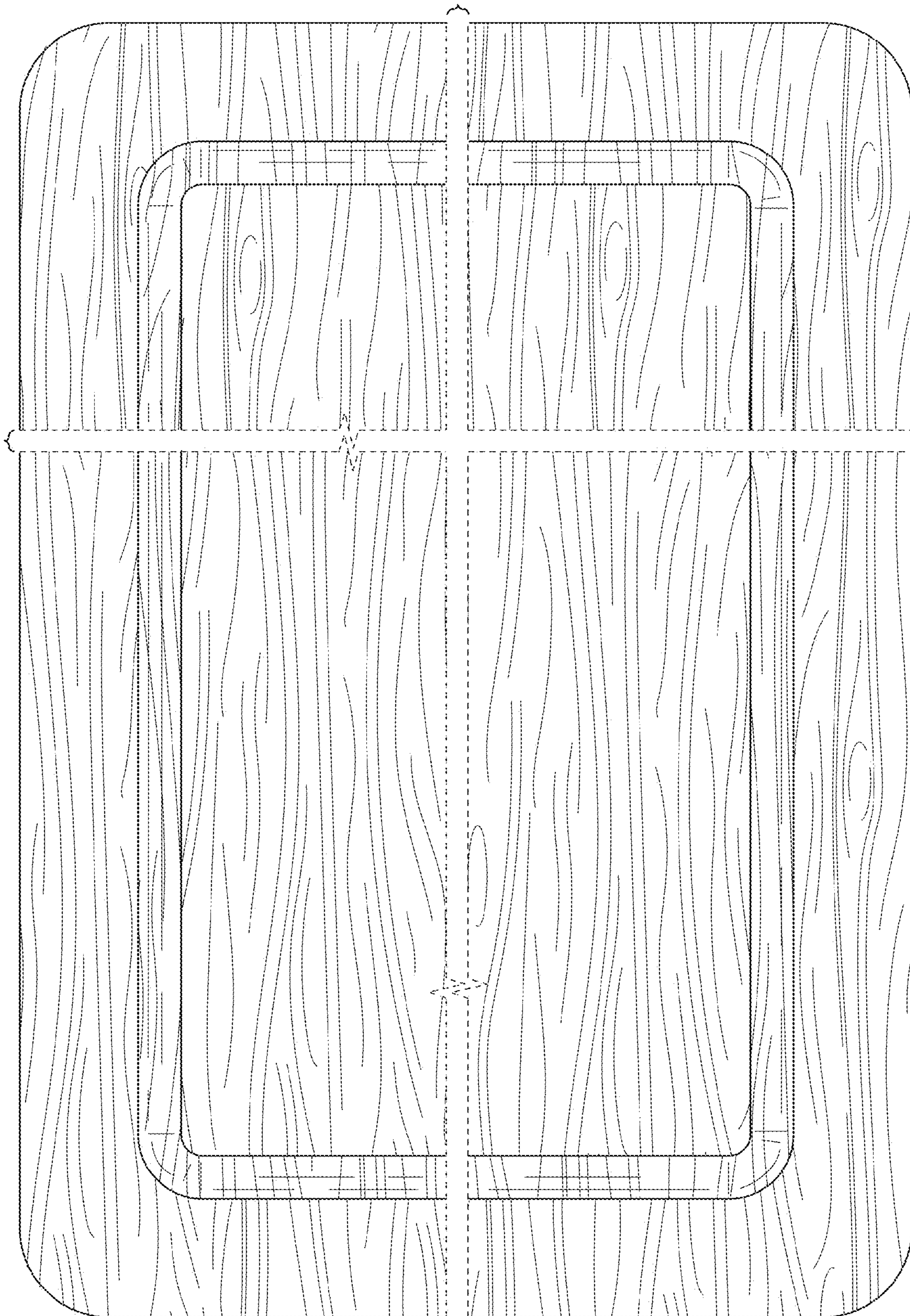


FIG. 7

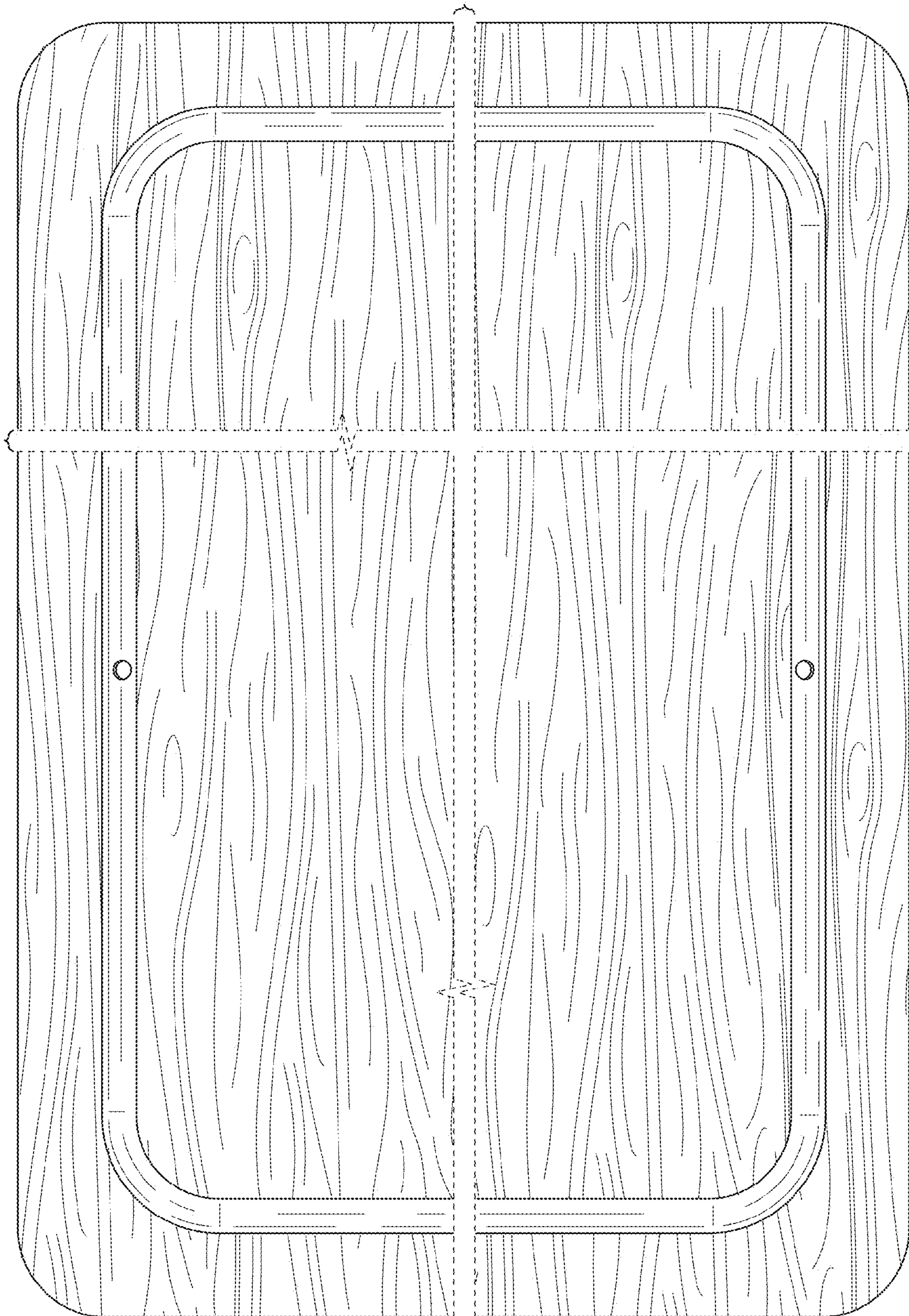


FIG. 8

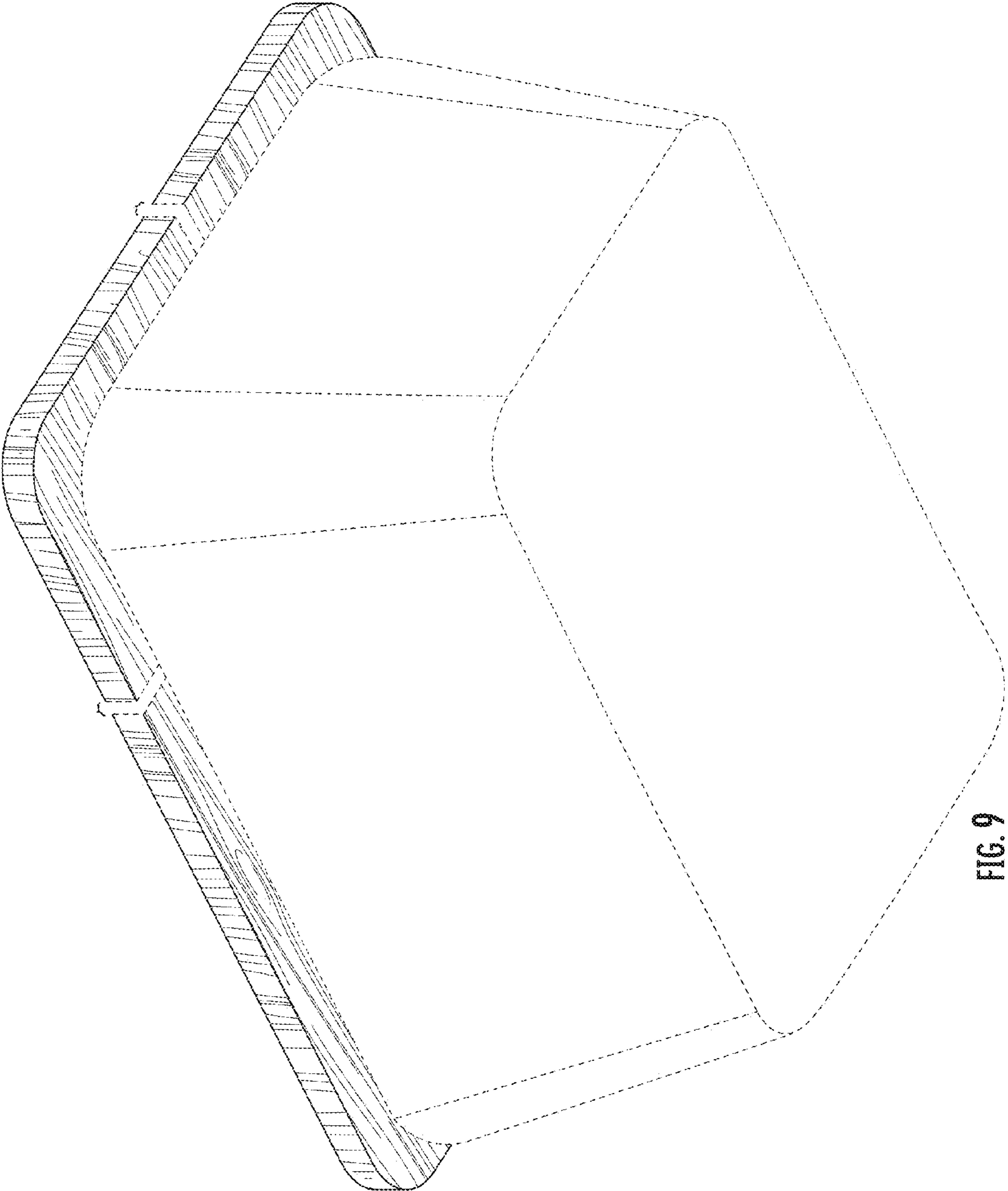


FIG. 9