



US00D891782S

(12) **United States Design Patent** (10) **Patent No.:** **US D891,782 S**
Ragias et al. (45) **Date of Patent:** **** Aug. 4, 2020**

(54) **LID FOR A CONTAINER**

Primary Examiner — Holly H Baynham

(71) Applicant: **Oneida Consumer, LLC**, Columbus, OH (US)

(74) *Attorney, Agent, or Firm* — Tucker Ellis LLP; Carlos P. Garritano

(72) Inventors: **Christos Argirios Ragias**, Columbus, OH (US); **Garet Riley Miller**, Chillicothe, OH (US); **Brian J. Demers**, Charlotte, NC (US)

(57) **CLAIM**

The ornamental design for a lid for a container, as shown and described.

(73) Assignee: **Oneida Consumer, LLC**, Columbus, OH (US)

(**) Term: **15 Years**

DESCRIPTION

(21) Appl. No.: **29/684,933**

FIG. 1 is a perspective view of an embodiment of a lid for a container showing a new design;

(22) Filed: **Mar. 25, 2019**

FIG. 2 is a front view of the lid for a container illustrated in FIG. 1;

(51) **LOC (12) Cl.** **03-01**

FIG. 3 is a rear view of the lid for a container illustrated in FIG. 1;

(52) **U.S. Cl.**

USPC **D3/318**; D3/323; D9/435

FIG. 4 is a top side view of the lid for a container illustrated in FIG. 1;

(58) **Field of Classification Search**

USPC D3/318, 323; D9/435

FIG. 5 is a bottom side view of the lid for a container illustrated in FIG. 1;

CPC .. A61J 1/00; A61J 1/1412; B65D 1/00; B65D

1/02; B65D 1/10; B65D 1/46; B65D

FIG. 6 is a left side view of the lid for a container illustrated in FIG. 1; and

2585/56; B65D 41/00; B65D 41/38;

B65D 41/36; B65D 41/56; B65D 41/62;

B65D 47/06; B65D 47/08; B65D

FIG. 7 is a right side view of the lid for a container illustrated in FIG. 1.

2543/00046; B65D 2543/00092; B65D

5/46; B65D 2251/00

FIG. 8 is a perspective view of an embodiment of a lid for a container showing a new design;

See application file for complete search history.

FIG. 9 is a front view of the lid for a container illustrated in FIG. 8;

(56) **References Cited**

U.S. PATENT DOCUMENTS

3,447,714 A * 6/1969 Elliot B65D 43/0212

206/1.5

D297,875 S * 9/1988 Carville D3/318

5,641,090 A * 6/1997 Kowalski B65D 43/0212

220/782

6,142,332 A * 11/2000 Ferrara B65D 43/0218

220/212

7,063,230 B2 * 6/2006 Ciccone B65D 43/0256

220/792

FIG. 10 is a rear view of the lid for a container illustrated in FIG. 8;

FIG. 11 is a top side view of the lid for a container illustrated in FIG. 8;

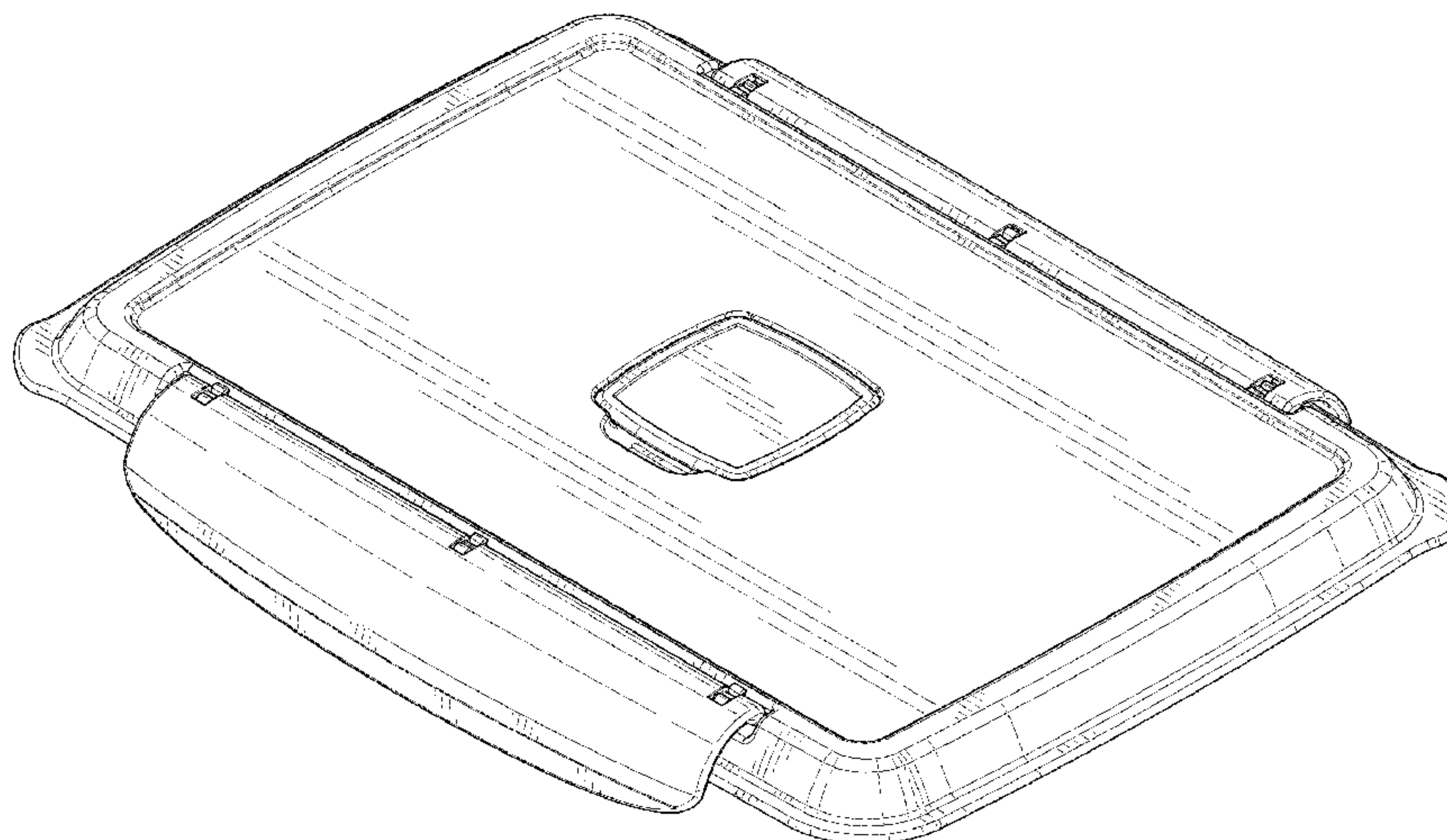
FIG. 12 is a bottom side view of the lid for a container illustrated in FIG. 8;

FIG. 13 is a left side view of the lid for a container illustrated in FIGS. 8; and,

FIG. 14 is a right side view of the lid for a container illustrated in FIG. 8.

(Continued)

1 Claim, 10 Drawing Sheets



(56)

References Cited

U.S. PATENT DOCUMENTS

D603,168 S * 11/2009 Melhede D3/318
D642,054 S * 7/2011 Samartgis D9/435
D642,462 S * 8/2011 Samartgis D9/435
10,144,557 B2 * 12/2018 Bischoff B65D 43/021

* cited by examiner



FIG. 1

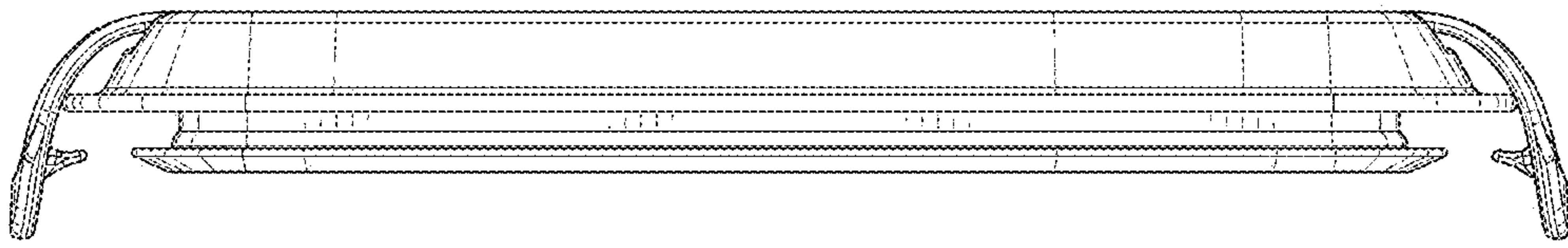


FIG. 2

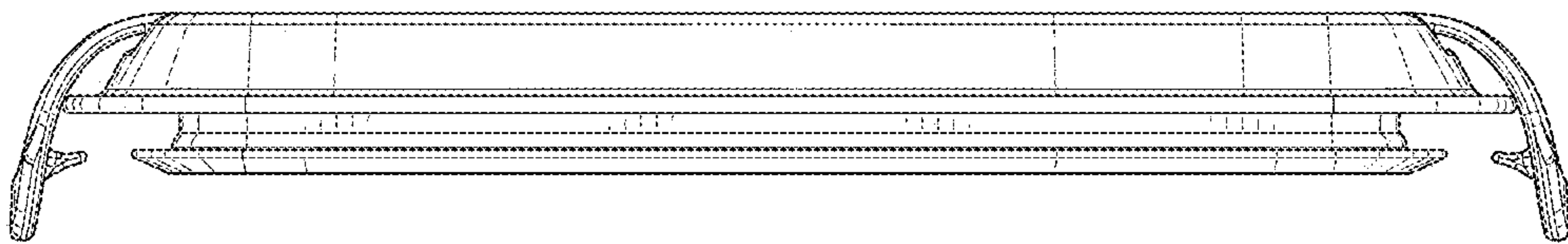


FIG. 3

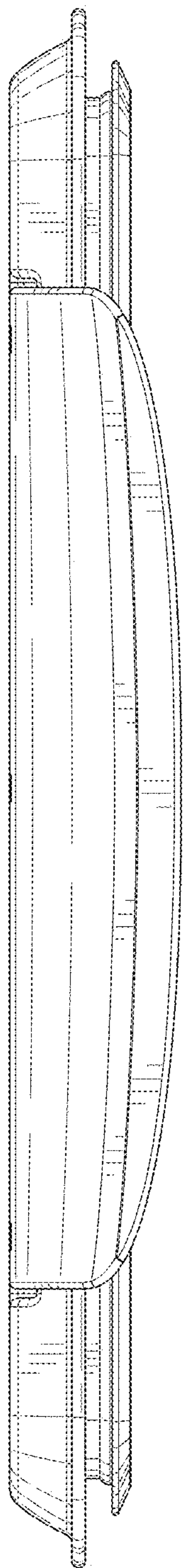


FIG. 4

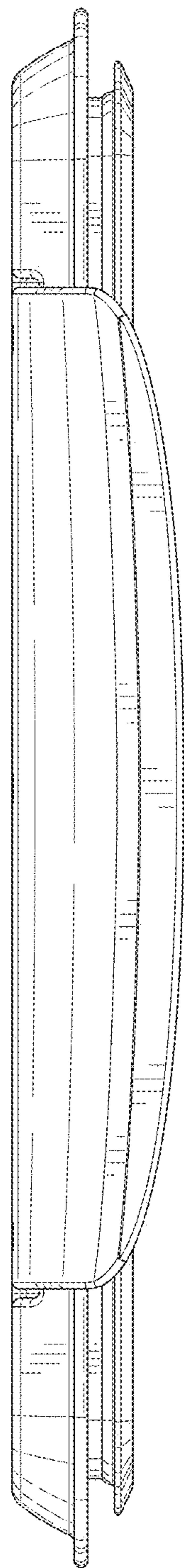


FIG. 5

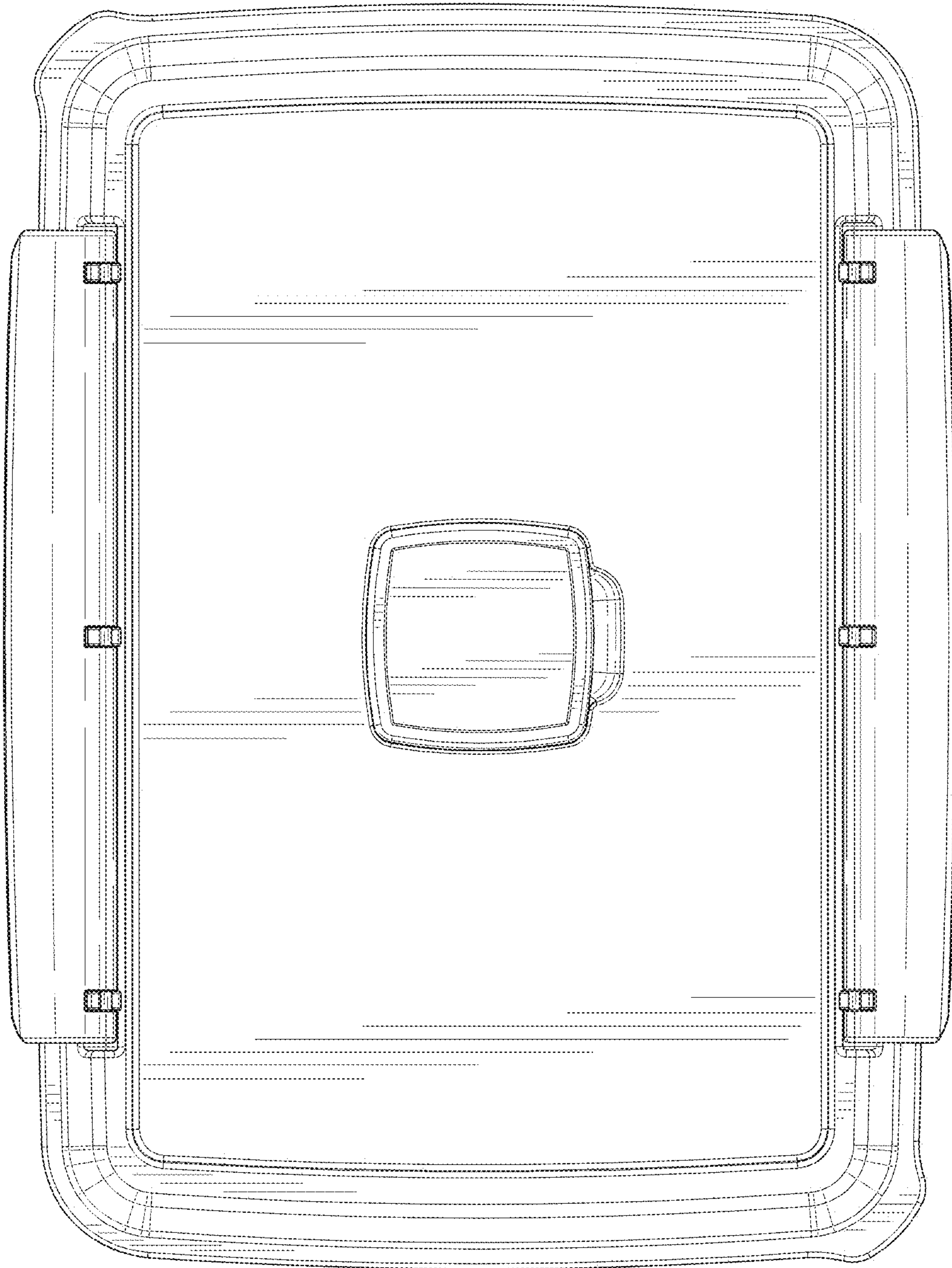


FIG. 6

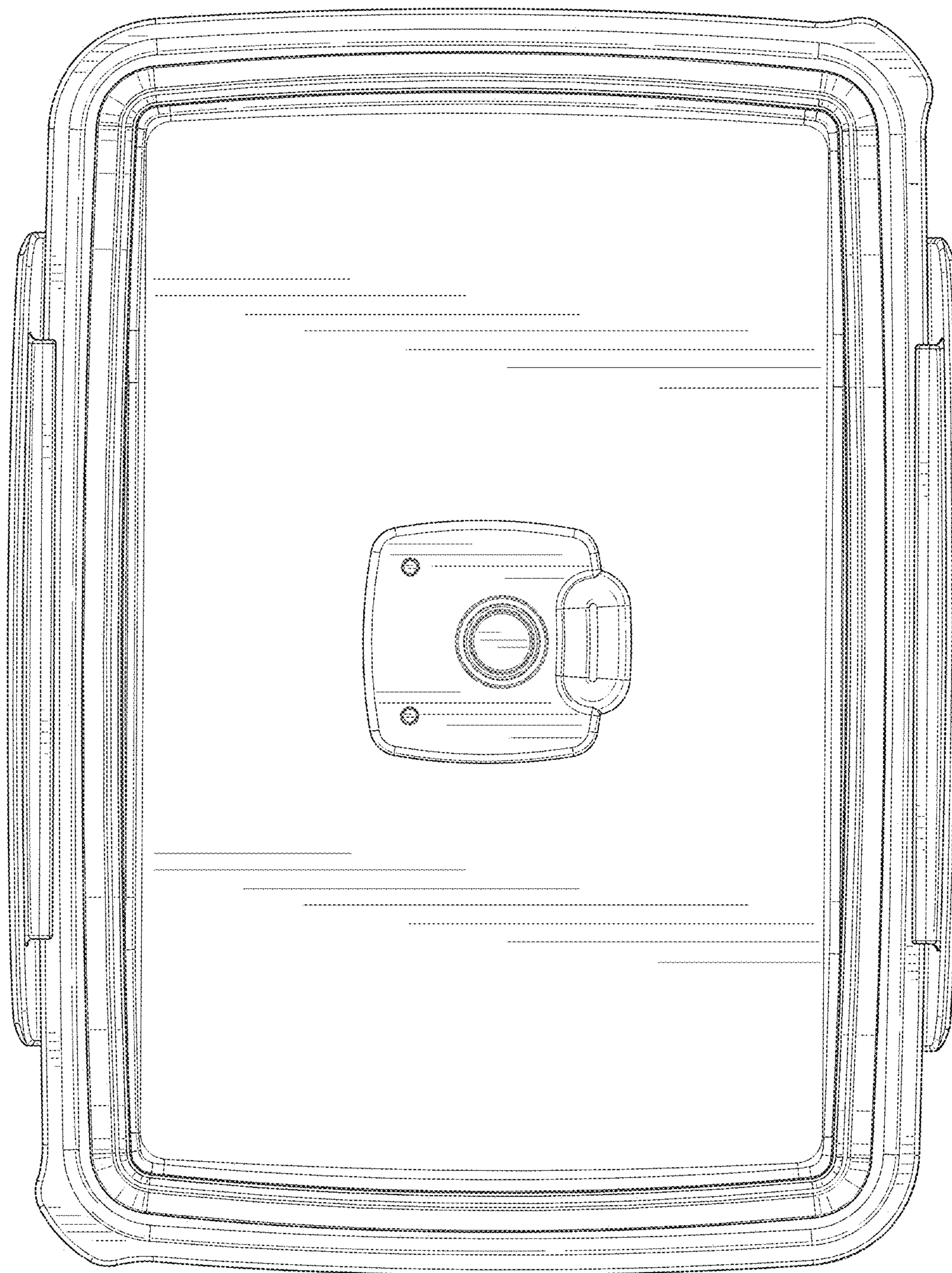


FIG. 7

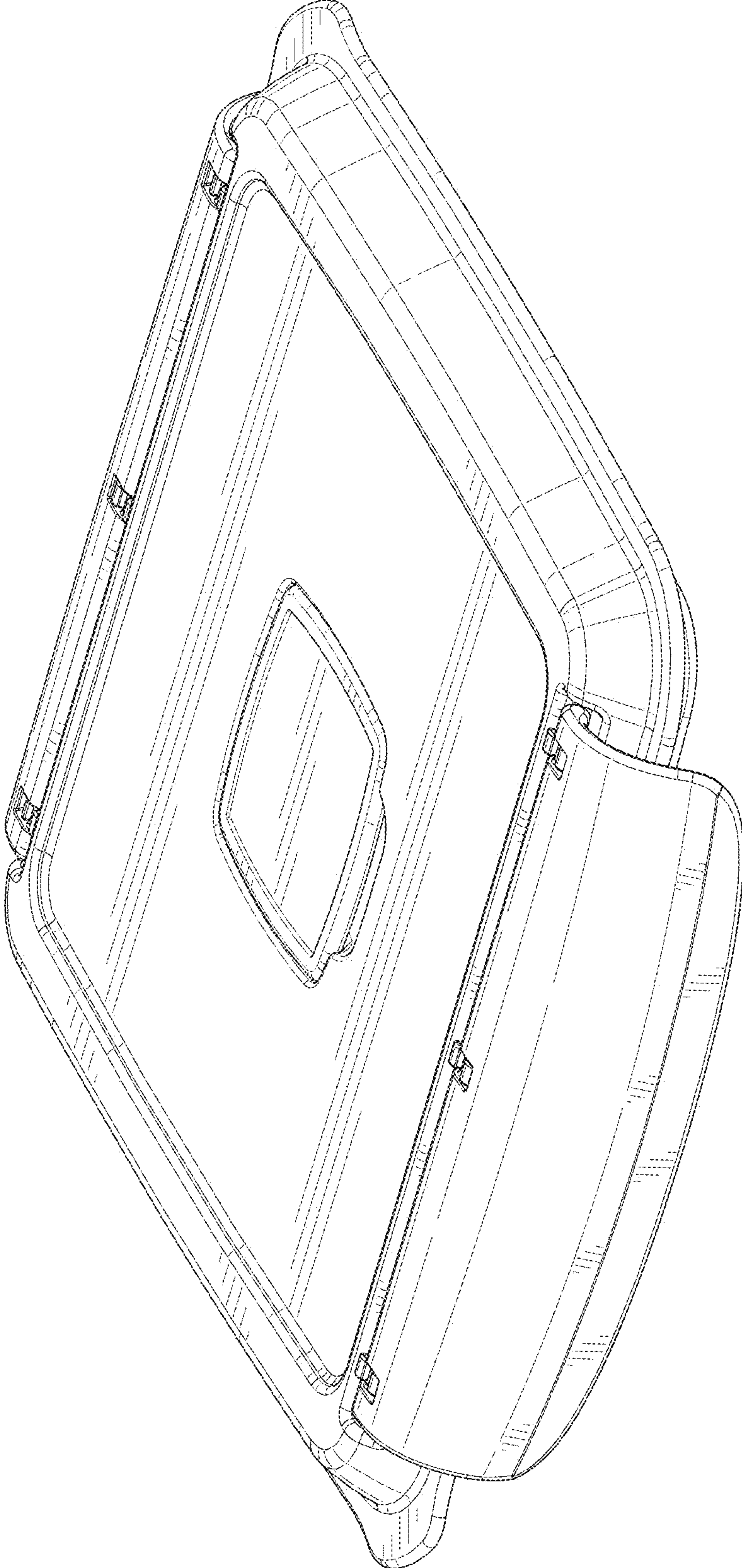


FIG. 8

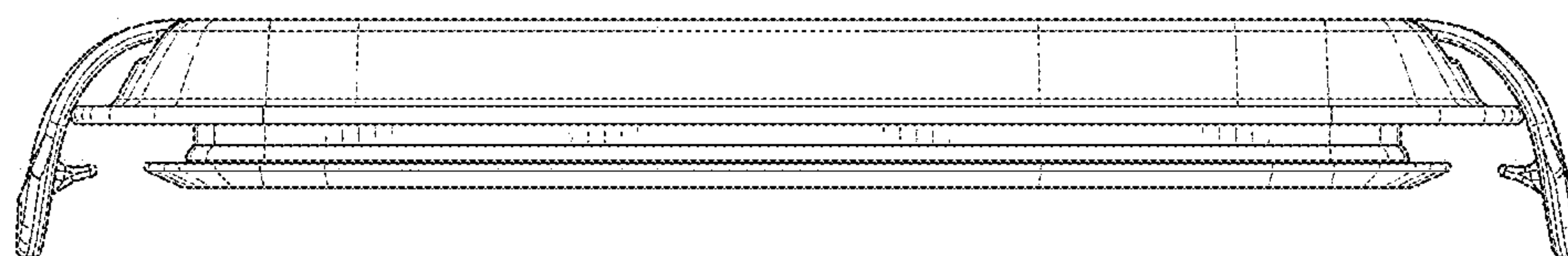


FIG. 9

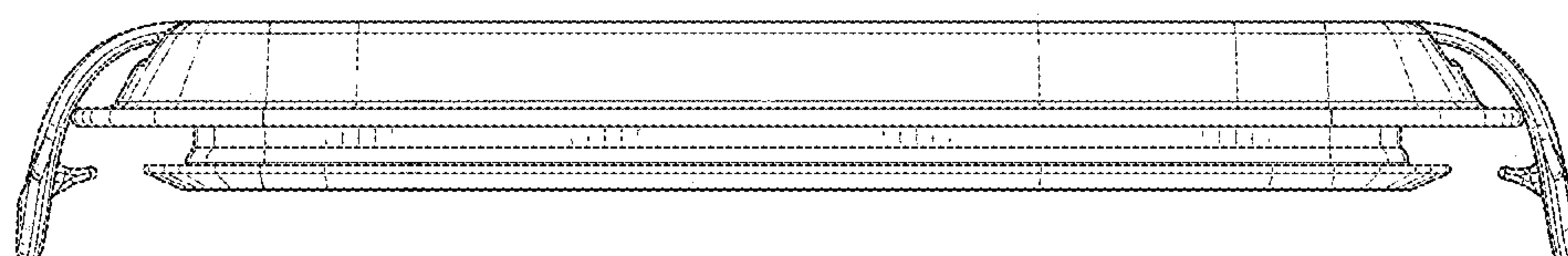


FIG. 10

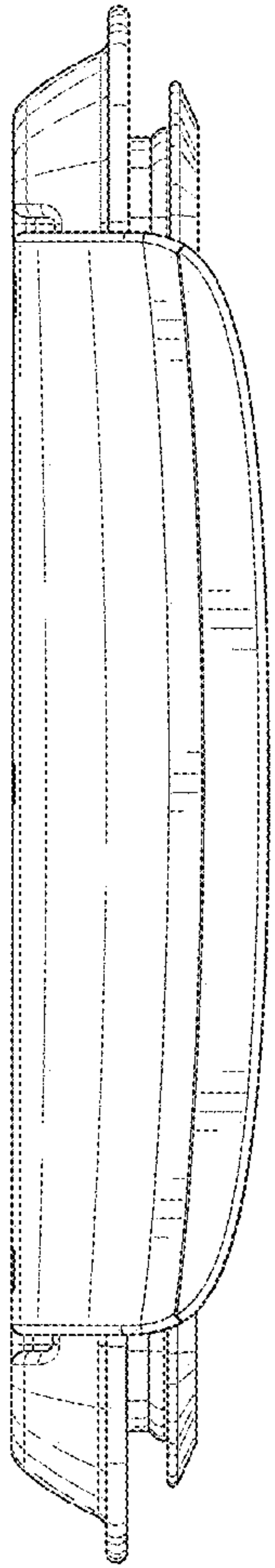


FIG. 11

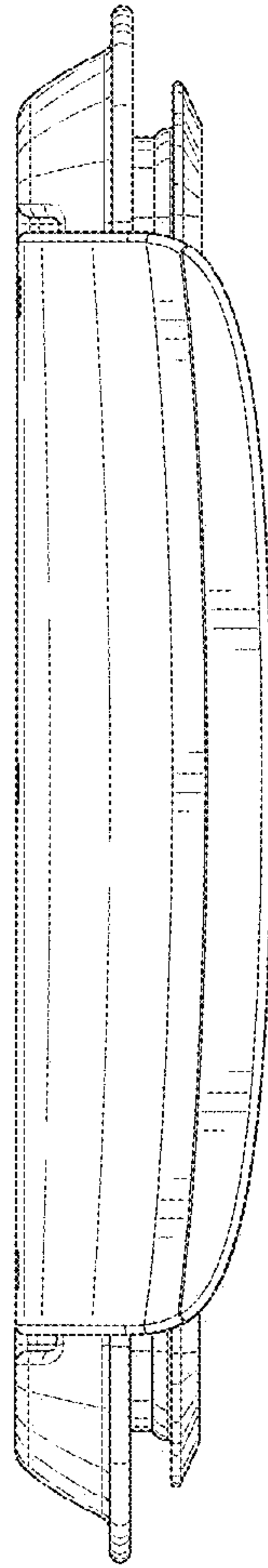


FIG. 12

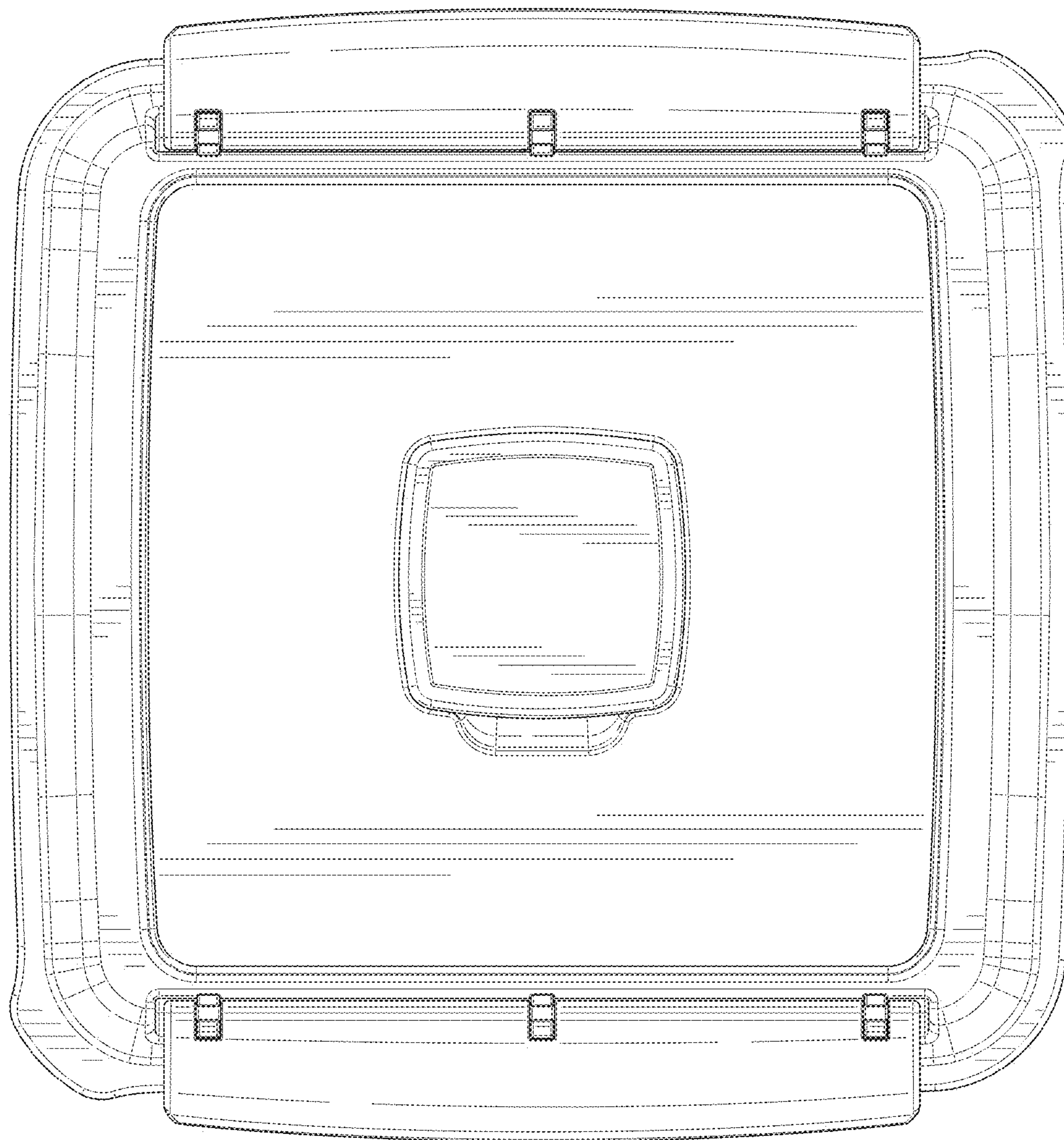


FIG. 13

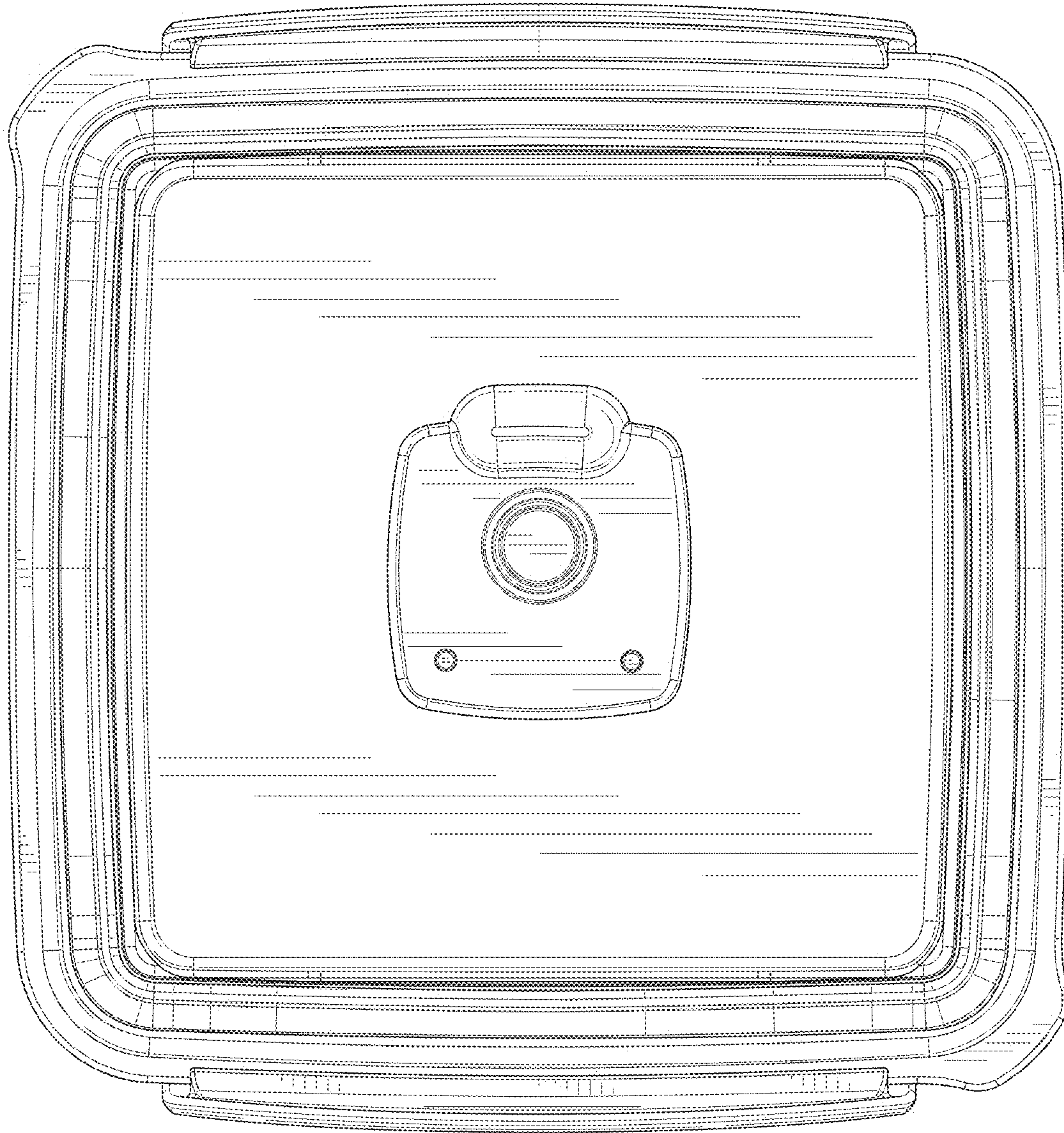


FIG. 14