



US00D891779S

(12) **United States Design Patent**  
**Dittrich**

(10) **Patent No.:** **US D891,779 S**

(45) **Date of Patent:** **\*\* Aug. 4, 2020**

(54) **BASKET**

(71) Applicant: **Spectrum Diversified Designs, LLC**,  
Streetsboro, OH (US)

(72) Inventor: **Megan Dittrich**, Twinsburg, OH (US)

(73) Assignee: **SPECTRUM DIVERSIFIED  
DESIGNS, LLC**, Streetsboro, OH (US)

(\*\*) Term: **15 Years**

(21) Appl. No.: **29/689,665**

(22) Filed: **May 1, 2019**

(51) **LOC (12) Cl.** ..... **03-01**

(52) **U.S. Cl.**  
USPC ..... **D3/306**

(58) **Field of Classification Search**  
USPC ..... D3/201, 304, 305, 306, 312, 314-315,  
D3/318-319; D19/75-77, 86  
CPC ..... B65D 1/00; B65D 1/34; B65D 1/38  
See application file for complete search history.

(56) **References Cited**

**U.S. PATENT DOCUMENTS**

D296,601 S	*	7/1988	Chap	.....	D3/306
D512,223 S	*	12/2005	Snell	.....	D3/304
D634,121 S	*	3/2011	Goodman	.....	D3/306
D636,999 S	*	5/2011	Goodman	.....	D3/306
D637,000 S	*	5/2011	Goodman	.....	D3/306
D641,979 S	*	7/2011	Goodman	.....	D3/306
D646,933 S	*	10/2011	Goodman	.....	D7/601

D648,131 S	*	11/2011	Goodman	.....	D3/306
D648,184 S	*	11/2011	Goodman	.....	D7/601
D650,175 S	*	12/2011	Lee	.....	D3/306
D697,371 S	*	1/2014	Goodman	.....	D3/306
D784,697 S	*	4/2017	Goodman	.....	D3/306
D785,368 S	*	5/2017	Goodman	.....	D6/566
D792,099 S	*	7/2017	Hsu	.....	D3/306
D815,497 S	*	4/2018	Goodman	.....	D7/609
D819,333 S	*	6/2018	Goodman	.....	D3/306
D823,599 S	*	7/2018	Goodman	.....	D3/306
D826,000 S	*	8/2018	Goodman	.....	D7/609
D862,883 S	*	10/2019	Stelmarski	.....	D3/306

\* cited by examiner

*Primary Examiner* — Kelley A Donnelly

(74) *Attorney, Agent, or Firm* — Tucker Ellis LLP

(57) **CLAIM**

The ornamental design for a basket, as shown and described.

**DESCRIPTION**

FIG. 1 is a perspective view of a basket showing my new design.

FIG. 2 is a front view thereof.

FIG. 3 is a rear view thereof.

FIG. 4 is a right side view thereof.

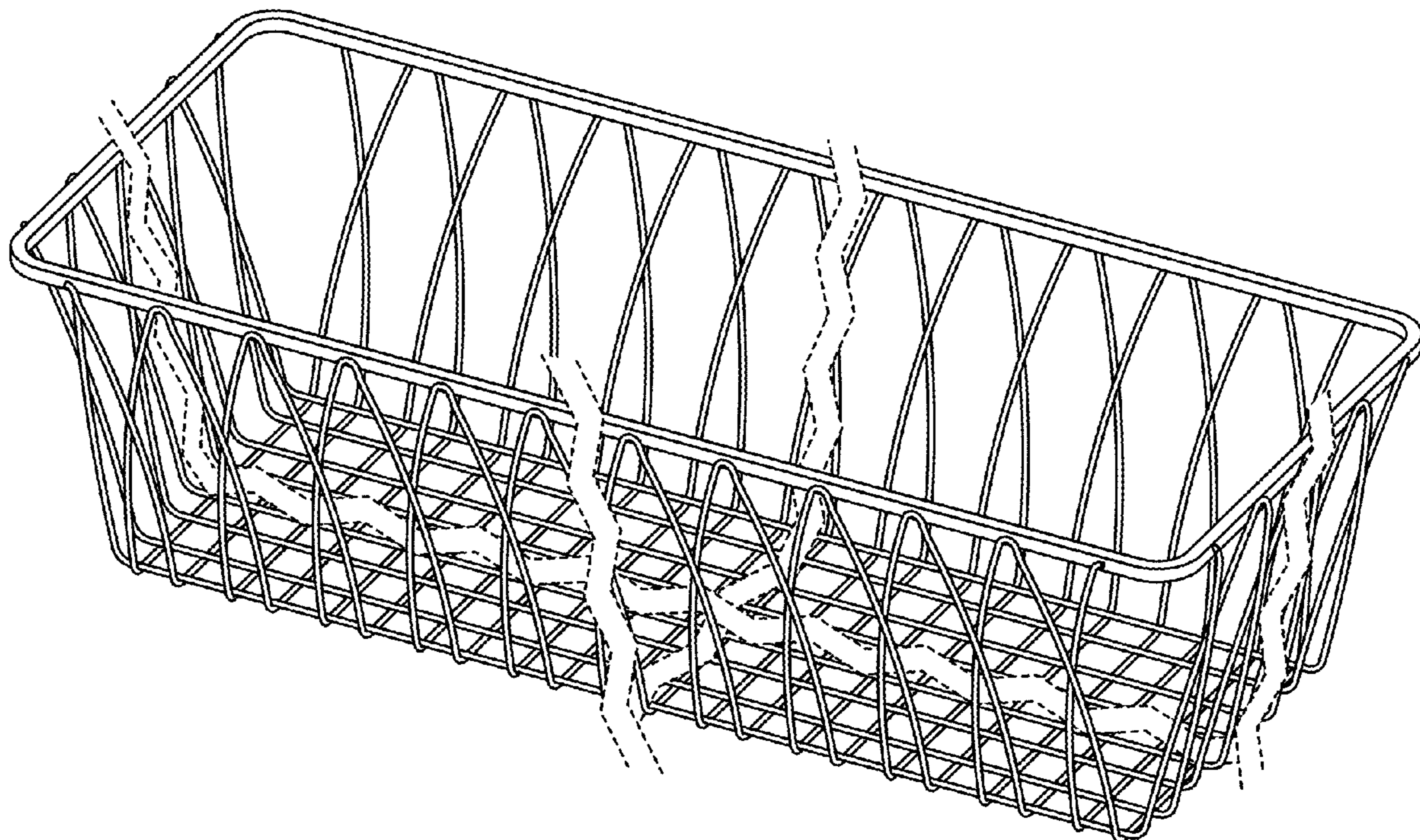
FIG. 5 is a left side view thereof.

FIG. 6 is a top view thereof; and,

FIG. 7 is a bottom view thereof.

The broken lines show portions of the design that form no part of the claimed design. The break lines represent a section of the basket of indeterminate length and indeterminate width.

**1 Claim, 4 Drawing Sheets**



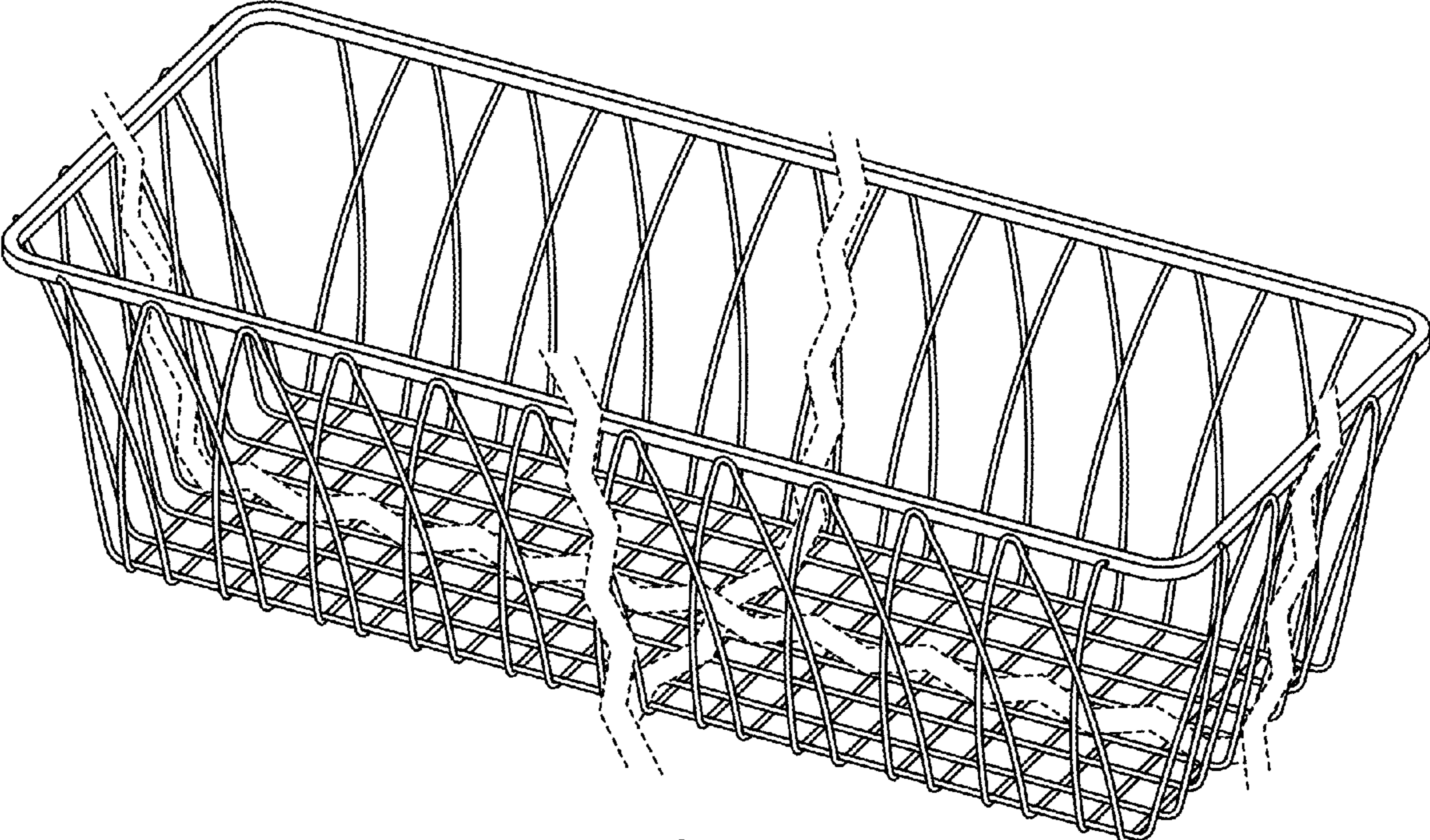


FIG. 1

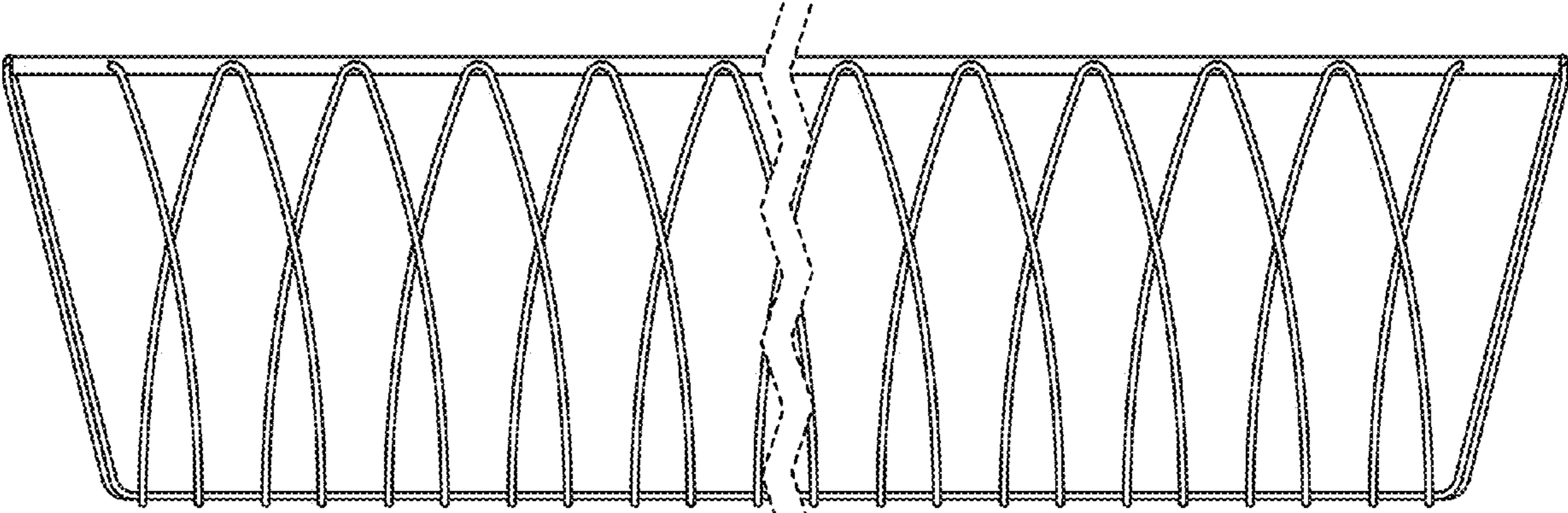


FIG. 2

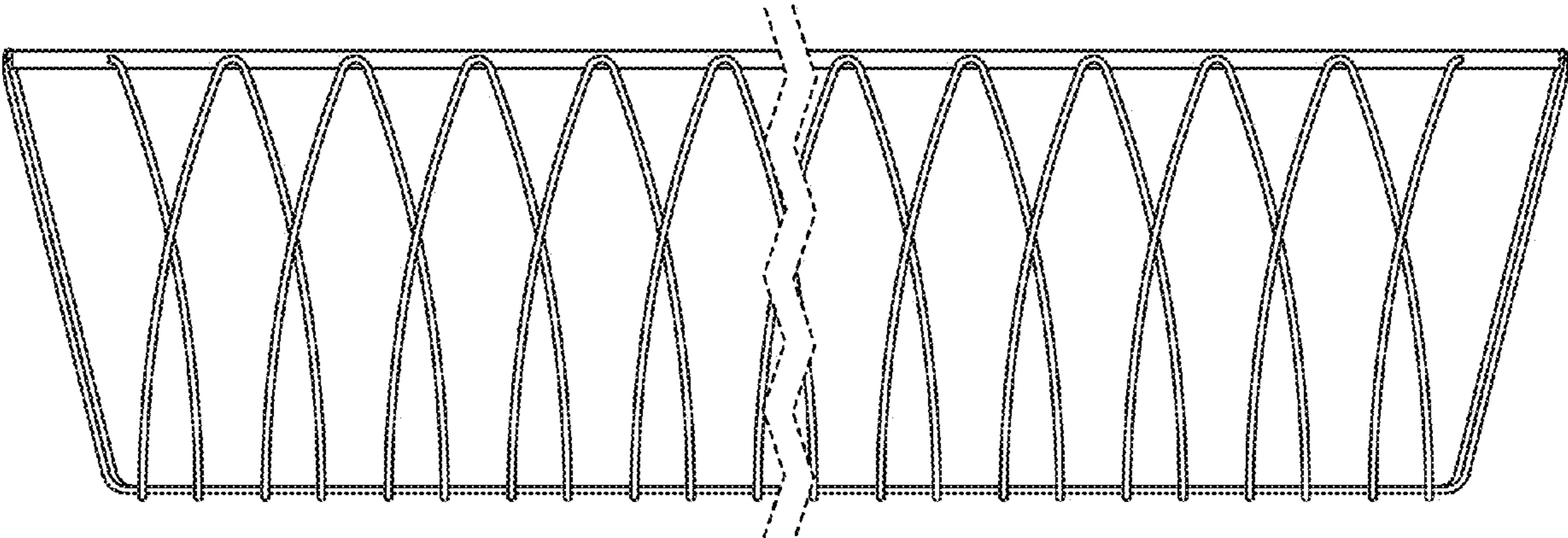


FIG. 3

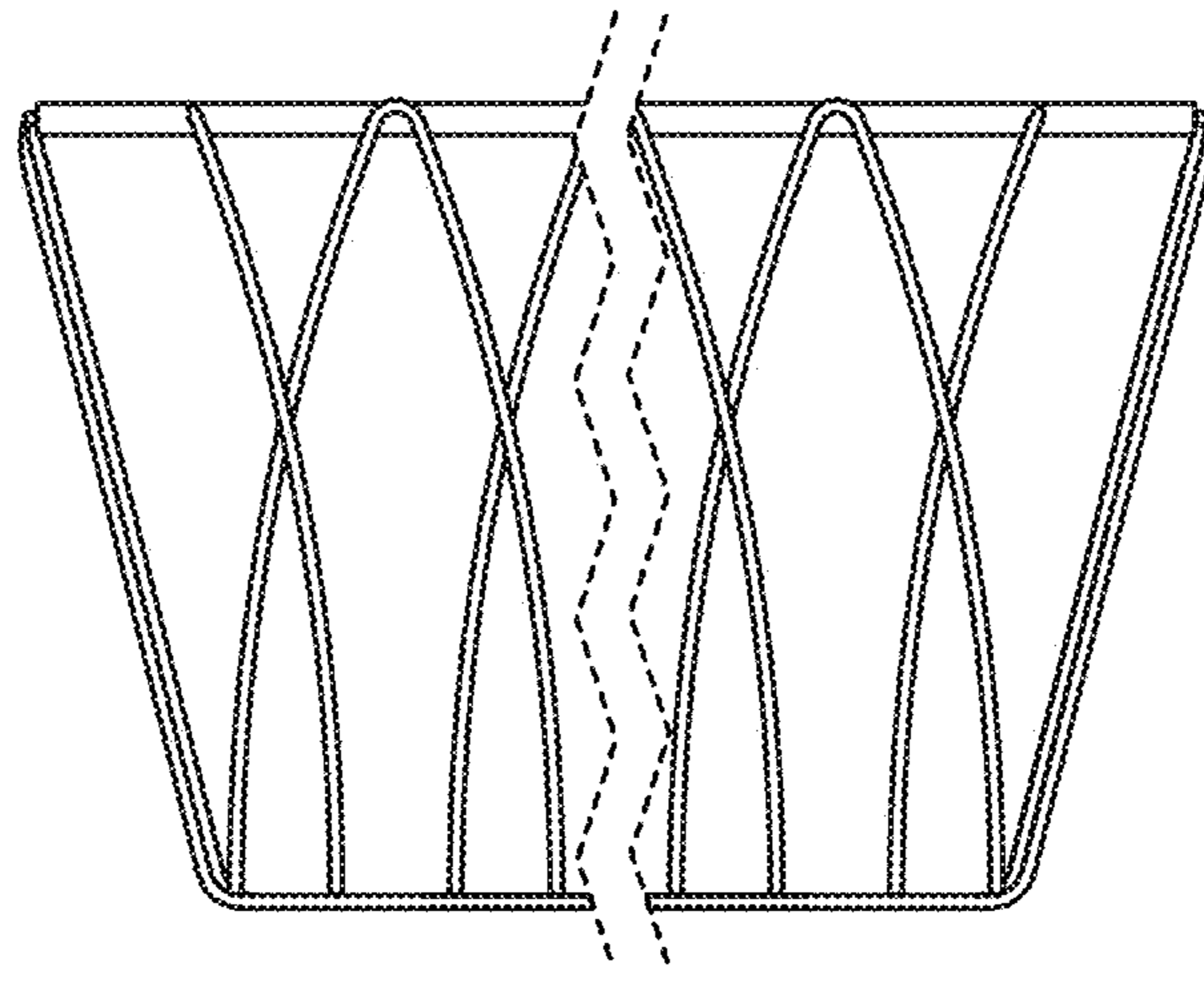


FIG. 4

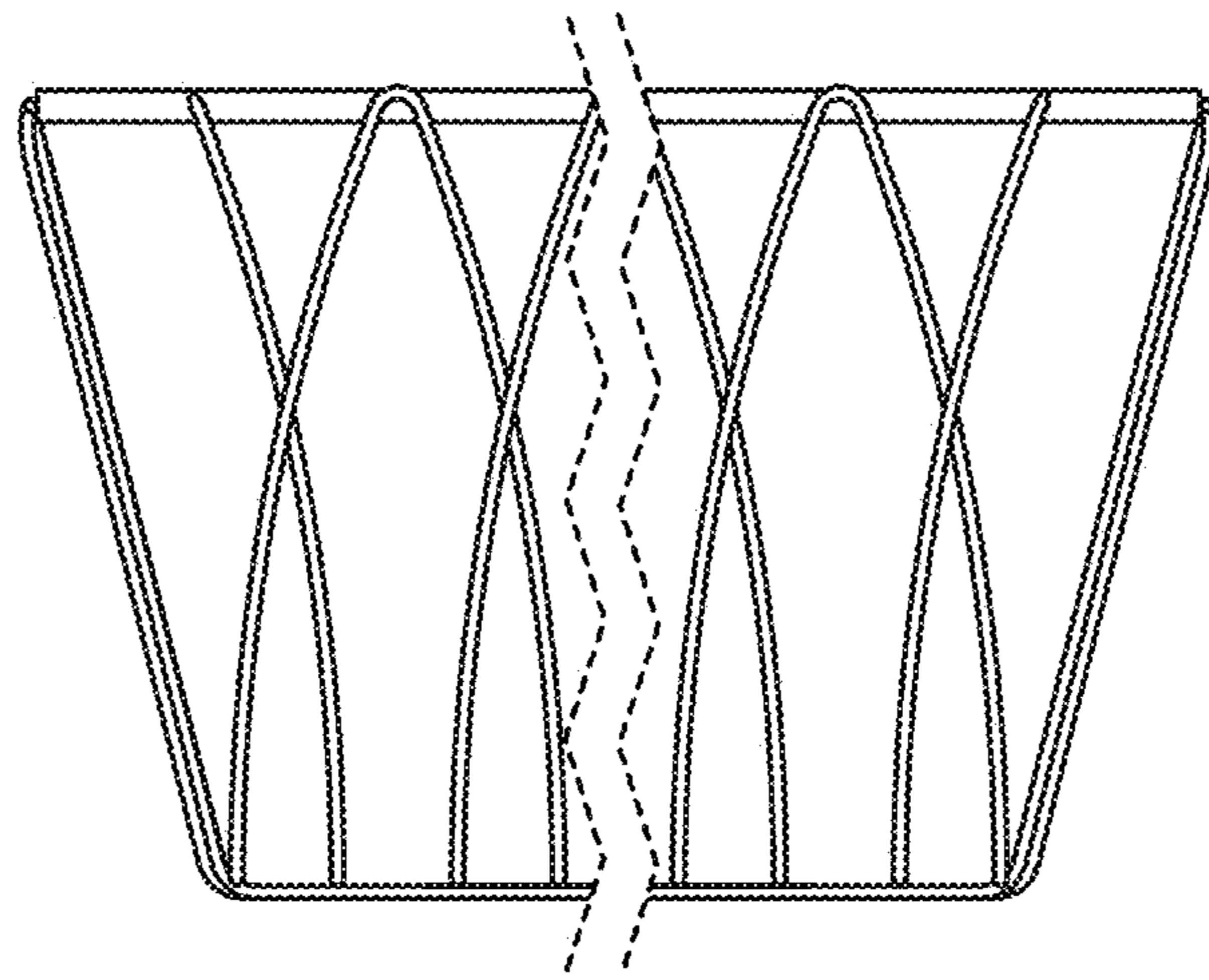


FIG. 5

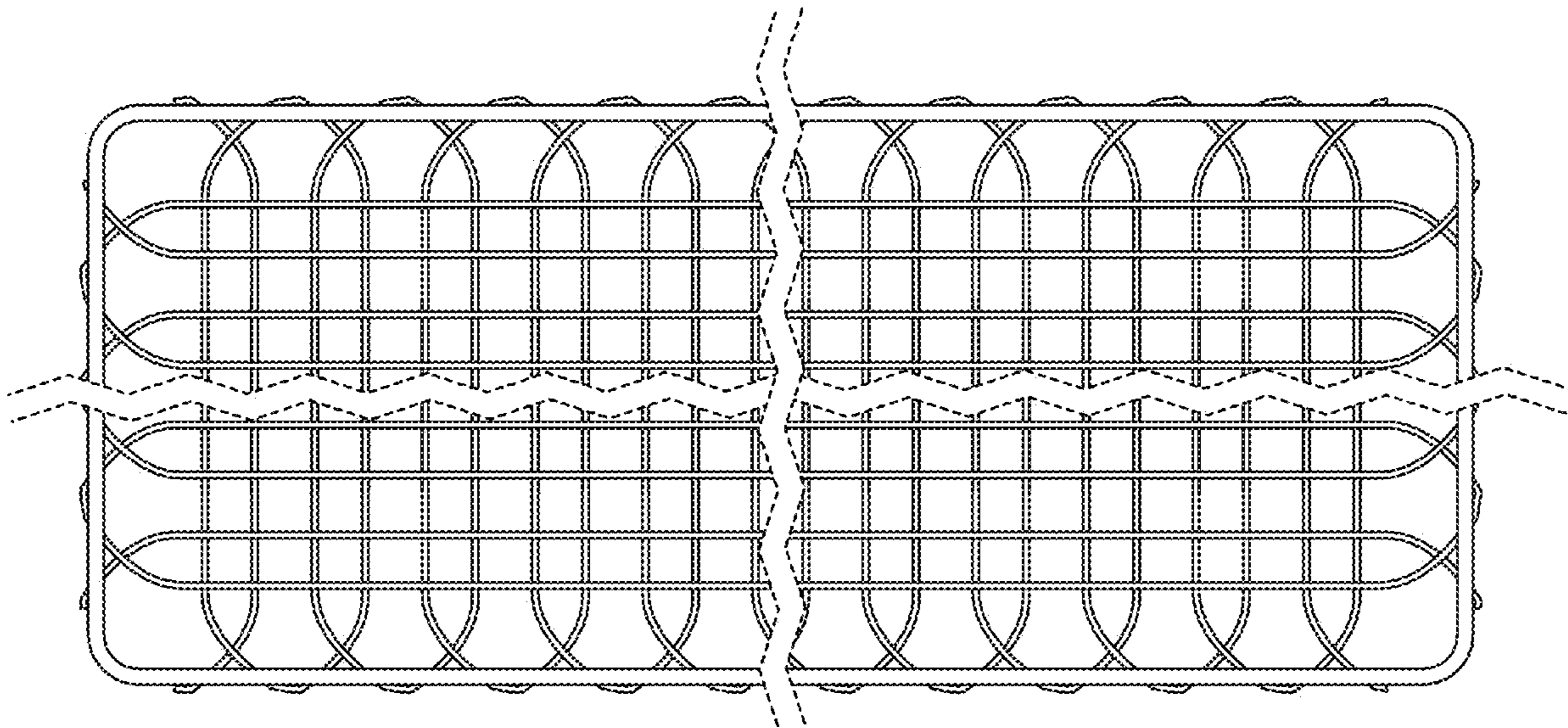


FIG. 6

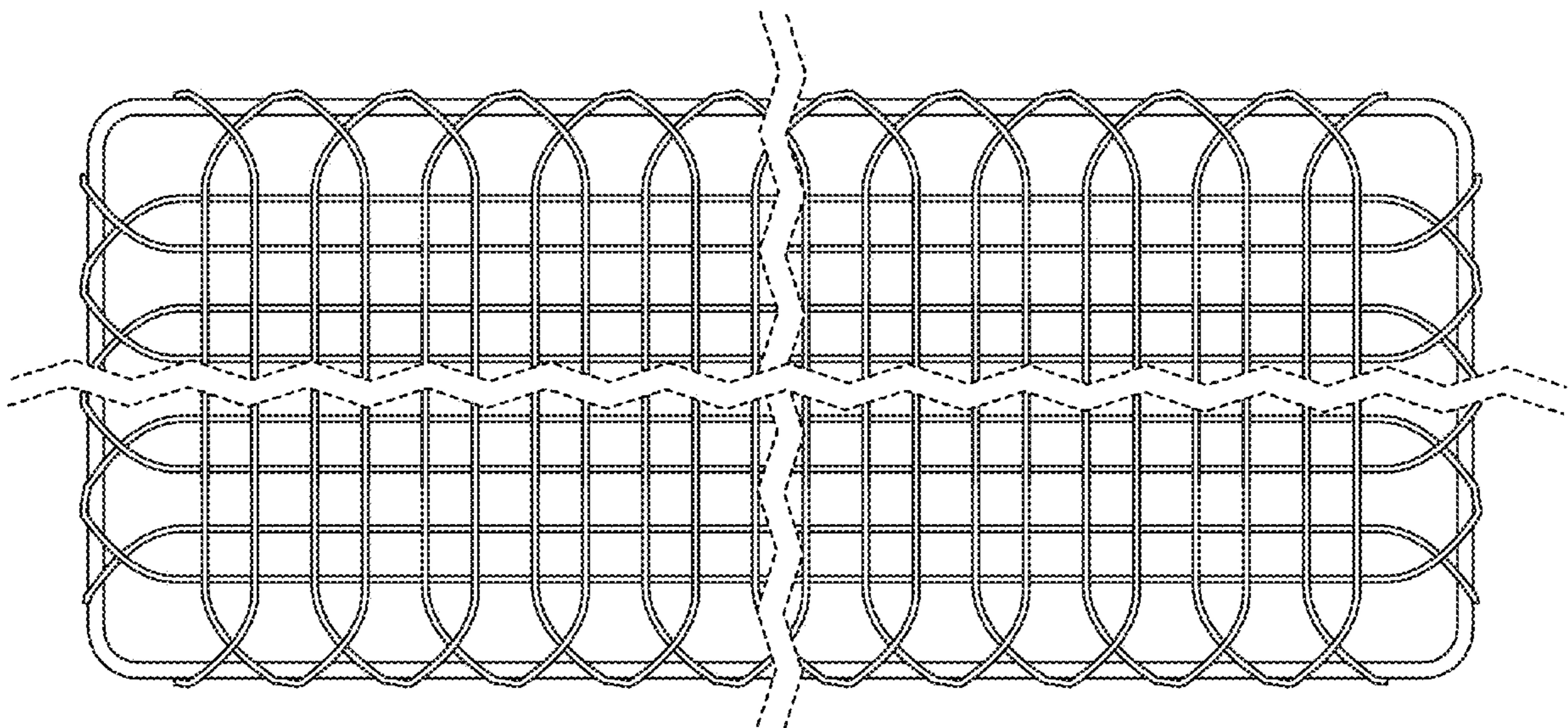


FIG. 7