



US00D891777S

(12) **United States Design Patent** (10) **Patent No.:** **US D891,777 S**
Newton (45) **Date of Patent:** **** Aug. 4, 2020**

- (54) **TRANSPORT TRAY**
- (71) Applicant: **William Charles Brian Newton**,
Greensboro, NC (US)
- (72) Inventor: **William Charles Brian Newton**,
Greensboro, NC (US)
- (**) Term: **15 Years**
- (21) Appl. No.: **29/621,341**
- (22) Filed: **Oct. 6, 2017**
- (51) **LOC (12) Cl.** **09-04**
- (52) **U.S. Cl.**
USPC **D3/304**
- (58) **Field of Classification Search**
USPC D3/304, 318, 319; D6/672, 675, 675.2,
D6/682.3, 683; D7/387, 388, 391, 392.1,
D7/396.1, 396.6, 403, 409, 511, 550.1,
D7/553.1, 553.2, 566, 568, 601, 602, 614,
D7/615, 629, 701, 703, 707, 708;
D9/414, 416, 424, 425, 426, 427, 428,
D9/430, 432, 433, 434, 435, 436, 456,
D9/601, 602, 701, 703, 707, 708, 715,
D9/721, 732, 736, 756, 761; D24/121,
D24/123, 124, 227, 228
CPC B65D 71/04; B65D 21/0212; B65D 21/0224;
B65D 1/36; B65D 71/70; B65D 75/5855;
B65D 43/16; B65D 43/18; B65D 65/42;
B65D 65/461; B65D 5/04; B65D 5/105;
B65D 5/5035; B65D 5/0004; B65D
5/4212; B65D 5/503; B65B 11/045;
B65B 31/028; B65B 11/52; E04F 19/02;
E05F 5/06; A47F 7/281; G04D 1/0021;
G04D 1/0071; G04D 1/066; A47J 37/10;
E04B 2001/7691; B32B 3/12
See application file for complete search history.

- 3,757,990 A 9/1973 Buth
 - D289,719 S * 5/1987 Daenen D7/392.1
 - D291,526 S * 8/1987 Heaney D7/354
 - 5,392,917 A 2/1995 Alpern et al.
 - D373,284 S * 9/1996 Hirst D7/354
 - D402,850 S * 12/1998 Davis D7/550.1
 - D462,231 S * 9/2002 Kari D7/354
 - 6,749,063 B2 6/2004 Parker
 - D530,921 S * 10/2006 Snell D3/304
 - D547,064 S * 7/2007 Snell D3/304
 - D555,904 S * 11/2007 Snell D3/304
 - D569,676 S * 5/2008 Millsap D7/354
 - D583,615 S * 12/2008 Simon D7/354
 - D588,396 S * 3/2009 Millsap D7/354
- (Continued)

FOREIGN PATENT DOCUMENTS

- EP 1 439 795 6/2006
 - WO WO 96/07364 3/1996
- (Continued)

Primary Examiner — Catherine S Posthauer
(74) *Attorney, Agent, or Firm* — Tuggle Duggins P.A.;
Blake P. Hurt

(57) **CLAIM**

The ornamental design for a transport tray, as shown and described.

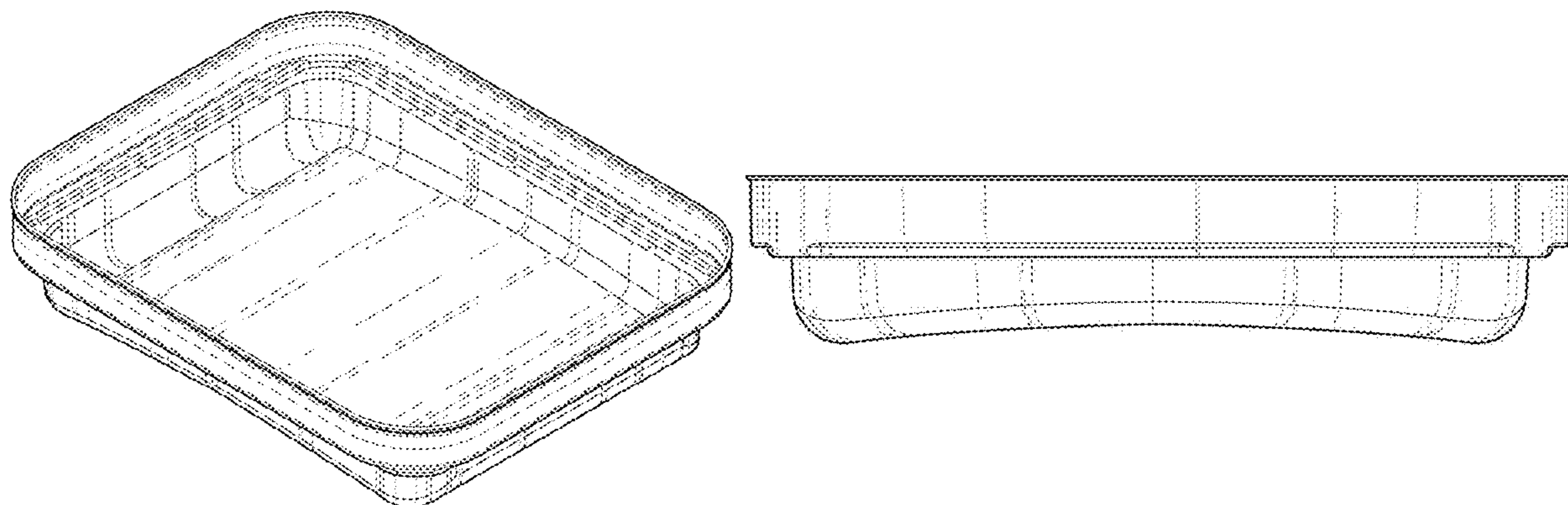
DESCRIPTION

FIG. 1 is a top, front, right side perspective view of a transport tray showing my new design;
FIG. 2 is a top plan view thereof;
FIG. 3 is a left side elevational view thereof, the right side elevational view being a mirror image thereof;
FIG. 4 is a rear elevational view thereof, the front elevational view being a mirror image thereof; and,
FIG. 5 is a bottom plan view thereof.

1 Claim, 5 Drawing Sheets

(56) **References Cited**
U.S. PATENT DOCUMENTS

- 1,717,974 A 6/1929 Heinrichs
- 3,157,902 A 11/1964 Hardwick



(56)

References Cited

U.S. PATENT DOCUMENTS

D612,723	S	*	3/2010	Bougoulas	D9/435
D653,496	S	*	2/2012	Henry	D7/354
D663,570	S	*	7/2012	Sarnoff	D7/354
D677,154	S	*	3/2013	Miller	D9/424
D686,498	S	*	7/2013	Rego	D9/456
D688,461	S	*	8/2013	Ambrefe, Jr.	D3/304
D708,951	S	*	7/2014	Studt	D9/456
D717,597	S	*	11/2014	Henry	D7/363
D731,230	S	*	6/2015	Librus	D7/354
D772,058	S	*	11/2016	Urushidani	D7/602
D772,059	S	*	11/2016	Urushidani	D7/602
D774,349	S	*	12/2016	Zemel	D7/354
D778,365	S	*	2/2017	Kott	D20/43
D784,067	S	*	4/2017	Keating	D7/354
D792,759	S	*	7/2017	Foster	D7/602
D802,970	S	*	11/2017	Henonin	D6/675
D809,848	S	*	2/2018	Mirchandani	D7/354
D817,072	S	*	5/2018	Mirchandani	D7/354
D820,629	S	*	6/2018	Lum	D7/354
D824,115	S	*	7/2018	Couse	D30/119
D829,545	S	*	10/2018	Thurin	D9/425
D834,314	S	*	11/2018	Nicoline	D3/304
D838,536	S	*	1/2019	Wilkinson	D7/354
2009/0123333	A1		5/2009	Parker et al.		
2011/0192744	A1		8/2011	Parker et al.		
2012/0074149	A1		3/2012	Roth		
2014/0131428	A1		5/2014	Balke		
2017/0334611	A1*		11/2017	Wu	A47G 19/02

FOREIGN PATENT DOCUMENTS

WO	WO 03/034936	5/2003
WO	2015166240	11/2015

* cited by examiner

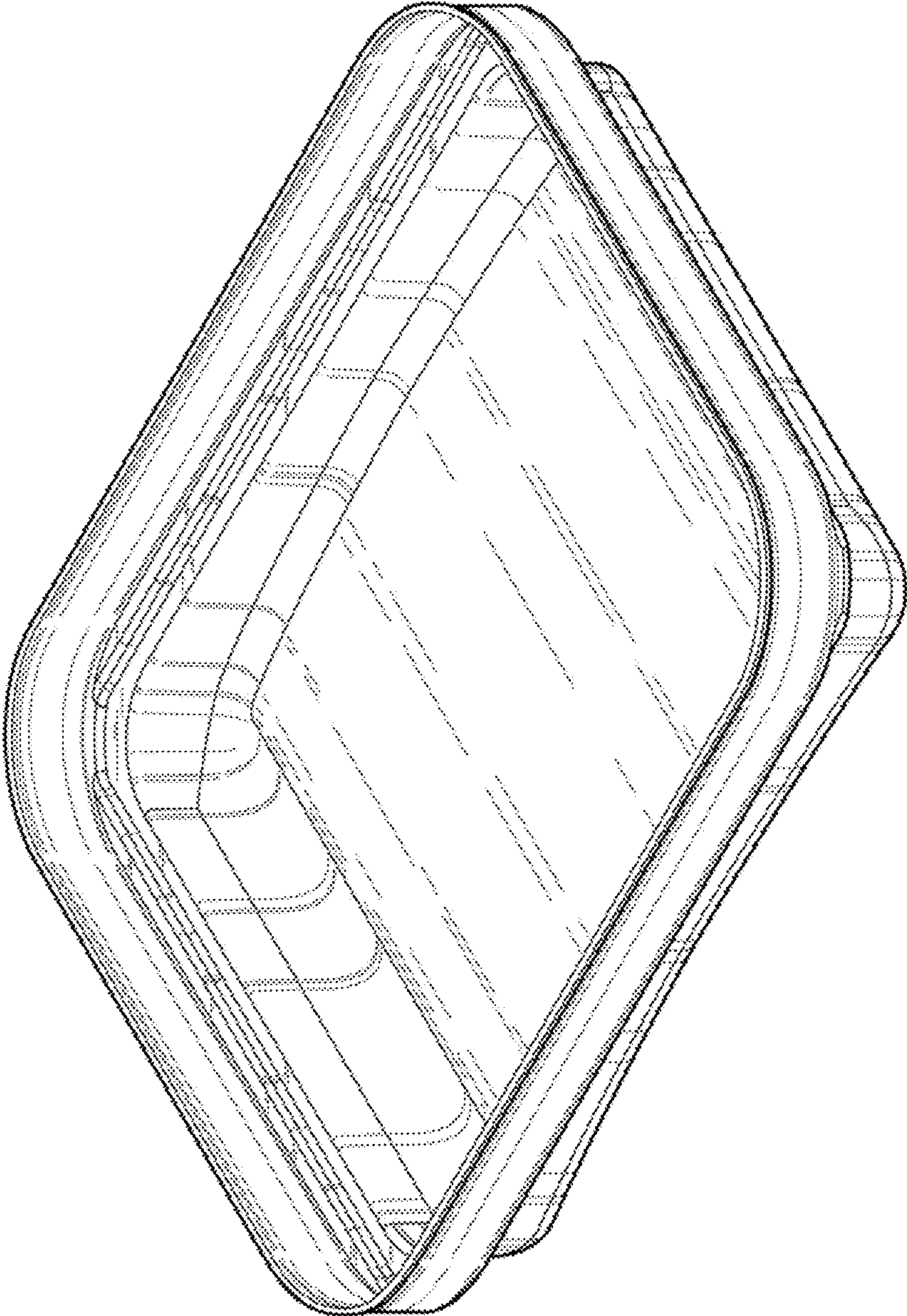


Fig. 1

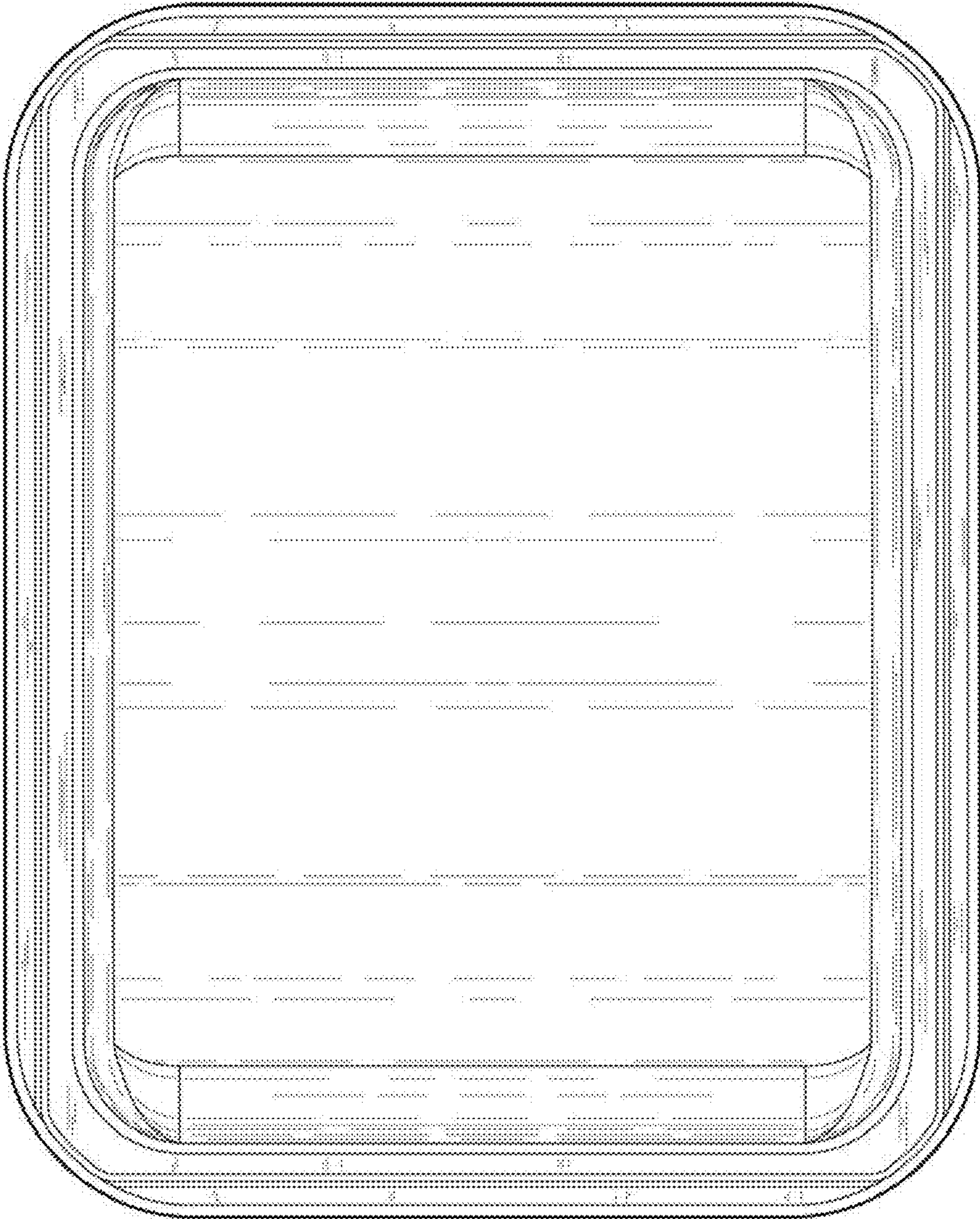


Fig. 2

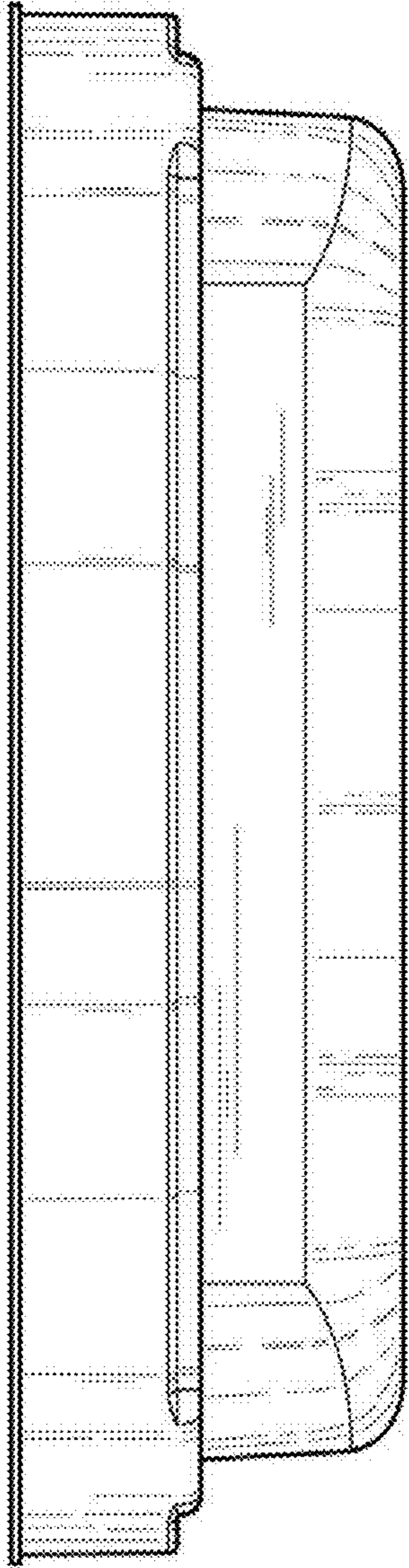


Fig. 3

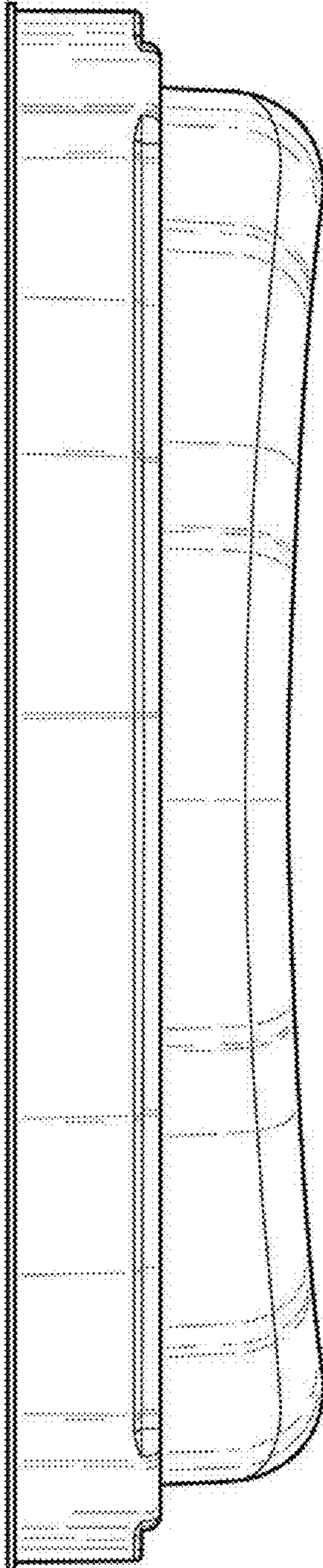


Fig. 4

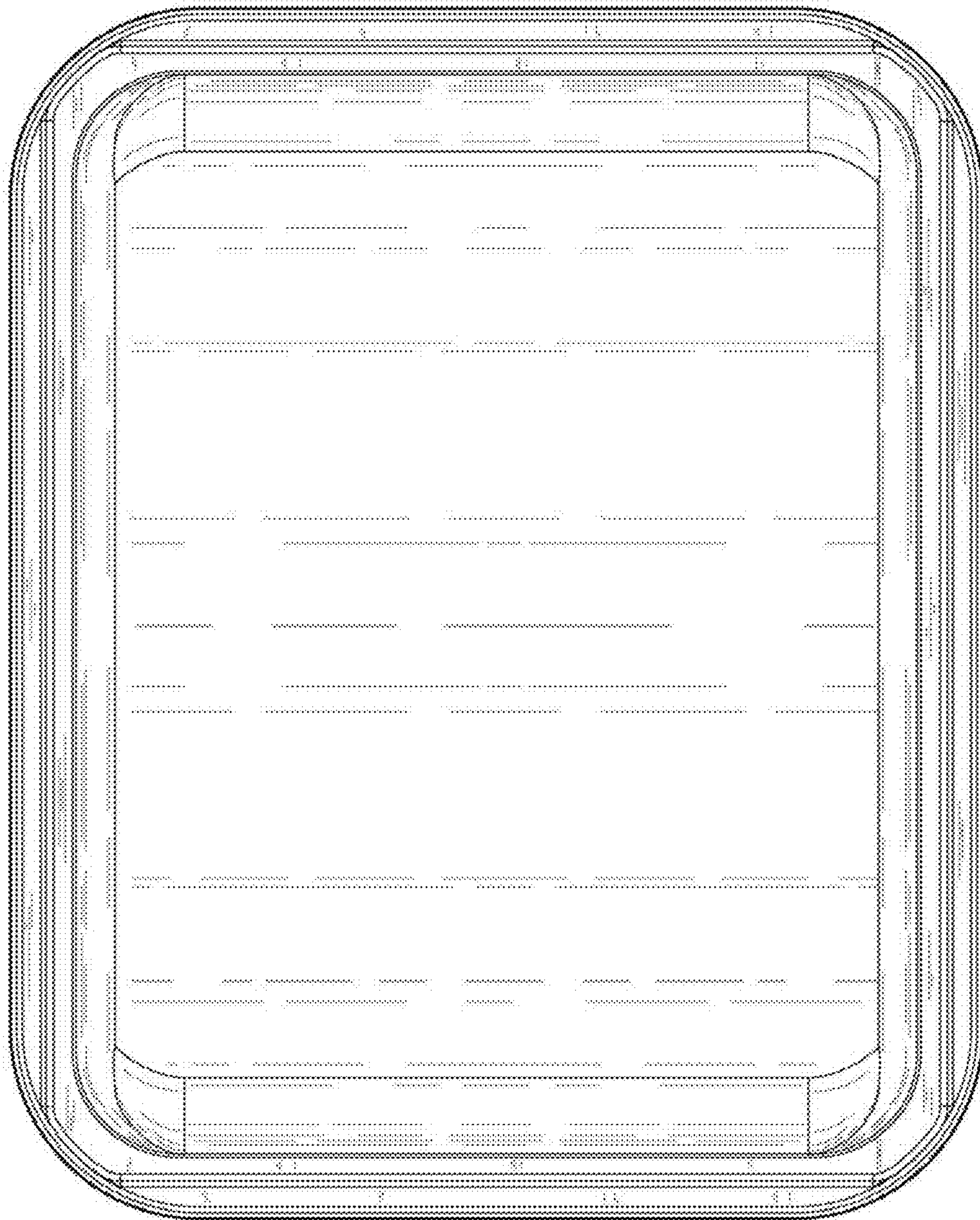


Fig. 5