



US00D891774S

(12) **United States Design Patent** (10) **Patent No.:** **US D891,774 S**
Yu (45) **Date of Patent:** **** Aug. 4, 2020**

(54) **EARPHONE COVER**
 (71) Applicant: **Shuntao Yu**, Daye, Hubei Province (CN)
 (72) Inventor: **Shuntao Yu**, Daye, Hubei Province (CN)
 (**) Term: **15 Years**

D672,642 S * 12/2012 Supranowicz D9/420
 D818,268 S * 5/2018 Akana D3/294
 D853,357 S 7/2019 Li
 D868,453 S * 12/2019 Lee D3/201
 D869,161 S * 12/2019 Zhong D3/294
 D881,572 S * 4/2020 Wang D3/294
 D882,259 S * 4/2020 Liu D3/269
 D883,296 S * 5/2020 Lee D14/440
 D886,445 S * 6/2020 Hyun D3/201
 D886,453 S * 6/2020 Wright D3/294
 2020/0068285 A1 * 2/2020 Dang H04R 1/1025

(21) Appl. No.: **29/731,113**
 (22) Filed: **Apr. 12, 2020**
 (51) **LOC (12) Cl.** **03-01**
 (52) **U.S. Cl.**
 USPC **D3/294**; D14/440; D14/217
 (58) **Field of Classification Search**
 USPC D3/218, 201, 294, 207-212; D14/217,
 D14/440, 447, 203.3, 203.5, 203.6, 203.7,
 D14/203.8, 248, 250-253, 432, 434, 450,
 D14/456; 206/45.23, 320, 45.2, 438, 806;
 361/679.55; D9/420; D13/102-109, 111,
 D13/118-119, 184, 199
 CPC A45C 2011/001; A45C 2011/002; A45C
 2011/003; H04R 1/1016; H04R 1/105;
 B65D 2585/6835; G06F 1/1626; A47B
 23/044; H02J 7/0068
 See application file for complete search history.

* cited by examiner

Primary Examiner — Catherine R Oliver-Garcia
 (74) *Attorney, Agent, or Firm* — ZANIP

(57) **CLAIM**

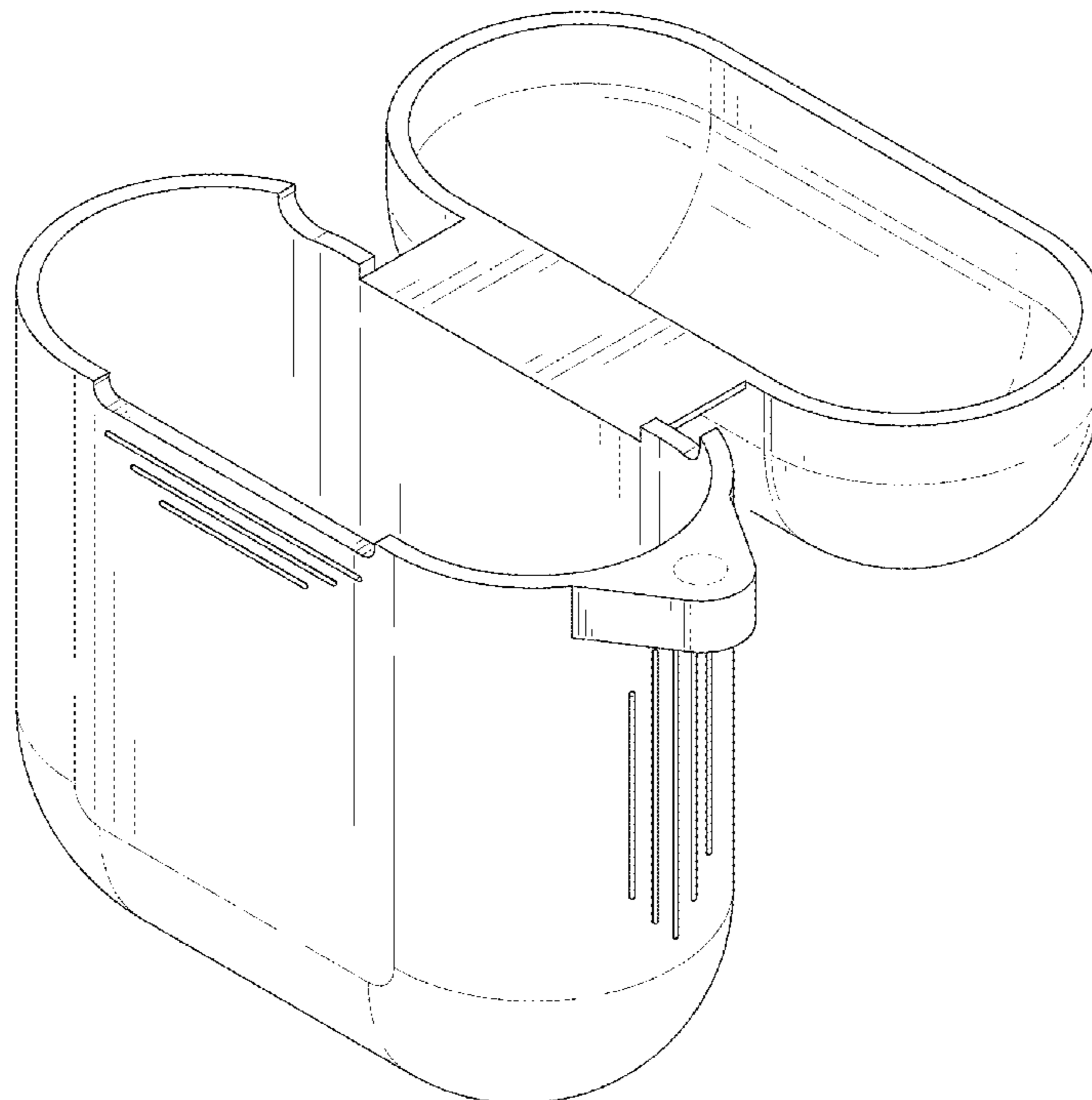
The ornamental design for an earphone cover, as shown and described.

DESCRIPTION

FIG. 1 is a front and top perspective view of an earphone cover, showing my new design;
 FIG. 2 is a rear and bottom perspective view thereof;
 FIG. 3 is a rear and top perspective view thereof;
 FIG. 4 is a front elevational view thereof;
 FIG. 5 is a rear elevational view thereof;
 FIG. 6 is a left side elevational view thereof;
 FIG. 7 is a right side elevational view thereof;
 FIG. 8 is a top plan view thereof;
 FIG. 9 is a bottom plan view thereof; and,
 FIG. 10 is a perspective view thereof, showing the earphone cover in a closed position.
 The broken lines in the figures illustrate portions of the article that form no part of the claimed design.

(56) **References Cited**
 U.S. PATENT DOCUMENTS
 1,809,696 A * 6/1931 Heilweil A45C 11/22
 206/37
 5,806,678 A * 9/1998 Håkansson A45F 5/02
 206/37

1 Claim, 10 Drawing Sheets



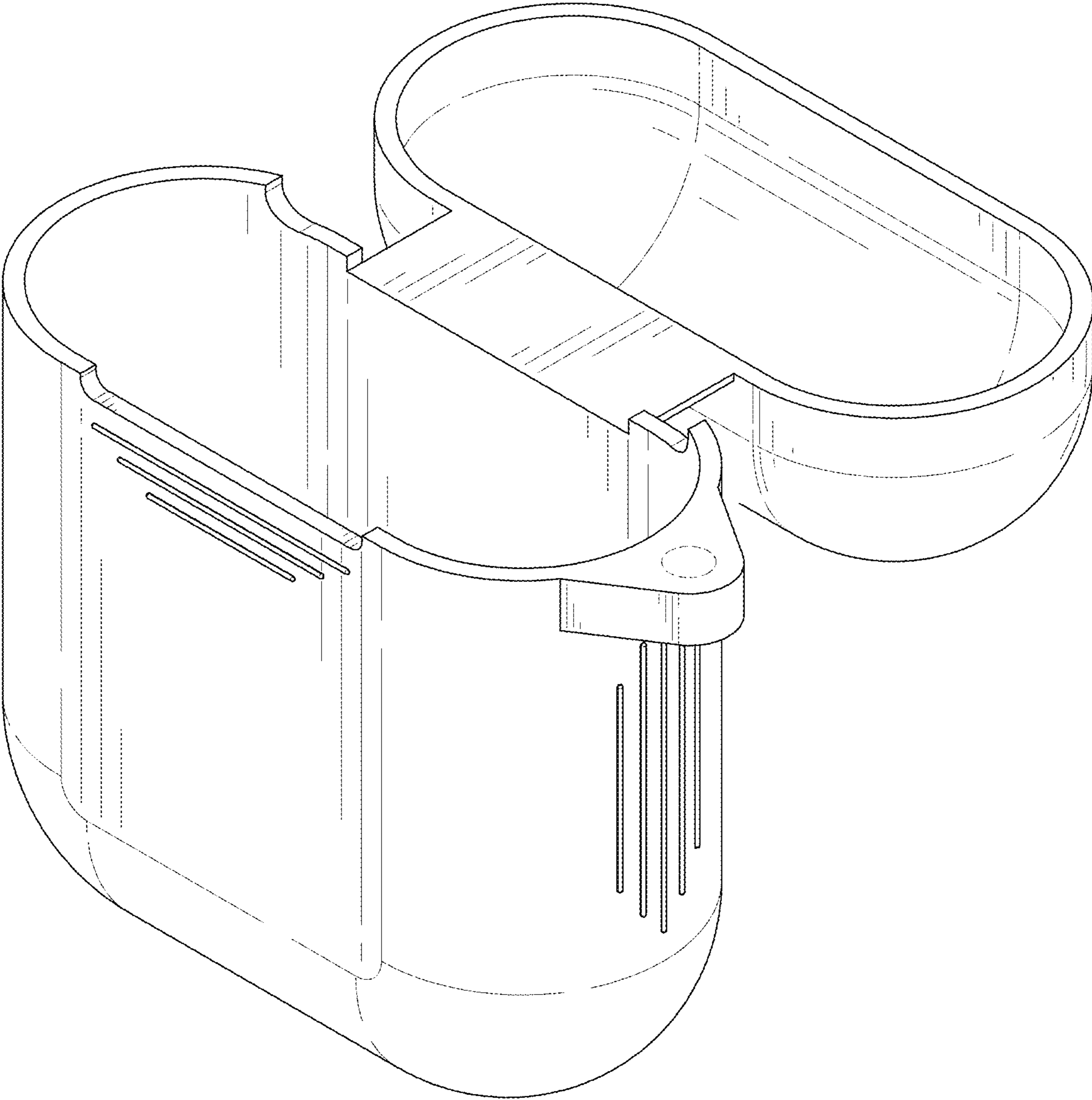


FIG. 1

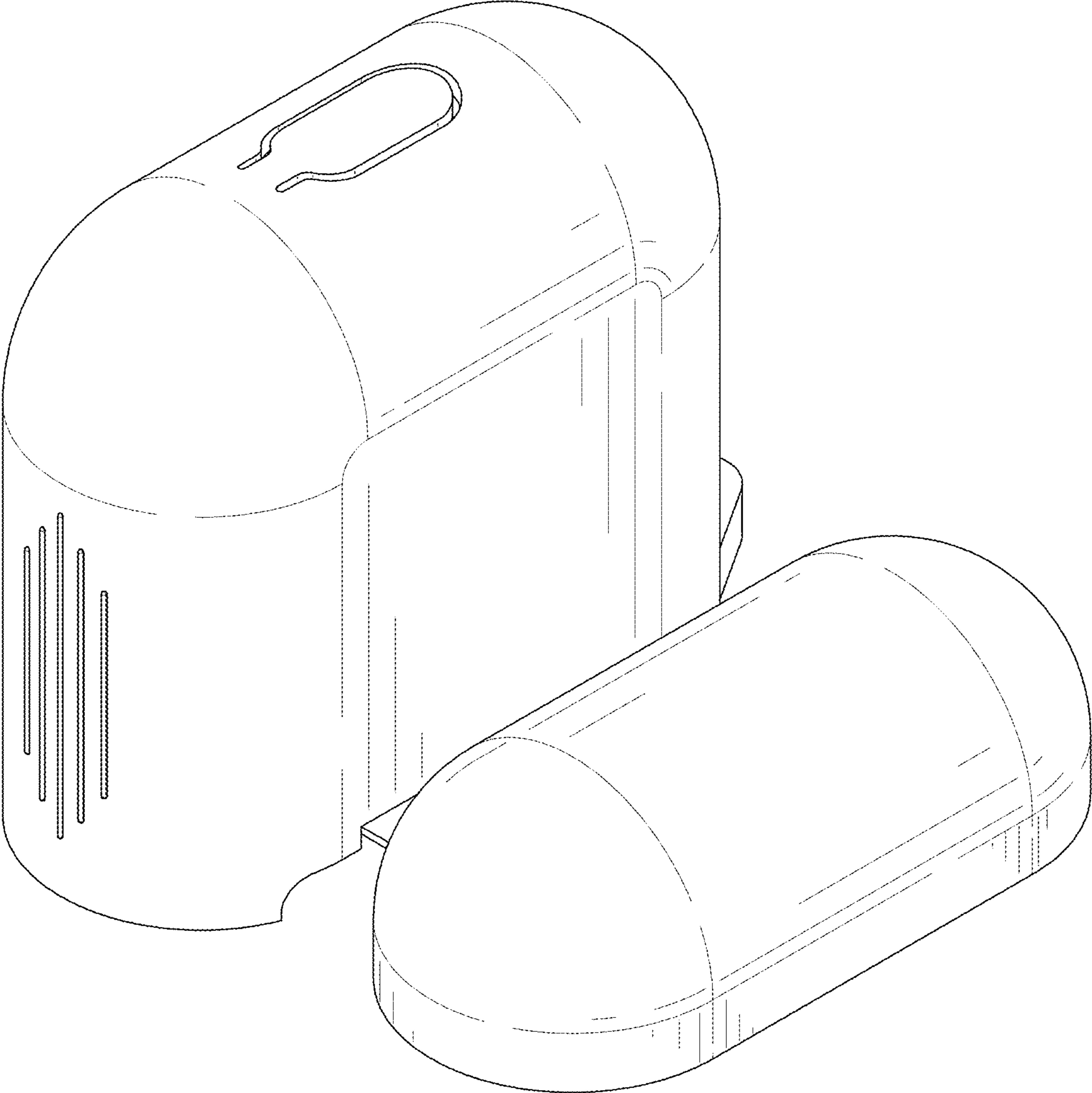


FIG. 2

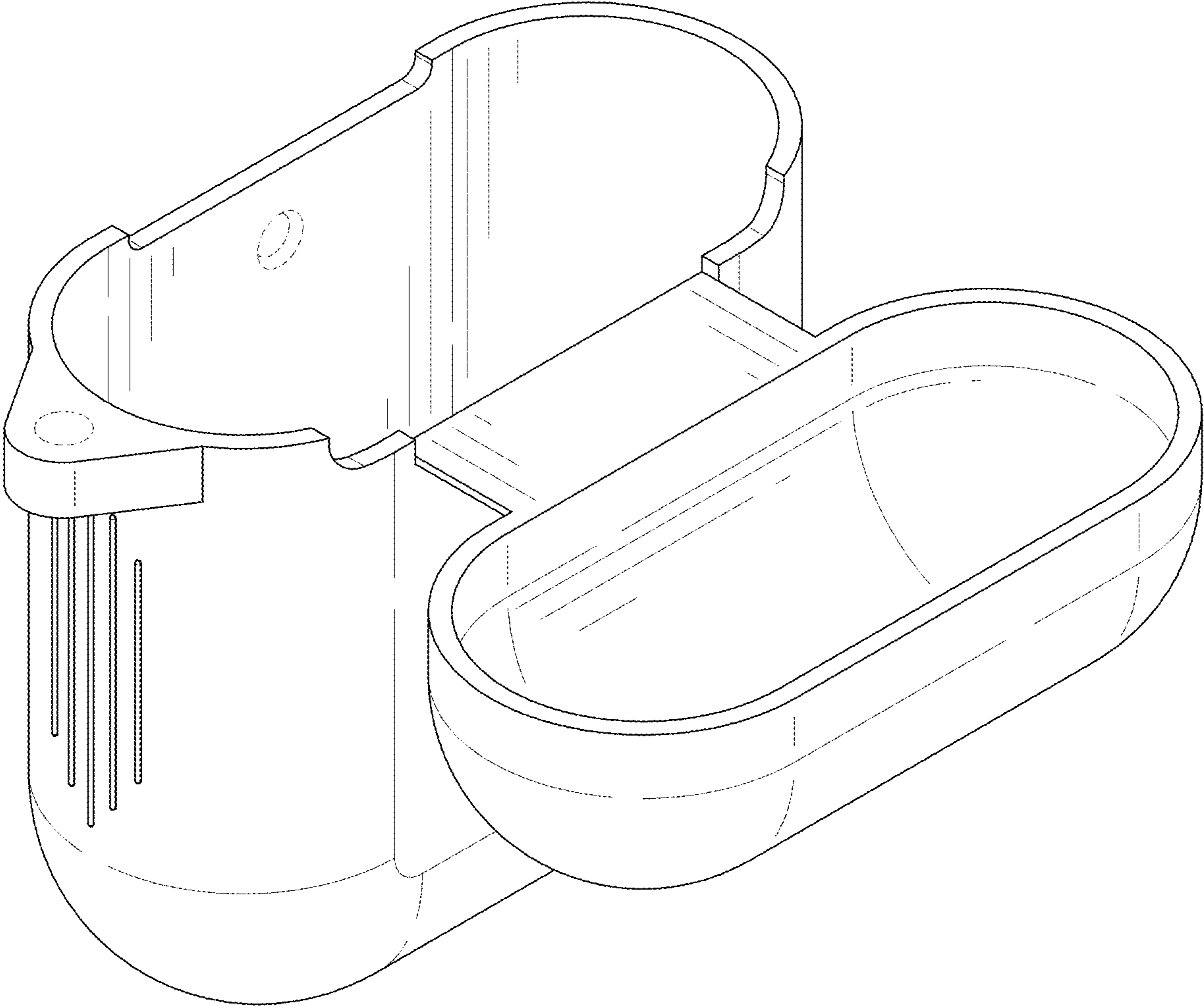


FIG. 3

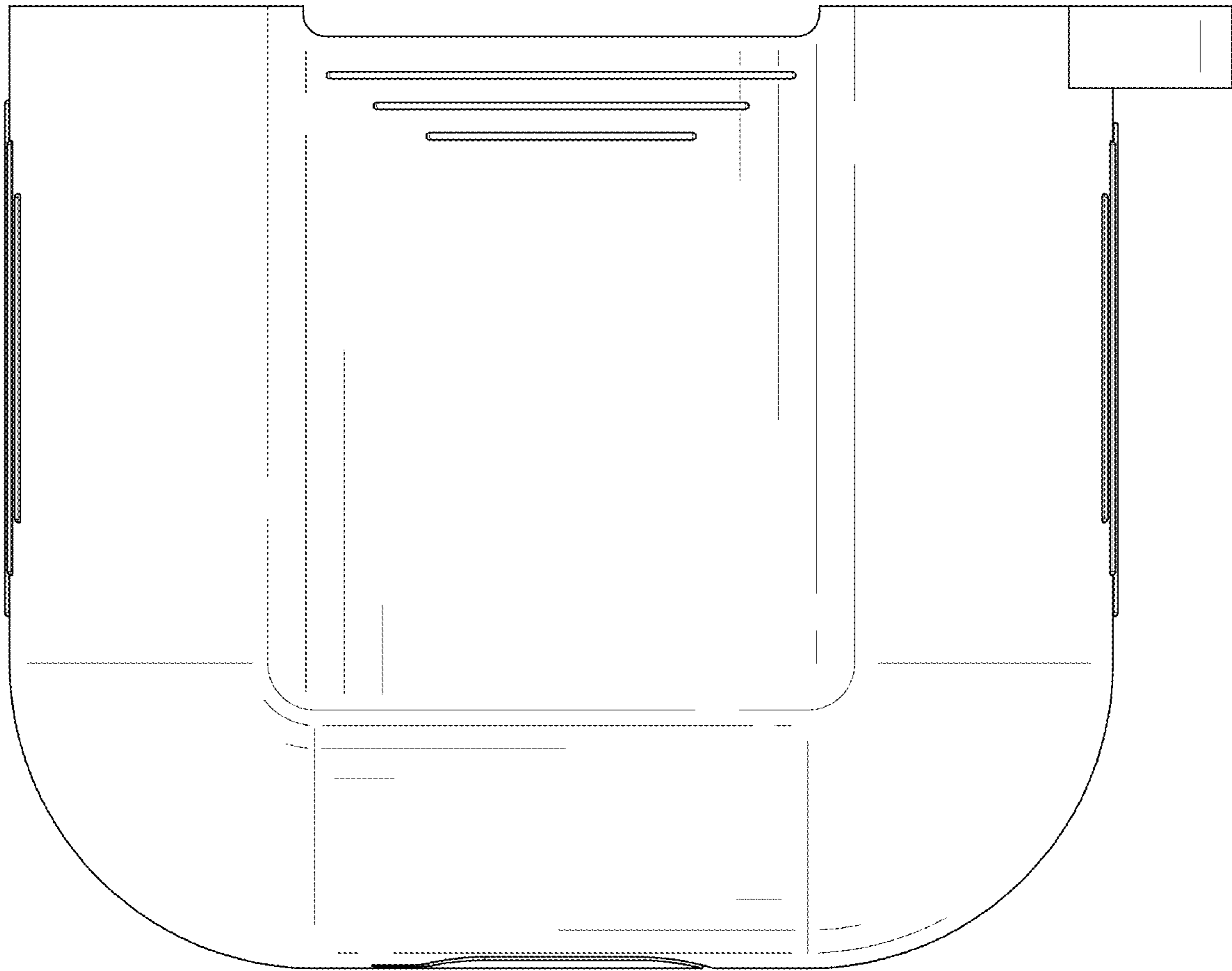


FIG. 4

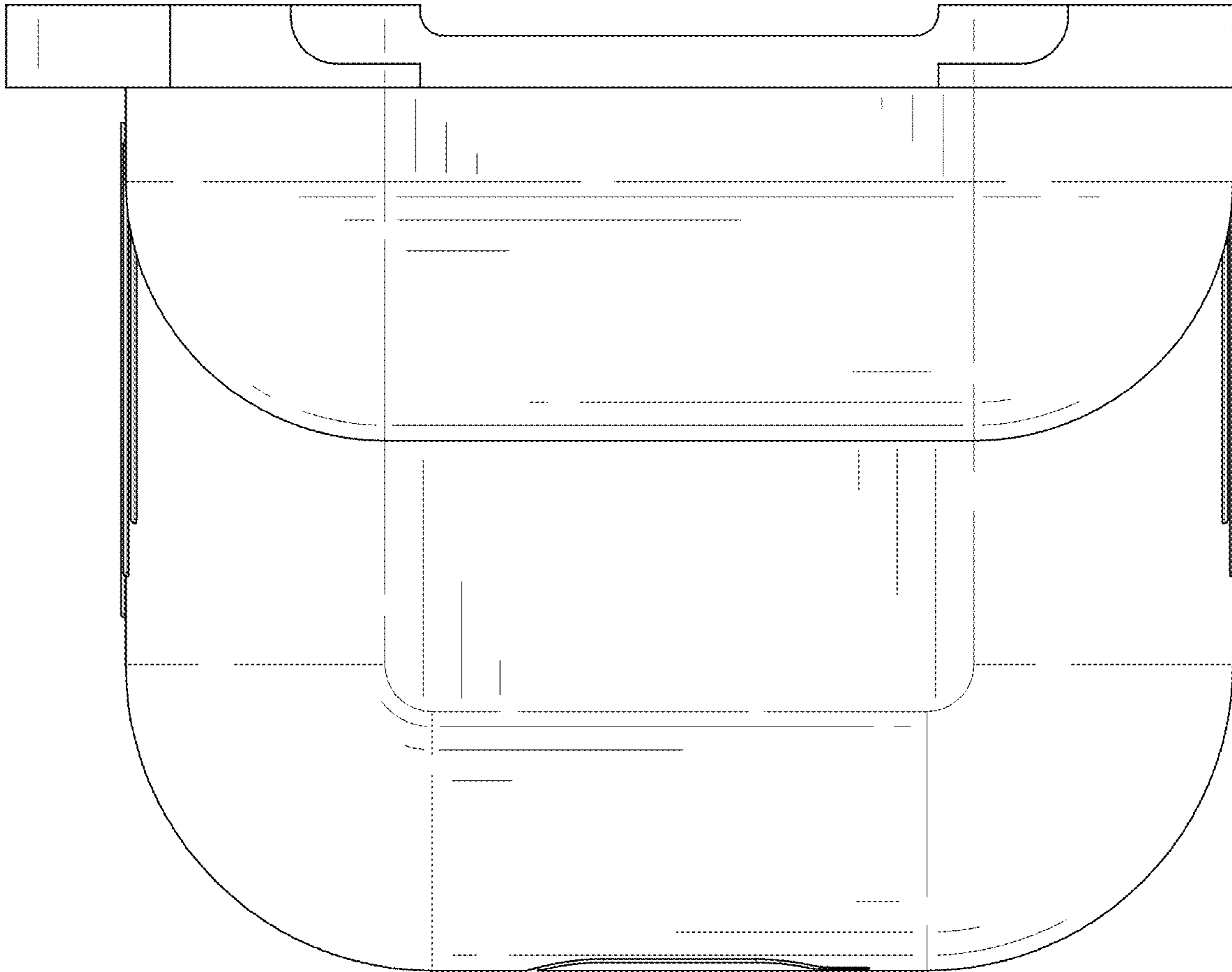


FIG. 5

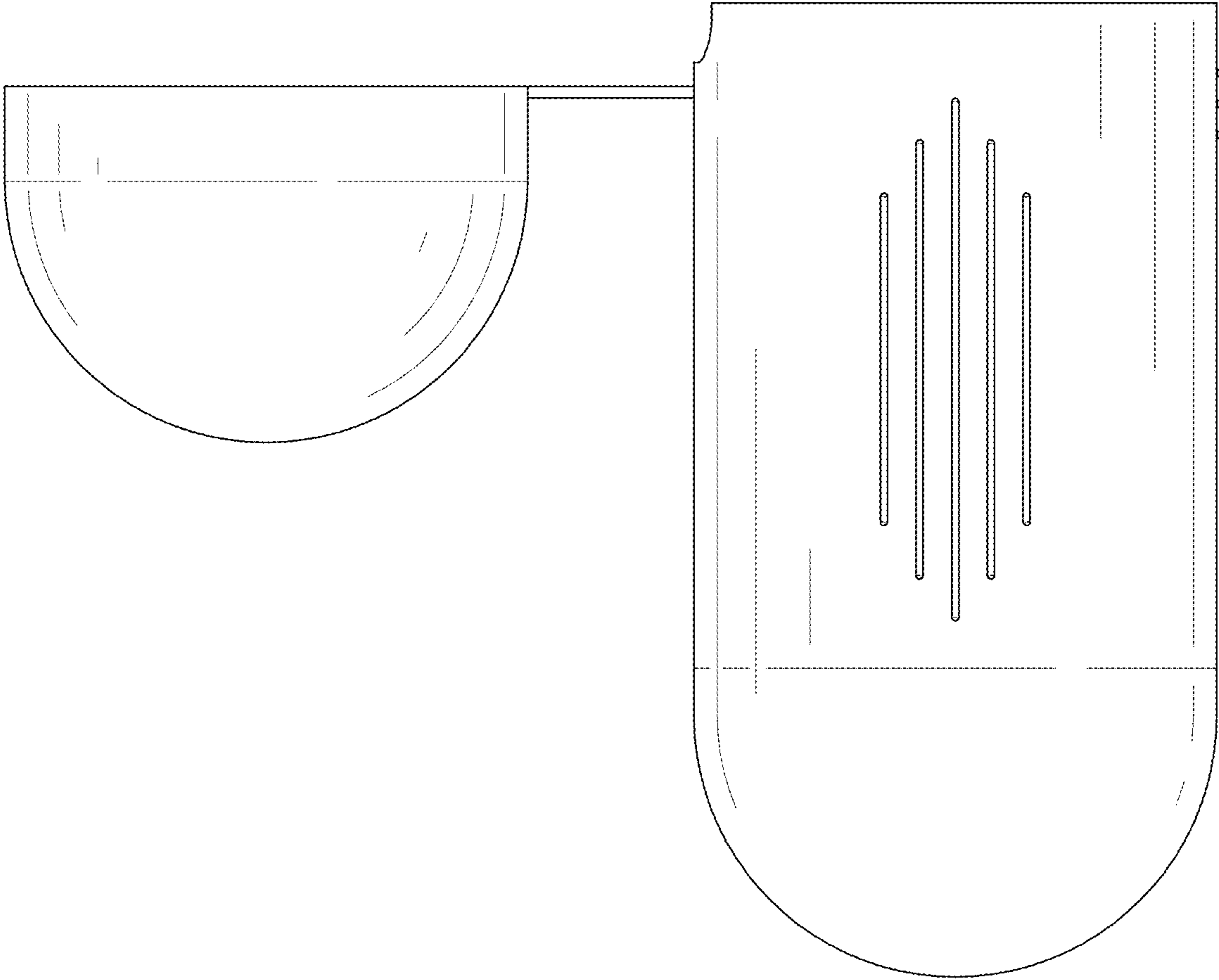


FIG. 6

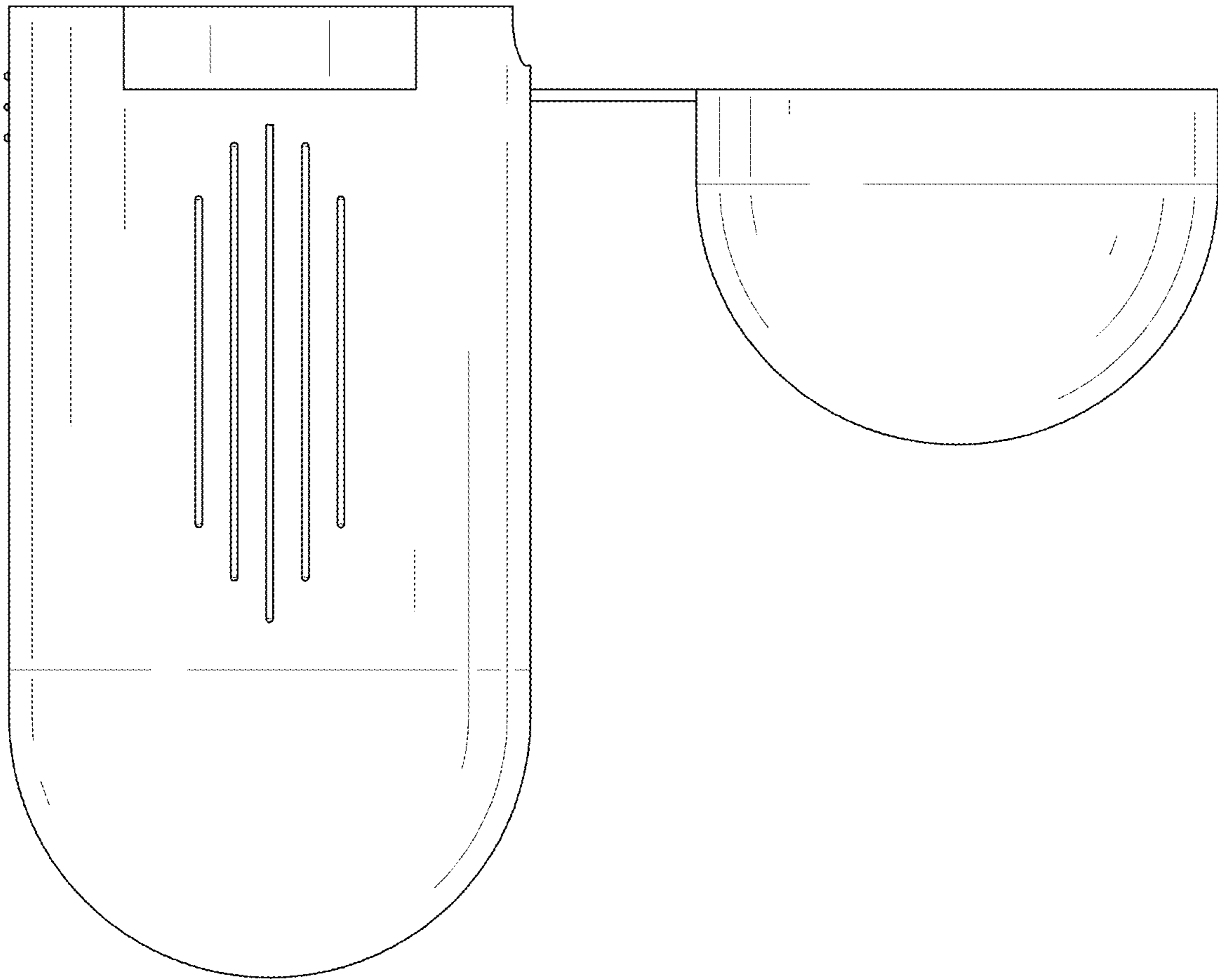


FIG. 7

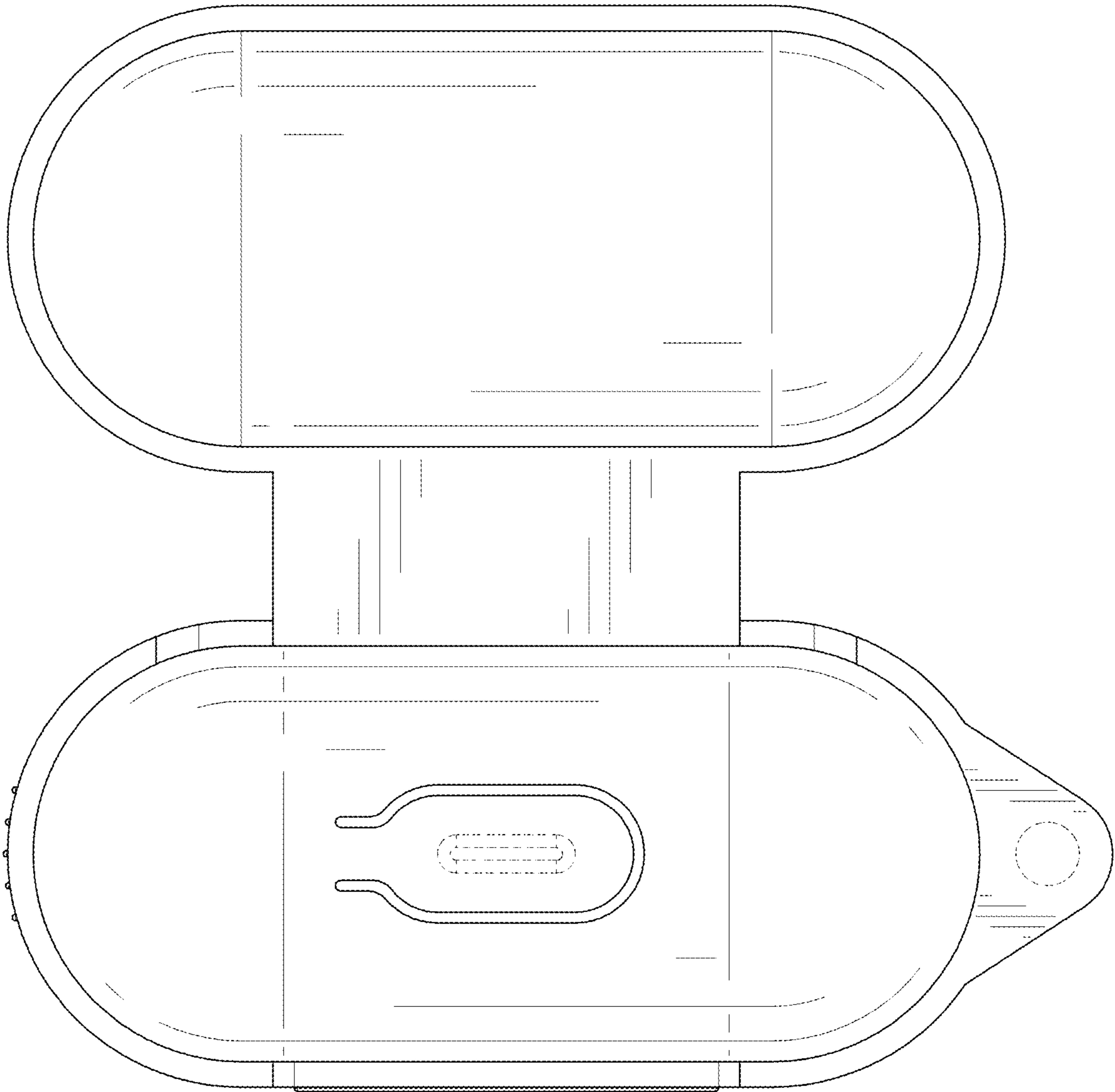


FIG. 8

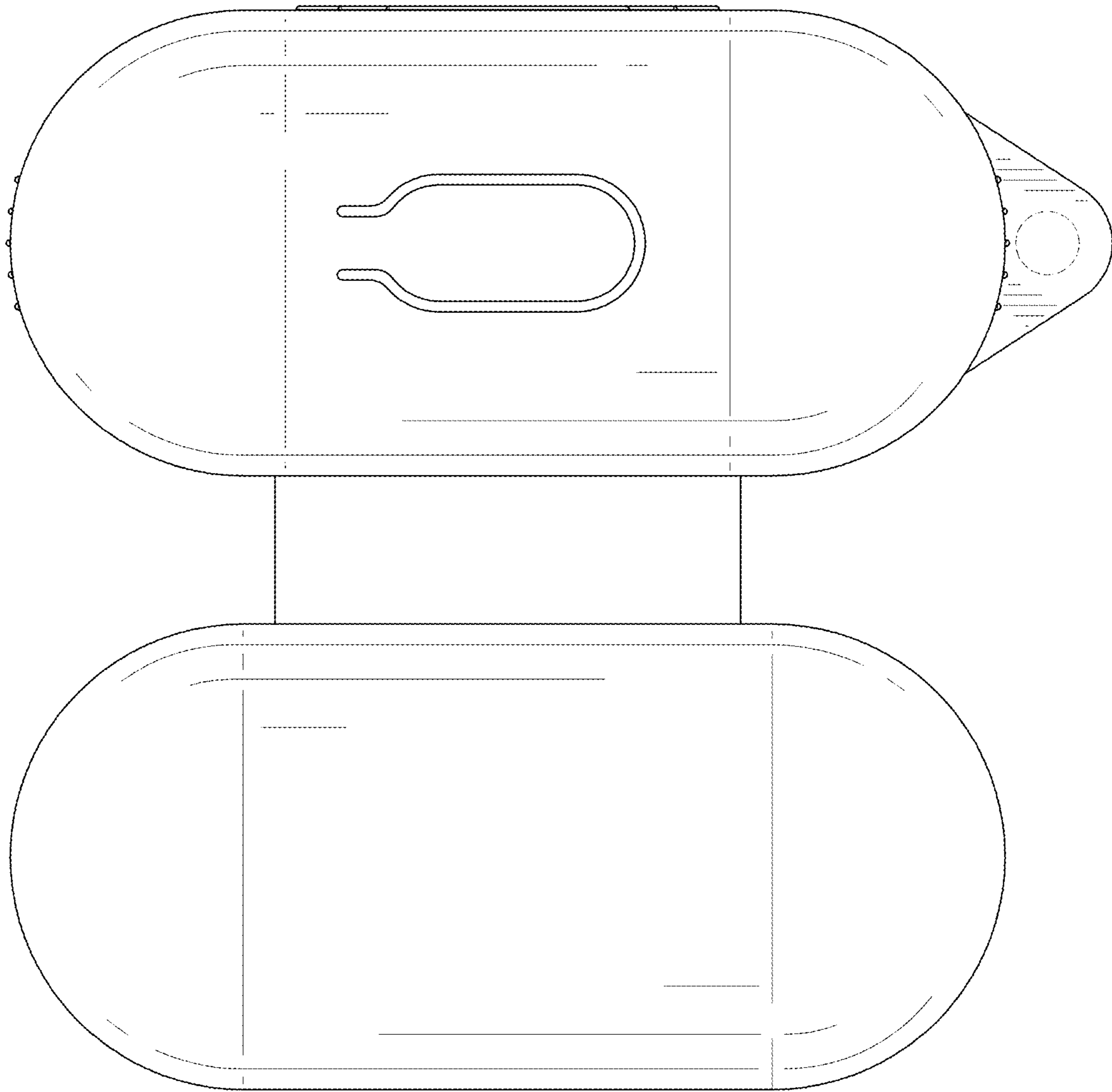


FIG. 9

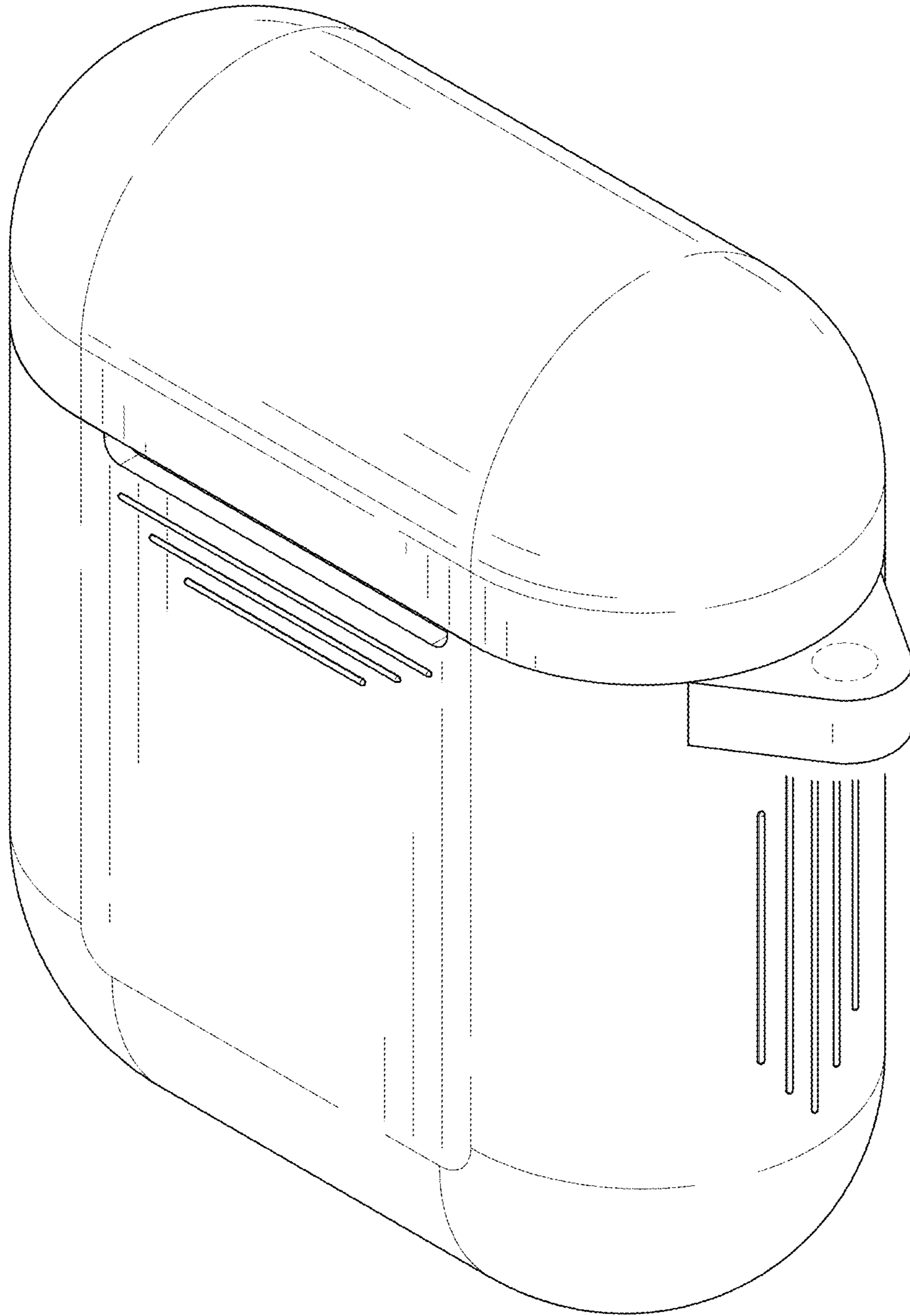


FIG. 10