



US00D891773S

(12) **United States Design Patent** (10) **Patent No.:** **US D891,773 S**  
**Meyer** (45) **Date of Patent:** **\*\* Aug. 4, 2020**

(54) **ELECTRONICS CASE**  
(71) Applicant: **Harman International Industries, Incorporated, Northridge, CA (US)**  
(72) Inventor: **Anna Grace Meyer, Hannibal, MO (US)**  
(73) Assignee: **Harman International Industries, Incorporated, Northridge, CA (US)**

(\*\*) Term: **15 Years**  
(21) Appl. No.: **29/641,044**  
(22) Filed: **Mar. 19, 2018**  
(51) **LOC (12) Cl.** ..... **03-01**  
(52) **U.S. Cl.**  
USPC ..... **D3/294**  
(58) **Field of Classification Search**  
USPC ..... D3/203.1, 204, 205, 218, 273-274, 276, D3/283, 284, 294-298, 315, 901, 903; D9/414, 418, 420, 430, 432; D27/186, D27/187, 189, 190, 191; D28/9, 73, 76, D28/78, 82, 91; D6/659, 663, 667, D6/671.1; D14/188, 204, 209.1  
CPC ..... A45C 11/00; A45C 2011/00  
See application file for complete search history.

D766,214 S 9/2016 Mackiewicz et al.  
D806,389 S \* 1/2018 Muhlenkamp, IV ..... D3/295  
D816,994 S 5/2018 Fischer et al.  
D824,365 S \* 7/2018 Vogt, Jr. .... D14/214  
D839,583 S \* 2/2019 Cao ..... D3/201  
D839,920 S 2/2019 Demin et al.  
2008/0250739 A1\* 10/2008 Krupinski ..... B65D 1/22  
52/309.4  
2016/0105050 A1\* 4/2016 Chan ..... H02J 7/0044  
320/114

**OTHER PUBLICATIONS**

Design U.S. Appl. No. 29/674,907, filed Dec. 27, 2018.  
Design U.S. Appl. No. 29/688,606, filed Apr. 23, 2019.  
Design U.S. Appl. No. 29/695,337, filed Jun. 18, 2019.

\* cited by examiner

*Primary Examiner* — Lilyana Bekic  
*Assistant Examiner* — Mary Shannon Malley  
(74) *Attorney, Agent, or Firm* — Plumsea Law Group, LLC

(57) **CLAIM**

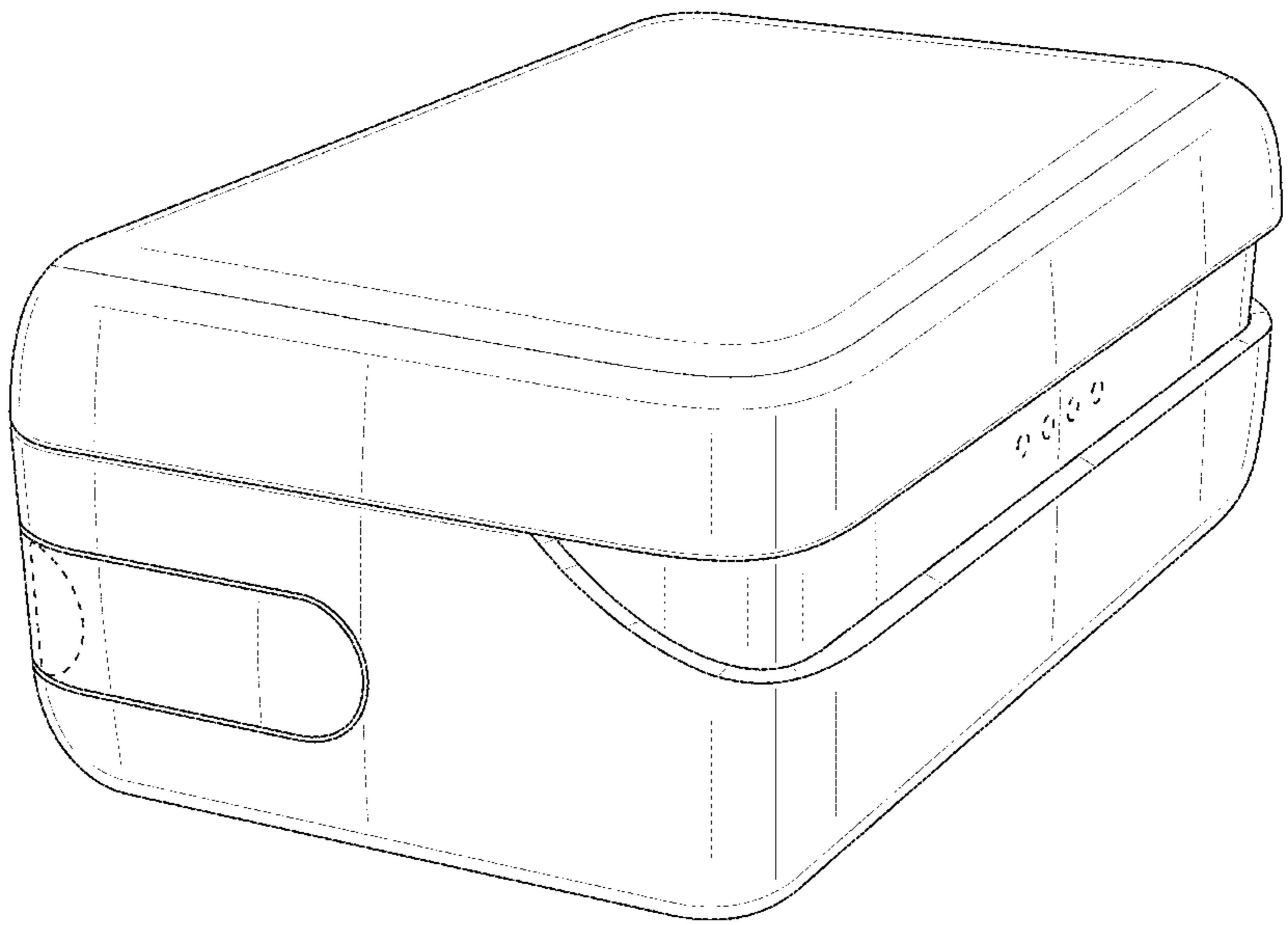
The ornamental design for an electronics case, as shown and described.

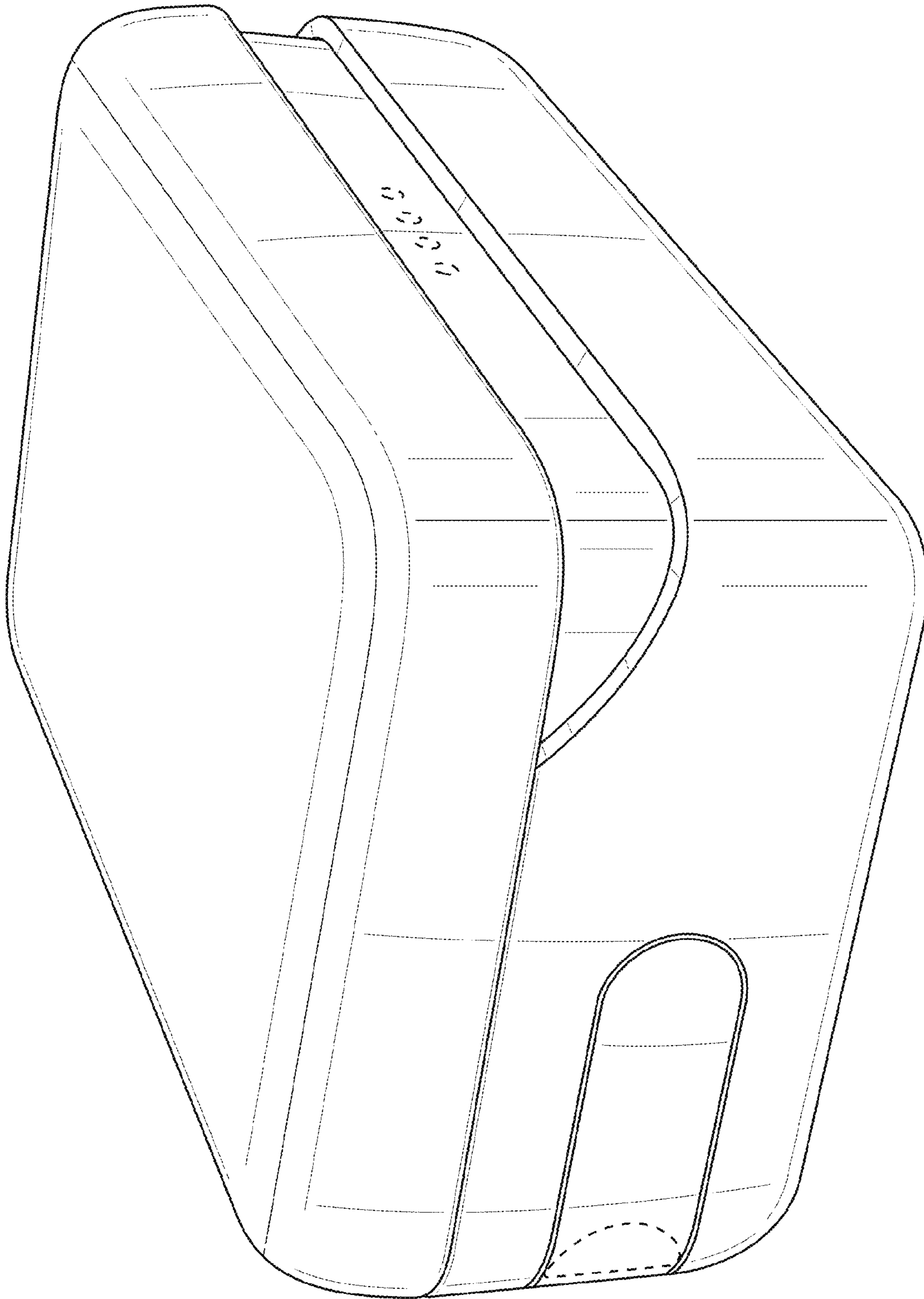
**DESCRIPTION**

FIG. 1 is a top perspective view of an electronics case showing the new design;  
FIG. 2 is a bottom perspective view thereof;  
FIG. 3 is a front elevational view thereof;  
FIG. 4 is a rear elevational view thereof;  
FIG. 5 is a side elevational view thereof;  
FIG. 6 is an opposite side elevational view thereof;  
FIG. 7 is a top plan view thereof; and,  
FIG. 8 is a bottom plan view thereof.  
The broken lines illustrate portions of the electronics case that form no part of the claimed design.

(56) **References Cited**  
**U.S. PATENT DOCUMENTS**  
D397,869 S \* 9/1998 Minhas ..... D3/274  
D527,182 S \* 8/2006 Ham ..... D3/274  
D566,395 S \* 4/2008 Langer ..... D3/294  
D569,103 S \* 5/2008 Hoge ..... D3/273  
D584,700 S 1/2009 Urry et al.  
D592,398 S \* 5/2009 Roesler ..... D3/294  
D624,316 S \* 9/2010 Ferber ..... D3/294  
D675,434 S \* 2/2013 Vernall ..... D3/294  
D710,824 S 8/2014 Mackiewicz et al.  
D754,092 S \* 4/2016 Mackiewicz ..... D14/172

**1 Claim, 8 Drawing Sheets**





**FIG. 1**

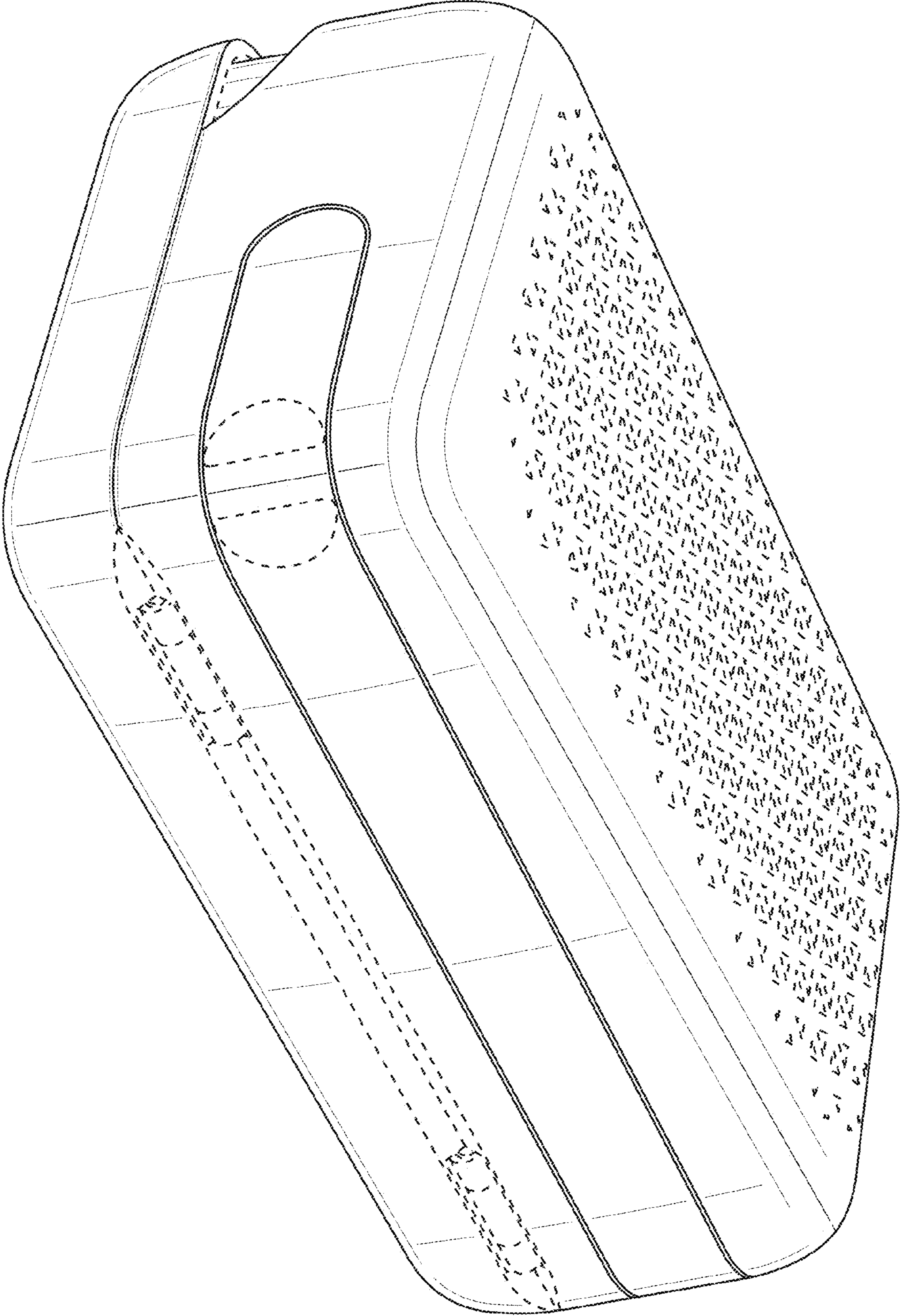
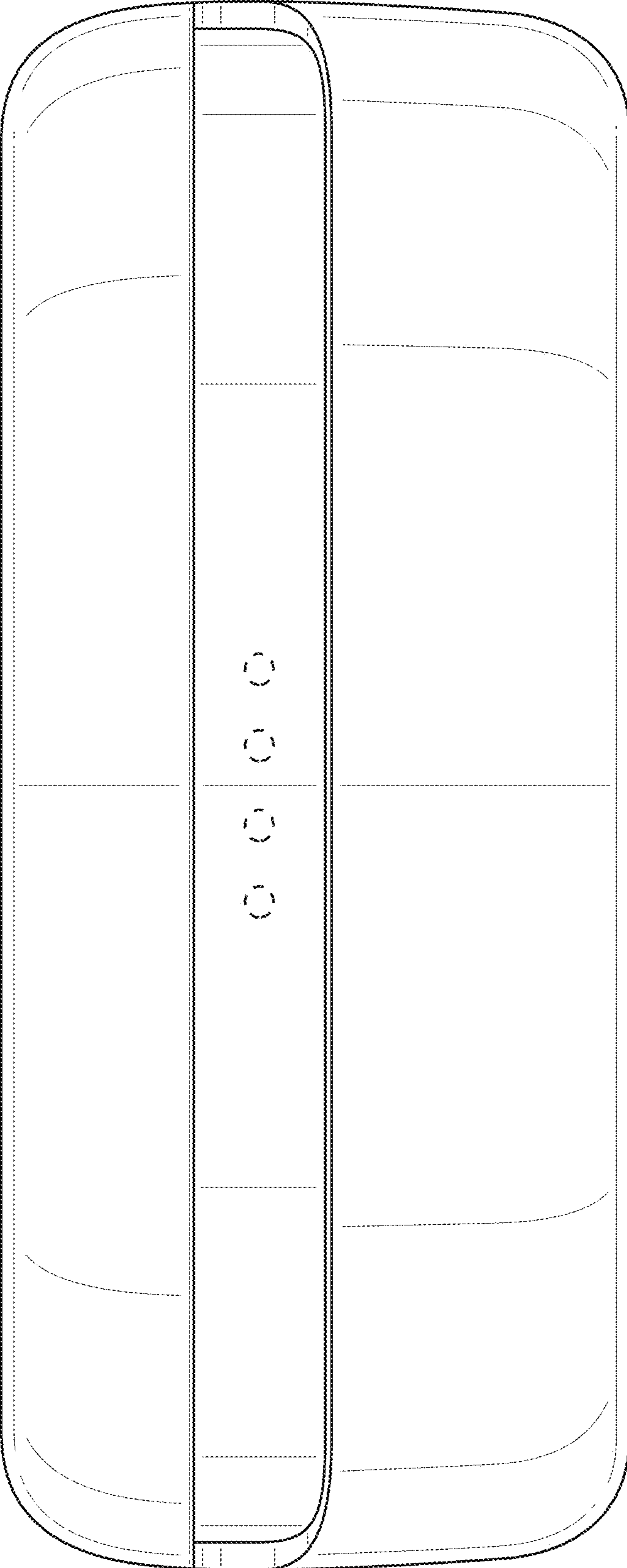
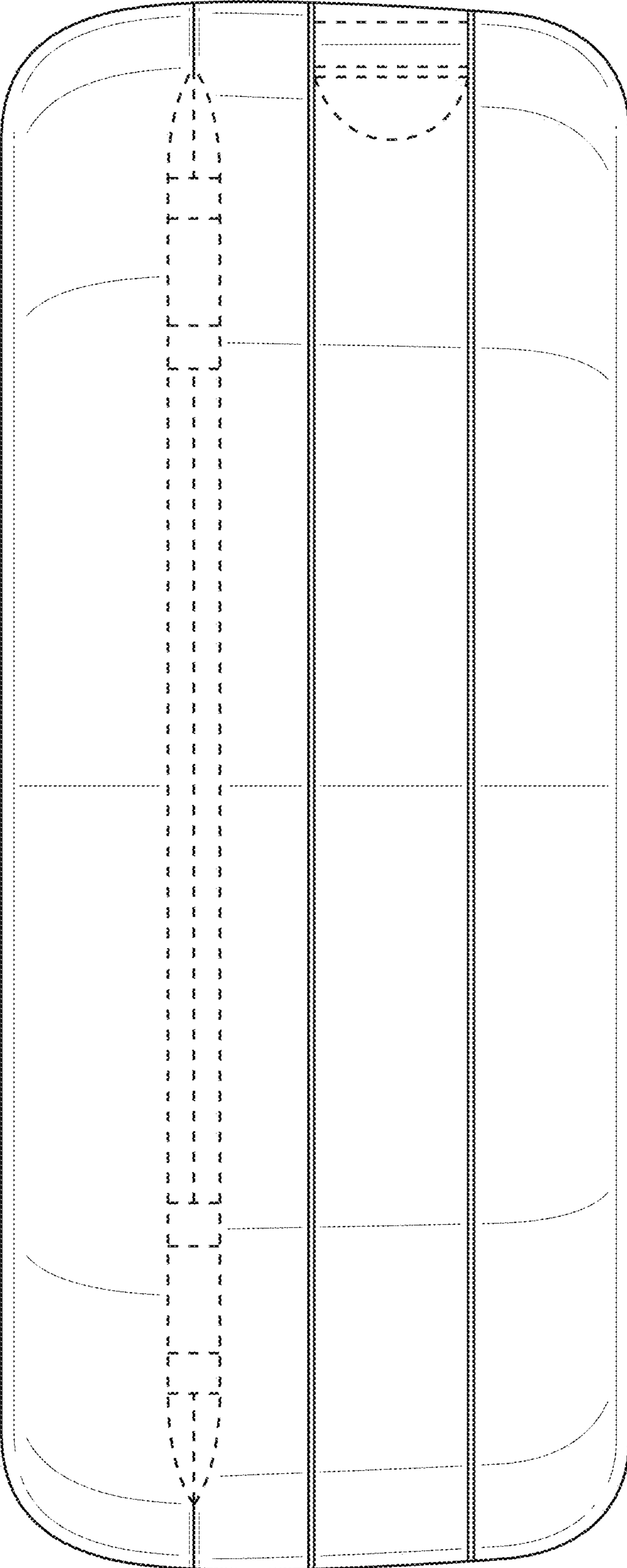


FIG. 2

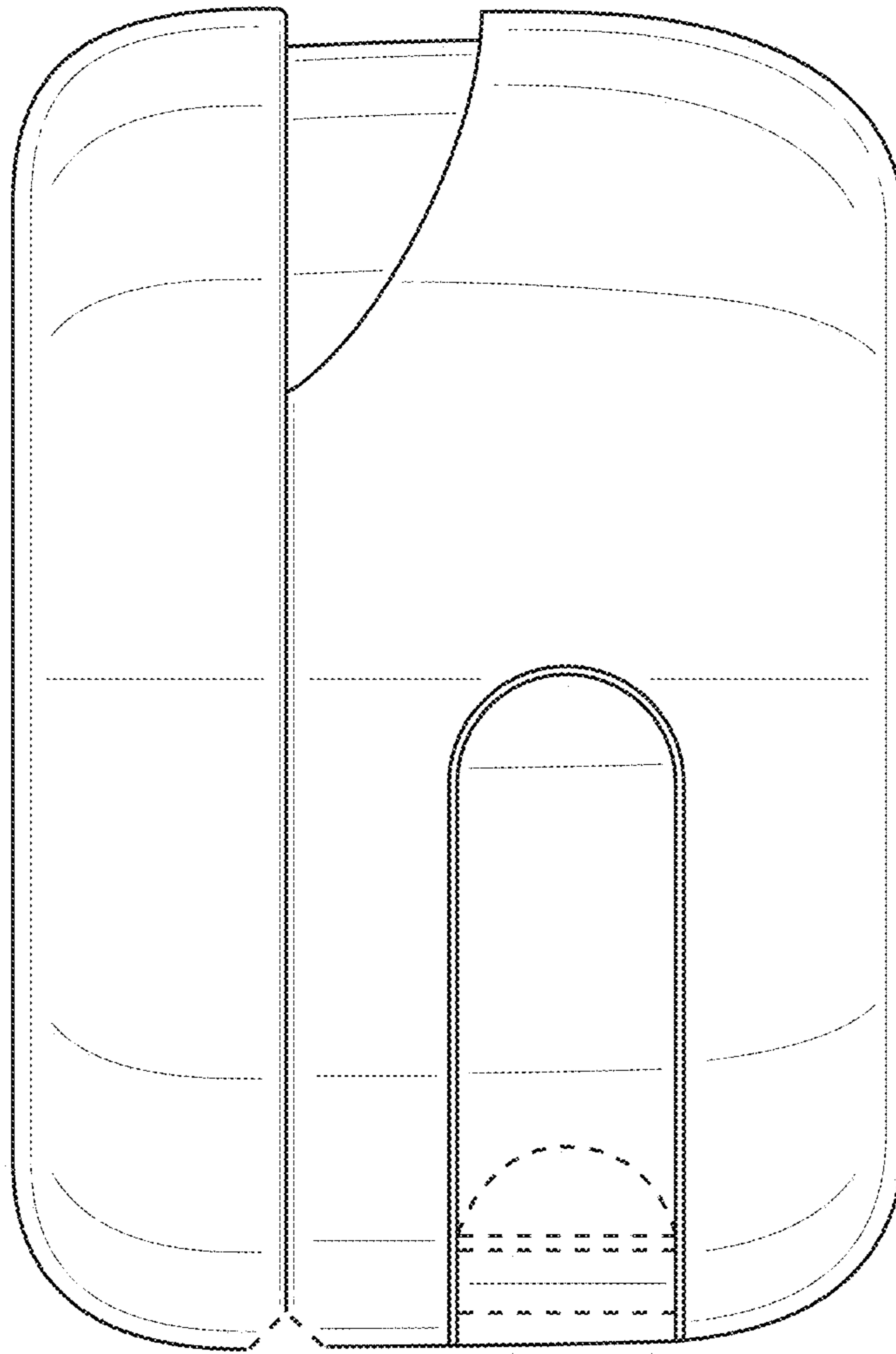




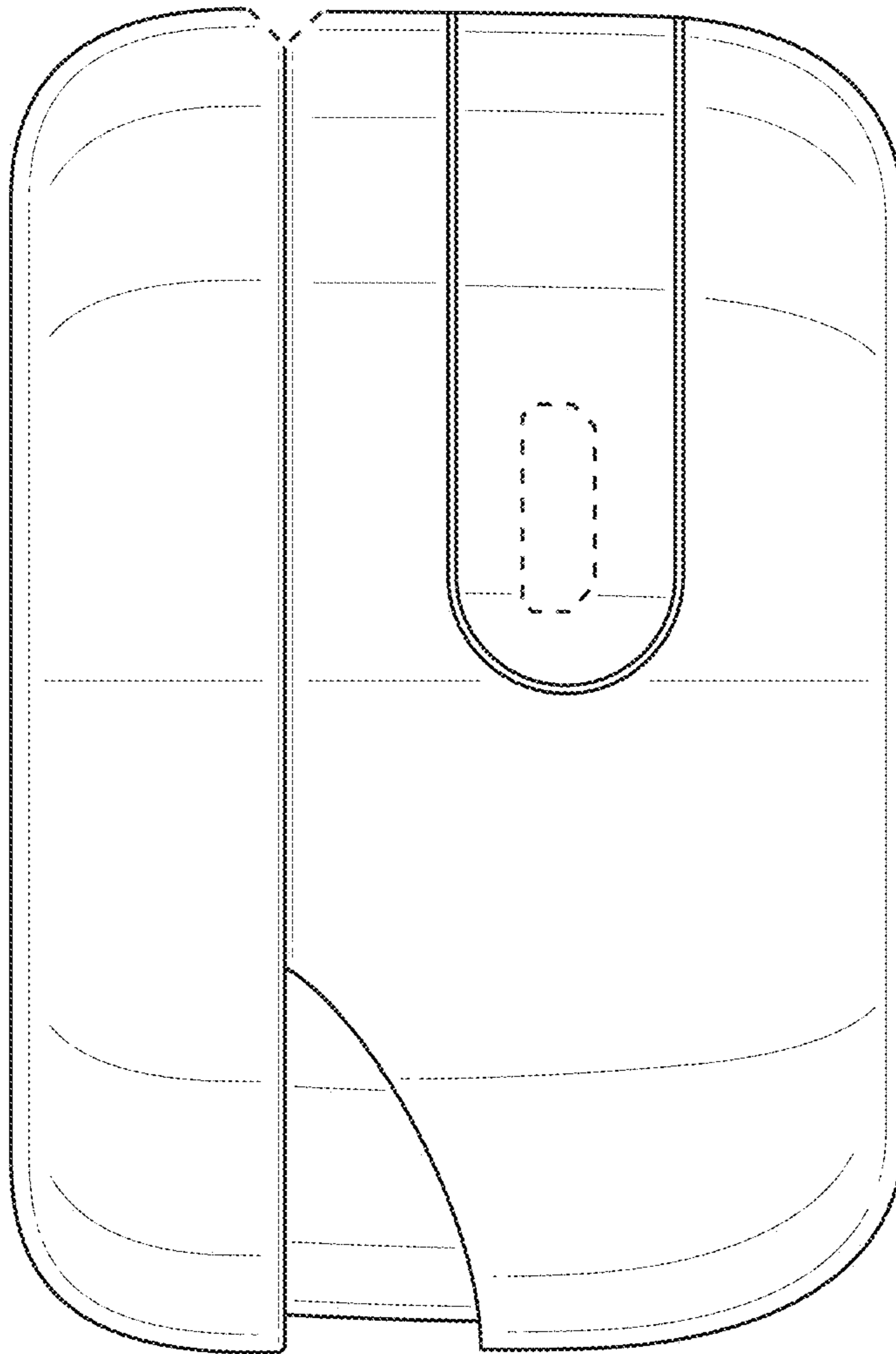
**FIG. 3**



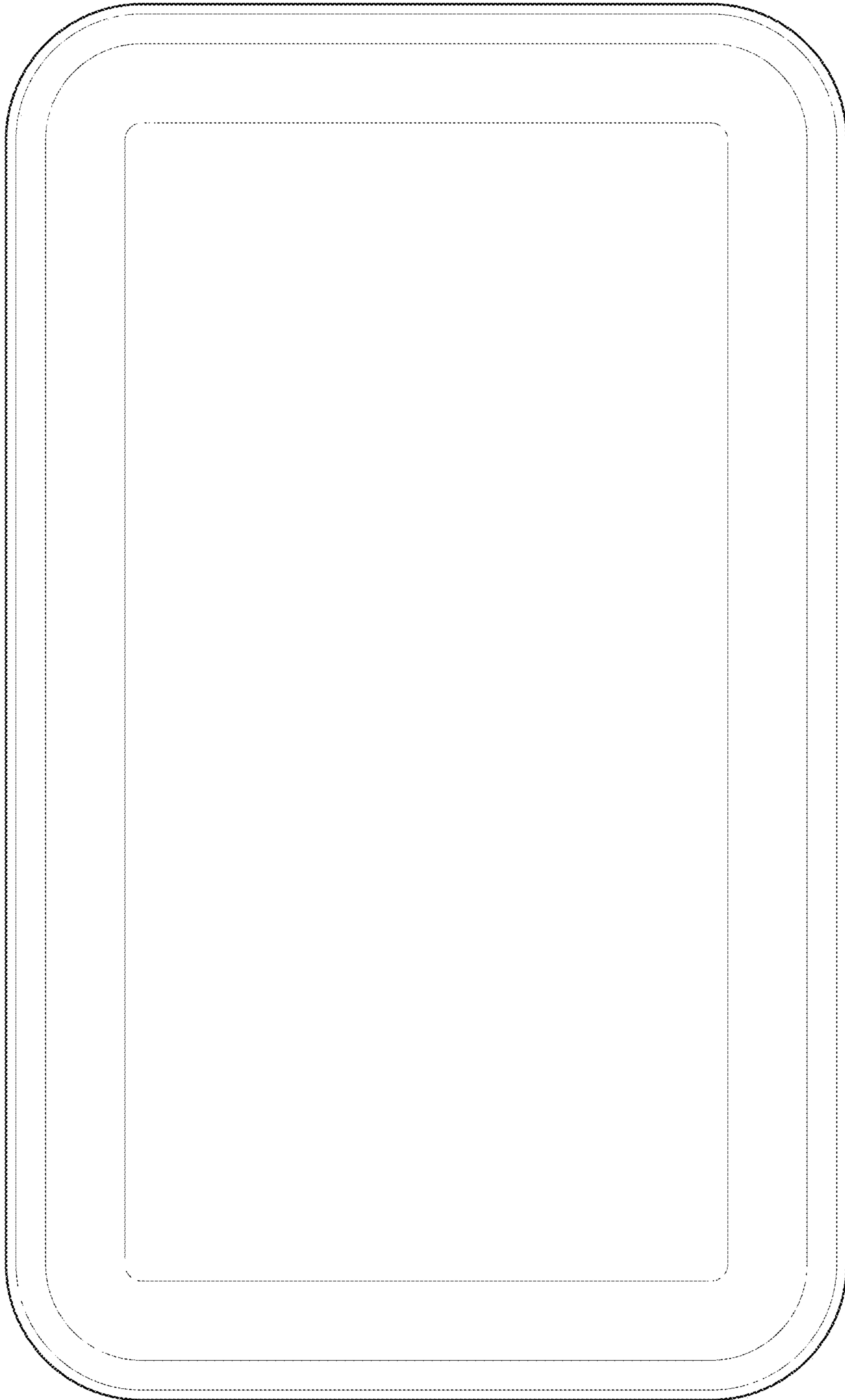
**FIG. 4**



**FIG. 5**

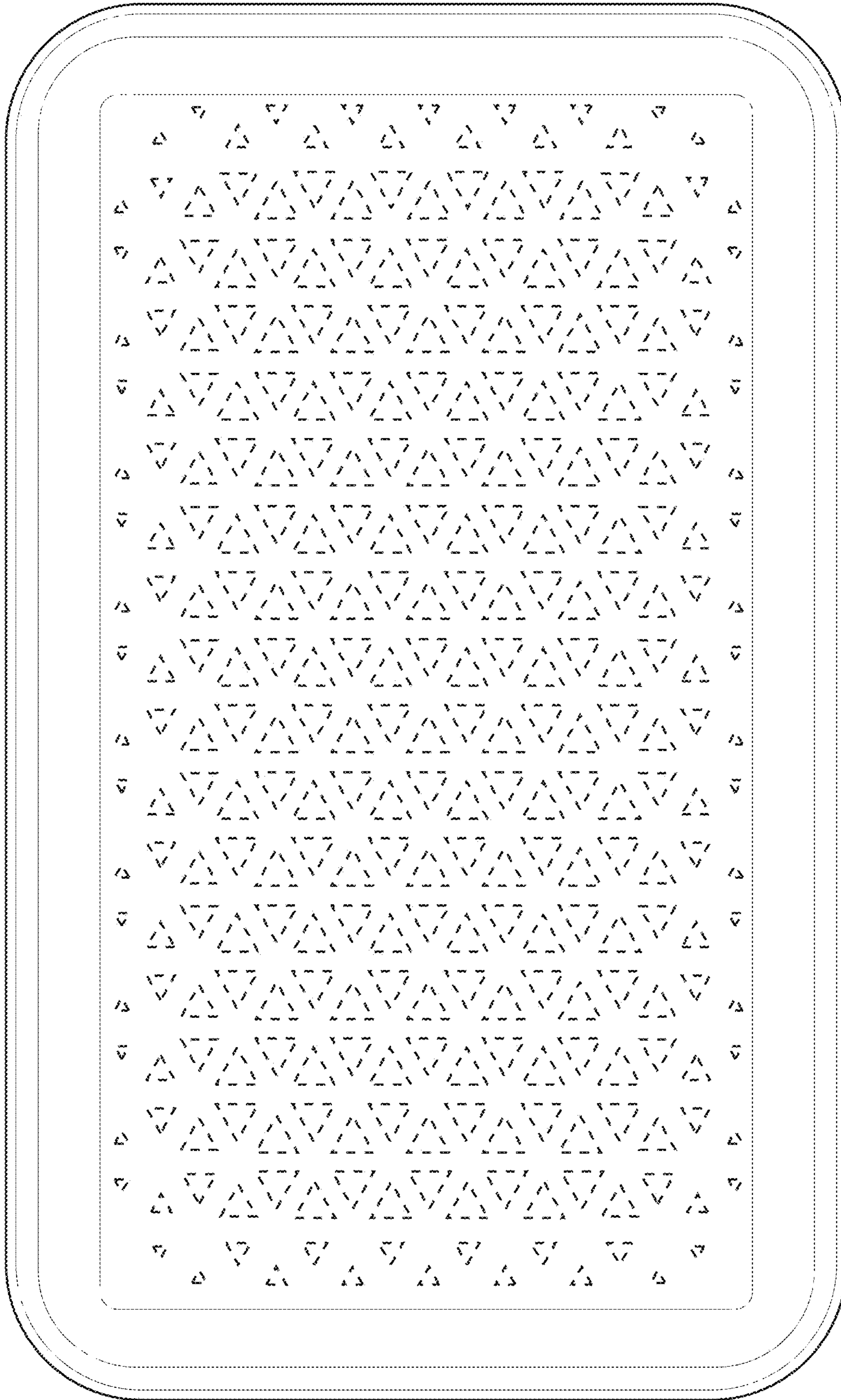


**FIG. 6**



**FIG. 7**





**FIG. 8**