



US00D891771S

(12) **United States Design Patent** (10) **Patent No.:** **US D891,771 S**
Lee et al. (45) **Date of Patent:** **** Aug. 4, 2020**

(54) **PROTECTIVE HANG COVER SKIN FOR ELECTRONIC DEVICE**

FOREIGN PATENT DOCUMENTS

(71) Applicant: **elago CO. LTD**, Goyang-si, Gyeonggi-do (KR)

CN 304616205 5/2018
CN 304701574 6/2018

(Continued)

(72) Inventors: **Chan Woo Lee**, Goyang-si (KR); **Chong Min Kim**, Seoul (KR)

OTHER PUBLICATIONS

(73) Assignee: **elago CO. LTD**, Goyang-si, Gyeonggi-Do (KR)

A2 Duo Hang Case [Body-Pastel Blue/Top-Pink, White], posted at elago.com, no posting date, online, retrieved Jun. 17, 2020, URL: <https://www.elago.com/wireless-charging-case/a2-duo-hang-case-body-pastel-blue/top-pink-white> (Year: 2020).*

(**) Term: **15 Years**

Primary Examiner — Lilyana Bekic

(21) Appl. No.: **29/686,091**

Assistant Examiner — Mary Shannon Malley

(22) Filed: **Apr. 2, 2019**

(74) *Attorney, Agent, or Firm* — Paratus Law Group, PLLC

(51) **LOC (12) Cl.** **03-01**

(57) **CLAIM**

(52) **U.S. Cl.**

The ornamental design for a protective hang cover skin for electronic device, as shown and described.

USPC **D3/269**; D3/215; D3/302

(58) **Field of Classification Search**

DESCRIPTION

USPC D3/201, 203.1, 204, 205, 207–208, 212, D3/215, 218, 269, 273–274, 276, 283, D3/284, 294–300, 302, 303, 315, 901, D3/903; D9/414, 418, 420, 430, 432; D28/66, 73, 76, 78, 91; D14/188, 201, D14/204, 205, 209.1, 217, 250, 251, 440, D14/447

FIG. 1 is a front, top and right perspective view of protective hang cover skin for electronic device showing claimed design;

CPC ... A45C 13/002; A45C 13/005; A45C 13/025; A45C 2011/001; A45C 2011/002; A45C 2011/003

FIG. 2 is a front view thereof;

See application file for complete search history.

FIG. 3 is a back view thereof;

(56) **References Cited**

U.S. PATENT DOCUMENTS

D426,950 S * 6/2000 Conway D3/203.5
D570,593 S * 6/2008 Justiss D3/201
D594,224 S * 6/2009 Leung D3/218
7,775,354 B2 8/2010 Latchford et al.

FIG. 4 is a left side view thereof;

FIG. 5 is a right side view thereof;

FIG. 6 is a top view thereof;

FIG. 7 is a bottom view thereof;

FIG. 8 is a rear, bottom and right perspective view thereof;

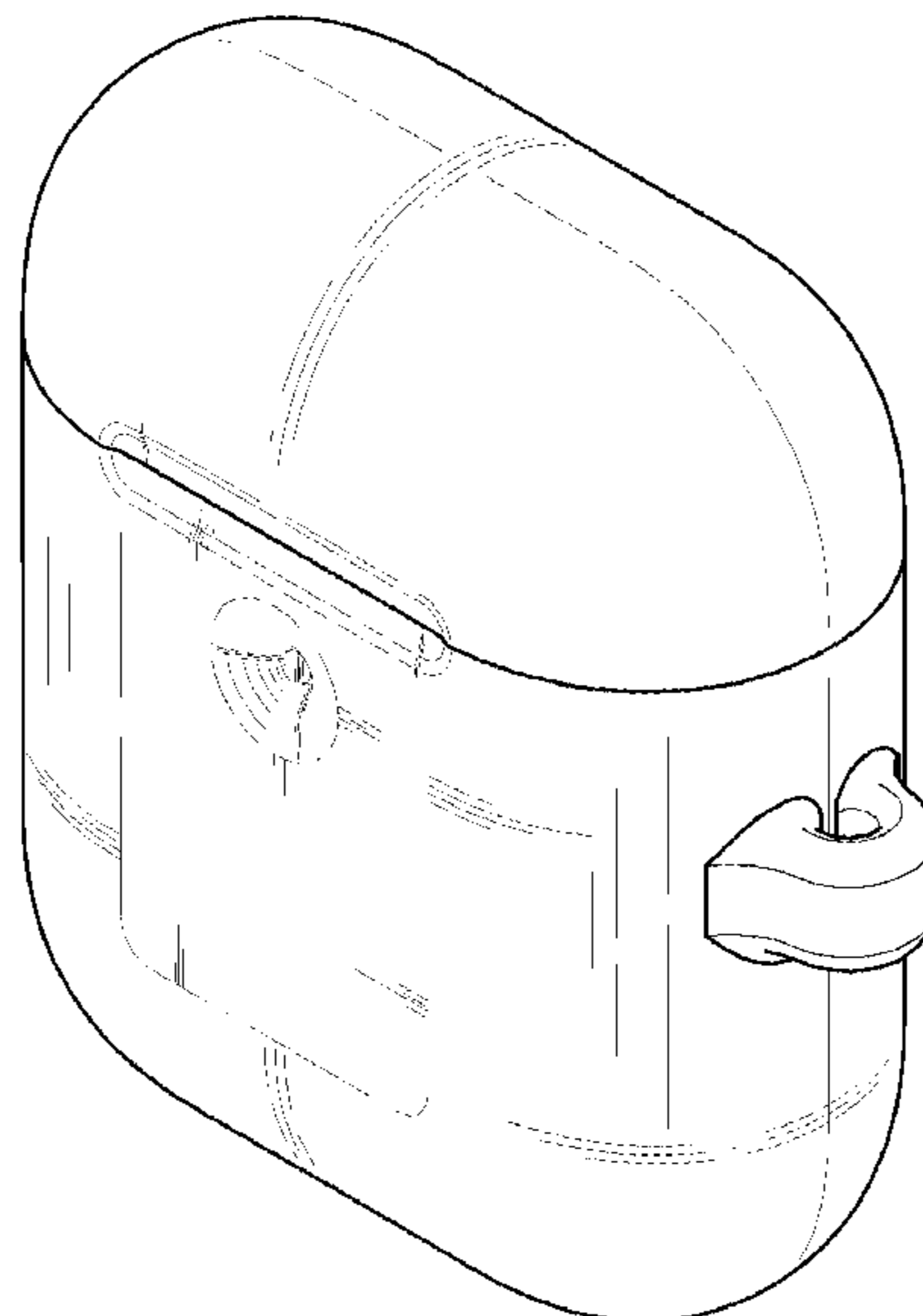
FIG. 9 is a cross-sectional view taken along line 9-9 shown in FIG. 2; and,

FIG. 10 is a front, top and right perspective view thereof with a top portion open in use.

The broken lines shown in FIG. 10 depict environment and form no part of the claimed design.

(Continued)

1 Claim, 9 Drawing Sheets



(56)

References Cited

FOREIGN PATENT DOCUMENTS

U.S. PATENT DOCUMENTS

D672,642 S 12/2012 Supranowicz
 D775,463 S 1/2017 Shieh
 D806,388 S * 1/2018 Akana D3/294
 D818,268 S * 5/2018 Akana D3/294
 D826,152 S * 8/2018 Christiansen D13/108
 D849,401 S * 5/2019 Akana D3/274
 D868,453 S * 12/2019 Lee D3/201
 D868,465 S * 12/2019 Lee D3/269
 D872,468 S * 1/2020 Lee D3/269
 D872,469 S * 1/2020 Lee D3/269
 D872,724 S * 1/2020 Lee D14/250
 D878,045 S * 3/2020 Akana D3/274
 D878,754 S * 3/2020 Lee D3/270
 D879,473 S * 3/2020 Lee D3/318
 D881,572 S * 4/2020 Wang D3/294
 D882,259 S * 4/2020 Liu D3/269
 D883,296 S * 5/2020 Lee D14/440
 2012/0031786 A1 2/2012 Mish et al.
 2017/0095065 A1 4/2017 Colbert et al.
 2018/0064224 A1 * 3/2018 Brzezinski H04R 1/1025

CN 304708016 7/2018
 CN 304778115 8/2018
 CN 304814243 9/2018
 CN 304841049 10/2018
 CN 304877424 11/2018
 CN 304943054 12/2018
 CN 304948858 12/2018
 CN 304983202 1/2019
 CN 304989087 1/2019
 CN 304989088 1/2019
 CN 304995211 1/2019
 CN 304995216 1/2019
 EM 003784321-0001 6/2017
 EM 005831625-0001 12/2018
 EM 006085924-0001 2/2019
 EM 006262796-0001 3/2019
 GB 6040802 8/2018

* cited by examiner

FIG. 1

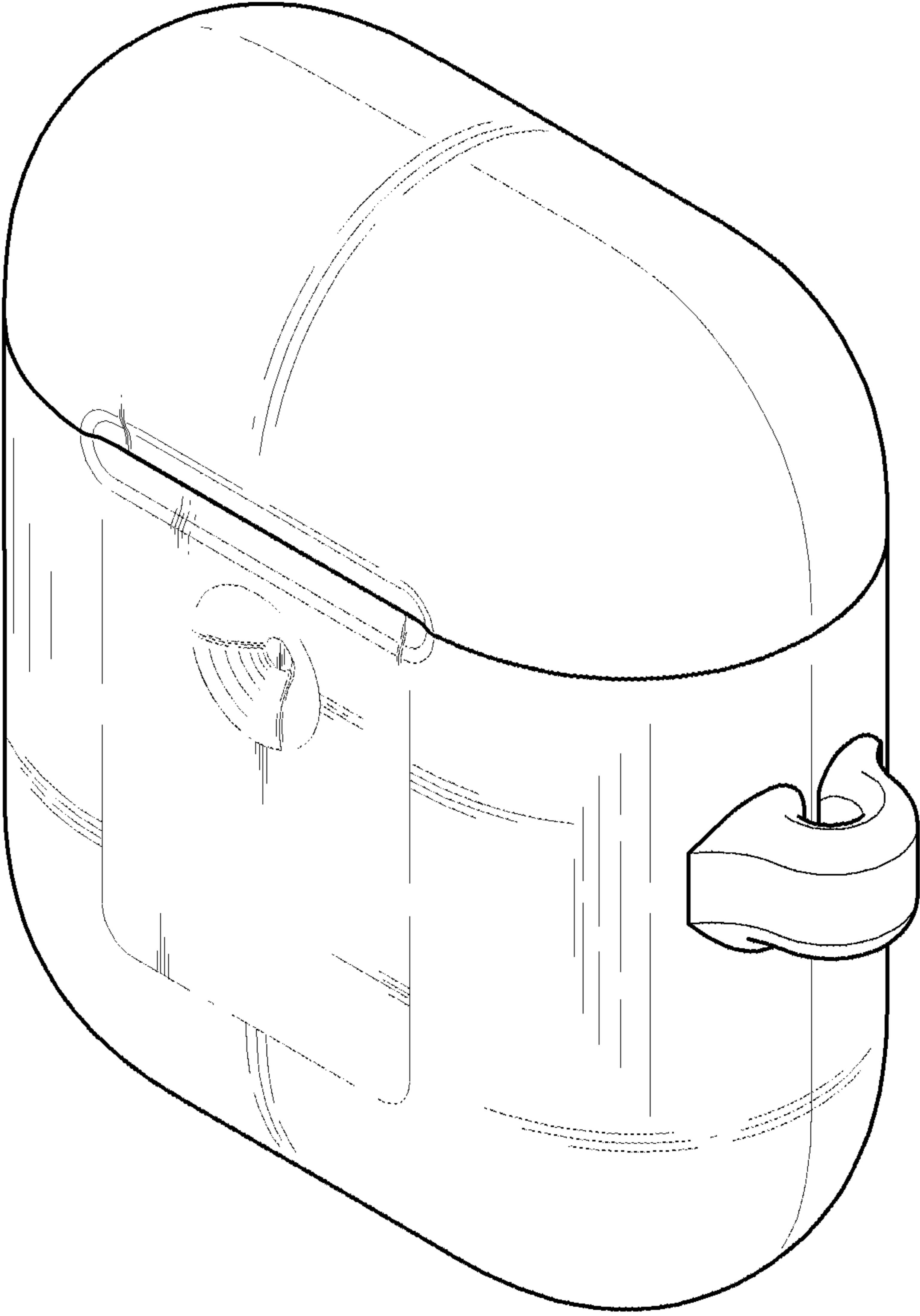


FIG. 2

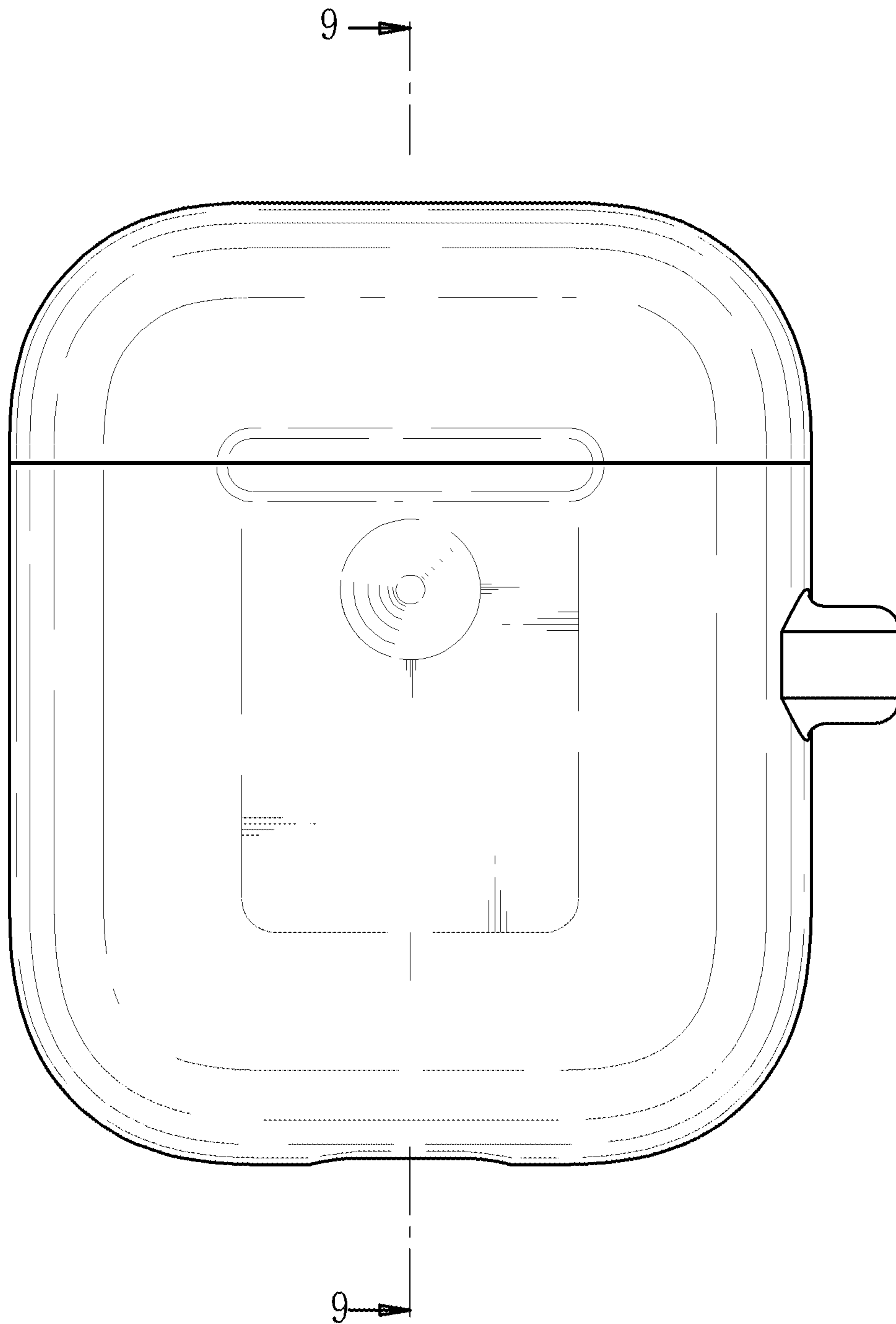


FIG. 3

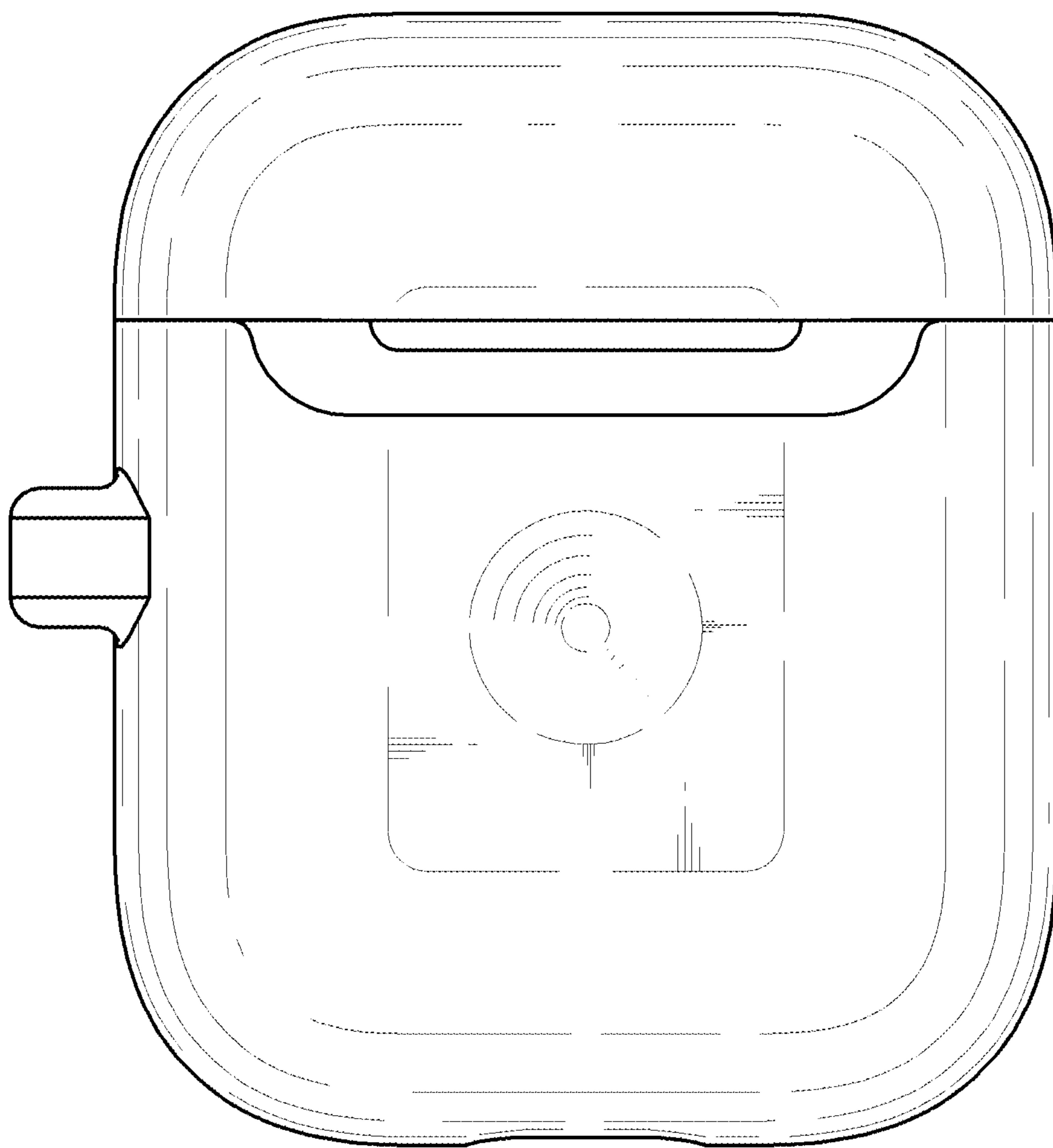


FIG. 4

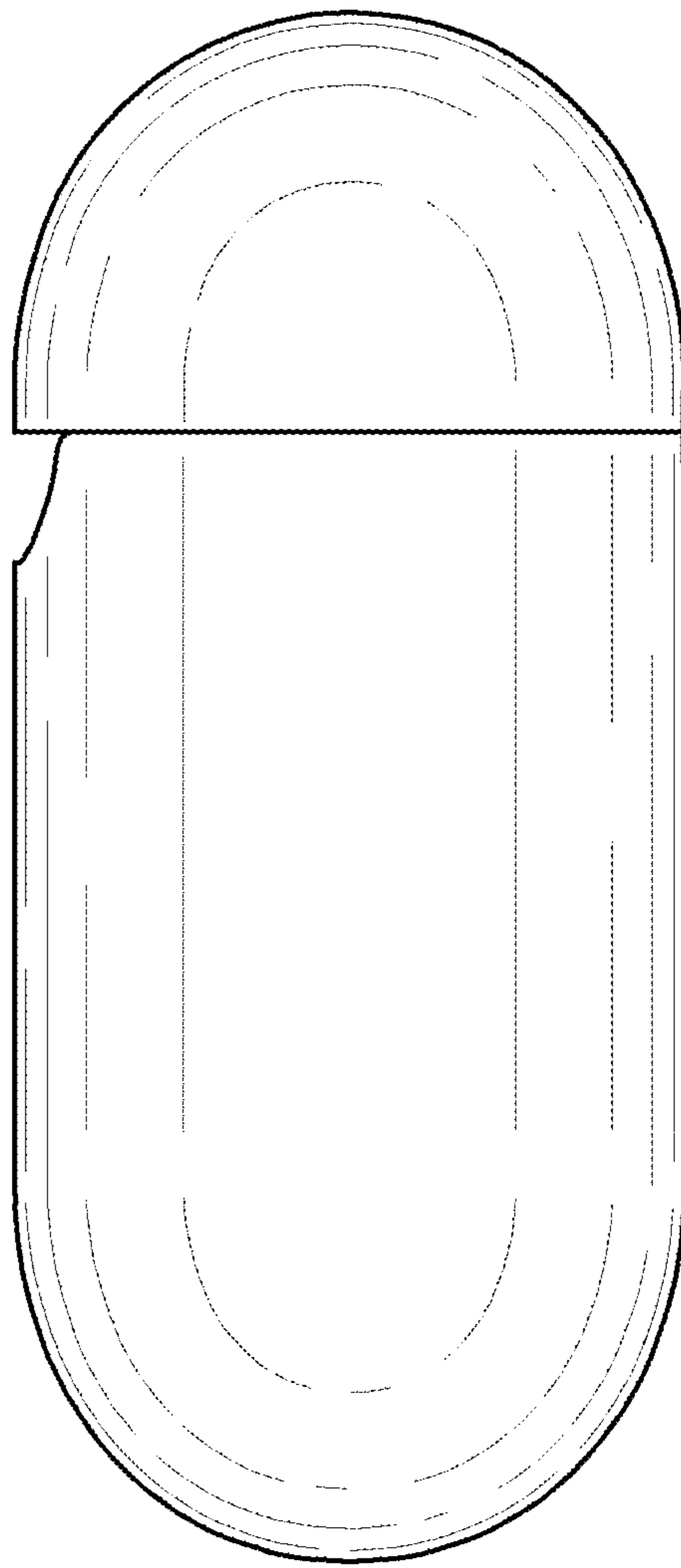


FIG. 5

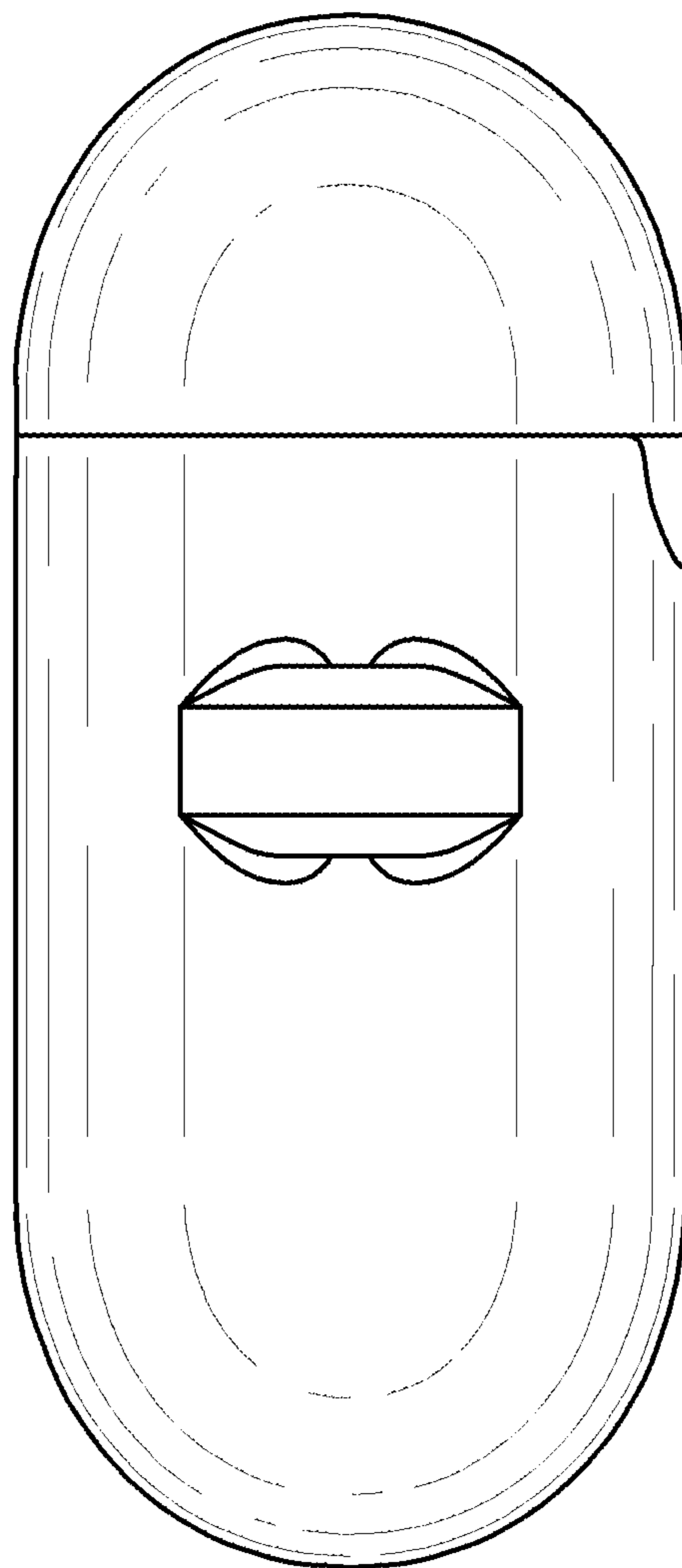


FIG. 6

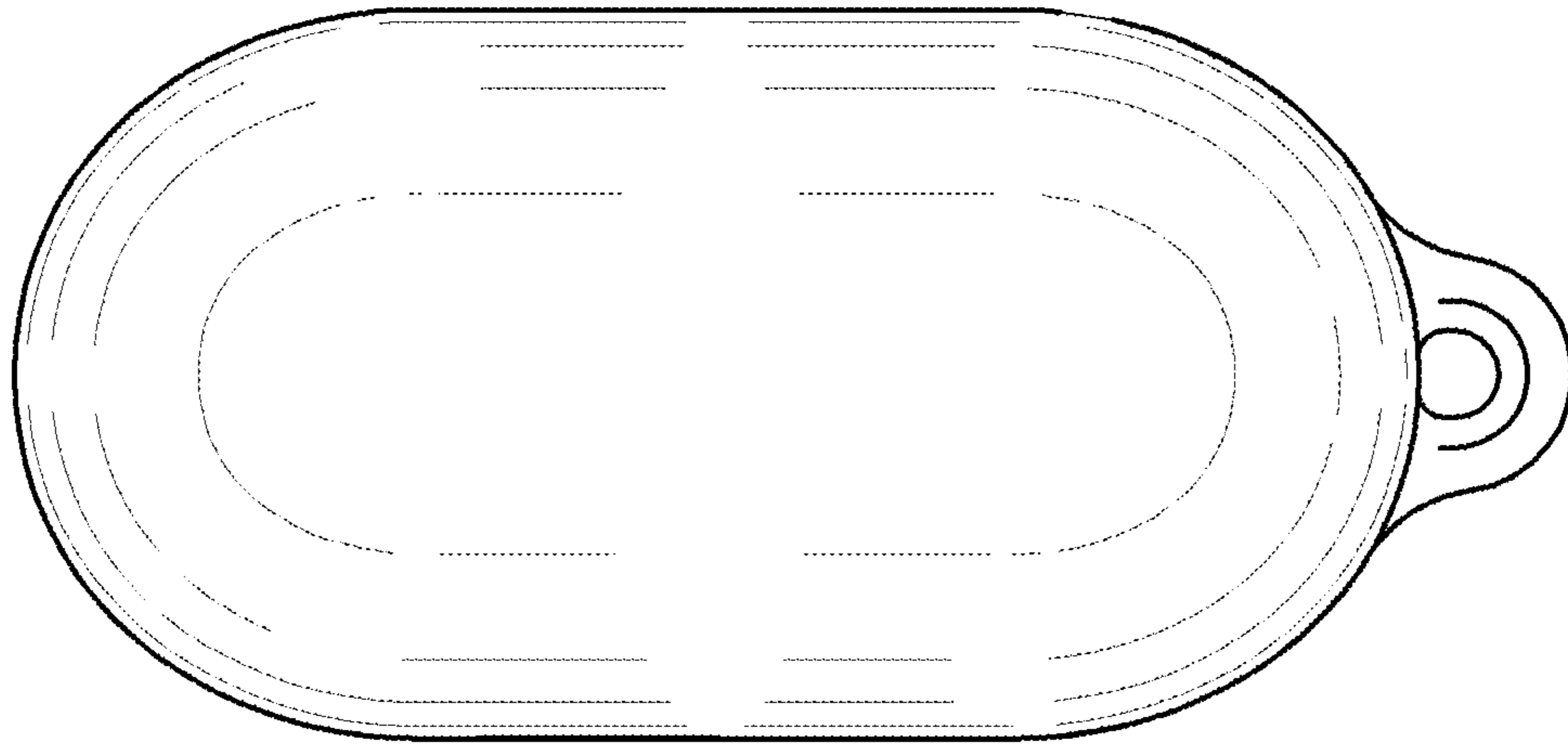


FIG. 7

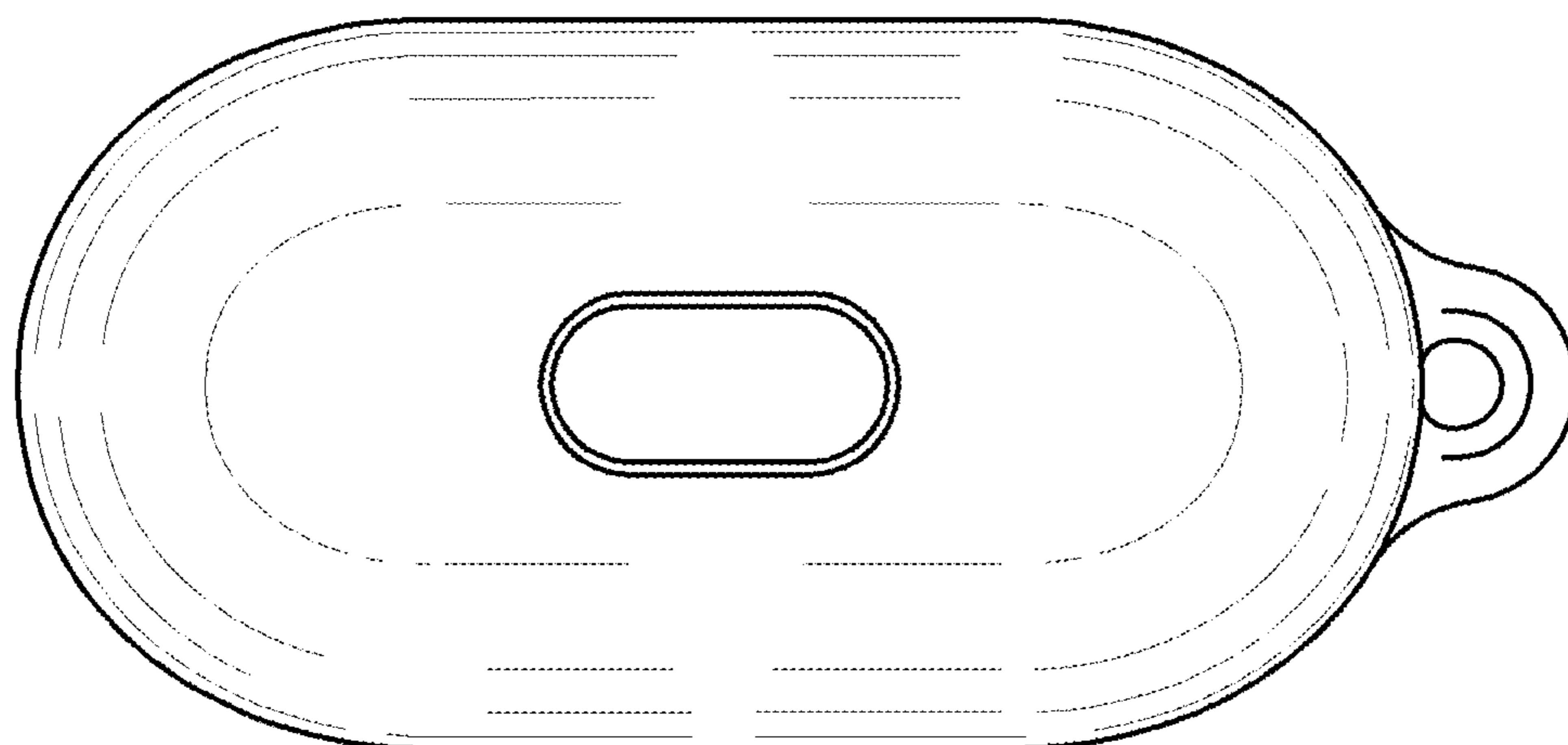


FIG. 8

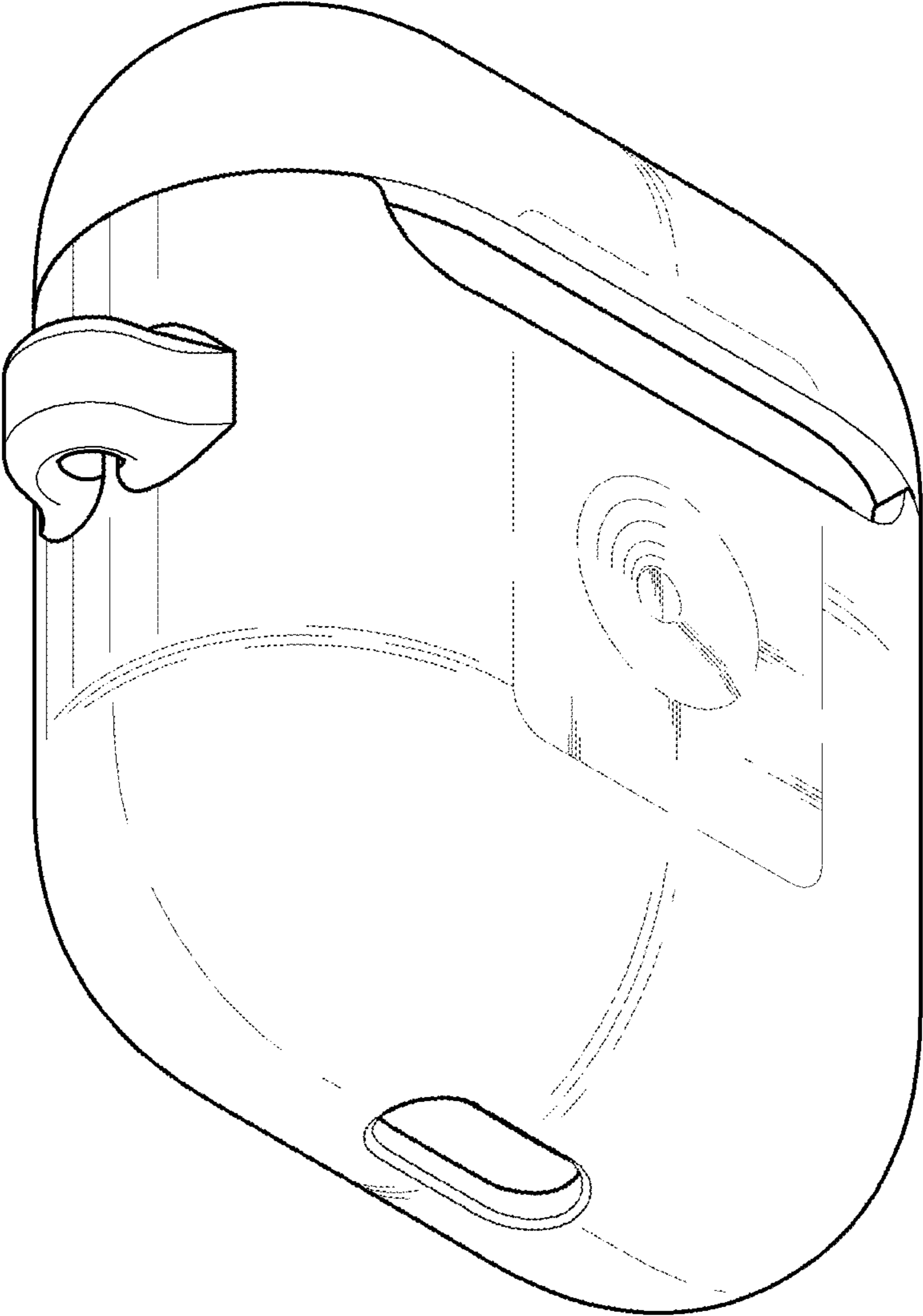


FIG. 9

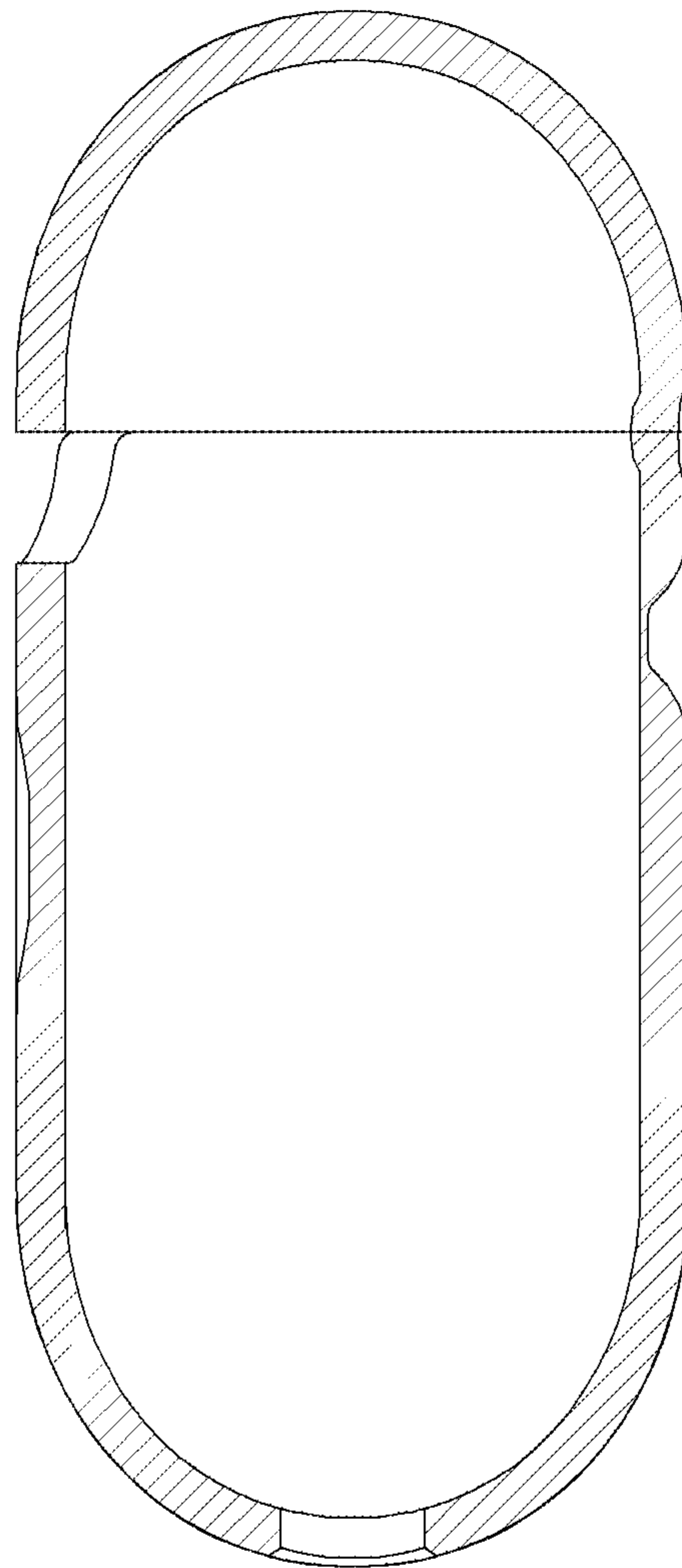


FIG. 10

