



US00D891770S

(12) **United States Design Patent**
Gagnon

(10) **Patent No.:** **US D891,770 S**

(45) **Date of Patent:** **** Aug. 4, 2020**

(54) **CONTACT LENS CASE**

(71) Applicant: **Lorelei Vivienne Gagnon**, Chicago, IL
(US)

(72) Inventor: **Lorelei Vivienne Gagnon**, Chicago, IL
(US)

(**) Term: **15 Years**

(21) Appl. No.: **29/637,176**

(22) Filed: **Feb. 14, 2018**

(51) **LOC (12) Cl.** **03-01**

(52) **U.S. Cl.**
USPC **D3/264**

(58) **Field of Classification Search**
USPC D3/207, 215, 219, 229, 263–268, 301,
D3/211; D12/417; D16/330, 339;
24/3.3, 3.7, 3.8, 563; 206/5, 5.1, 6;
248/902; 351/112, 155
CPC A45C 11/04; A45C 11/005; A47F 7/02;
A47F 7/021
See application file for complete search history.

(56) **References Cited**

U.S. PATENT DOCUMENTS

3,741,377	A *	6/1973	Krellen	A45C 11/005 206/5
D239,413	S *	3/1976	Hoogesteger et al.	D3/264
D285,744	S *	9/1986	Vinot	D3/264
D286,465	S *	11/1986	Attwood	D3/207
4,925,017	A *	5/1990	Jessen	A45C 11/005 206/5.1
4,942,959	A *	7/1990	Sauber	A45C 11/005 134/137
D317,527	S *	6/1991	Bonelli	D3/264
5,383,550	A *	1/1995	Tsao	A45C 11/005 206/5.1
D358,477	S *	5/1995	De Meo	D3/264

D368,368	S *	4/1996	Merritt	D3/263
5,657,506	A *	8/1997	Pankow	A45C 11/005 15/104.92
5,891,258	A *	4/1999	Pankow	A45C 11/005 134/40

(Continued)

OTHER PUBLICATIONS

Color Case, Contact Lens Cases, date unknown but before Jan. 1, 2018.

(Continued)

Primary Examiner — T Chase Nelson

(74) *Attorney, Agent, or Firm* — Duane Morris LLP

(57) **CLAIM**

I Claim the ornamental design for a contact lens case, as shown and described.

DESCRIPTION

FIG. 1 is a top isometric view of the contact lens case in a fully opened position.

FIG. 2 is a top plan view of the contact lens case in the fully opened position.

FIG. 3 is an enlarged top plan view of the contact lens case in a fully closed position.

FIG. 4 is an enlarged bottom plan view of the contact lens case in the fully closed position.

FIG. 5 is a left side elevational view of the contact lens case in the fully opened position. A right side elevational view is a mirror image thereof.

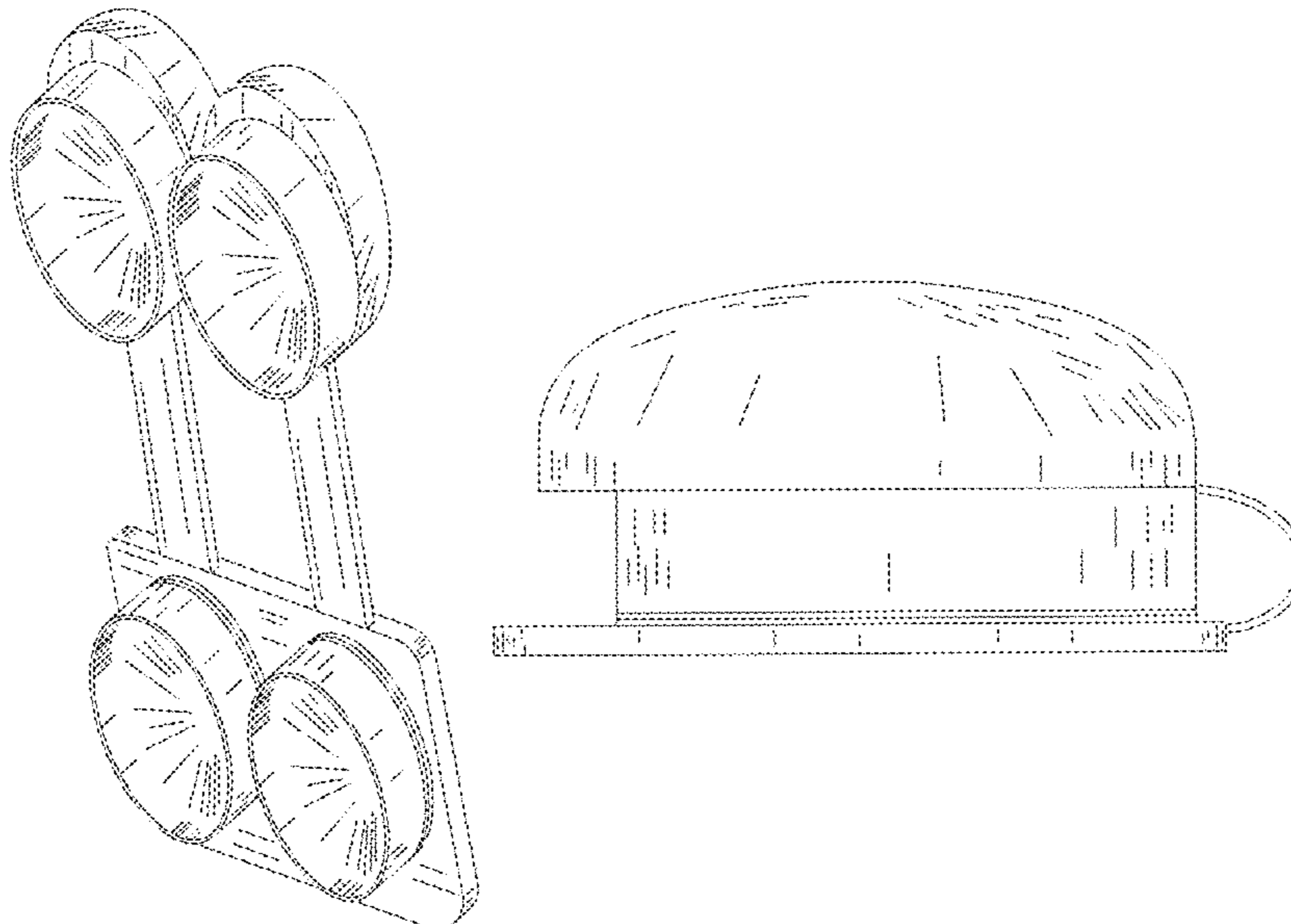
FIG. 6 is a greatly enlarged front elevational view of the contact lens case in the fully opened position.

FIG. 7 is a greatly enlarged rear elevational view of the contact lens case in the fully opened position; and,

FIG. 8 is an enlarged right elevational view of the contact lens case in the fully closed position. A left elevational view is a mirror image thereof.

The broken lines depict portions of the contact lens case that form no part of the claimed design.

1 Claim, 8 Drawing Sheets



(56)

References Cited

U.S. PATENT DOCUMENTS

6,382,409 B1 * 5/2002 Scala A45C 11/005
116/307
6,415,915 B1 * 7/2002 Grossman A45C 11/04
206/45.23
D471,356 S * 3/2003 Eaton D3/263
D498,590 S * 11/2004 Borovsky D3/263
D512,565 S * 12/2005 Sasso D3/263
D551,448 S * 9/2007 Stull D3/264
D566,388 S * 4/2008 Nevins D3/263
D570,113 S * 6/2008 Maraia A61L 12/02
D3/263
D571,555 S * 6/2008 Maraia D3/263
7,397,347 B1 * 7/2008 Joyce A45C 11/005
206/5.1
D575,955 S * 9/2008 Maraia A45C 11/04
D3/263
D613,599 S * 4/2010 Khubani D9/446
D643,722 S * 8/2011 Gorskey D9/439
8,015,987 B2 * 9/2011 Zakutin A61L 12/02
134/117
D658,372 S * 5/2012 van der Lande D3/264
D714,051 S * 9/2014 Priebe A45C 11/005
D3/264
D714,052 S * 9/2014 Priebe A45C 11/005
D3/264
D720,532 S * 1/2015 Priebe A45C 11/005
D3/264
D755,516 S * 5/2016 Krenkler D3/264
D761,020 S * 7/2016 O'Hara A45C 11/005
D3/264
D777,427 S * 1/2017 Squicciarini A45C 11/005
D3/264
D784,694 S * 4/2017 Priebe A45C 11/005
D3/264
D806,387 S * 1/2018 Tillmann A45C 11/005
D3/264
2002/0069896 A1 * 6/2002 Pankow A45C 11/005
134/6

2006/0102496 A1 * 5/2006 Christy A45C 11/005
206/5.1
2010/0044247 A1 * 2/2010 Knox A61L 12/086
206/5.1
2010/0122917 A1 * 5/2010 Azera A45C 11/005
206/5.1
2013/0220840 A1 * 8/2013 Priebe A45C 11/005
206/5.1
2019/0059543 A1 * 2/2019 Gagnon A45C 11/005

OTHER PUBLICATIONS

Beyond Optics, The Original Flip Top Contact Lens Case, date unknown but before Jan. 1, 2018.
Apex, The Apex Lens-Mate Contact Lens Case, date unknown but before Jan. 1, 2018.
Apex, https://www.amazon.com/Apex-Lens-Mate-Pack-3/dp/B000XPV3B2/ref=sr_1_cc_1_a_it?s=aps&ie=UTF8&qid=1519760782&sr=1-1-catcorr&keywords=apex+lens+mate, The Apex Lens-Mate Contact Lens Case, date unknown but before Mar. 1, 2018.
Amcon Labs, https://www.amazon.com/12-Pack-Flip-top-Contact-Assorted-Colorsidp/B016POMOXU/ref=sr_1_7_a_it?ie=UTF8&qid=1519946047&sr=8-7&keywords=contact+lens+case, 12-Pack, Deep Well Flip-top Contact Lens Cases Assorted Colors, date unknown but before Mar. 1, 2018.
Amcon Labs, https://www.amazon.com/dp/B06XGRGVHT/ref=psdc_4044171_t1_B00NPMIK66, 12-Pack, Deep Well Flip-top White Contact Lens Cases, date unknown but before Mar. 1, 2018.
Premium Life, https://www.amazon.com/Lens-Mate-Contact-Lense-Case-Pack/dp/B000LRA8CM/ref=sr_1_18_s_it?s=hpc&ie=UTF8&qid=1519946361&sr=1-18&keywords=contact+lens+case, Lens-Mate Contact Lens Case—2 Pack, date unknown but before Mar. 1, 2018.
Amcon Labs, https://www.amazon.com/12-Pack-Flip-top-White-Contact-Cases/dp/B06XGRGVHT/ref=sr_1_29_s_it?s=hpc&ie=UTF8&qid=1519946413&sr=1-29&keywords=contact+lens+case, 12-Pack, Deep Well Flip-top White contact Lens Cases, date unknown but before Mar. 1, 2018.

* cited by examiner

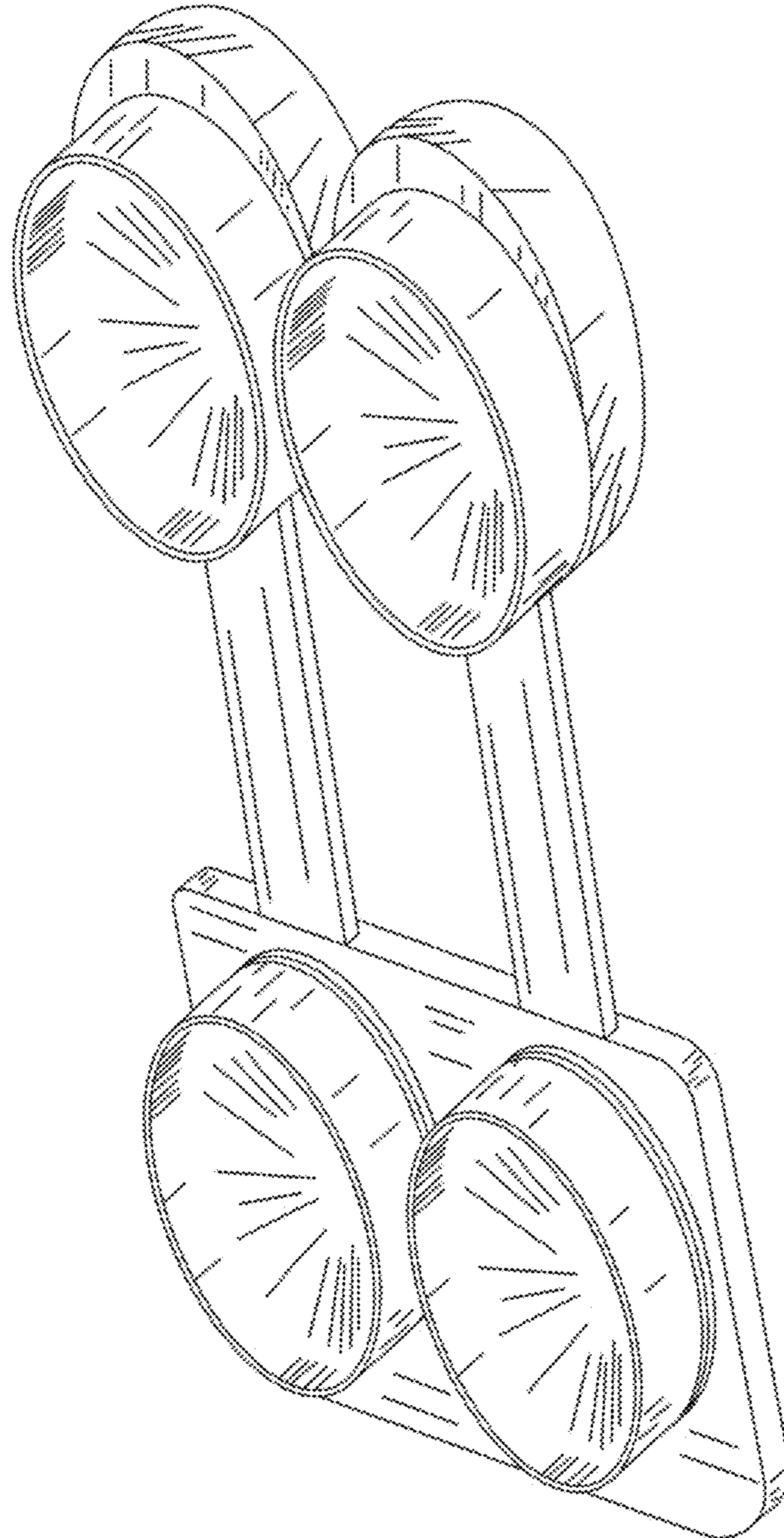


FIG. 1

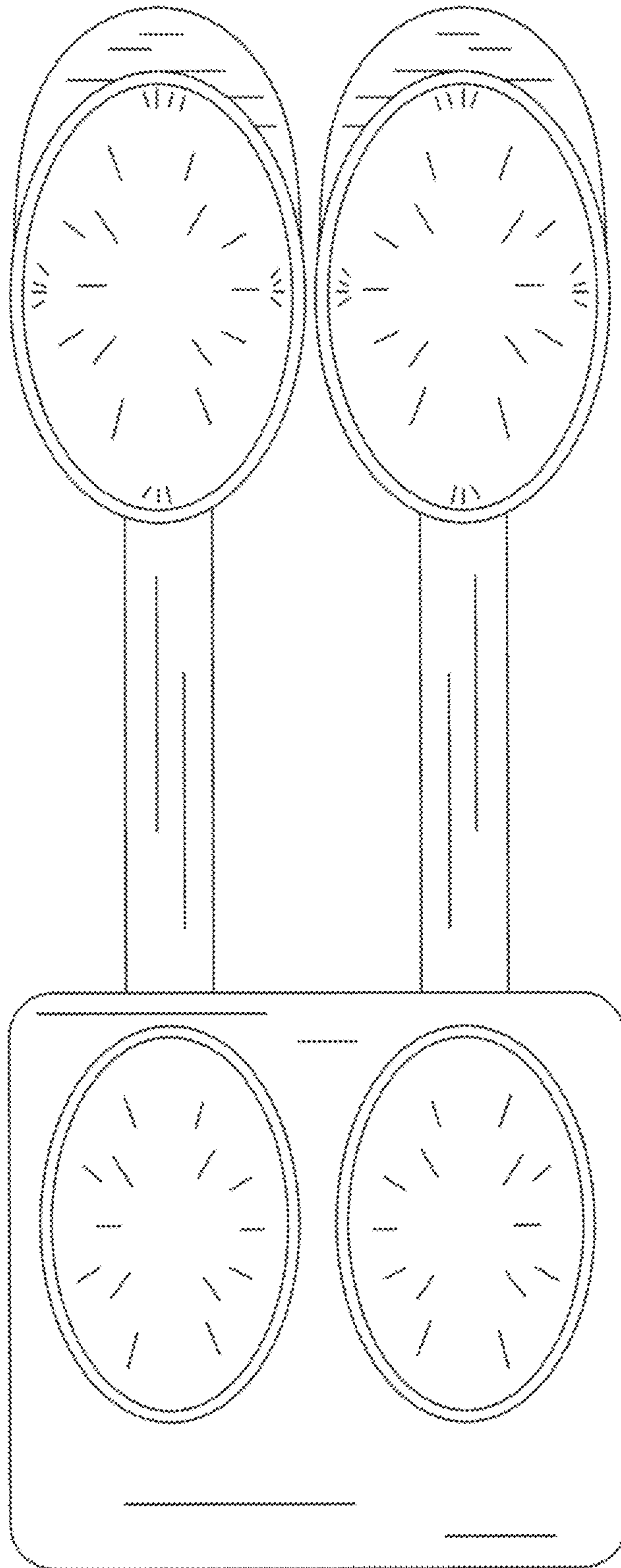


FIG. 2

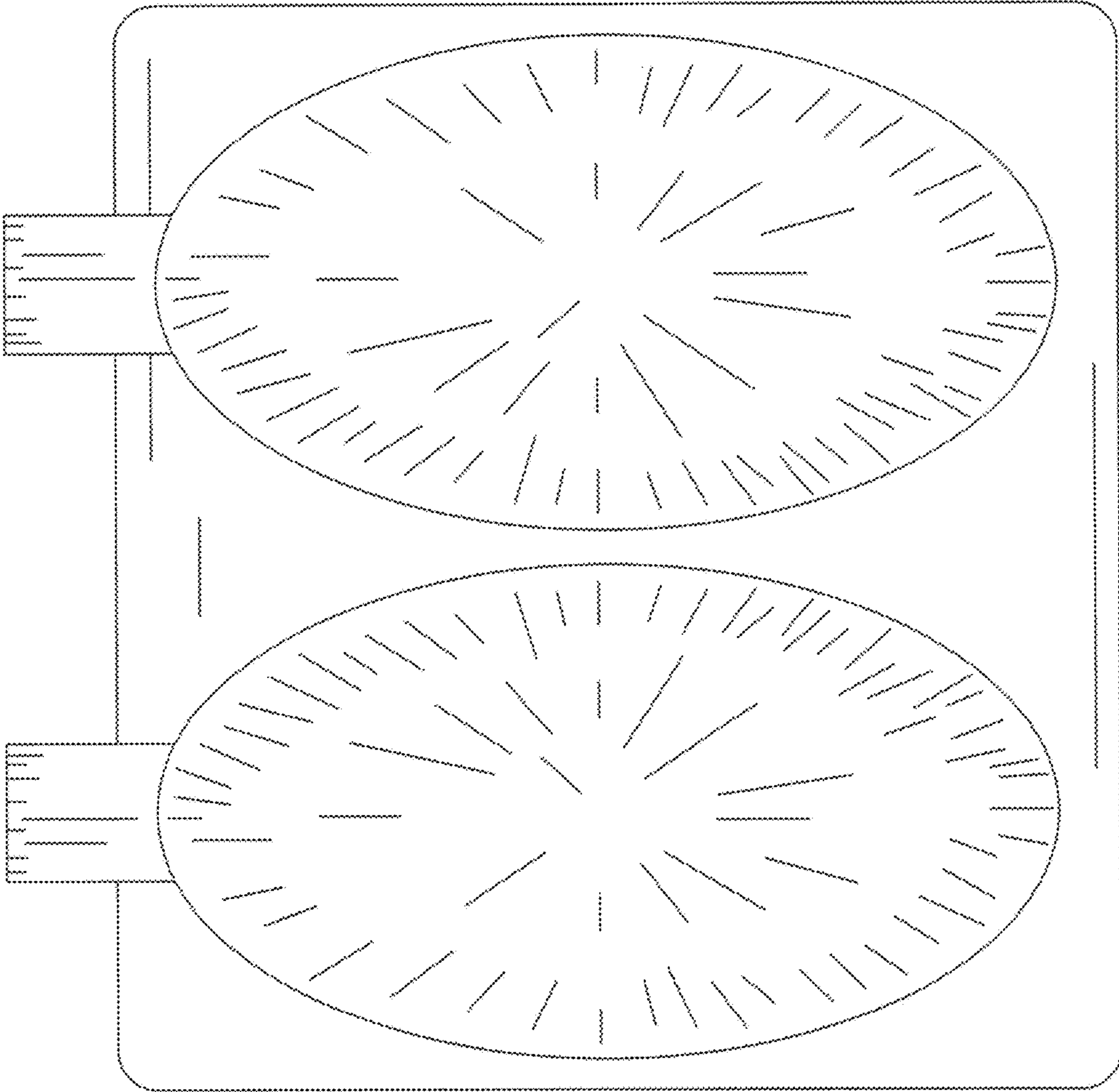


FIG. 3

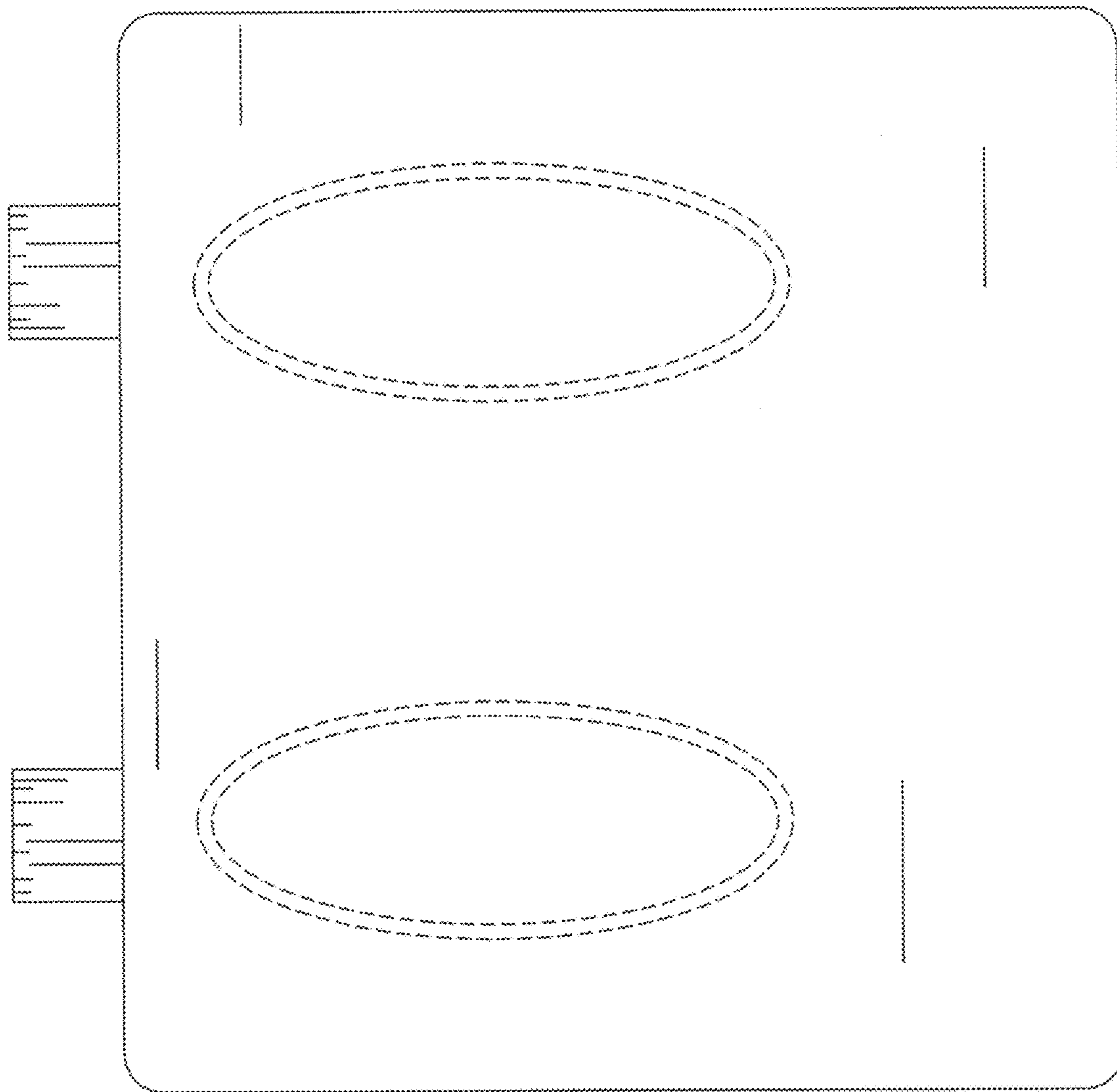


FIG. 4

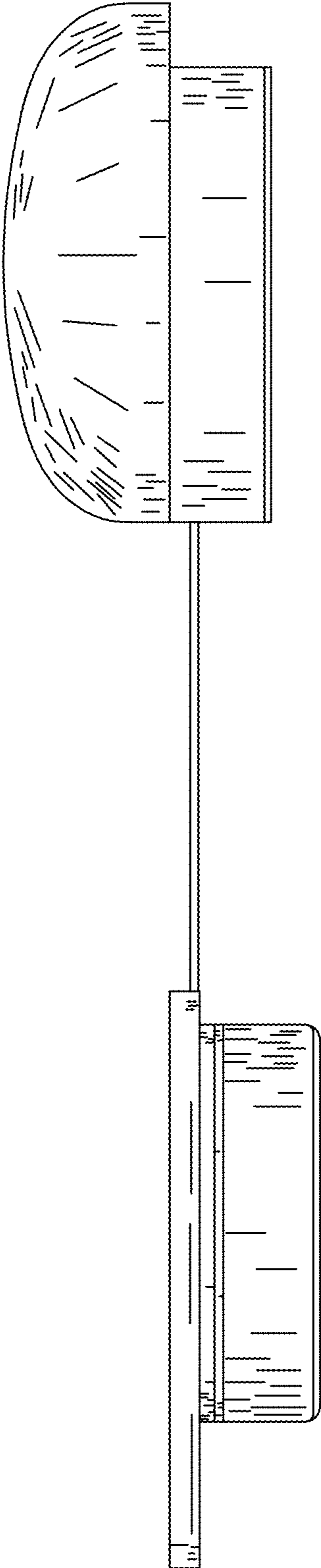


FIG. 5

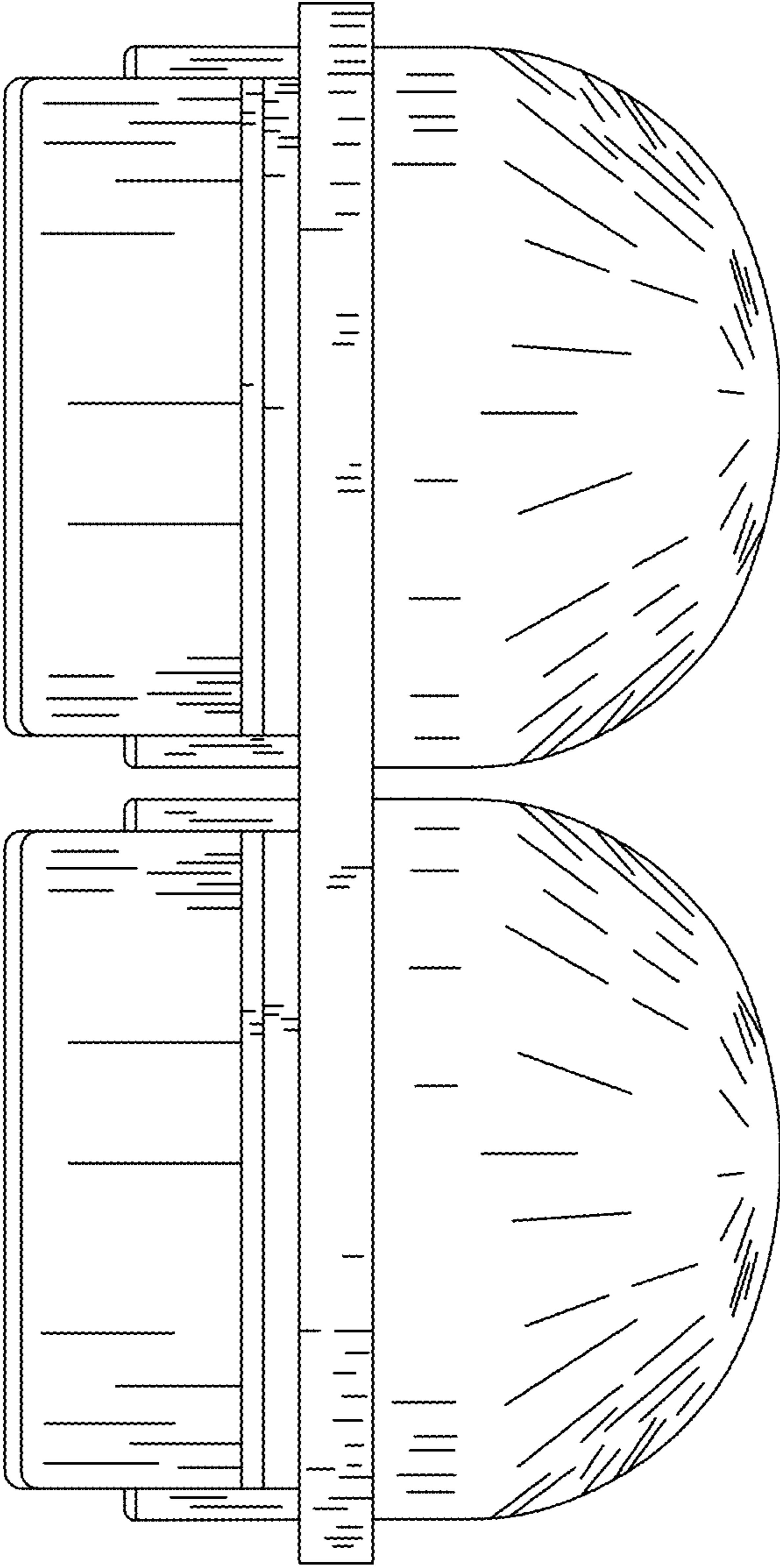


FIG. 6

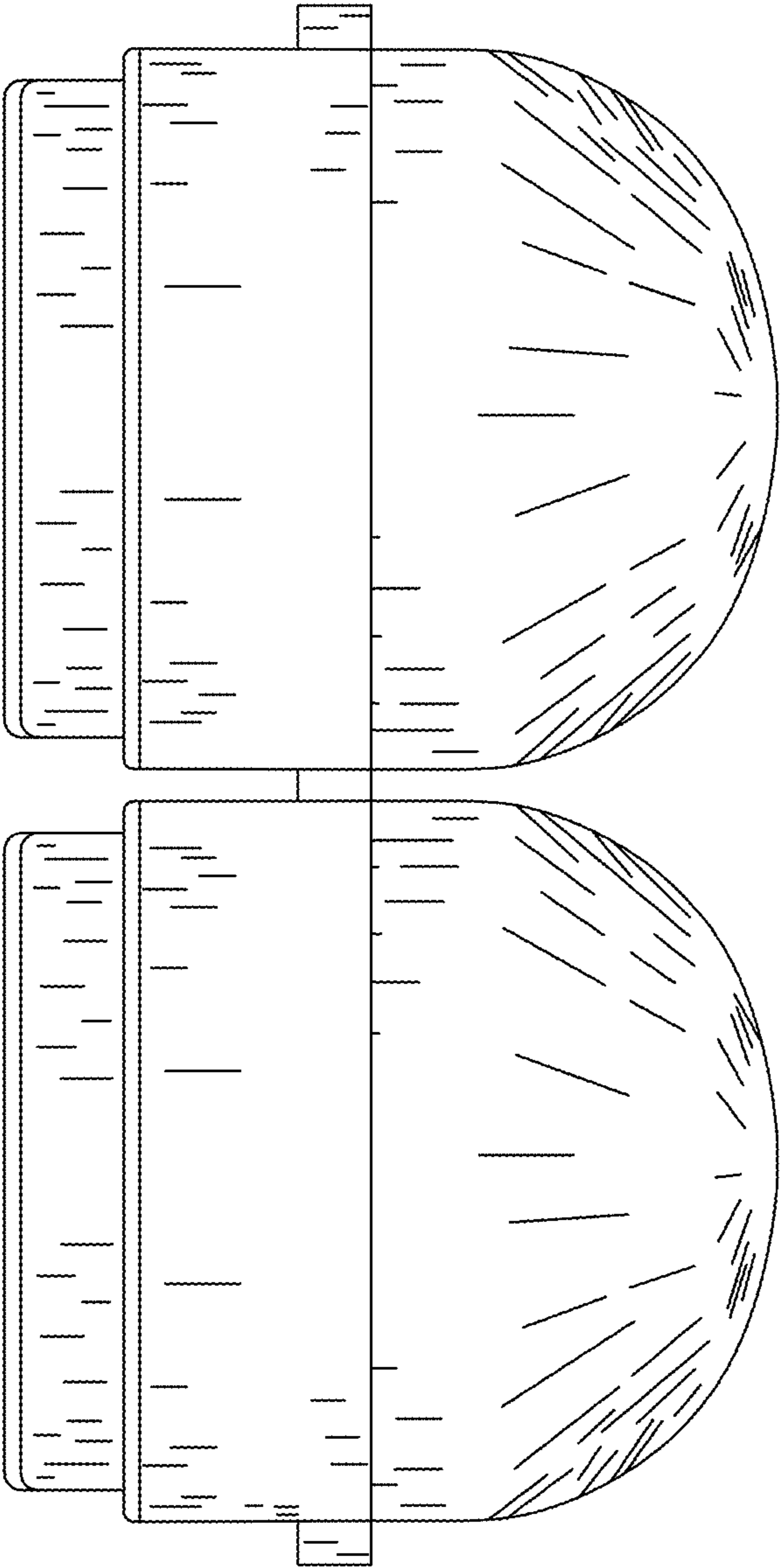


FIG. 7

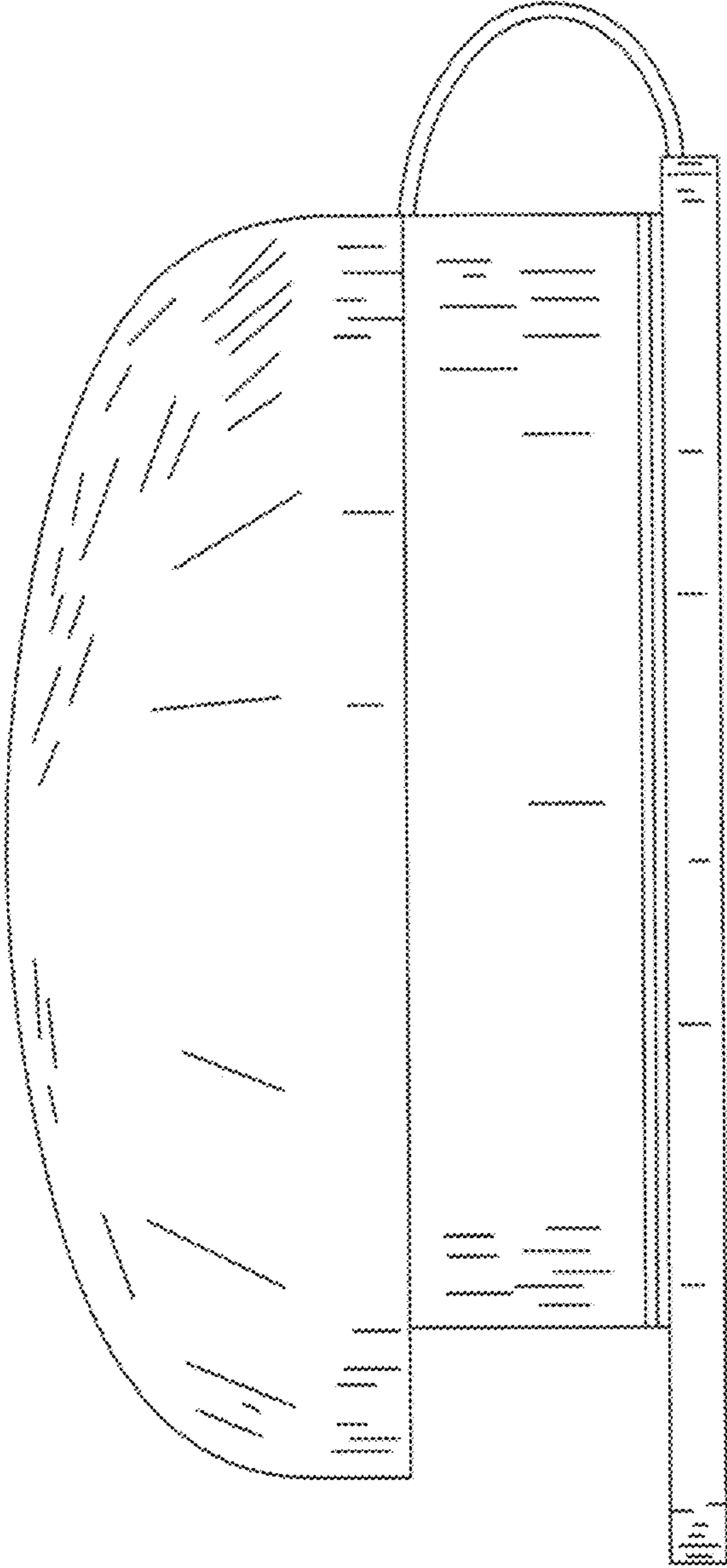


FIG. 8