



US00D891769S

(12) **United States Design Patent** (10) **Patent No.:** **US D891,769 S**  
**Chen** (45) **Date of Patent:** **\*\* Aug. 4, 2020**

(54) **GUN CLEANING KIT CASE**  
(71) Applicant: **Sheng Chen**, Ningbo (CN)  
(72) Inventor: **Sheng Chen**, Ningbo (CN)  
(\*\*) Term: **15 Years**  
(21) Appl. No.: **29/701,312**  
(22) Filed: **Aug. 9, 2019**  
(51) **LOC (12) Cl.** ..... **03-01**  
(52) **U.S. Cl.**  
USPC ..... **D3/262**  
(58) **Field of Classification Search**  
USPC ..... D3/262, 254, 221-225, 273, 276, 282,  
D3/294, 297, 201  
CPC .... A45C 13/02; F41A 29/00; F41A 29/02-04;  
B65D 85/00; B25H 3/02  
See application file for complete search history.

(56) **References Cited**  
U.S. PATENT DOCUMENTS  
4,901,464 A \* 2/1990 Banoun ..... F41A 29/00  
206/315.11  
D339,470 S \* 9/1993 Marks ..... D3/205  
5,394,966 A \* 3/1995 Chow ..... A45C 13/1084  
190/119  
D440,043 S \* 4/2001 Miller ..... D3/282  
D478,209 S \* 8/2003 Chen ..... D3/282  
7,165,673 B2 \* 1/2007 Marks ..... A45C 13/02  
206/373  
7,987,626 B2 \* 8/2011 Williams ..... F41A 29/02  
206/223  
D667,217 S \* 9/2012 Buie, II ..... D3/262  
D672,143 S \* 12/2012 Buie, II ..... D3/262  
D672,144 S \* 12/2012 Buie, II ..... D3/262  
D672,145 S \* 12/2012 Buie, II ..... D3/262  
8,707,607 B2 \* 4/2014 Williams ..... F41A 29/02  
206/362  
D716,547 S \* 11/2014 Pennington ..... D3/262  
D754,436 S \* 4/2016 Ou ..... D3/282

9,476,664 B2 \* 10/2016 Williams ..... B65D 77/22  
D785,938 S \* 5/2017 Ou ..... D3/282  
D789,085 S \* 6/2017 Jacobson ..... D3/262  
D841,981 S \* 3/2019 Kogel ..... D3/282  
10,429,148 B2 \* 10/2019 Jacobson ..... F41A 29/00  
D873,011 S \* 1/2020 Kao ..... D3/282  
10,612,879 B2 \* 4/2020 Jacobson ..... F41A 29/00  
2012/0090215 A1 \* 4/2012 Buie, II ..... B25H 3/023  
42/95  
2012/0152944 A1 \* 6/2012 Vilkomirski ..... B25H 3/022  
220/4.28

(Continued)

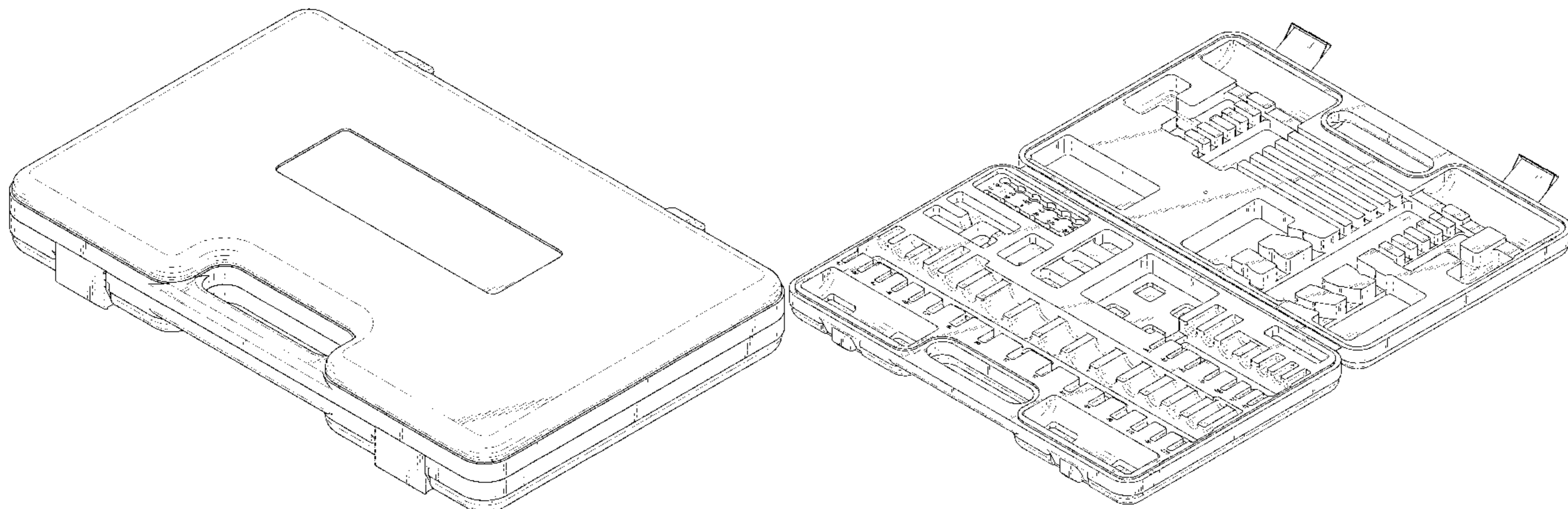
*Primary Examiner* — Mitchell I. Siegel  
(74) *Attorney, Agent, or Firm* — Innovation Capital Law Group, LLP; Vic Lin

(57) **CLAIM**  
The ornamental design for a gun cleaning kit case, as shown and described.

**DESCRIPTION**

FIG. 1 is a front elevation view of a closed gun cleaning kit case, showing my design;  
FIG. 2 is a rear elevation view thereof;  
FIG. 3 is a right elevation view thereof;  
FIG. 4 is a left elevation view thereof;  
FIG. 5 is a top plan view thereof;  
FIG. 6 is a bottom plan view thereof;  
FIG. 7 is a top perspective view thereof;  
FIG. 8 is a bottom perspective view of thereof;  
FIG. 9 is a front elevation view of an open gun cleaning kit case, showing my design;  
FIG. 10 is a rear elevation view of thereof;  
FIG. 11 is a right elevation view thereof;  
FIG. 12 is a left elevation view thereof;  
FIG. 13 is a top plan view thereof;  
FIG. 14 is a bottom plan view thereof;  
FIG. 15 is a top perspective view thereof; and,  
FIG. 16 is a top perspective view thereof.

**1 Claim, 16 Drawing Sheets**



(56)

**References Cited**

U.S. PATENT DOCUMENTS

2015/0165617 A1\* 6/2015 Chern ..... B25H 3/02  
206/374

\* cited by examiner

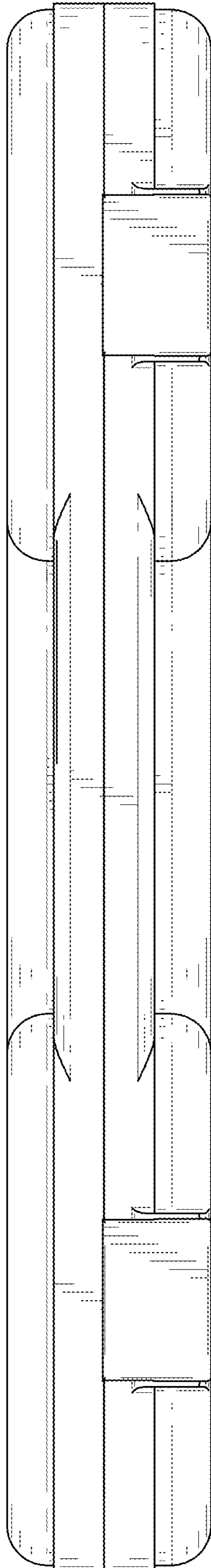


FIG. 1

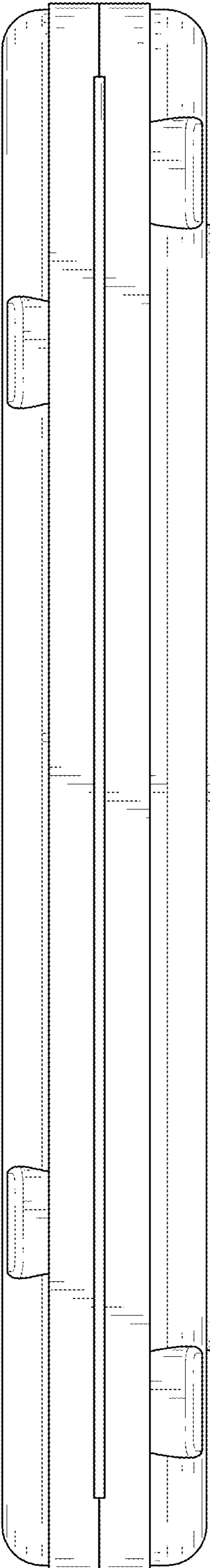


FIG. 2

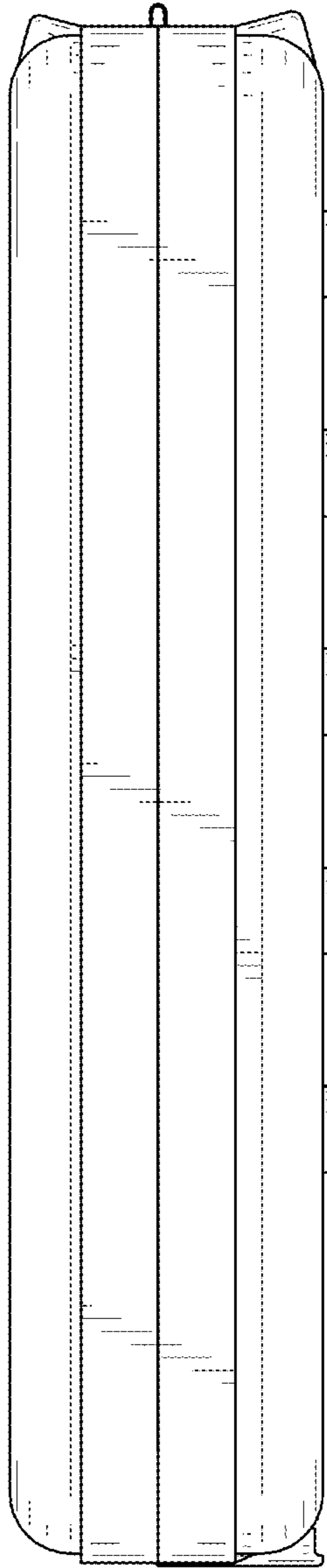


FIG. 3

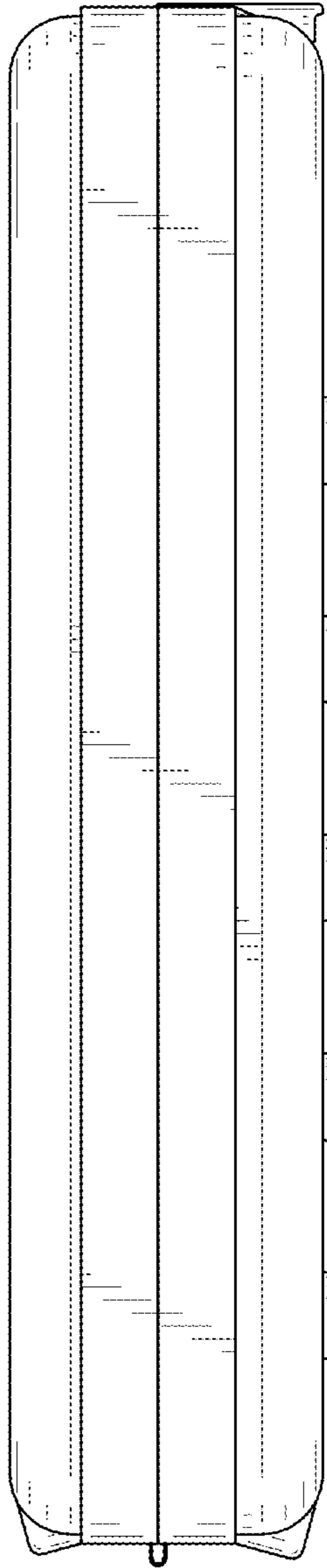


FIG. 4

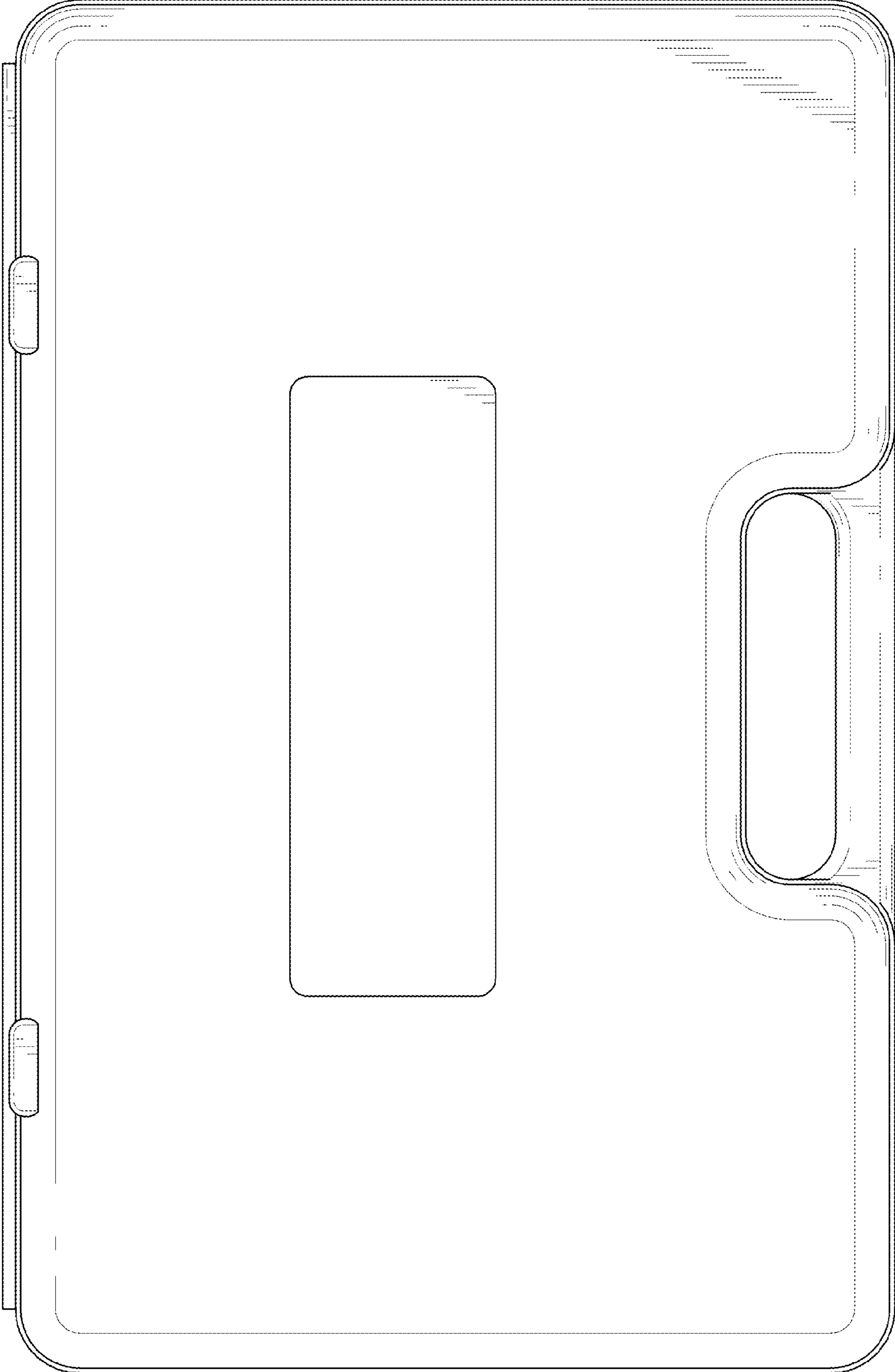


FIG. 5

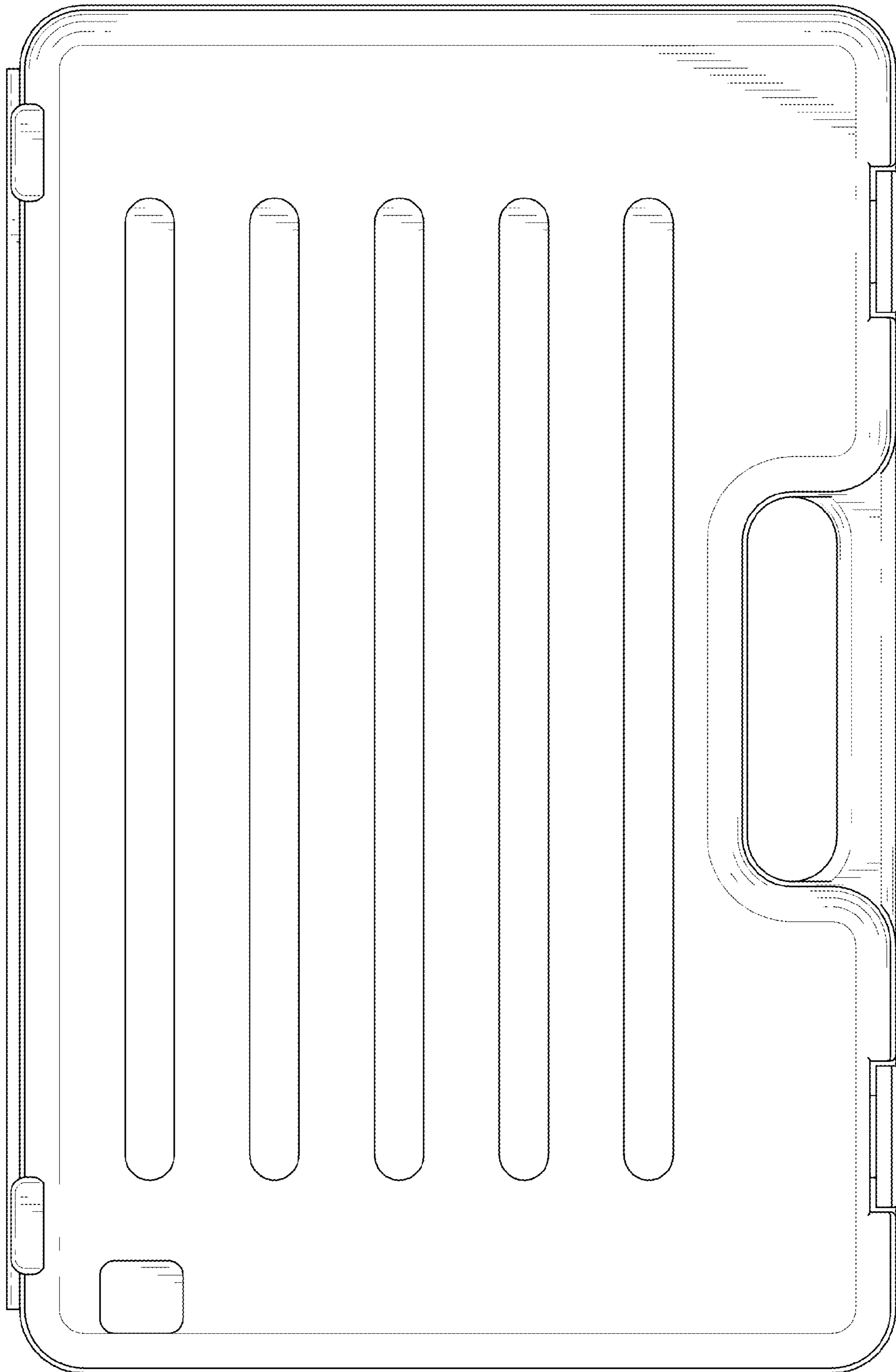


FIG. 6



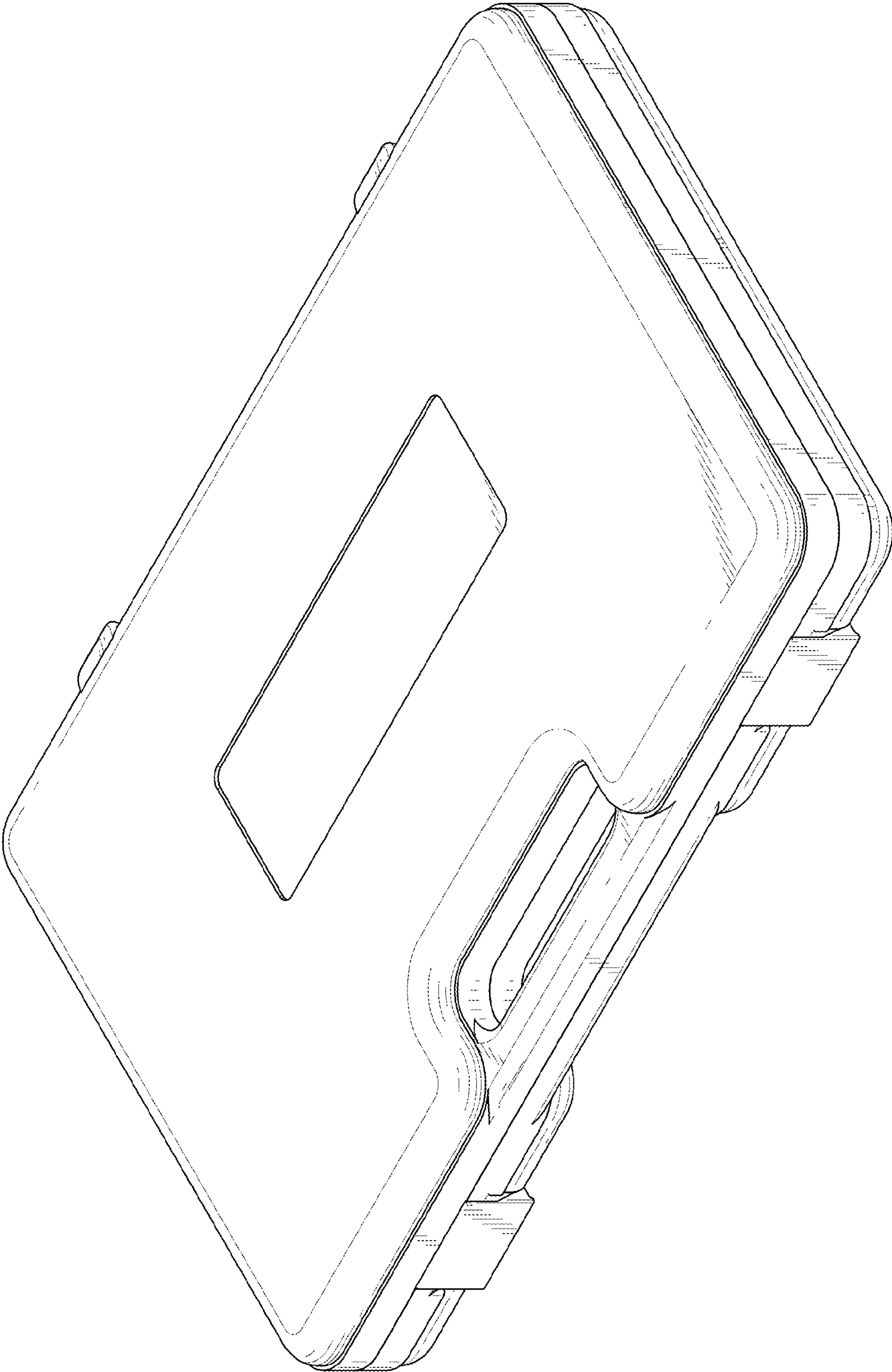


FIG. 7

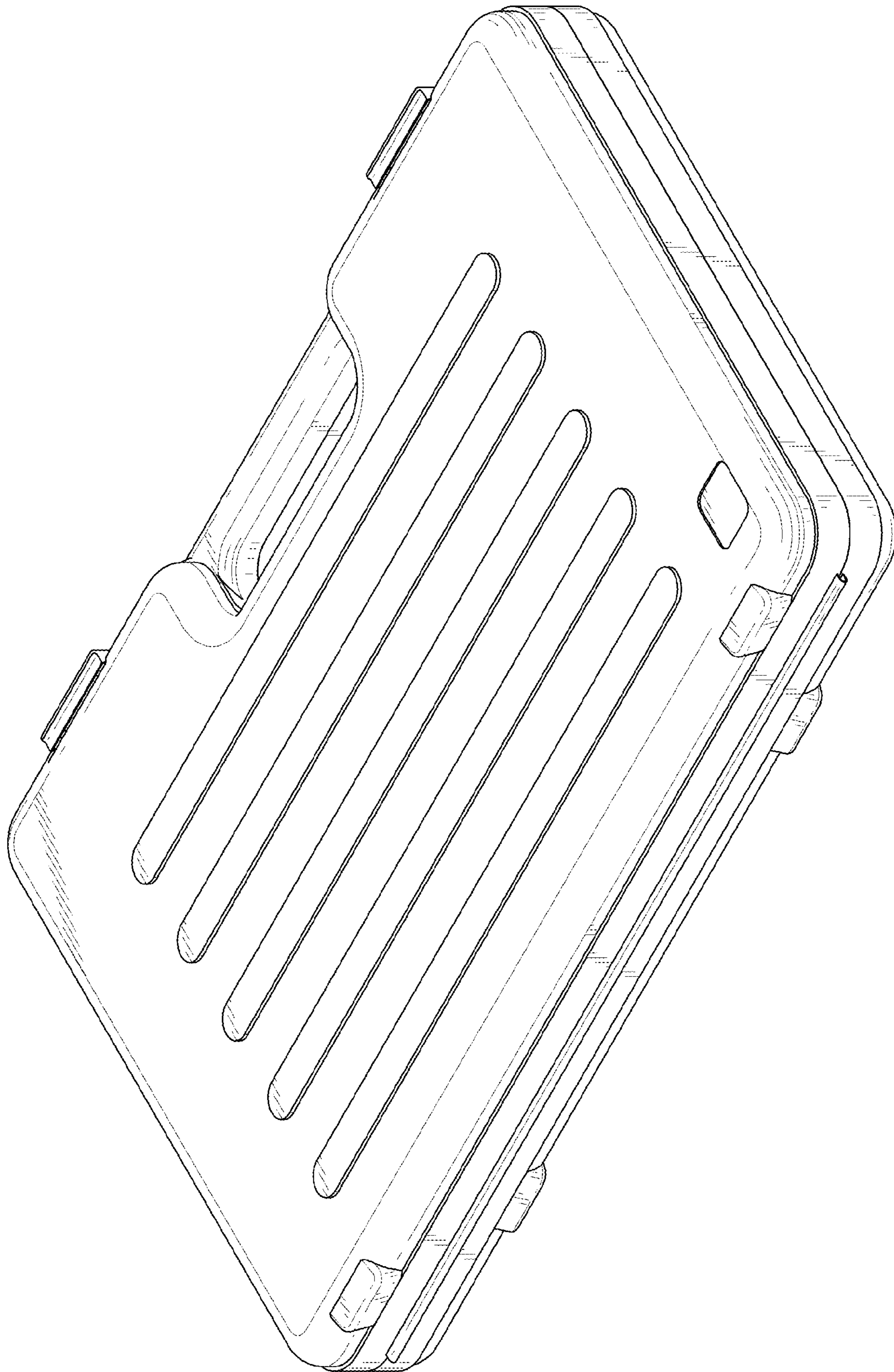


FIG. 8

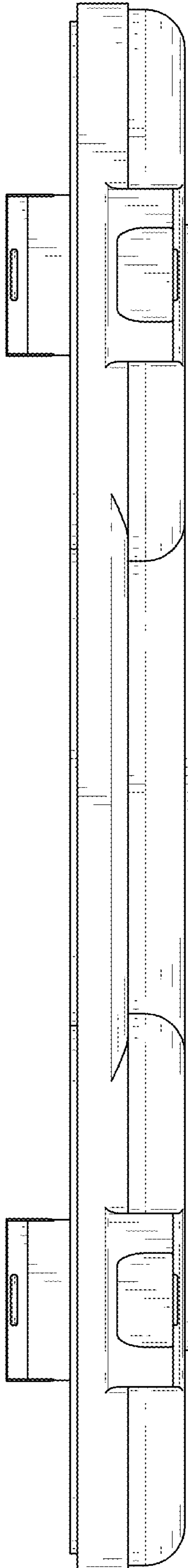


FIG. 9

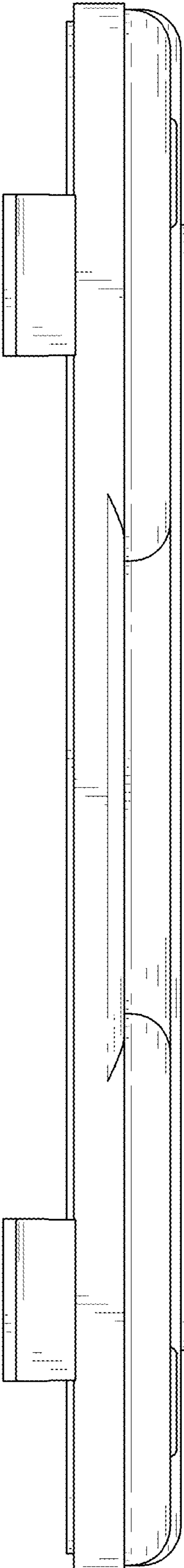


FIG. 10

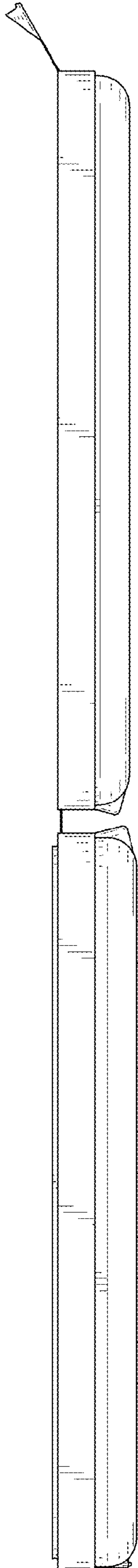


FIG. 11

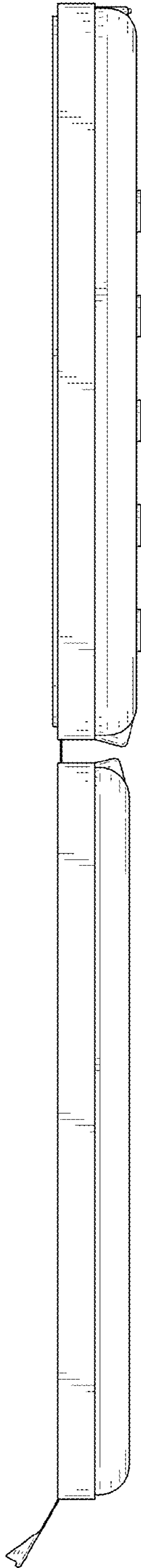


FIG. 12

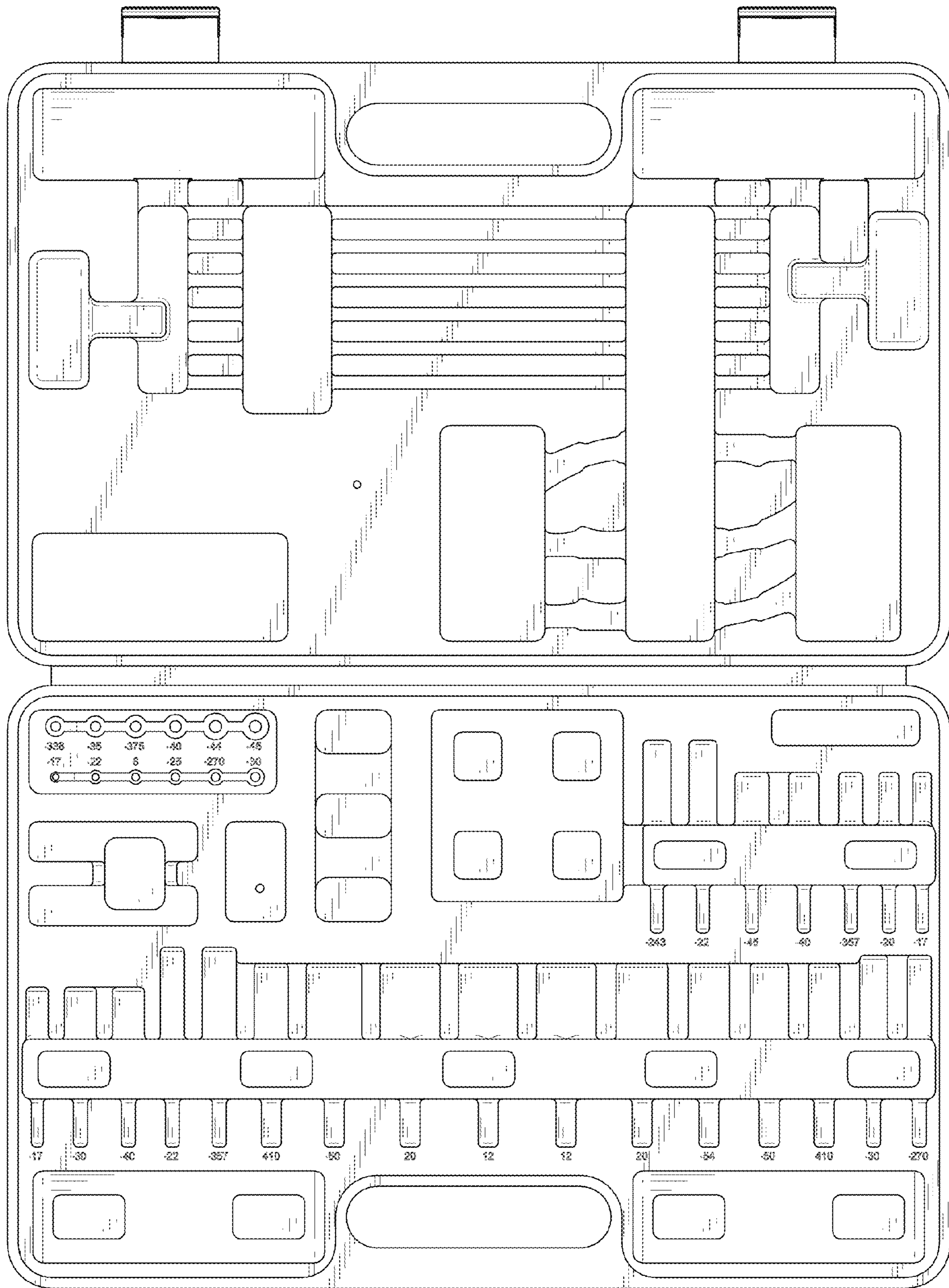


FIG. 13

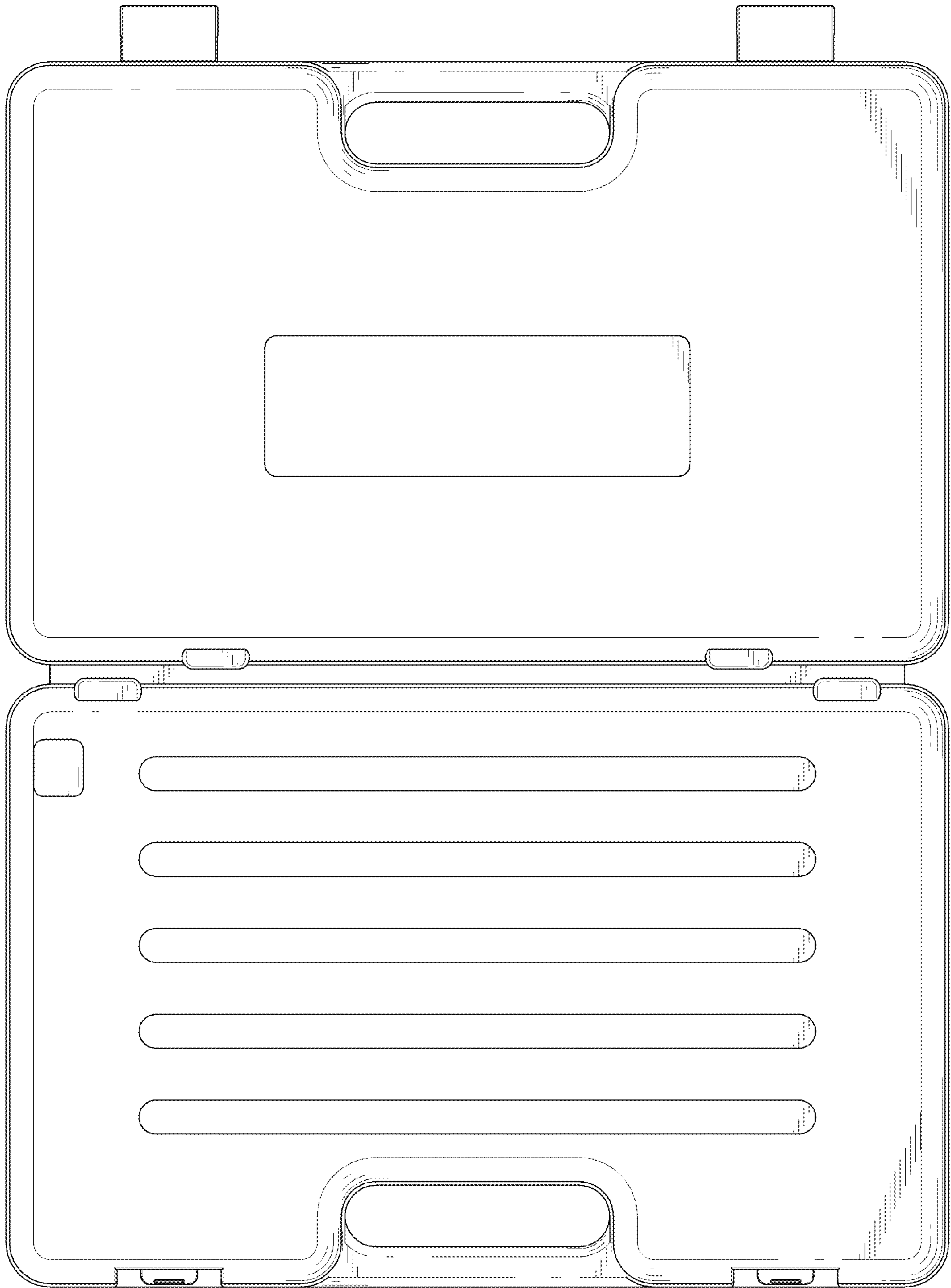


FIG. 14



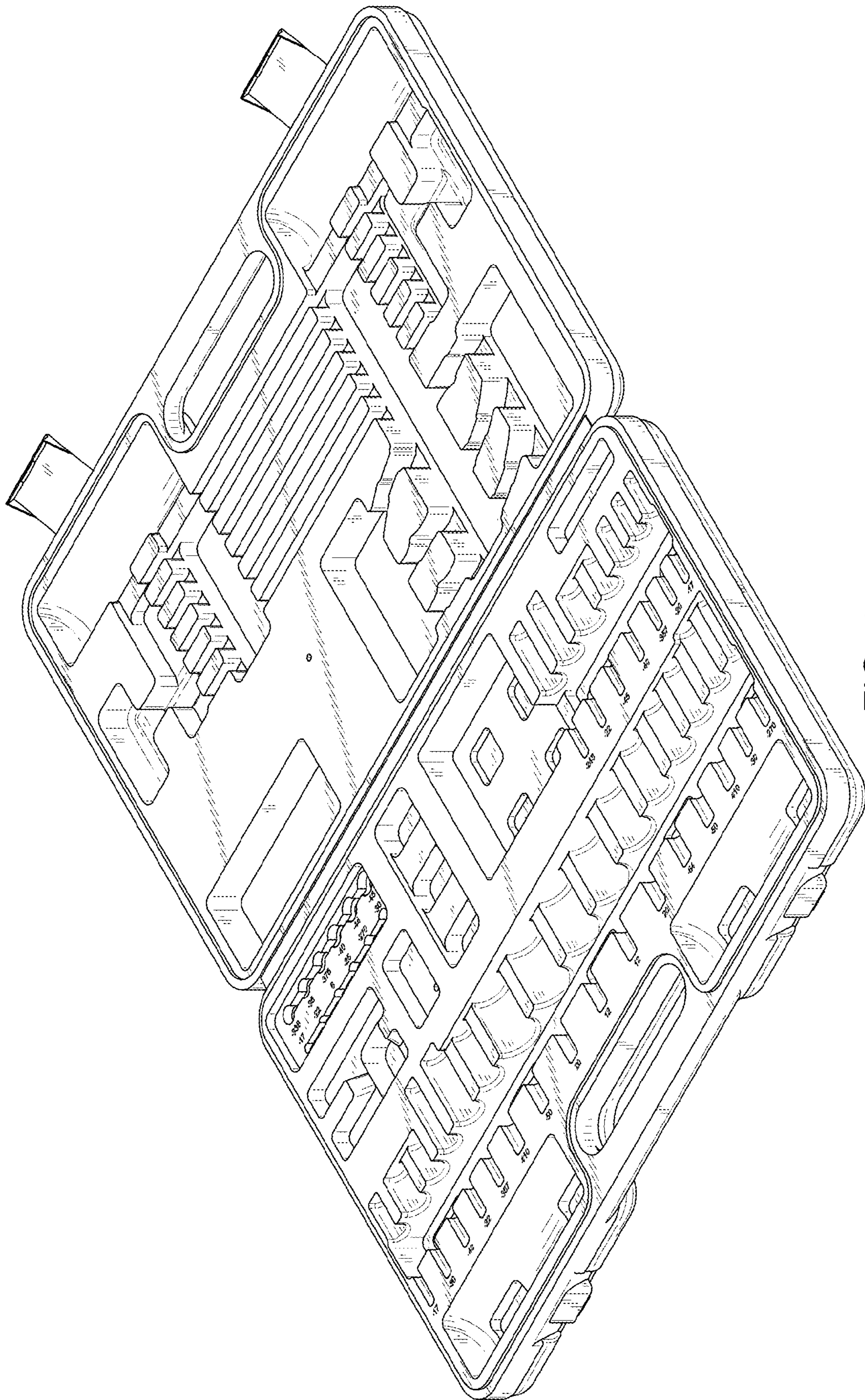


FIG. 15

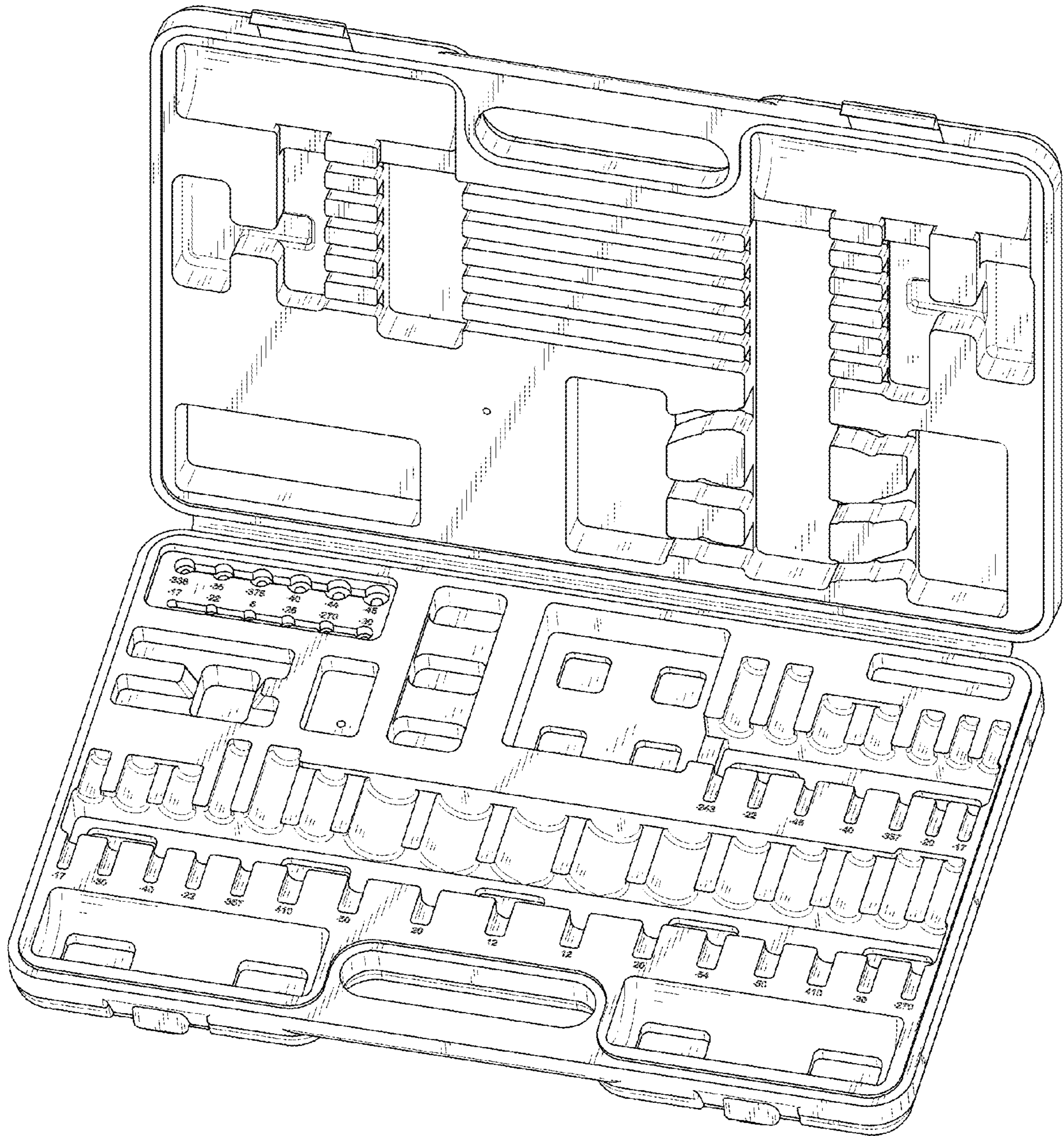


FIG. 16