



US00D891768S

(12) **United States Design Patent**
McGowan

(10) **Patent No.:** **US D891,768 S**
(45) **Date of Patent:** **** Aug. 4, 2020**

(54) **REEL BOX FOR A FLY ROD HOLDER**

DESCRIPTION

- (71) Applicant: **RiverSmith Inc.**, Boulder, CO (US)
- (72) Inventor: **John McGowan**, Boulder, CO (US)
- (73) Assignee: **RiverSmith Inc.**, Boulder, CO (US)
- (**) Term: **15 Years**
- (21) Appl. No.: **29/664,170**
- (22) Filed: **Sep. 21, 2018**
- (51) **LOC (12) Cl.** **03-01**
- (52) **U.S. Cl.**
USPC **D3/260**
- (58) **Field of Classification Search**
USPC D3/201, 221, 254, 260, 262, 273, 294
CPC A01K 97/08; A01K 97/00
See application file for complete search history.

(56) **References Cited**

U.S. PATENT DOCUMENTS

D160,520 S	10/1950	Mowat	
2,591,674 A	4/1952	Chalker	
2,650,449 A *	9/1953	Suring A01K 97/08 43/26

(Continued)

OTHER PUBLICATIONS

Fly_rod_safe, "Thanks Reeses", Instagram, Dec. 21, 2016, www.instagram.com/p/BOS_L7blm39, 1 pg.

(Continued)

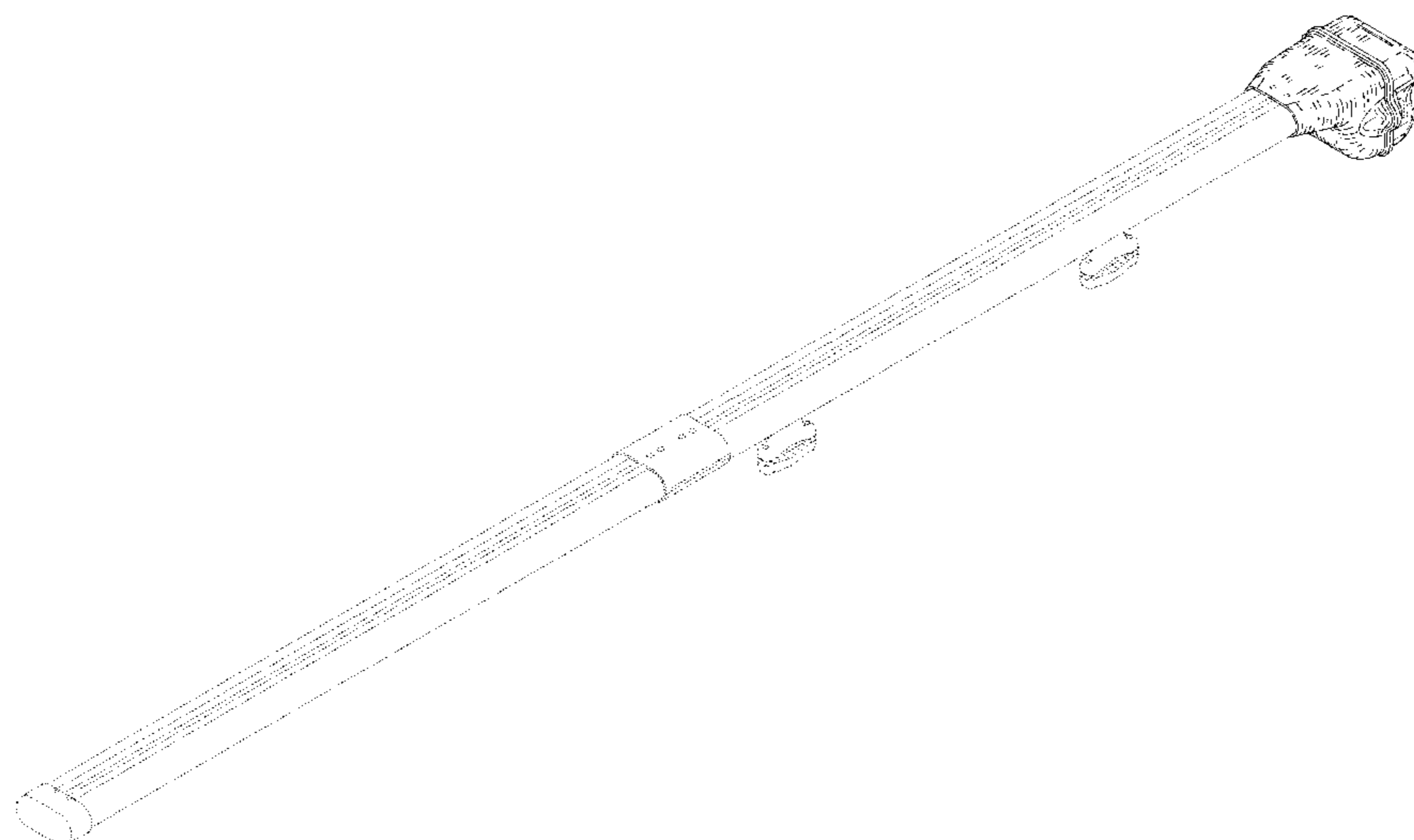
Primary Examiner — Mitchell I. Siegel

(57) **CLAIM**

The ornamental design for a reel box for a fly rod holder, as shown and described.

FIG. 1 is a first perspective view of a first embodiment of a reel box for a fly rod holder according to the present disclosure;
 FIG. 2 is a left elevation view of the reel box for a fly rod holder of FIG. 1;
 FIG. 3 is a right elevation view of the reel box for a fly rod holder of FIG. 1;
 FIG. 4 is a top plan view of the reel box for a fly rod holder of FIG. 1;
 FIG. 5 is a bottom plan view of the reel box for a fly rod holder of FIG. 1;
 FIG. 6 is a rear elevation view of the reel box for a fly rod holder of FIG. 1;
 FIG. 7 is a front elevation view of the reel box for a fly rod holder of FIG. 1;
 FIG. 8 is a second perspective view of the reel box for a fly rod holder of FIG. 1 in a closed position;
 FIG. 9 is the second perspective view of the reel box for a fly rod holder of FIG. 1 in an open position;
 FIG. 10 is a first perspective view of a second embodiment of a reel box for a fly rod holder according to the present disclosure;
 FIG. 11 is a left elevation view of the reel box for a fly rod holder of FIG. 10;
 FIG. 12 is a right elevation view of the reel box for a fly rod holder of FIG. 10;
 FIG. 13 is a top plan view of the reel box for a fly rod holder of FIG. 10;
 FIG. 14 is a bottom plan view of the reel box for a fly rod holder of FIG. 10;
 FIG. 15 is a rear elevation view of the reel box for a fly rod holder of FIG. 10;
 FIG. 16 is a front elevation view of the reel box for a fly rod holder of FIG. 10;
 FIG. 17 is a second perspective view of the reel box for a fly rod holder of FIG. 10 in a closed position; and,
 FIG. 18 is the second perspective view of the reel box for a fly rod holder of FIG. 10 in an open position.
 The broken lines depict portions of the reel box for a fly rod holder that form no part of the claimed design.

1 Claim, 12 Drawing Sheets



(56)

References Cited

U.S. PATENT DOCUMENTS

2,749,645 A * 6/1956 McKern A01K 97/06
43/26
2,902,790 A * 9/1959 Harvey A01K 97/08
43/26
3,349,512 A 10/1967 Walker
3,772,819 A 11/1973 Ratzlaff
3,811,216 A 5/1974 Sauey et al.
4,170,801 A 10/1979 Ward
4,171,588 A 10/1979 Hoffman et al.
D254,696 S * 4/1980 Adams D3/260
D268,547 S * 4/1983 Ruckstuhl D3/260
4,493,416 A 1/1985 Steinman
D284,423 S 7/1986 McCallum
D294,883 S 3/1988 McMillin
4,967,504 A * 11/1990 Craft A01K 97/08
43/26
D316,327 S * 4/1991 Craft D3/260
5,046,279 A 9/1991 Smith et al.
D320,694 S 10/1991 Brant
D321,281 S * 11/1991 Cooper D3/260
5,341,590 A * 8/1994 Hepworth A01K 97/08
206/315.11
5,404,670 A 4/1995 Noll
5,425,194 A 6/1995 Miller
D382,398 S * 8/1997 Bazen D3/260
D394,951 S * 6/1998 Bazen D3/260
D395,360 S 6/1998 Schrader, Jr.
5,836,103 A 11/1998 Taylor
D410,333 S 6/1999 Coca
5,937,568 A * 8/1999 Morgan A01K 97/08
43/21.2
5,960,950 A 10/1999 Meeker et al.
6,062,382 A 5/2000 Czerkie
D451,670 S 12/2001 Knorr et al.
D458,747 S * 6/2002 Hiels D3/260
6,408,564 B1 6/2002 Murphy
6,450,333 B1 9/2002 McClenahan et al.
6,668,481 B2 * 12/2003 Garcia A01K 97/08
43/26
6,760,994 B2 * 7/2004 Henault A01K 97/08
206/315.11
D530,085 S * 10/2006 Quinnan D3/260
D653,446 S * 2/2012 Bode D3/260
10,375,944 B2 * 8/2019 Smigaj B60R 9/08
2002/0020644 A1 2/2002 Belanger

OTHER PUBLICATIONS

Welsh, Corbin, corbin_welsh, "Fixed the Brat up", Instagram, Sep. 21, 2017, www.instagram.com/p/BZU_Ix4DIHU, 1 pg.
Fly_rod_safe, "We exist to provide the best", Instagram, Dec. 17, 2017, www.instagram.com/p/Bc1DwnUggX4/?utm_source=ig, 1 pg.

Fly_rod_safe, "Introducing the Uncompahgre", Instagram, Dec. 18, 2017, www.instagram.com/p/Bc3A1IcAjz, 1 pg.
Voyles, Scott, troutops, "If you are looking for a rod vault", Instagram, Jan. 14, 2018, www.instagram.com/p/Bd8wIIEFO2i, 1 pg.
Davies, Joseph, tilted3.0, "@trxstle is changing the game", Instagram, Jan. 15, 2018, www.instagram.com/p/Bd_XjxLhJmR/, 2 pgs.
Bogle, Jeff, jeffboglephotosandflies, "Ladies and gentleman", Instagram, Mar. 10, 2018, www.instagram.com/p/BgKJYweHR9X/, 2 pgs.
Bogle, Jeff, jeffboglephotosandflies, "Project time!", Instagram, Mar. 10, 2018, www.instagram.com/p/BgJe6kxHgR2/, 1pg.
Palm, Jordan, jordanpalm, "My DIY fly rod vault." Instagram, Mar. 18, 2018, www.instagram.com/p/BgeuTcKBq0g/, 1 pg.
Hanson, Chris, chrisjhanson, "If you see a Rubicon", Instagram, Apr. 9, 2018, www.instagram.com/p/BhWm2Y3H1W4/, 1 pg.
SpencerBrown311, "The grey ghost is ready", Instagram, Apr. 22, 2018, www.instagram.com/p/Bh4Ie4CALdQ/, 1 pg.
Thomas, Dylan, troutbum207, "What's goin down in the vault today", Instagram, Apr. 22, 2018, www.instagram.com/p/Bh4x7WVHrIZ/, 1 pg.
Hanson, Chris, chrisjhanson, "A look inside", Instagram, Apr. 23, 2018, www.instagram.com/p/Bh7r7zCHjRh/, 1 pg.
Philbrook, Daniel, danphilbr00k, "Threw the #rodvault on", Instagram, Apr. 23, 2019, www.instagram.com/p/Bh7zuQwnJk-/, 1 pg.
Monaco, Mike, monaco730, "#diy #flyfishing #rodvault", Instagram, May 5, 2018, www.instagram.com/p/BiafmxDF15m/, 1 pg.
Sauerbrey, Sage, tehsager, "One of my latest pursuits", Instagram, May 30, 2018, www.instagram.com/p/BjaqY9xn3qh/, 1 pg.
Bird, Kevin, kevinbird360, "My home made rod vault.", Instagram, Jun. 3, 2018, www.instagram.com/p/BjITaJuA_Gg/, 1 pg.
Rentthisrod, "Homemade rod vault for the win.", Instagram, Aug. 6, 2018, www.instagram.com/p/BmJb3CIH6LK/, 1 pg.
Ladefoged, Steven, scummy_steve, "Huge shout out", Instagram, Aug. 24, 2018, <https://www.instagram.com/p/Bm4KsiGHImv/>, 1 pg.
Carter, Brady, sugarfreebc, "I made a thing", Instagram, Aug. 24, 2018, <https://www.instagram.com/p/Bm493CXIGVX/>, 1 pg.
Kangaltck, "#kangal #sivaskuafor", Instagram, Oct. 9, 2018, www.instagram.com/p/BotrVIZIOOm/, 1 pg.
Rudolph, Jon, rockymtnlovelander, "The point of arrival", Instagram, Nov. 1, 2018, www.instagram.com/p/BpmpEvNHJ9h/, 1 pg.
TetonGravity.com Forum Thread, "Weekend Project Idea—Rod Case for Vehicle", 2010, 35 pgs., <https://www.tetongravity.com/forums/showthread.php/186529-Weekend-project-idea-rod-case-for-vehicle>.
TetonGravity.com Forum Thread, "Semi-Custom Dual Rod/Reel Holders", 2010, 77 pgs., <https://www.tetongravity.com/forums/showthread.php/192171-Semi-Custom-Dual-rod-reel-holders>.
Blue Quill Angler Blog, "Titan Rod Vault—Rod Transport System", Sep. 21, 2009, 1 pg., <https://bluequillangler.wordpress.com/2009/09/21/titan-rod-vault-rod-transport-system/>.
TitanRodVault.com, "The Titan Rod Vault is the latest innovation in rod transporting.", 2008, 1 pg., <http://web.archive.org/web/20080712172048/http://www.titanrodvault.com:80/>.

* cited by examiner

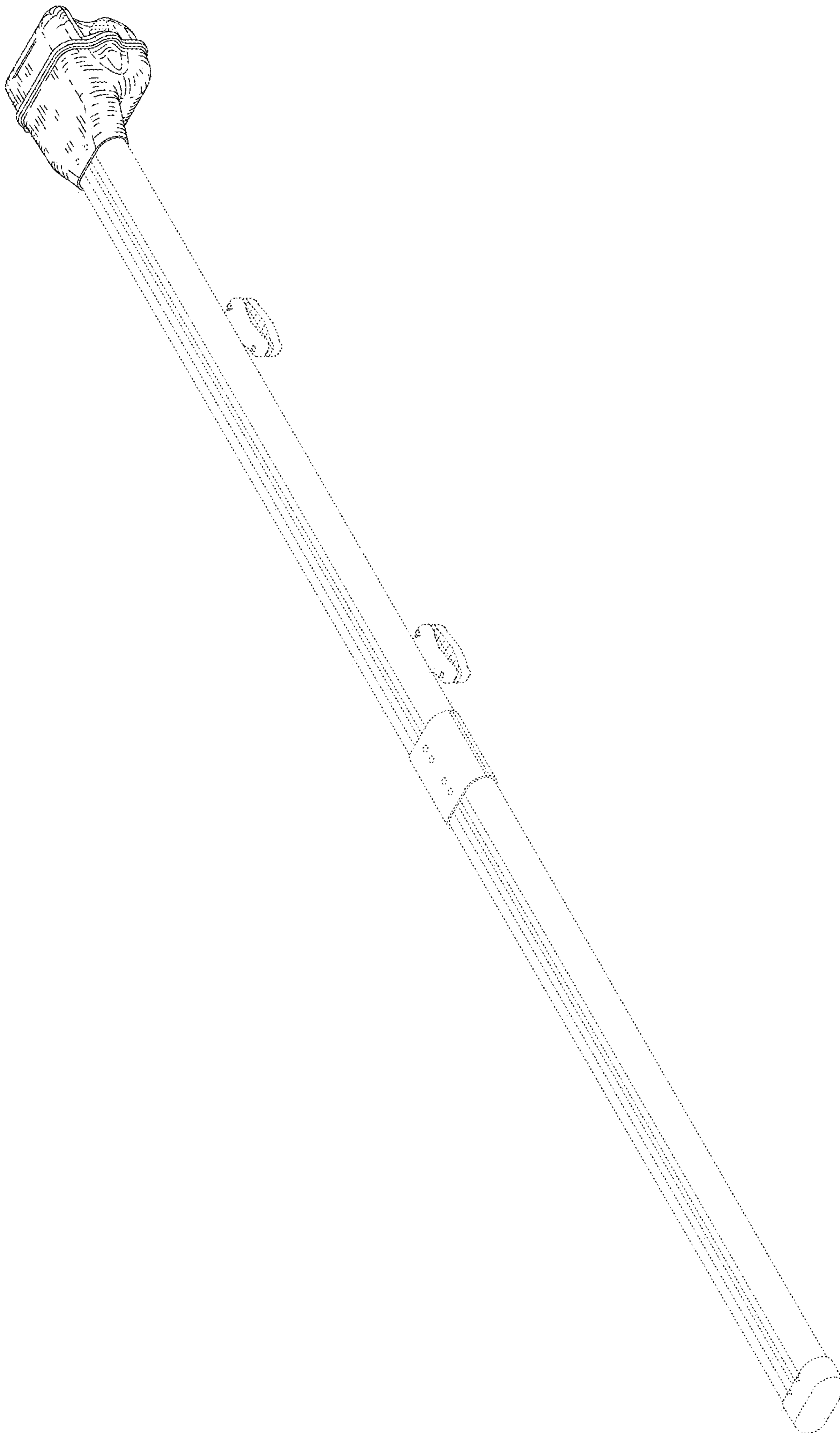


FIG. 1

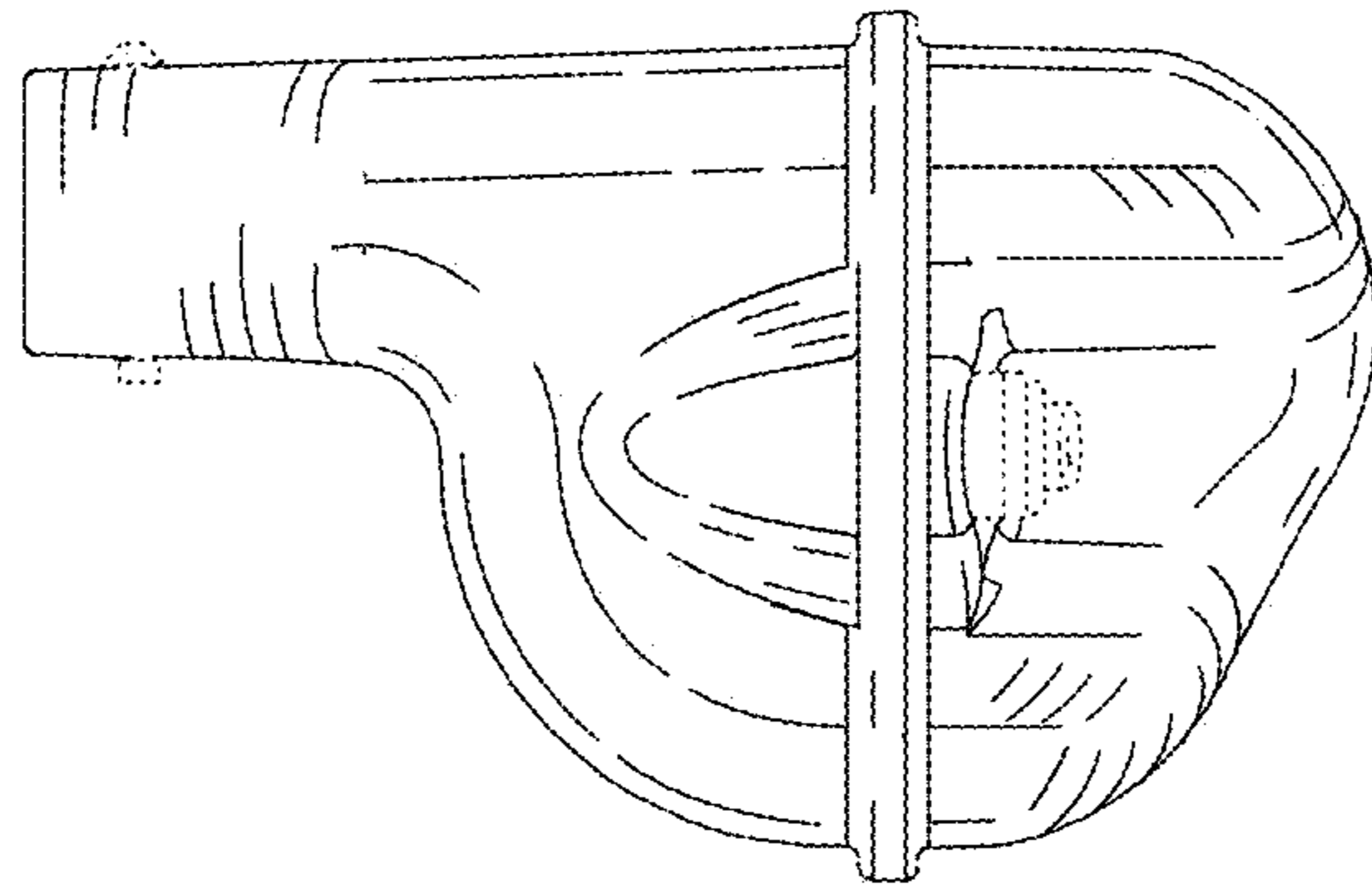


FIG. 2

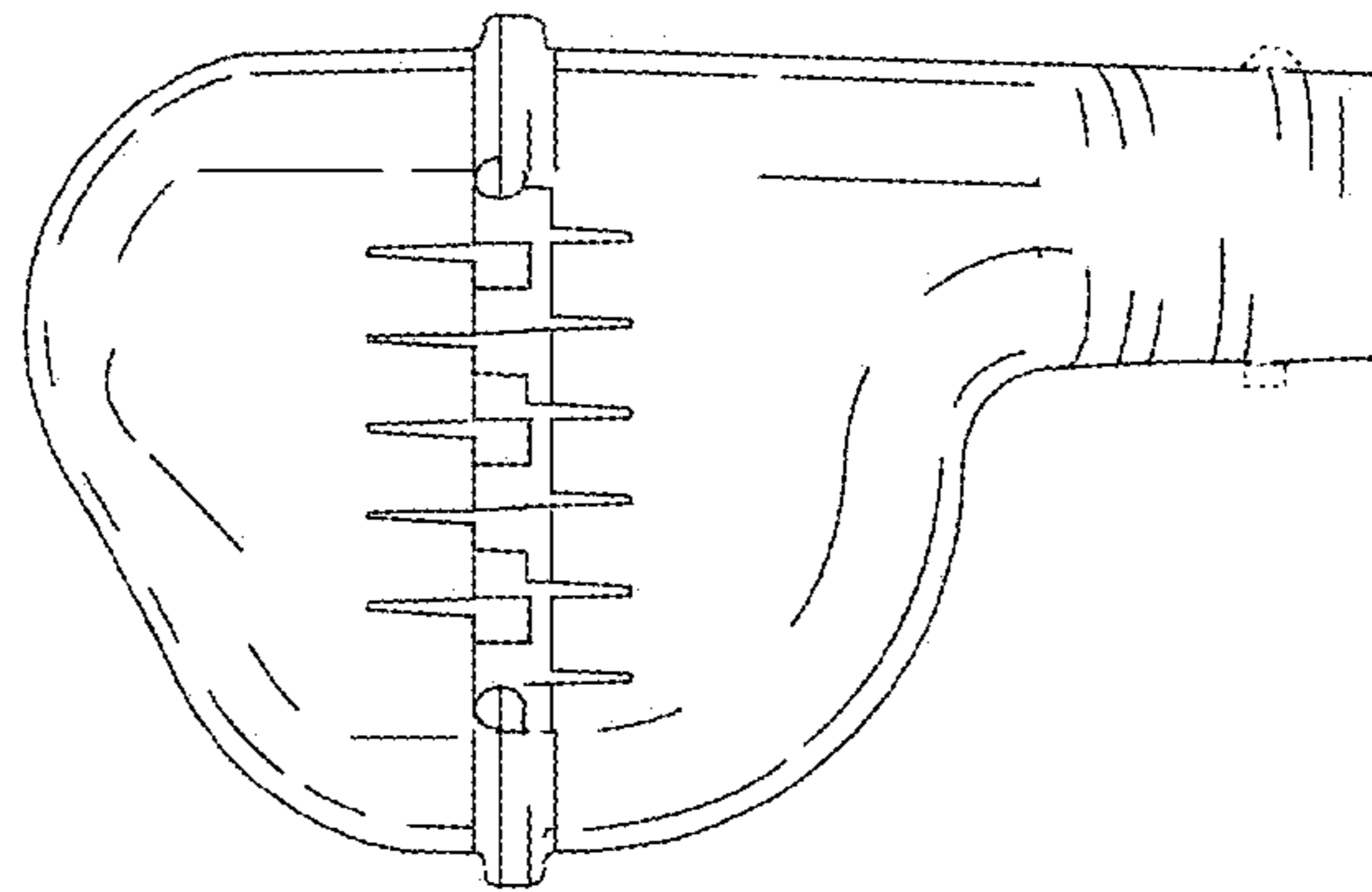


FIG. 3

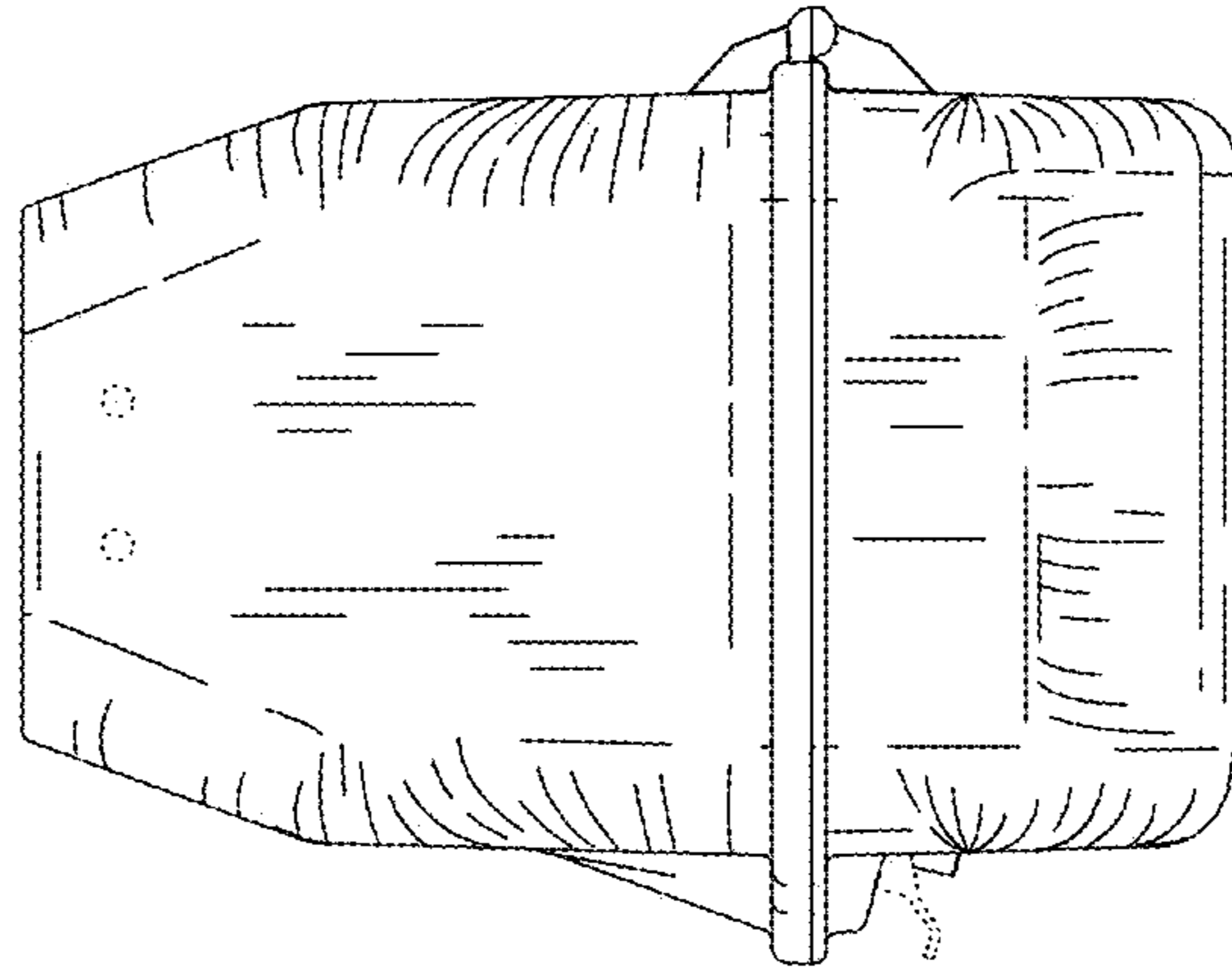


FIG. 4

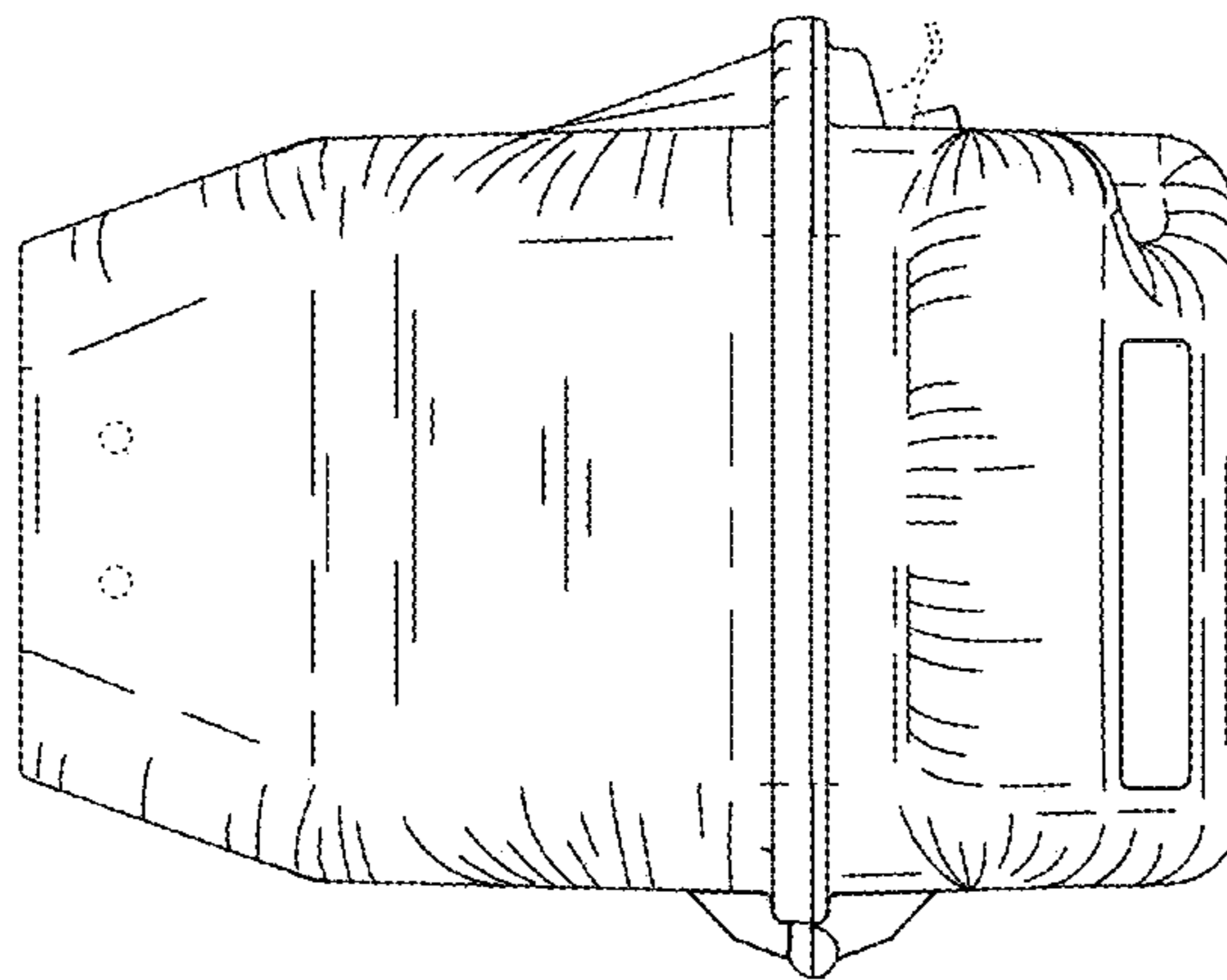


FIG. 5

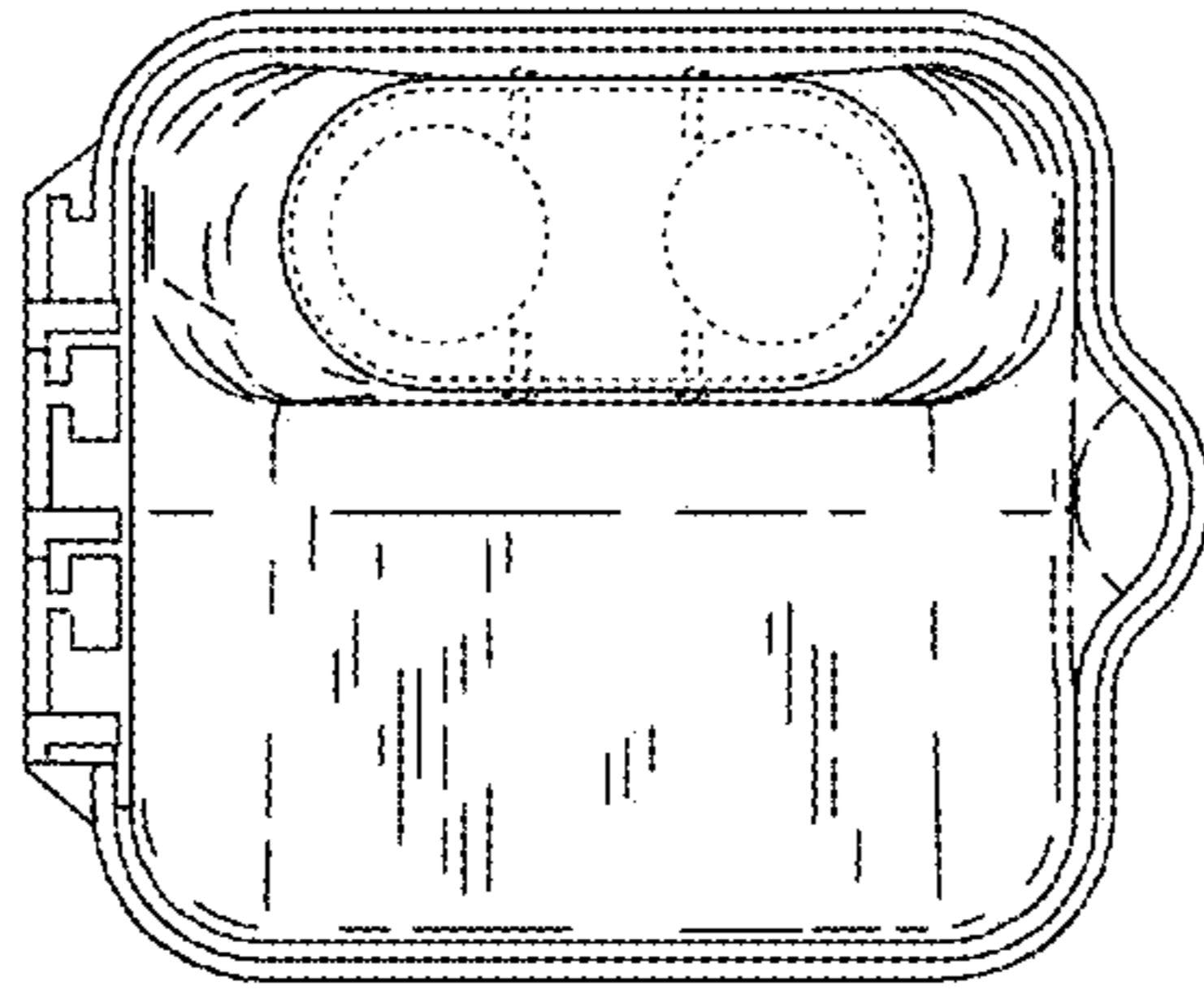


FIG. 6

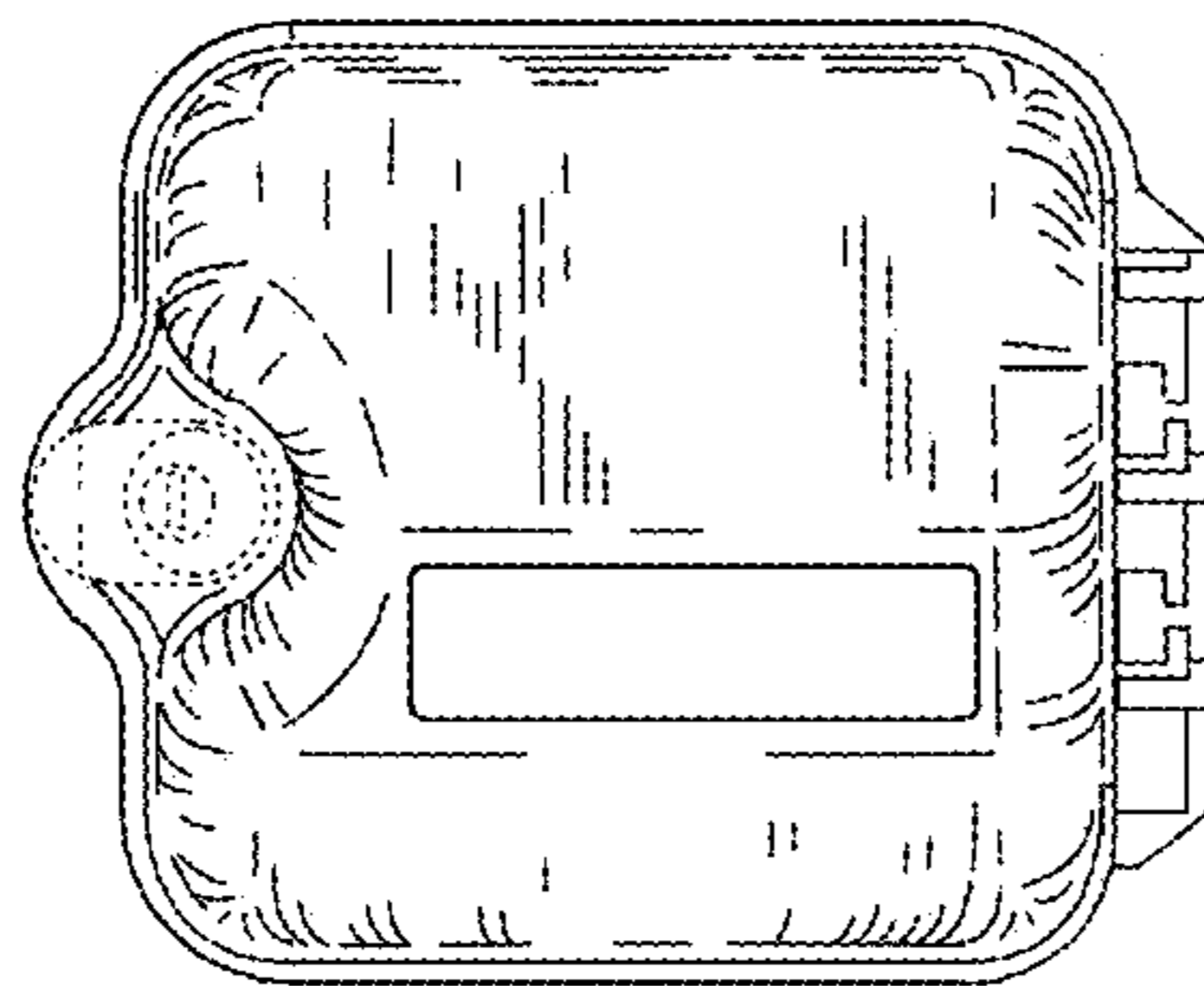


FIG. 7

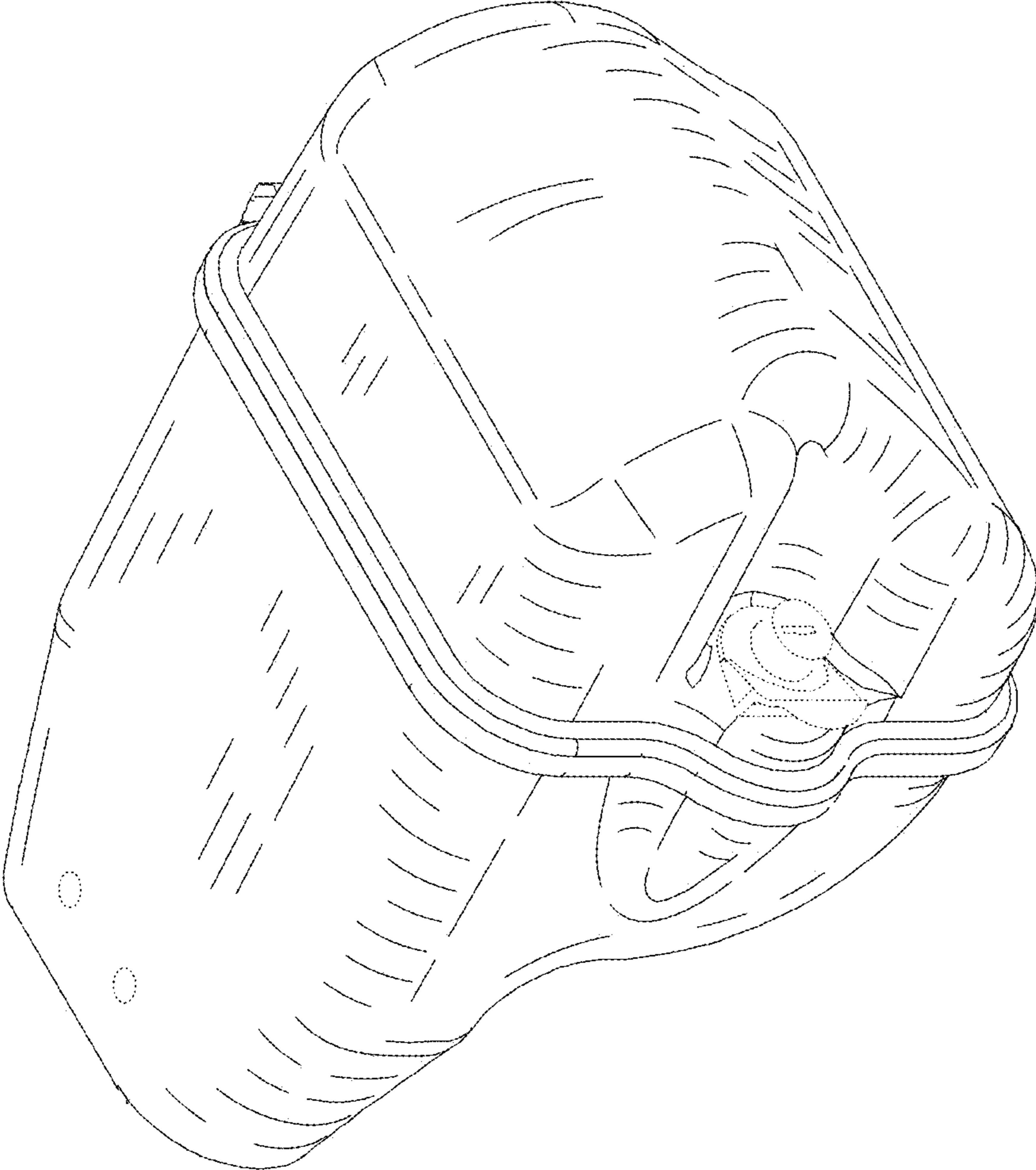


FIG. 8

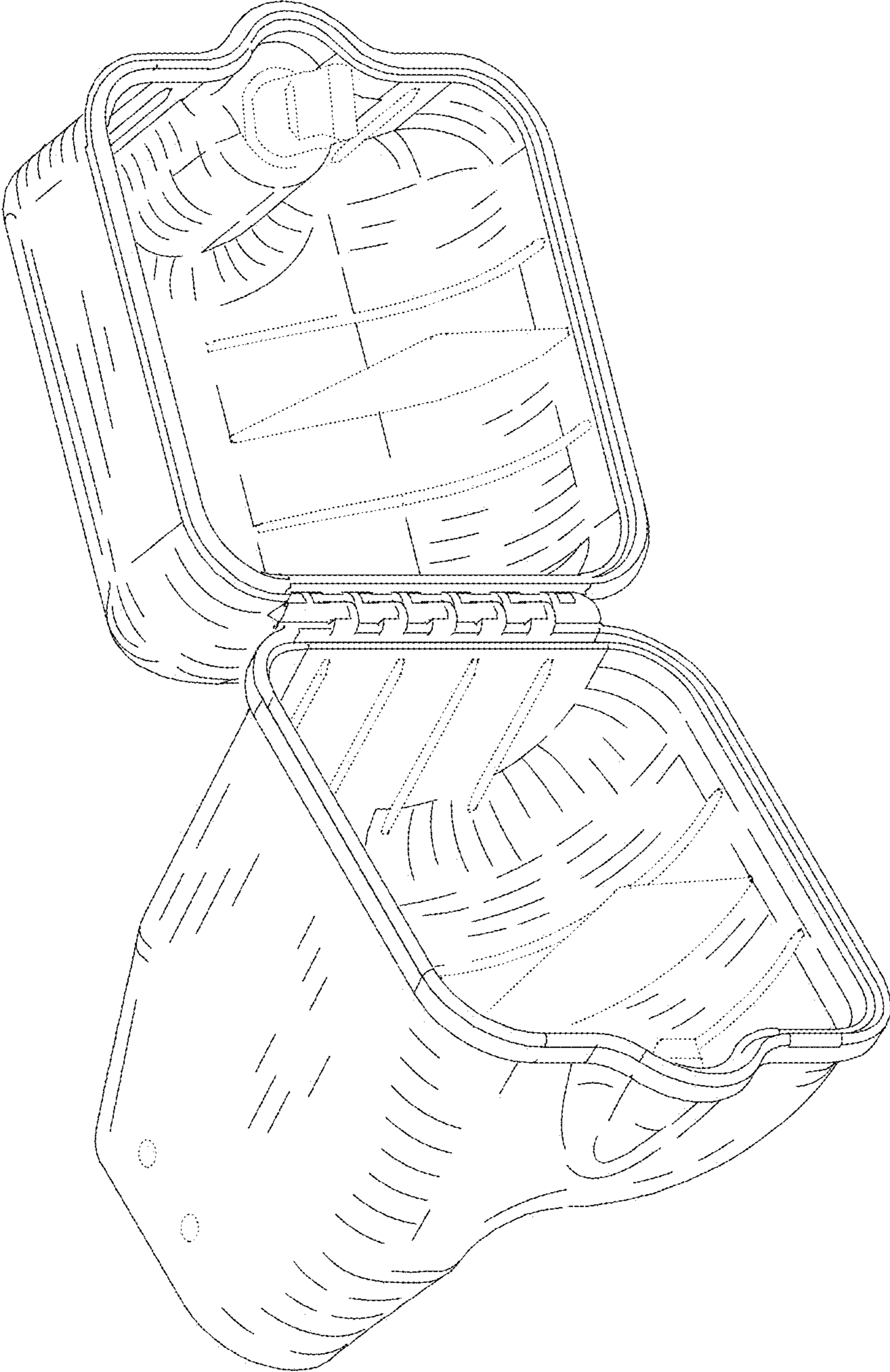


FIG. 9

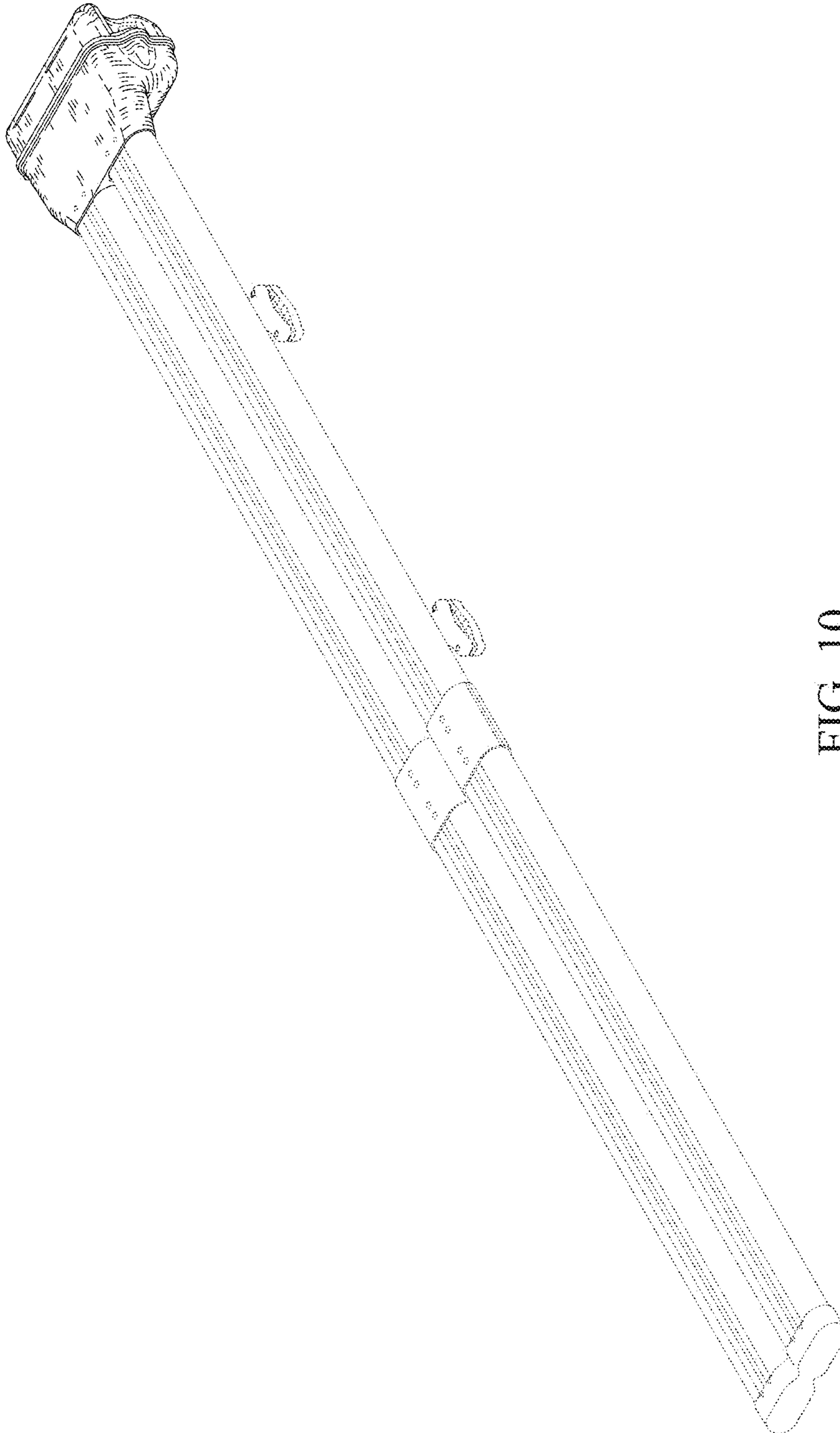


FIG. 10

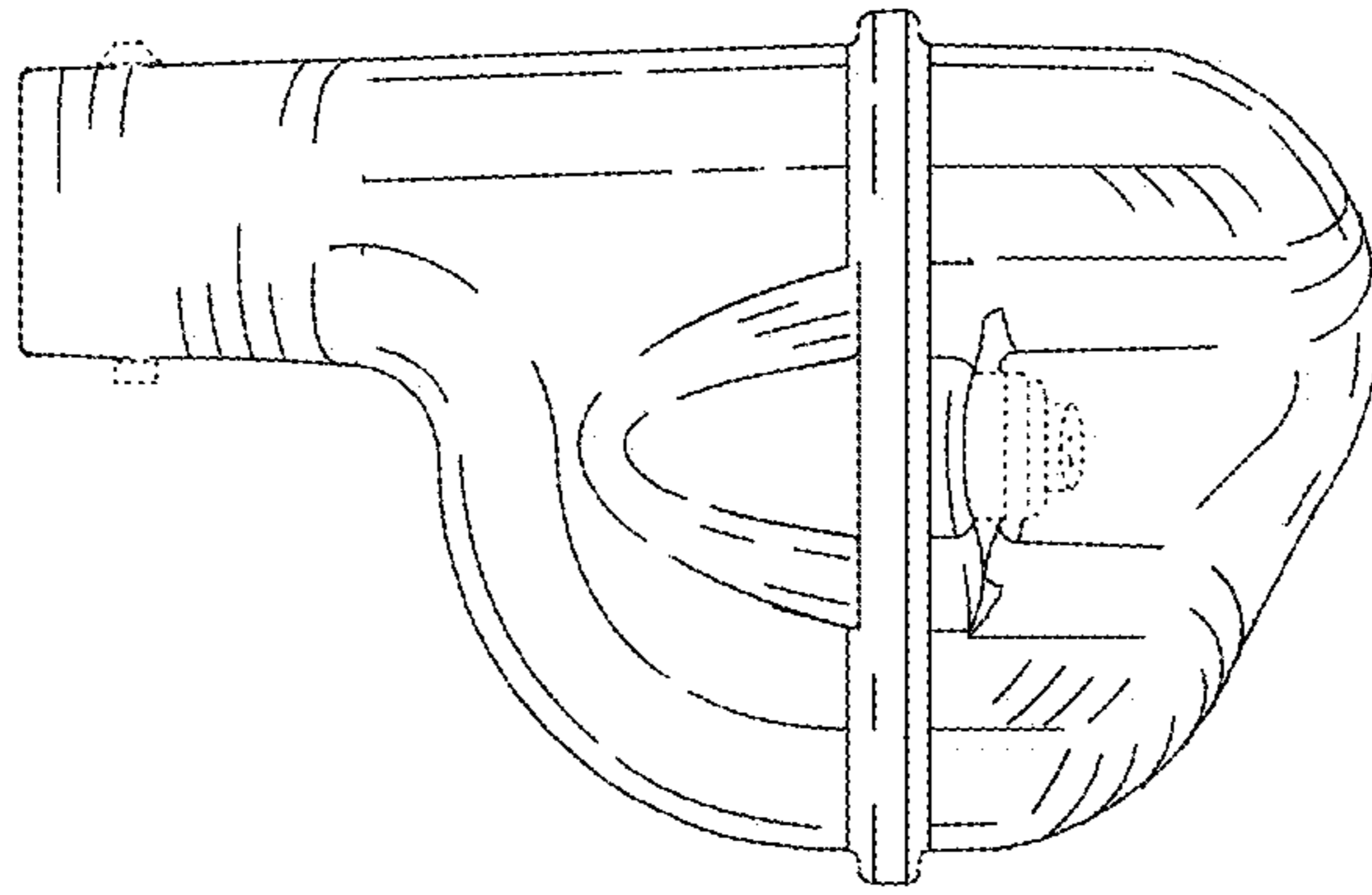


FIG. 11

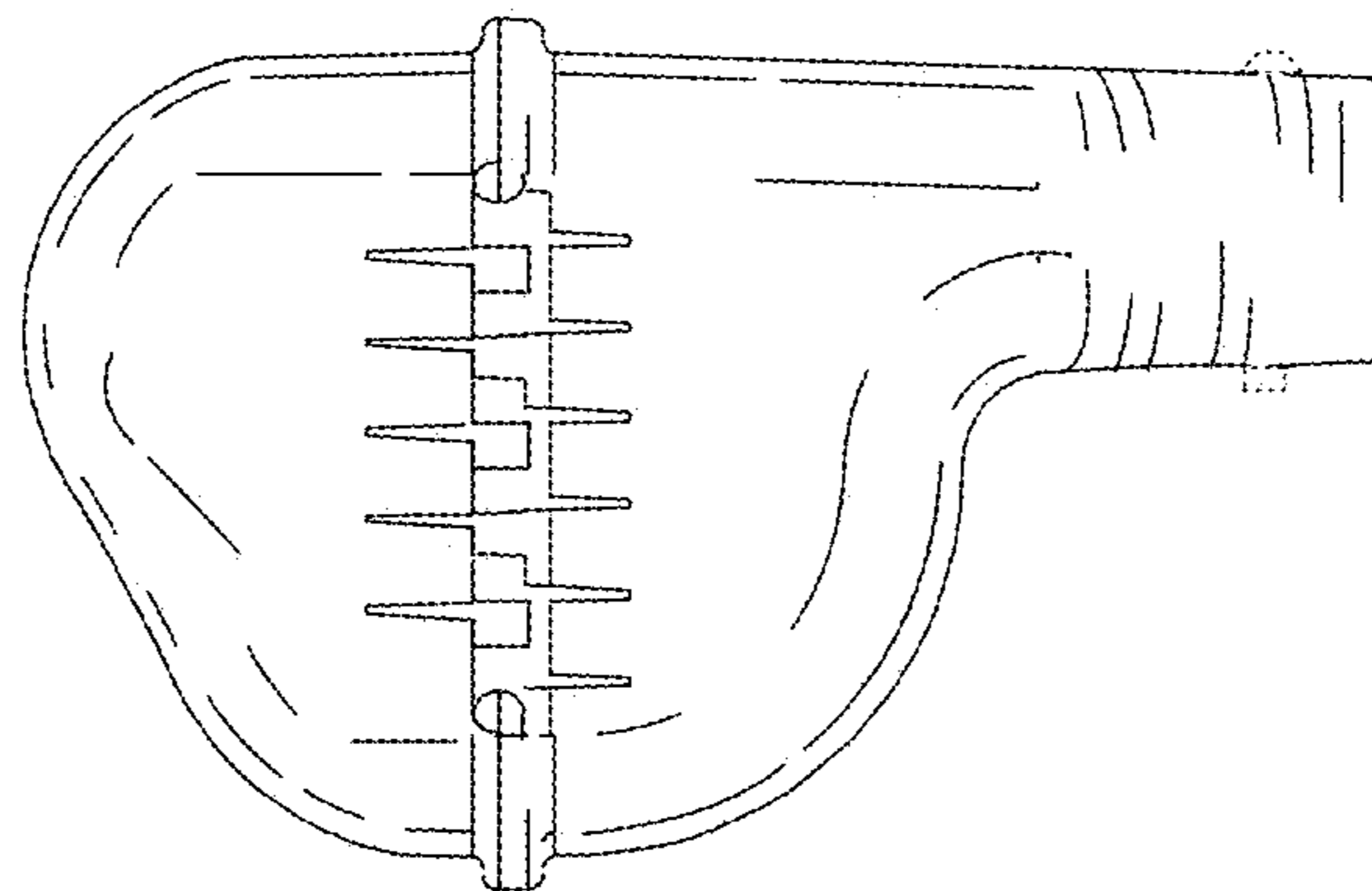


FIG. 12

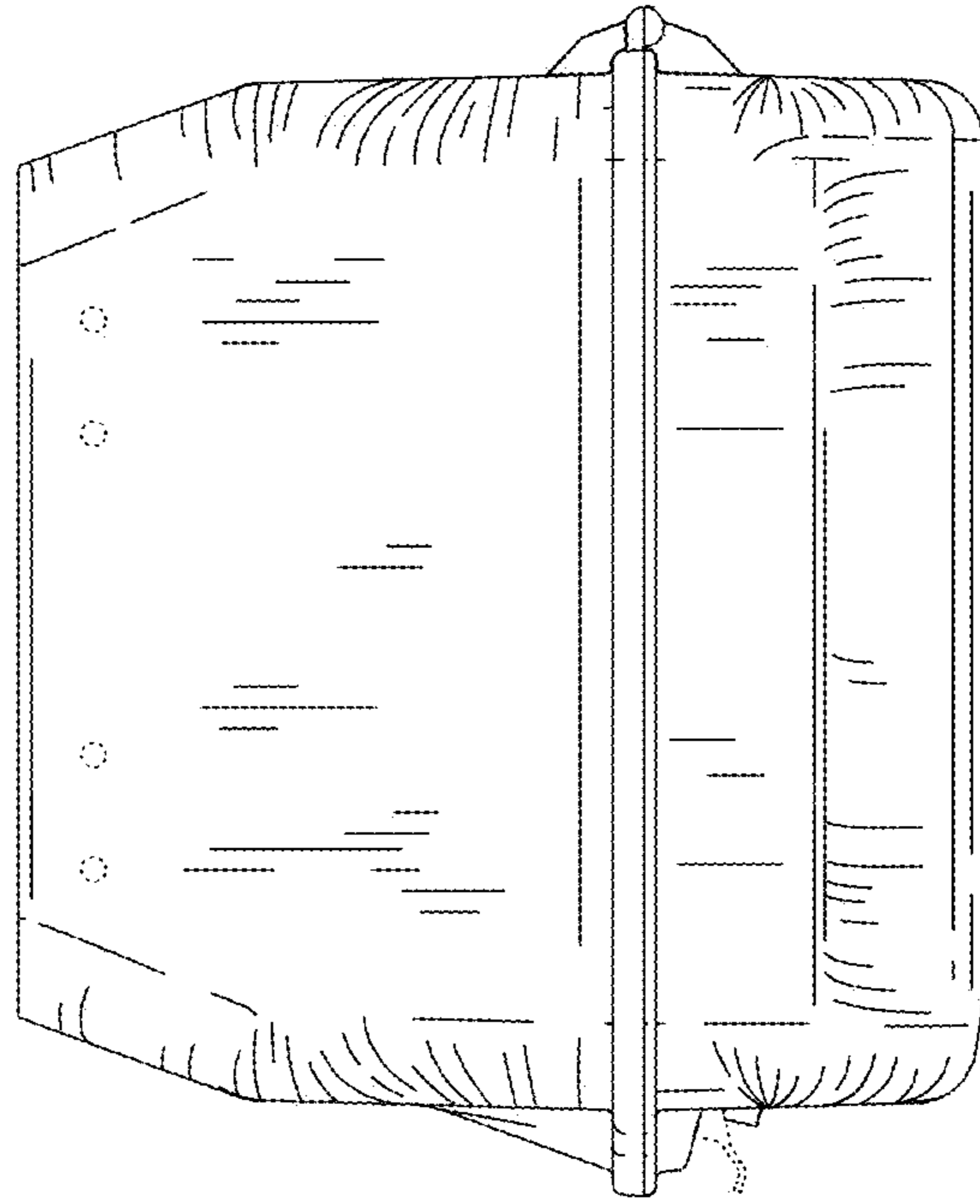


FIG. 13

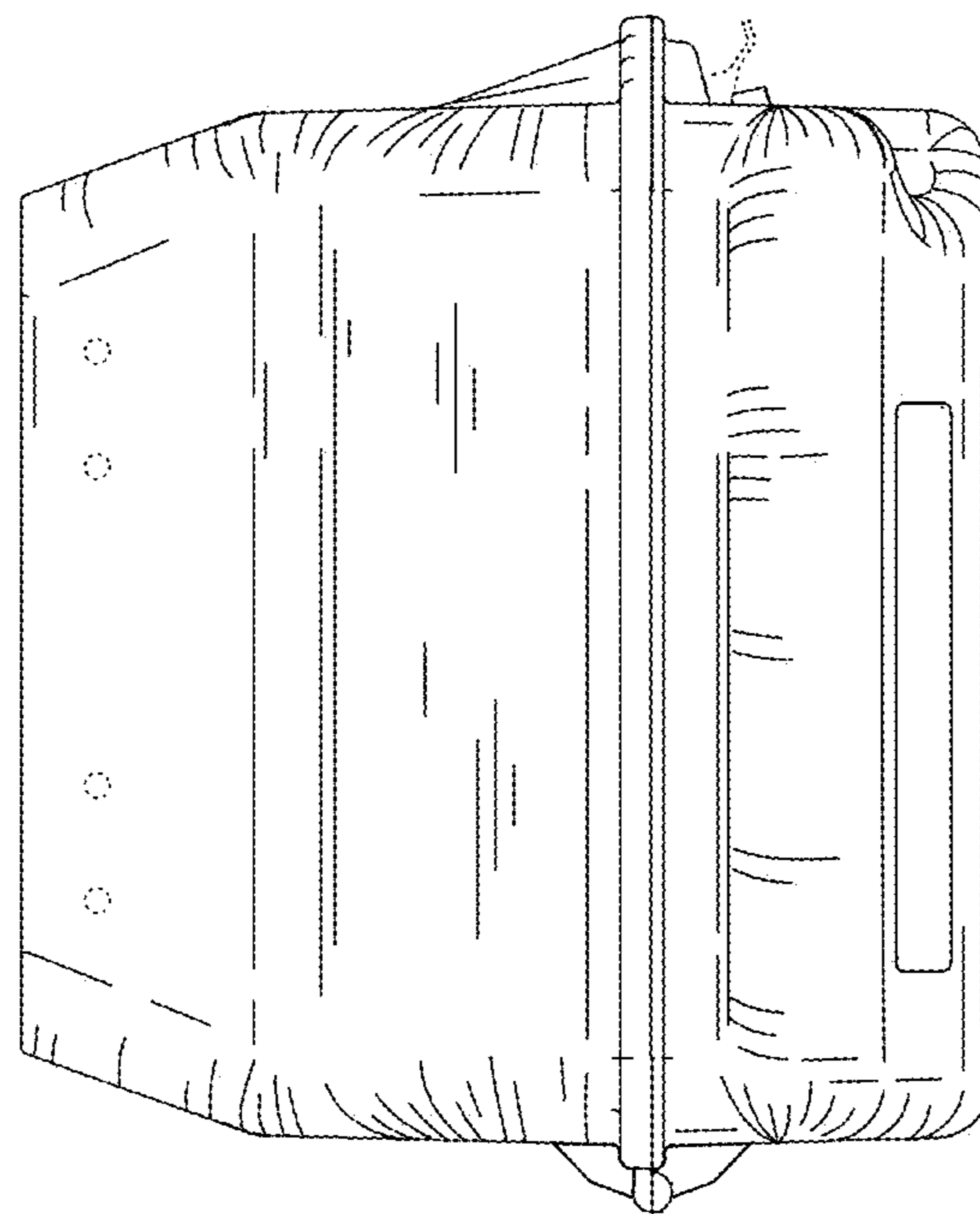


FIG. 14

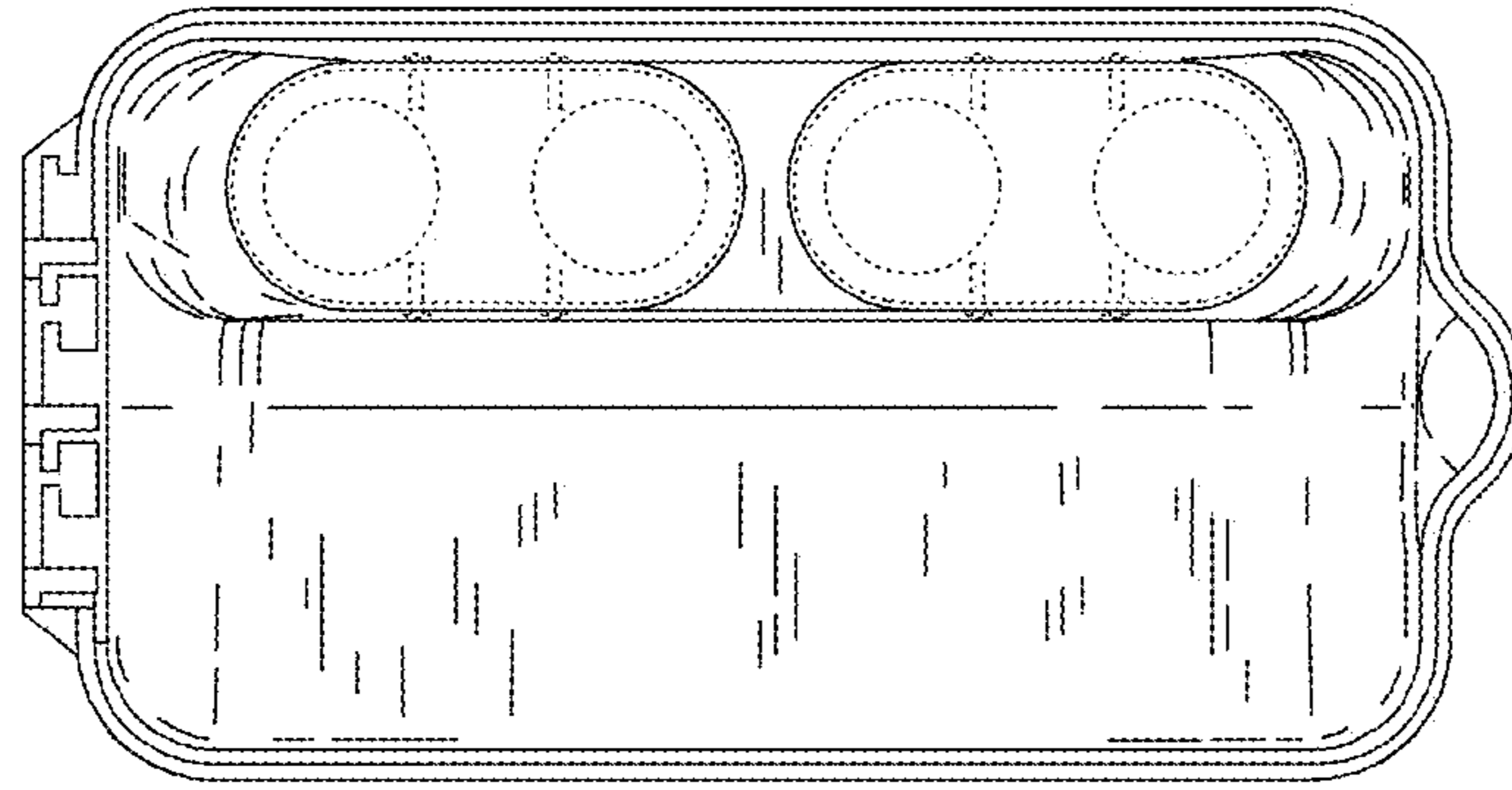


FIG. 15



FIG. 16

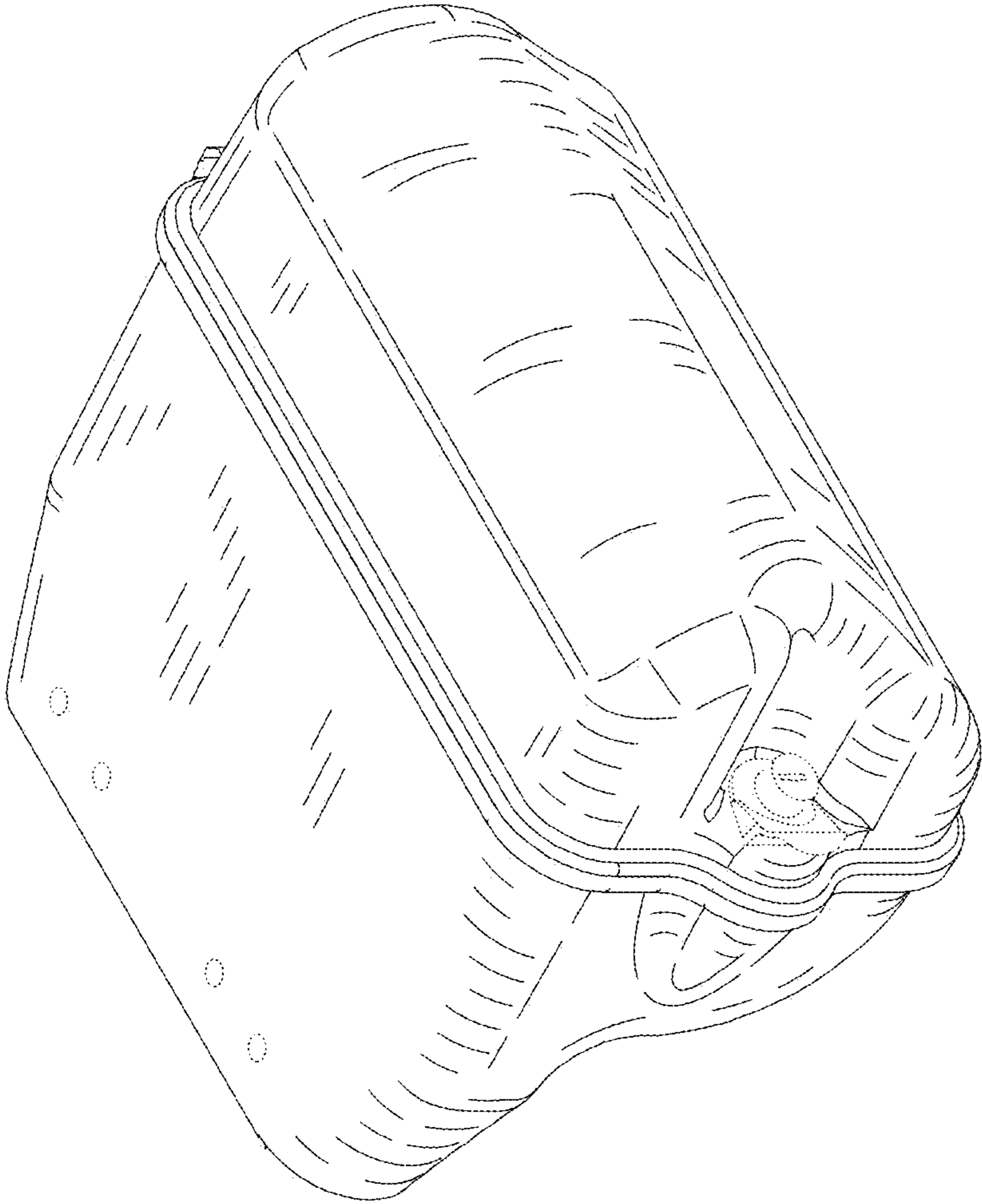


FIG. 17

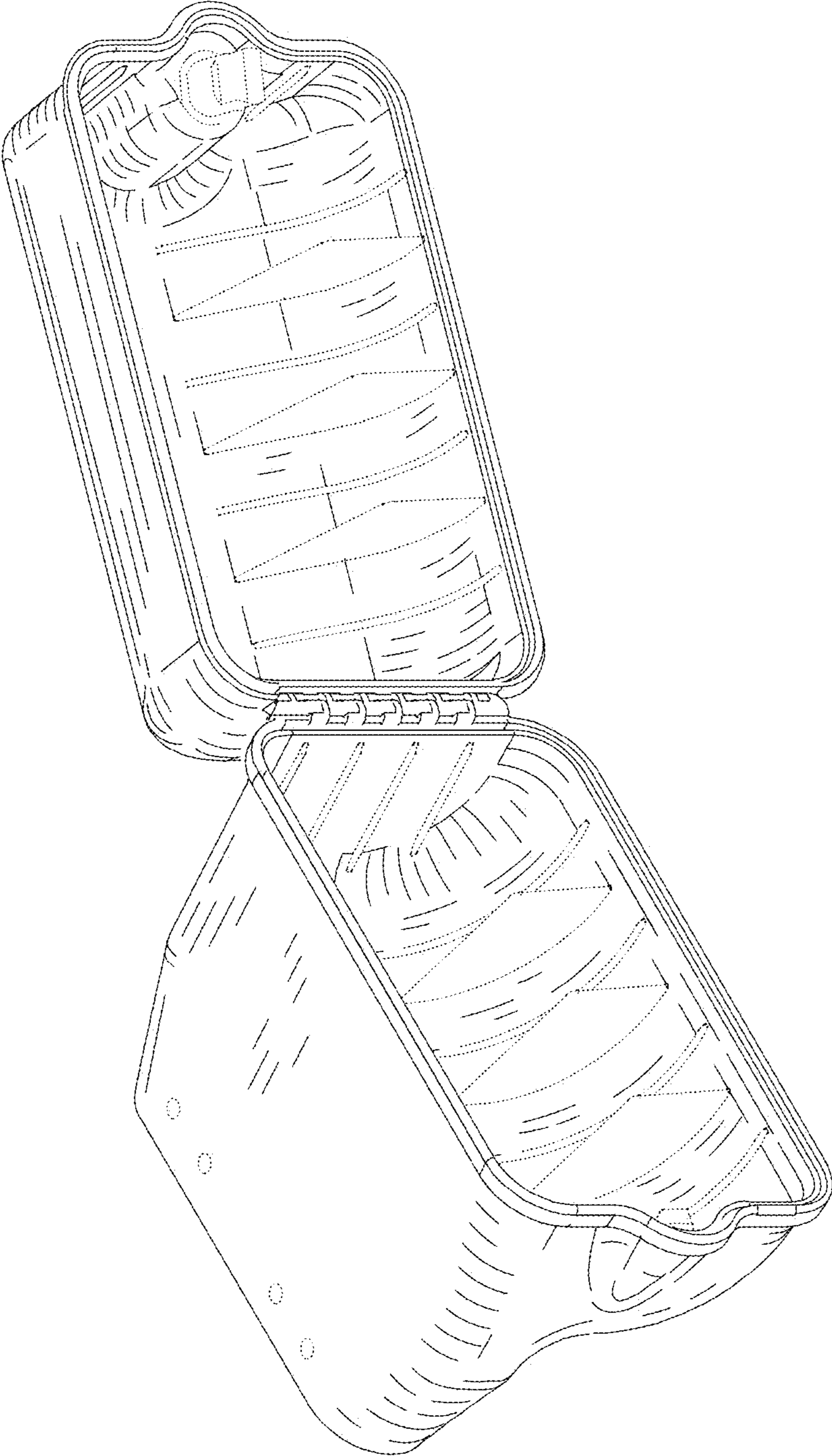


FIG. 18