



US00D891760S

(12) **United States Design Patent**  
**Eremita**

(10) **Patent No.:** **US D891,760 S**

(45) **Date of Patent:** **\*\* Aug. 4, 2020**

(54) **VERTICAL PHONE POUCH WITH CLOSURE AND BELT LOOP**

(71) Applicant: **Brian Eremita**, Sylmar, CA (US)

(72) Inventor: **Brian Eremita**, Sylmar, CA (US)

(\*\*) Term: **15 Years**

(21) Appl. No.: **29/678,237**

(22) Filed: **Jan. 27, 2019**

(51) **LOC (12) Cl.** ..... **03-01**

(52) **U.S. Cl.**  
USPC ..... **D3/218**

(58) **Field of Classification Search**  
USPC ..... D3/218, 215, 219, 301, 303, 269, 228;  
224/240-241, 245, 578, 674, 676-679,  
224/600, 605, 625, 930, 680-683, 901,  
224/904; 206/45.24, 305, 320; D14/248,  
D14/250-251, 253; 379/455; 455/575.1,  
455/575.8  
CPC ..... A45F 3/02; A45F 3/14; A45F 5/00; A45F  
5/02; A45F 5/021; A45F 2200/05; A45F  
2200/0508; A45F 2200/0516; A45F  
2200/0525  
See application file for complete search history.

(56) **References Cited**

**U.S. PATENT DOCUMENTS**

D306,654 S \* 3/1990 Brown ..... D3/218  
D320,714 S \* 10/1991 Singley ..... 224/240

D368,800 S \* 4/1996 Shink ..... D3/218  
D451,094 S 11/2001 Powell  
D500,203 S 12/2004 Kim  
D606,738 S \* 12/2009 Hofer ..... D3/218  
D663,948 S \* 7/2012 Ito ..... D3/218  
D721,693 S 1/2015 Lee et al.  
D721,694 S 1/2015 Lee et al.  
D725,643 S 3/2015 Lee et al.  
D727,028 S \* 4/2015 Feng ..... D3/218  
9,545,140 B1 1/2017 Johnson et al.

\* cited by examiner

*Primary Examiner* — Catherine R Oliver-Garcia  
(74) *Attorney, Agent, or Firm* — Ross Brandborg

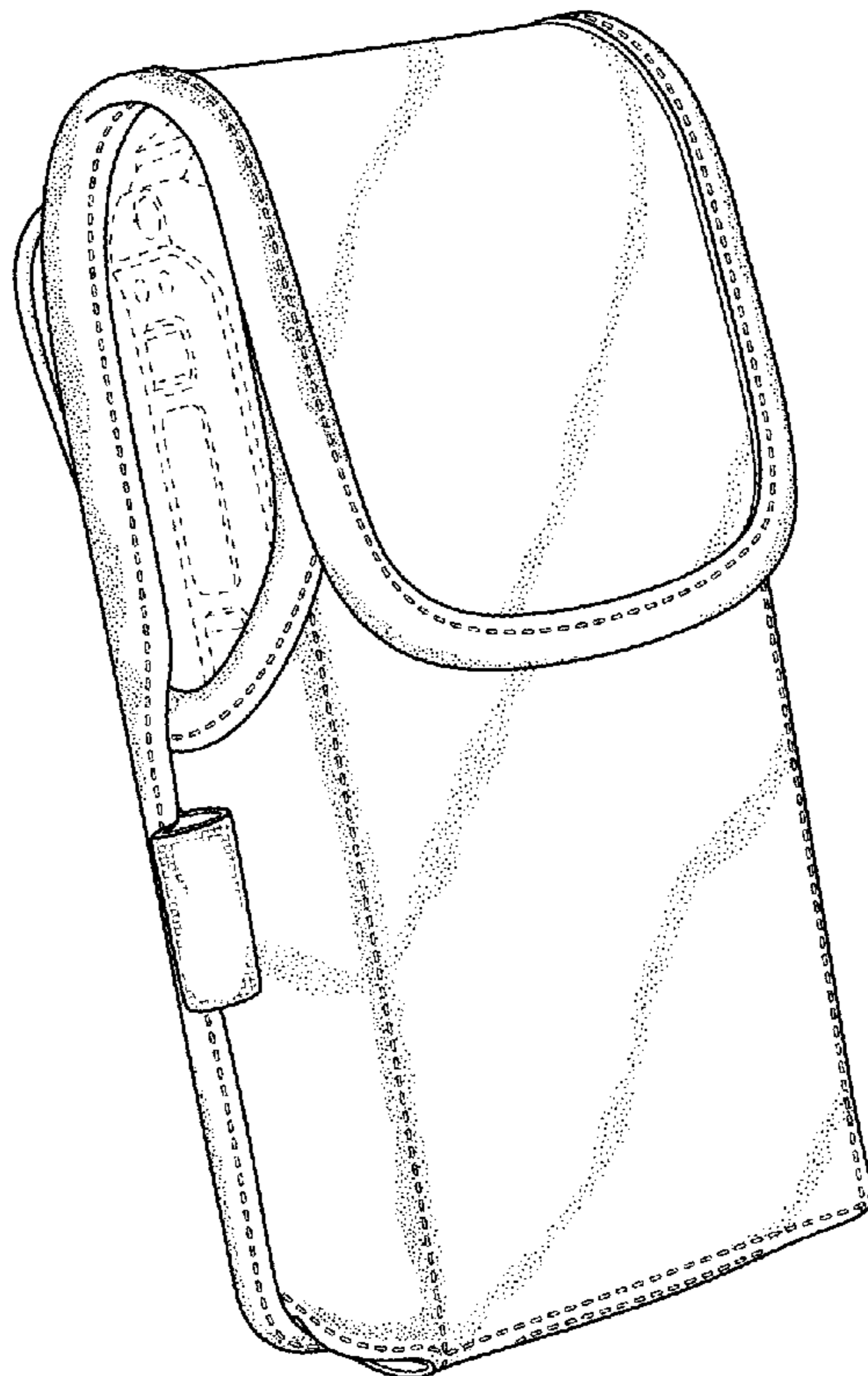
(57) **CLAIM**

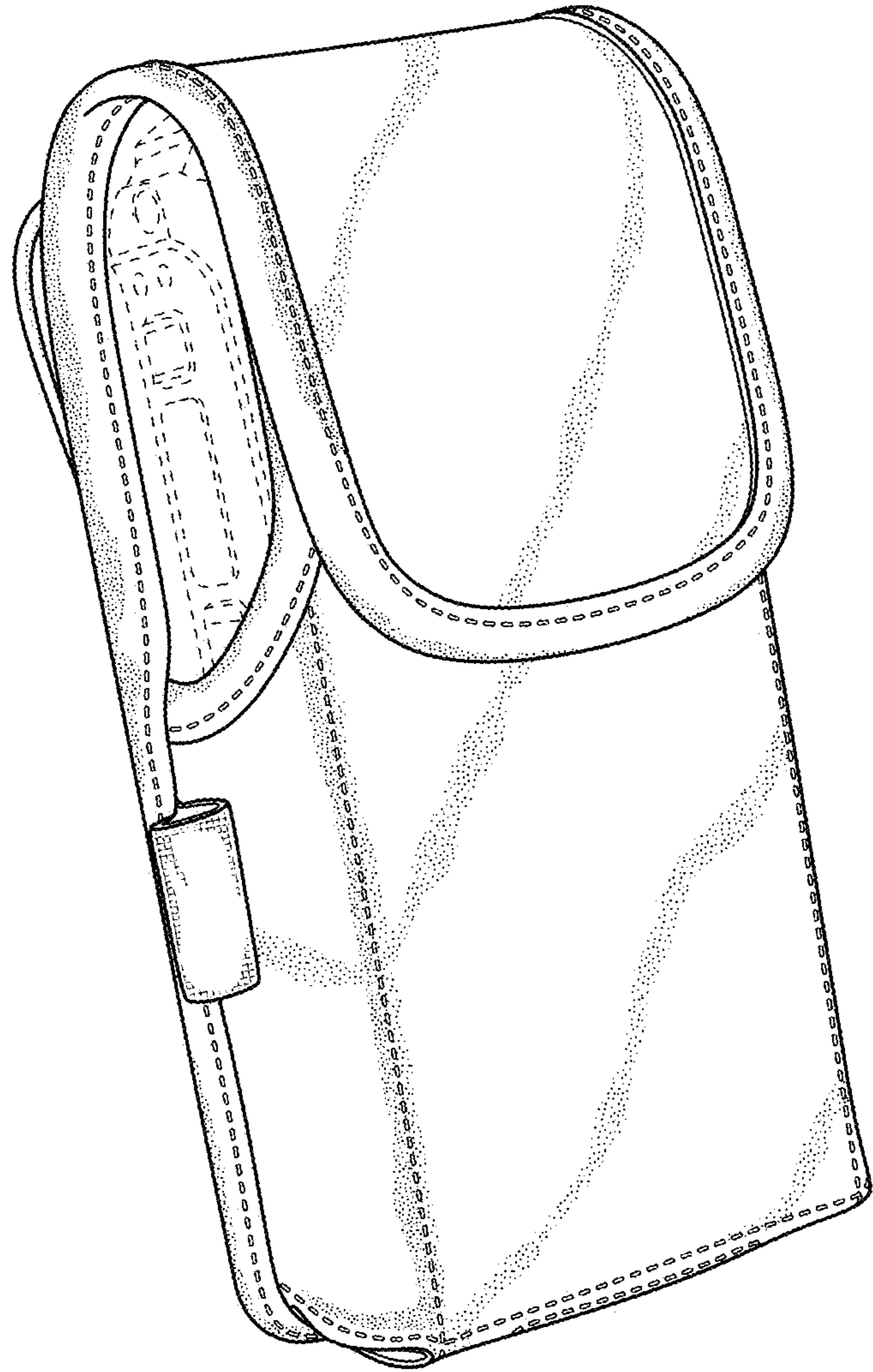
The ornamental design for a vertical phone pouch with closure and belt loop, as shown and described.

**DESCRIPTION**

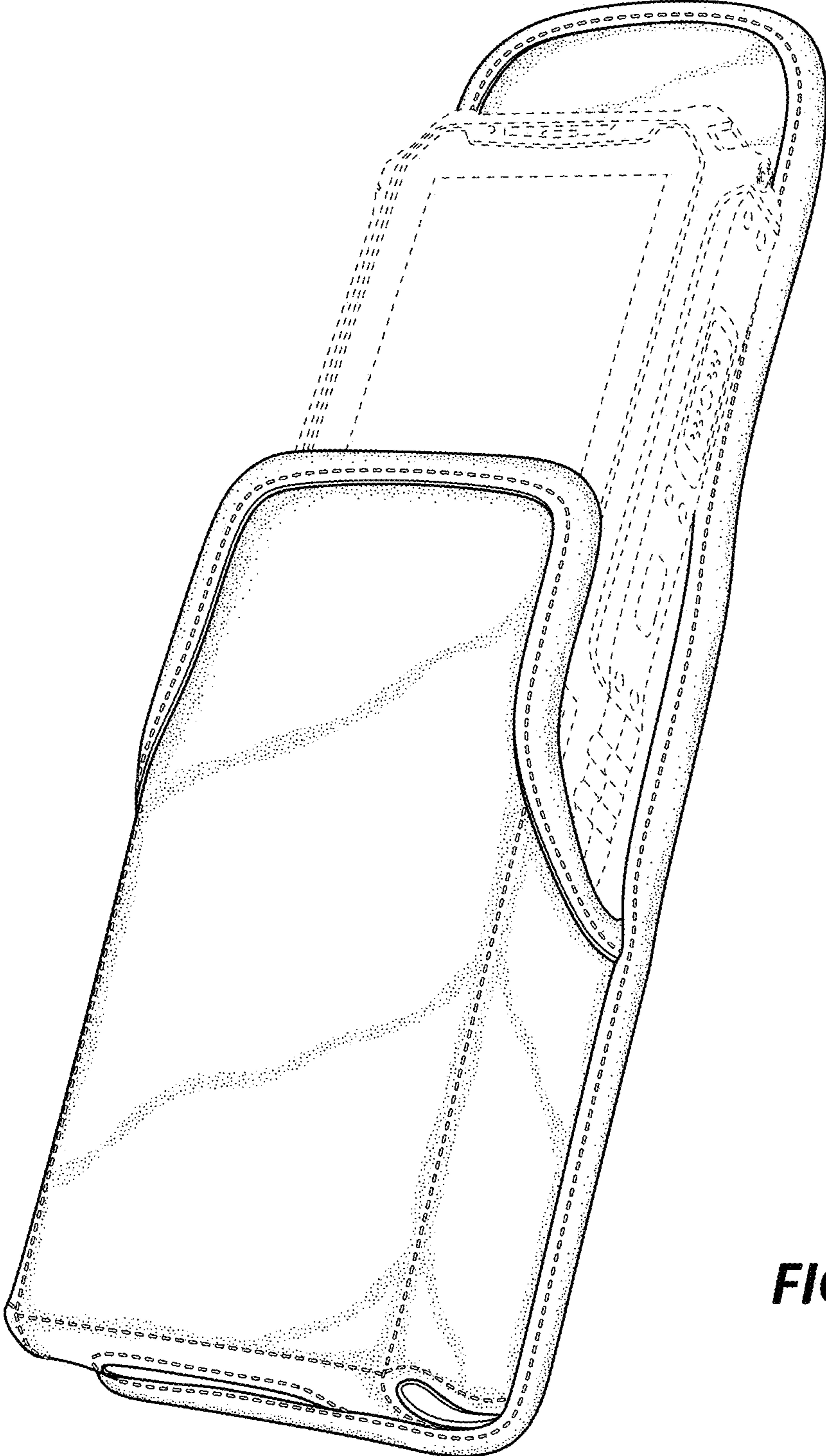
FIG. 1 is a front isometric view of the vertical phone pouch with closure and belt loop, shown in use;  
FIG. 2 is a front isometric view thereof, shown in use;  
FIG. 3 is a front isometric view;  
FIG. 4 is a front elevation view thereof;  
FIG. 5 is a rear elevation view thereof;  
FIG. 6 is a right side elevation view thereof;  
FIG. 7 is a left side elevation view thereof;  
FIG. 8 is a top plan view thereof; and,  
FIG. 9 is a bottom plan view thereof.  
The broken lines depict environmental structure and are included for the purpose of illustration only and form no part of the claimed design.

**1 Claim, 5 Drawing Sheets**

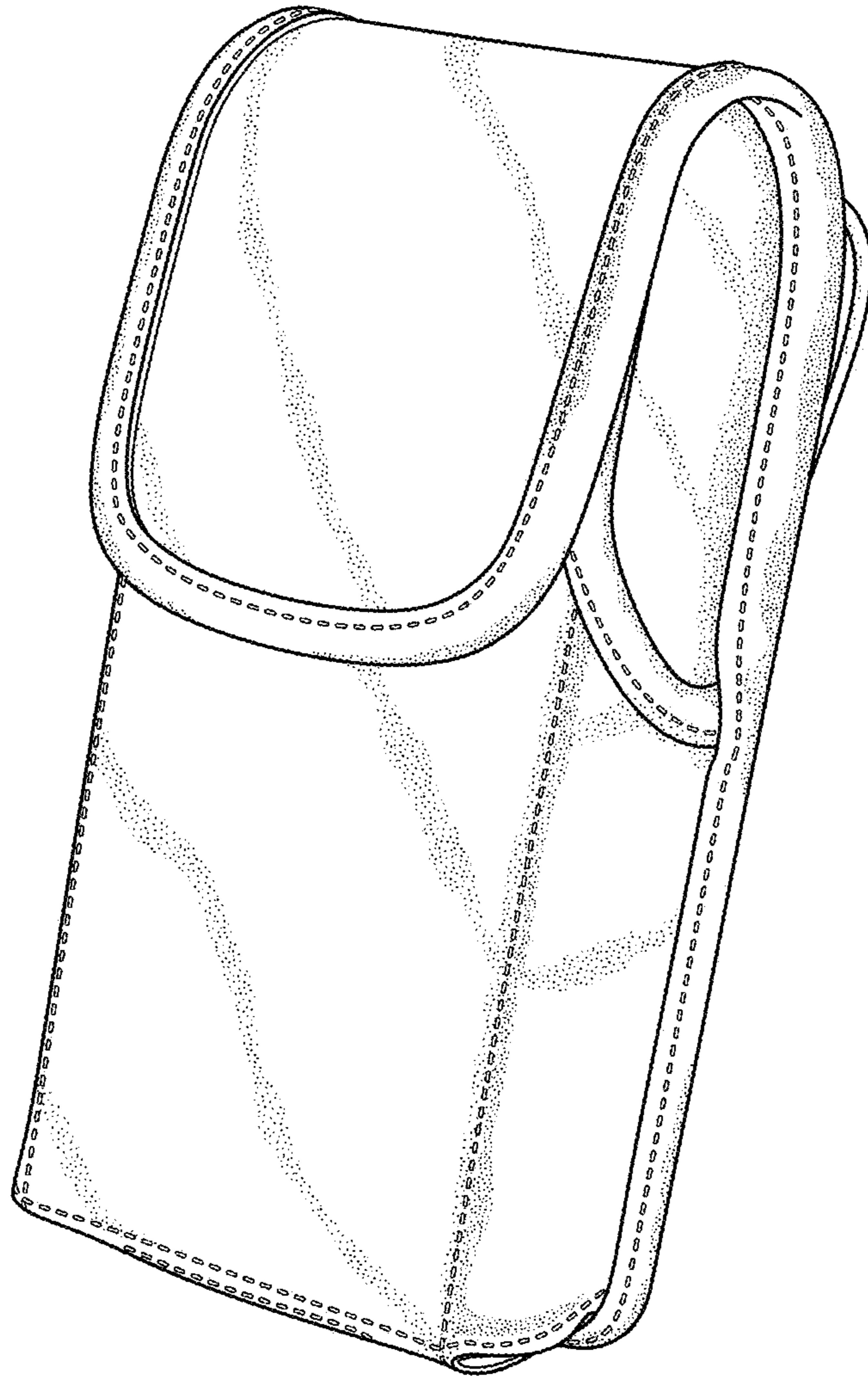




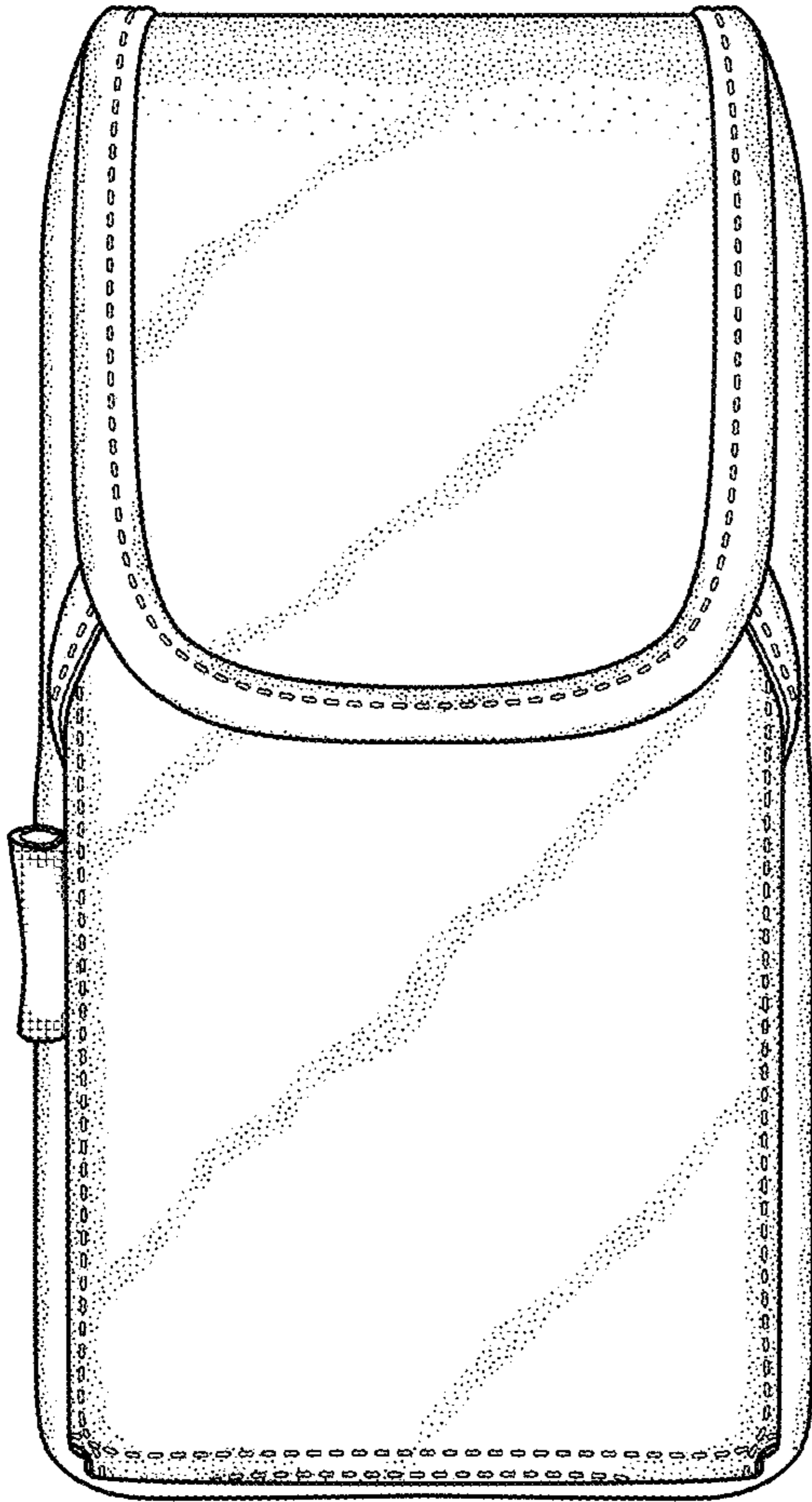
**FIG. 1**



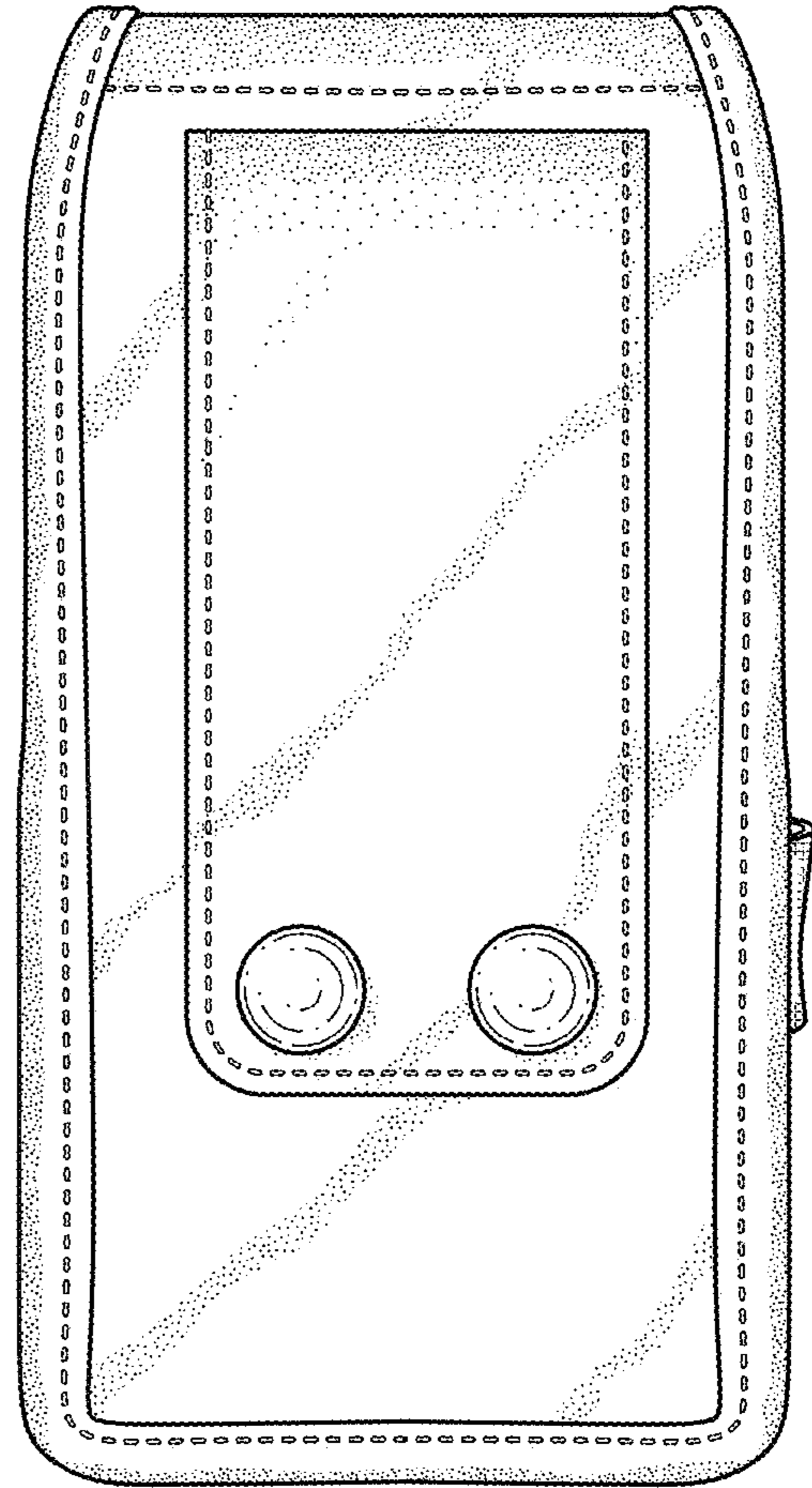
**FIG. 2**



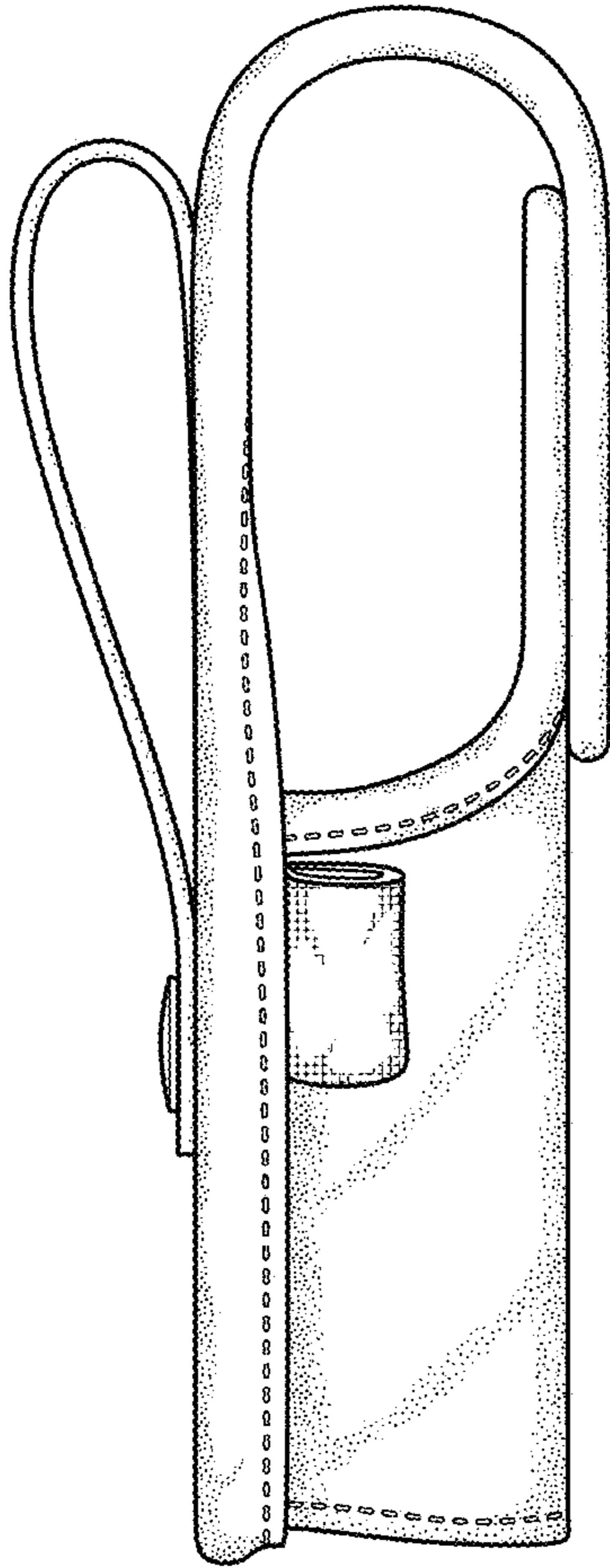
**FIG. 3**



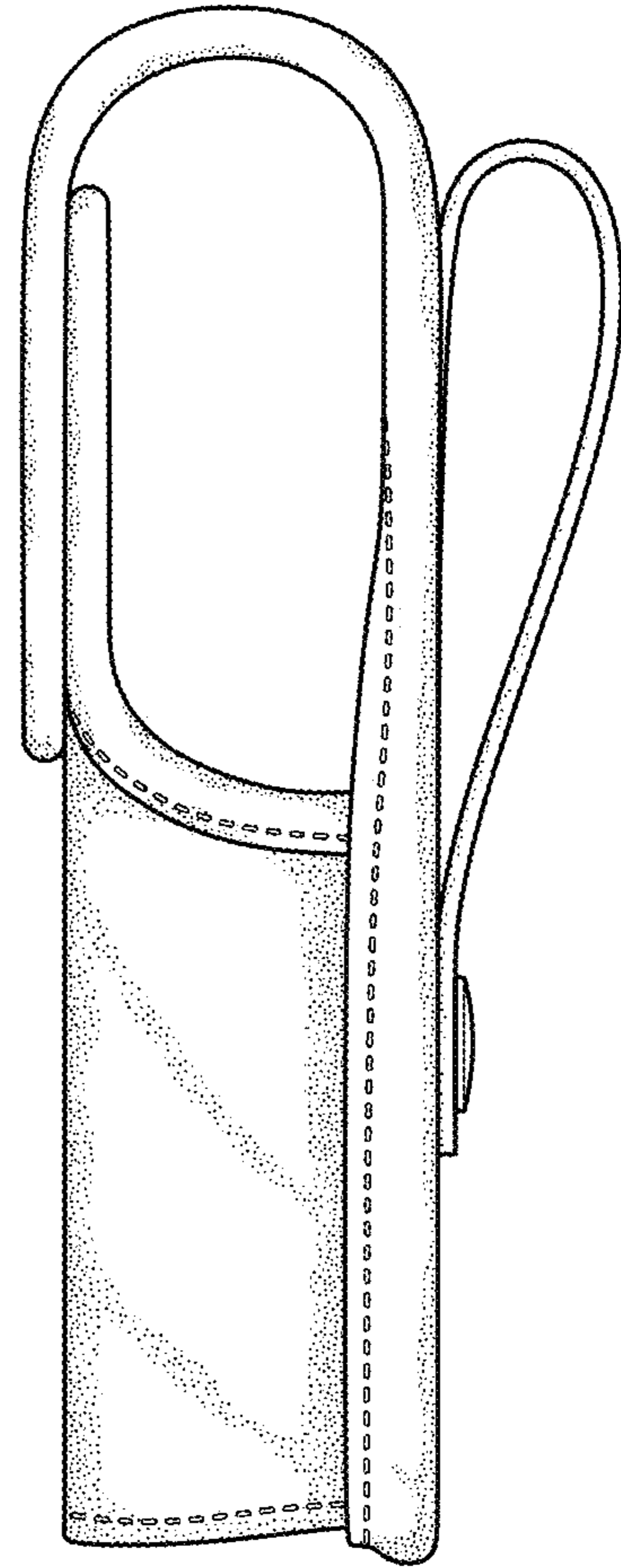
**FIG. 4**



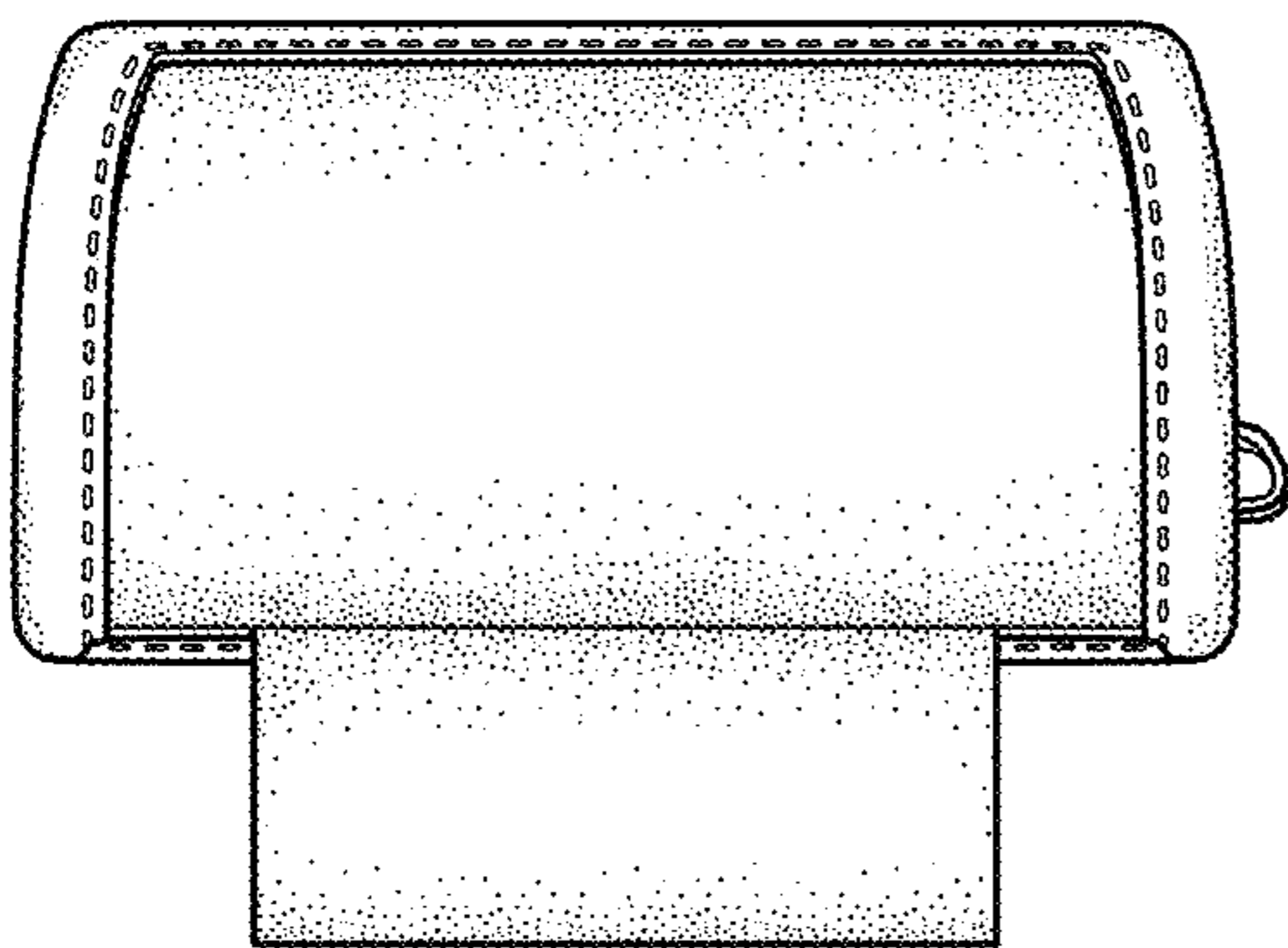
**FIG. 5**



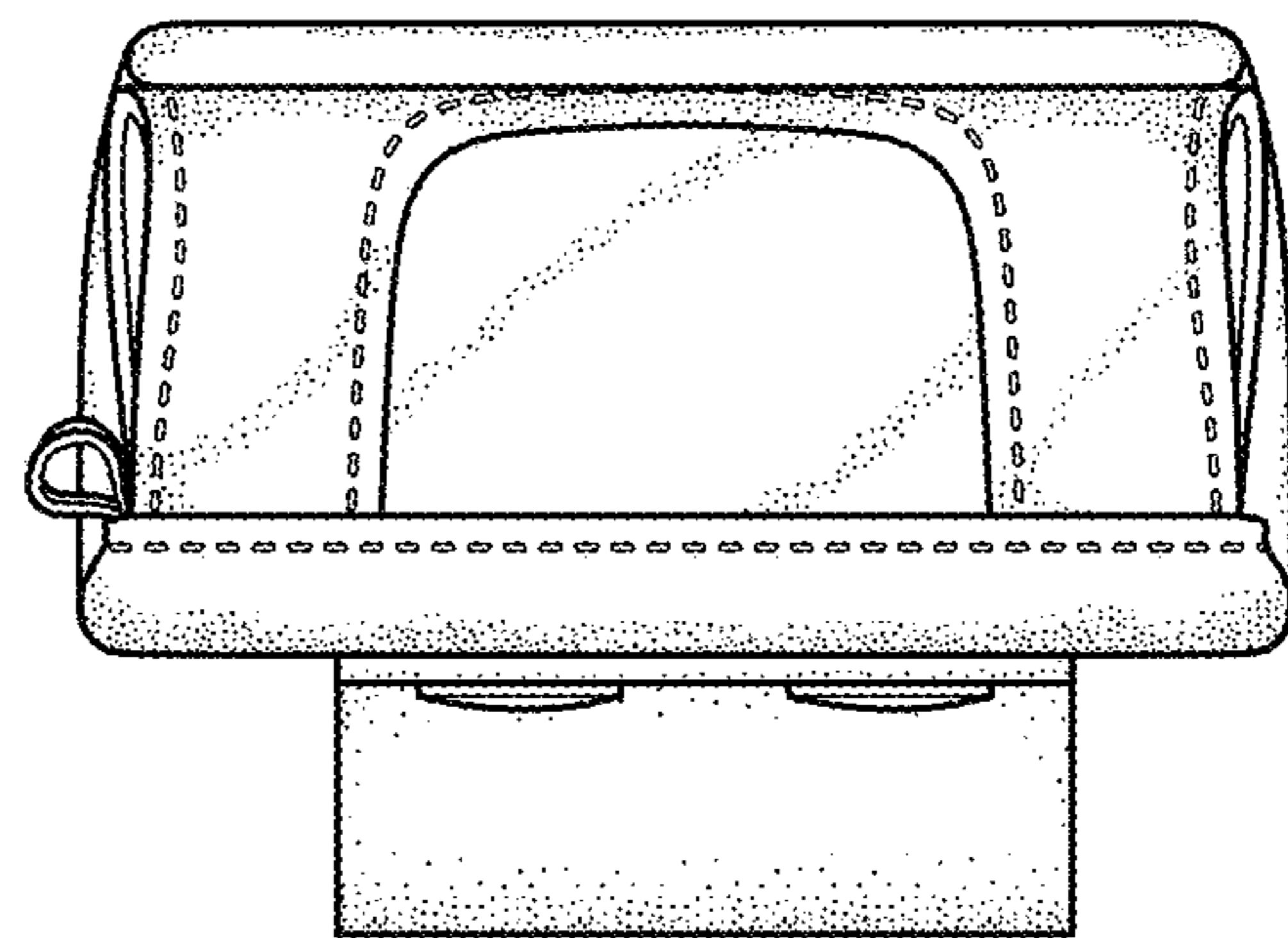
**FIG. 6**



**FIG. 7**



**FIG. 8**



**FIG. 9**