

US00D891755S

(12) **United States Design Patent** (10) **Patent No.:** **US D891,755 S**
Prioleau (45) **Date of Patent:** **** Aug. 4, 2020**

(54) **POCKET-SIZE CONTAINER FOR URETHRAL SUPPOSITORIES**
(71) Applicant: **John R. Prioleau**, Ravenel, SC (US)
(72) Inventor: **John R. Prioleau**, Ravenel, SC (US)
(**) Term: **15 Years**
(21) Appl. No.: **29/671,456**
(22) Filed: **Nov. 27, 2018**
(51) **LOC (12) Cl.** **03-01**
(52) **U.S. Cl.**
USPC **D3/203.1**
(58) **Field of Classification Search**
USPC D3/201, 203.1, 203.2, 203.3, 205, 206,
D3/273, 294; D9/700, 414, 420, 426;
D28/83
CPC ... B65D 1/09; B65D 3/00; B65D 5/66; B65D
5/6655; B65D 11/00; B65D 25/10; B65D
75/00; B65D 83/00; B65D 83/02; B65D
85/08; A61J 1/00; A61J 1/05; A61J 1/165
See application file for complete search history.

5,865,314 A * 2/1999 Jacober A61J 1/165
150/117
D413,017 S * 8/1999 Masoud D3/201
D423,772 S * 5/2000 Cooper D3/201
D425,294 S * 5/2000 Haverstick D3/203.1
D427,425 S * 7/2000 St.ang.hl D3/203.1
D430,727 S * 9/2000 Wisniewski D3/201
6,119,892 A 9/2000 Laurent et al.
D431,902 S * 10/2000 Mellin D3/203.1
D478,689 S * 8/2003 Thorpe D28/83
D487,192 S * 3/2004 Farnham D3/294
D491,358 S * 6/2004 Hofman D3/273
D516,801 S * 3/2006 Jones, III D3/203.2
D525,488 S * 7/2006 McWhorter D3/294
D527,182 S * 8/2006 Ham D3/274
D531,025 S * 10/2006 Tanner D9/426

(Continued)

Primary Examiner — Steven J Czyn
(74) *Attorney, Agent, or Firm* — Suzanne Kikel, Patent Agent

(57) **CLAIM**

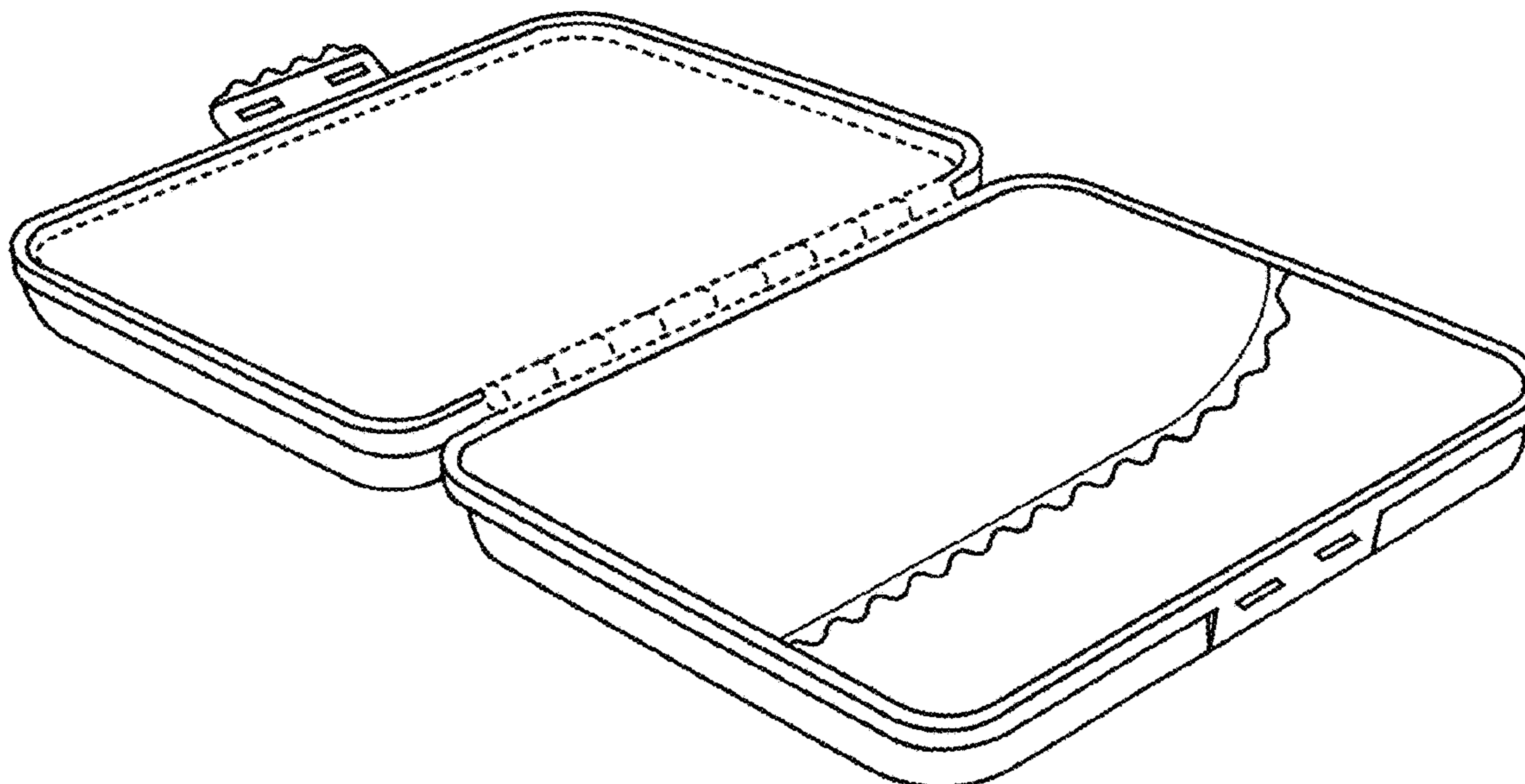
The ornamental design for a pocket-size container for urethral suppositories, as shown and described.

DESCRIPTION

FIG. 1 is a perspective view of a pocket-size container for urethral suppositories in an open position, showing my new design.
FIG. 2 is a perspective view of the pocket-size container for urethral suppositories of FIG. 1 in a closed position.
FIG. 3 is a front view thereof.
FIG. 4 is a rear view thereof.
FIG. 5 is a right side elevational view thereof.
FIG. 6 is a left side elevational view thereof.
FIG. 7 is a top plan view thereof; and,
FIG. 8 is a bottom plan view thereof.
The broken lines depict portions of the article that form no part of the claimed design.

1 Claim, 5 Drawing Sheets

(56) **References Cited**
U.S. PATENT DOCUMENTS
D144,278 S * 3/1946 Wohl et al. 206/256
3,690,315 A 9/1972 Chittenden et al.
D262,151 S * 12/1981 Sussman D28/83
D269,249 S * 6/1983 Cillario D9/424
273,533 A 4/1984 Weinreb
4,454,889 A * 6/1984 Contreras, Sr. A45C 11/22
132/301
284,715 A 7/1986 Jacober et al.
299,406 A 1/1989 Jacober
4,863,034 A * 9/1989 Contreras, Sr. A45D 40/22
206/581
D333,727 S * 3/1993 Schurman D3/292
D367,211 S * 2/1996 Cautereels D3/294
D376,690 S * 12/1996 Lockerby D3/273



(56)

References Cited

U.S. PATENT DOCUMENTS

D540,035 S * 4/2007 Gerard D3/263
D548,970 S * 8/2007 Huang D3/294
D565,298 S * 4/2008 Braun D3/273
D565,842 S * 4/2008 Falcone D3/294
D566,395 S * 4/2008 Langer D3/294
D570,114 S * 6/2008 Netz D3/294
D592,398 S * 5/2009 Roesler D3/294
D592,399 S * 5/2009 Sage D3/295
D593,316 S * 6/2009 Ruwiel D3/203.2
D629,608 S * 12/2010 Hong D3/294
D630,505 S * 1/2011 Westemeyer D9/426
D672,952 S * 12/2012 Yang D3/247
D673,366 S * 1/2013 Schumann D3/294
D675,434 S * 2/2013 Vernall D3/294
D693,999 S * 11/2013 Alexander D3/203.2
D694,102 S * 11/2013 Bellamah D9/424
D706,643 S * 6/2014 Akana D9/432
D709,384 S * 7/2014 Vural D9/721
D720,526 S * 1/2015 Lopez-Stout D3/205
D731,793 S * 6/2015 Houghton D3/294
D735,476 S * 8/2015 Duvigneau D3/294
D735,991 S * 8/2015 Brennan D3/218
D740,653 S * 10/2015 Akana D9/418
D772,572 S * 11/2016 Palmborg D3/201
D774,757 S * 12/2016 Bournay, Jr. D3/276
9,629,954 B2 * 4/2017 Mitchell A61M 5/14
D832,572 S * 11/2018 Bae D3/201
D834,819 S * 12/2018 Burek D3/294
D839,583 S * 2/2019 Cao D3/201
D846,264 S * 4/2019 Wu D3/201
2007/0175238 A1 8/2007 Norwood et al.

* cited by examiner

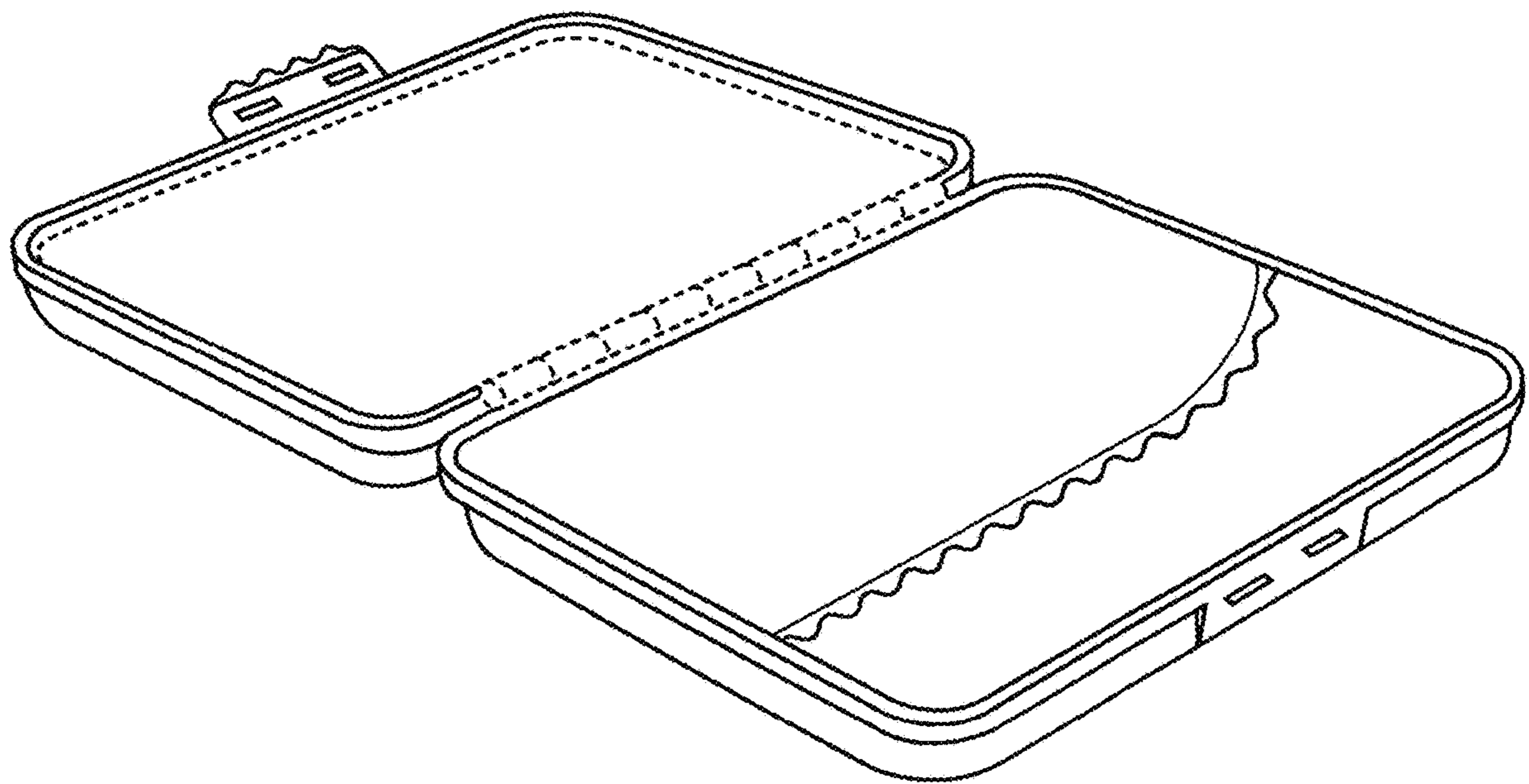


FIG. 1

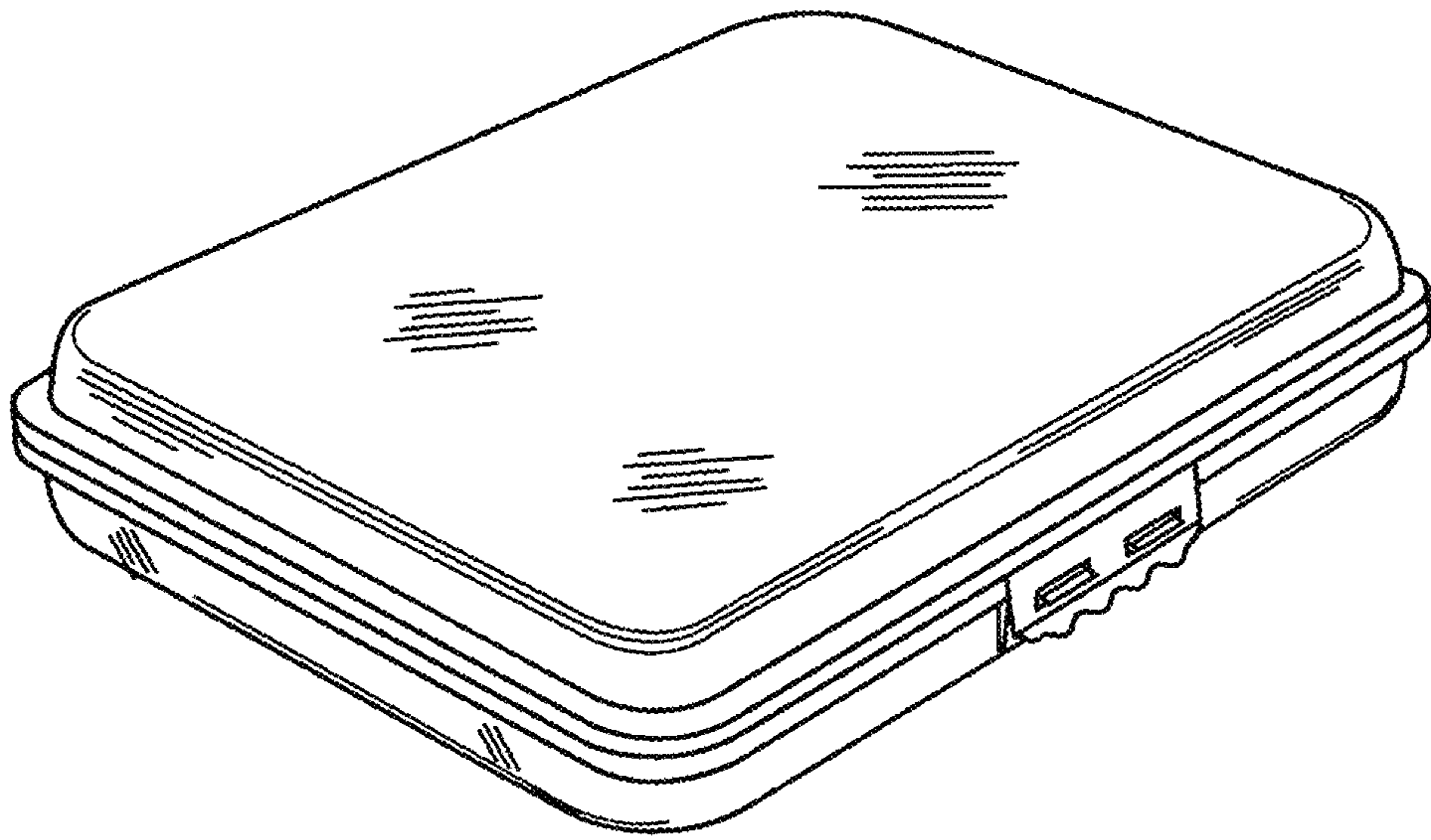


FIG. 2



FIG.3

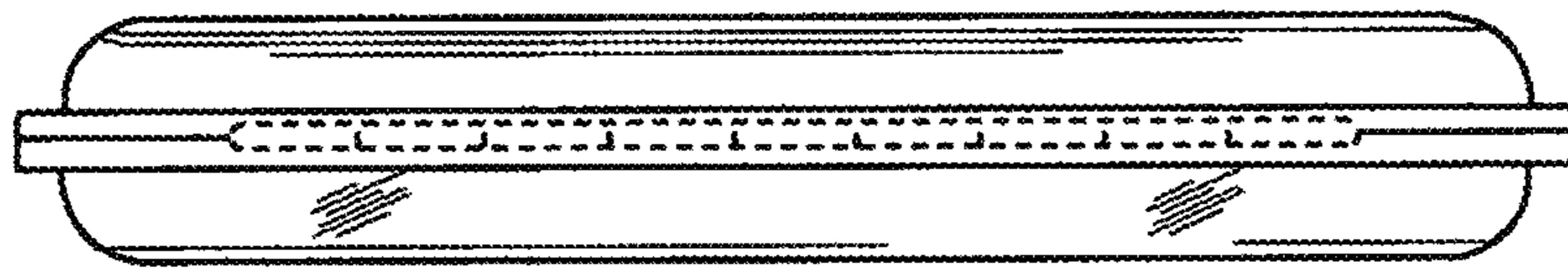


FIG.4

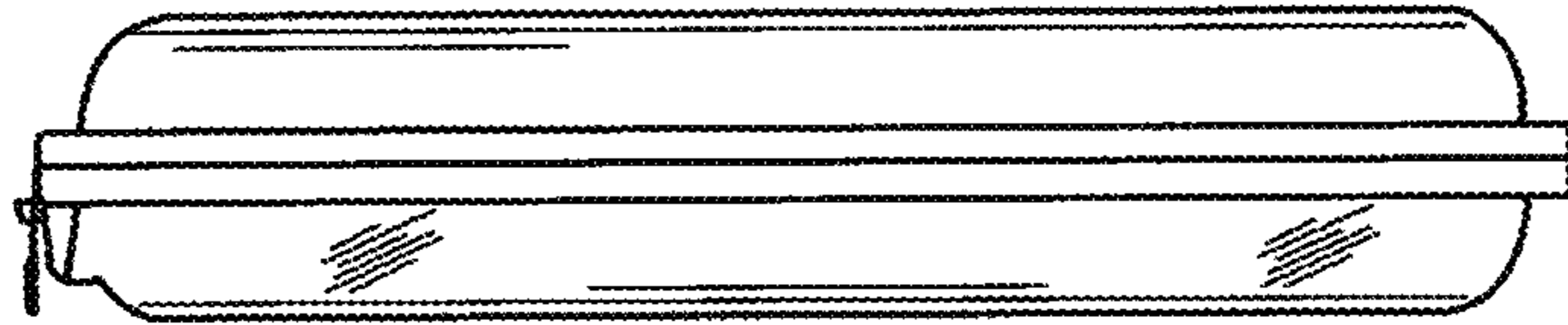


FIG. 5

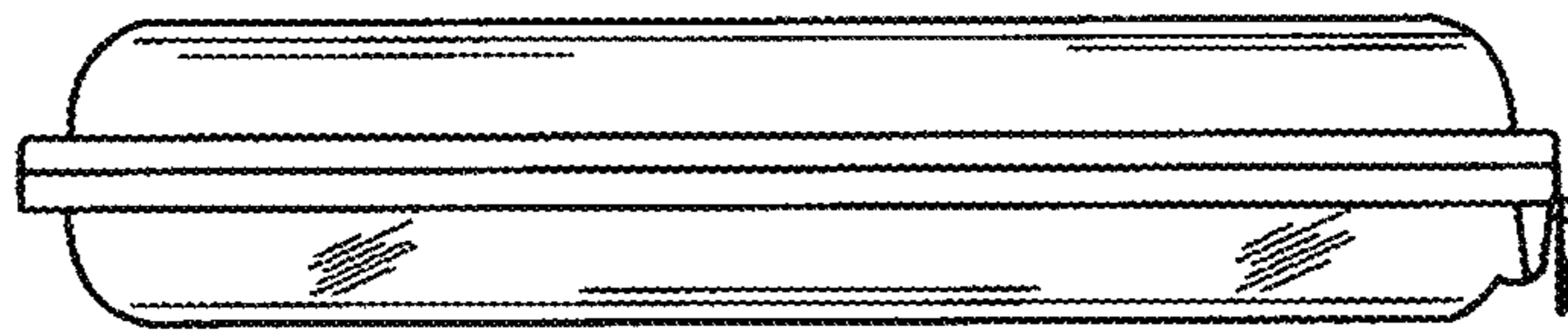


FIG. 6

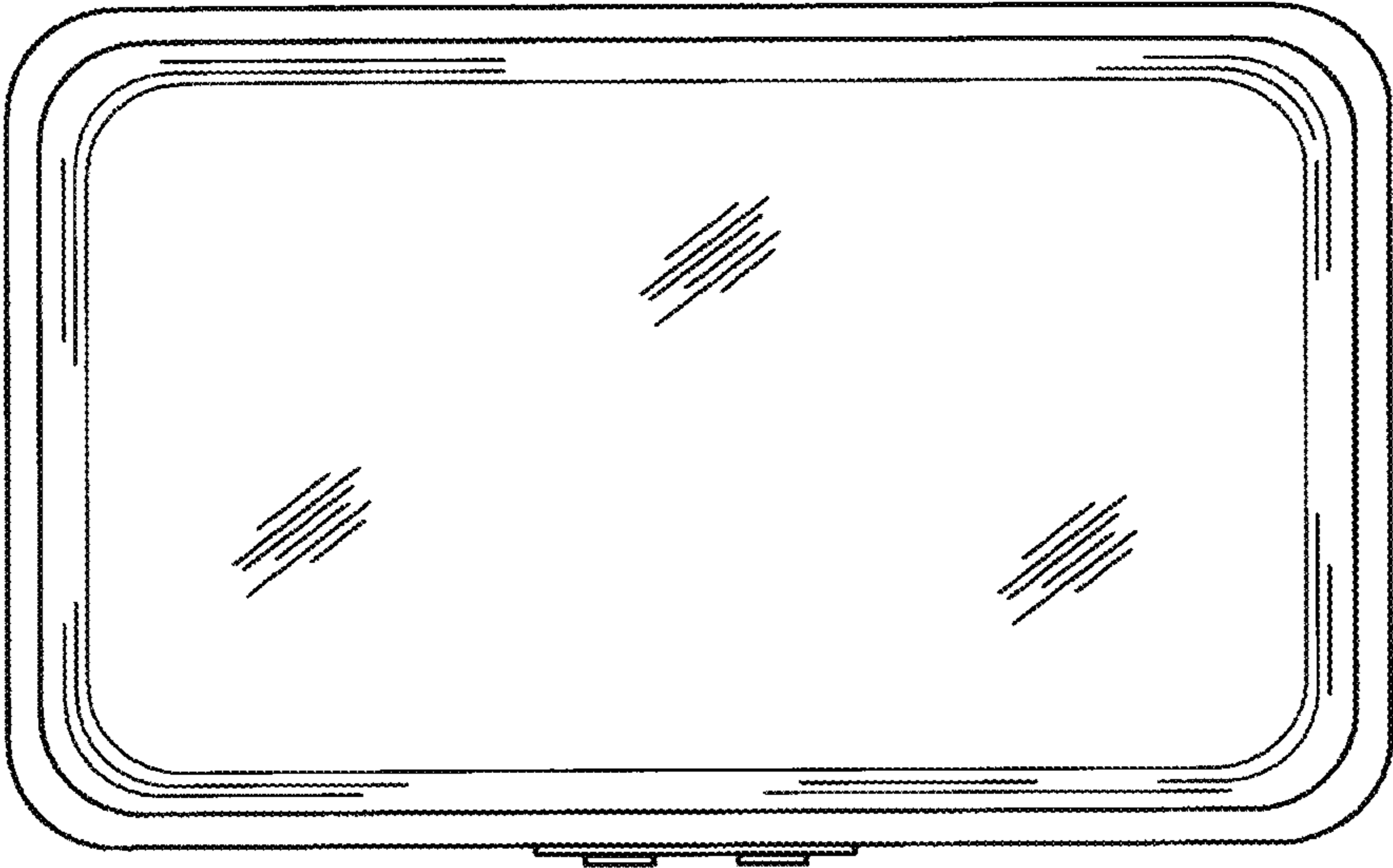


FIG. 7

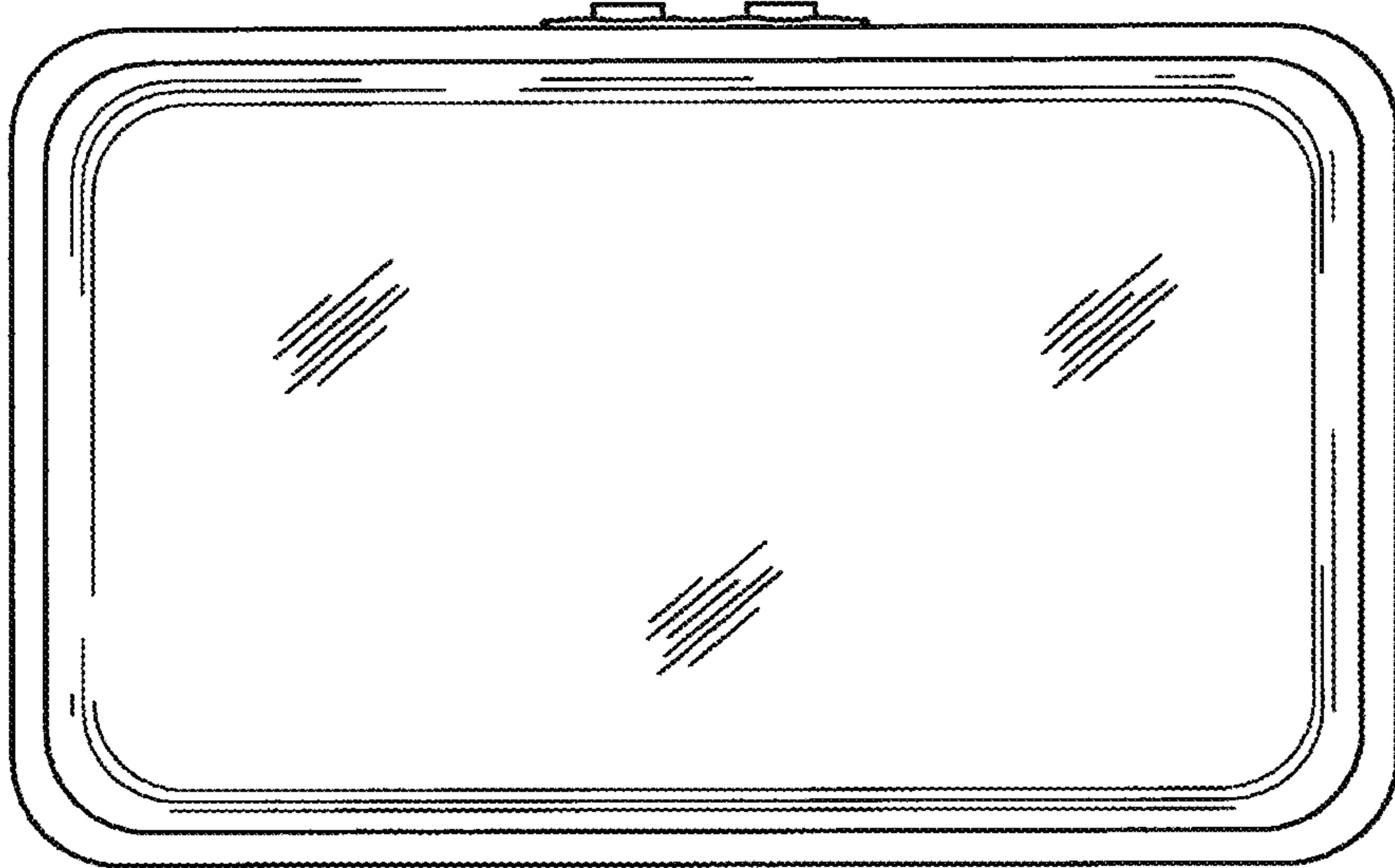


FIG. 8