



US00D891754S

(12) **United States Design Patent**
Westad

(10) **Patent No.:** **US D891,754 S**

(45) **Date of Patent:** **** Aug. 4, 2020**

- (54) **TRAVEL CONTAINER**
- (71) Applicant: **Pak Products, LLC**, Lakeville, MN (US)
- (72) Inventor: **Kate Westad**, Lakeville, MN (US)
- (73) Assignee: **Pak Products, LLC**, Lakeville, MN (US)

D460,216 S	7/2002	Hong	
D547,443 S *	7/2007	Sudo B01L 3/50825
			D24/121
D587,005 S *	2/2009	Gardner D3/203.3
D621,603 S *	8/2010	Traylor D3/203.2
D627,151 S *	11/2010	Young D3/203.3
D749,428 S *	2/2016	Fath D9/737
D749,429 S *	2/2016	Fath D9/737
D789,217 S *	6/2017	Antons D9/737
D812,245 S *	3/2018	Hommel D24/231
2014/0216979 A1 *	8/2014	Veltrop A47J 39/006
			206/561

(**) Term: **15 Years**

(21) Appl. No.: **29/638,880**

(22) Filed: **Mar. 1, 2018**

(51) **LOC (12) Cl.** **03-01**

(52) **U.S. Cl.**
USPC **D3/201**

(58) **Field of Classification Search**
USPC D3/201, 203.3, 318
CPC A45C 11/00; A45F 5/00; F16M 11/06
See application file for complete search history.

(56) **References Cited**

U.S. PATENT DOCUMENTS

D227,551 S *	7/1973	Crutchfield D9/740
D236,585 S *	9/1975	Tabor et al. D9/740
D249,706 S *	9/1978	Adamski D24/230
D252,072 S *	6/1979	Bridges D3/203.3
D253,933 S *	1/1980	Bridges D3/203.3
D255,775 S *	7/1980	Clemens D9/740
D289,978 S *	5/1987	Clover, Jr. D24/224
D304,629 S	11/1989	Alvarado	
D354,678 S *	1/1995	Dalbo D9/740
D426,461 S *	6/2000	Noble D3/203.3
D441,192 S	5/2001	Park	

* cited by examiner

Primary Examiner — Holly E Thurman

(74) *Attorney, Agent, or Firm* — Avant Law Group, LLC

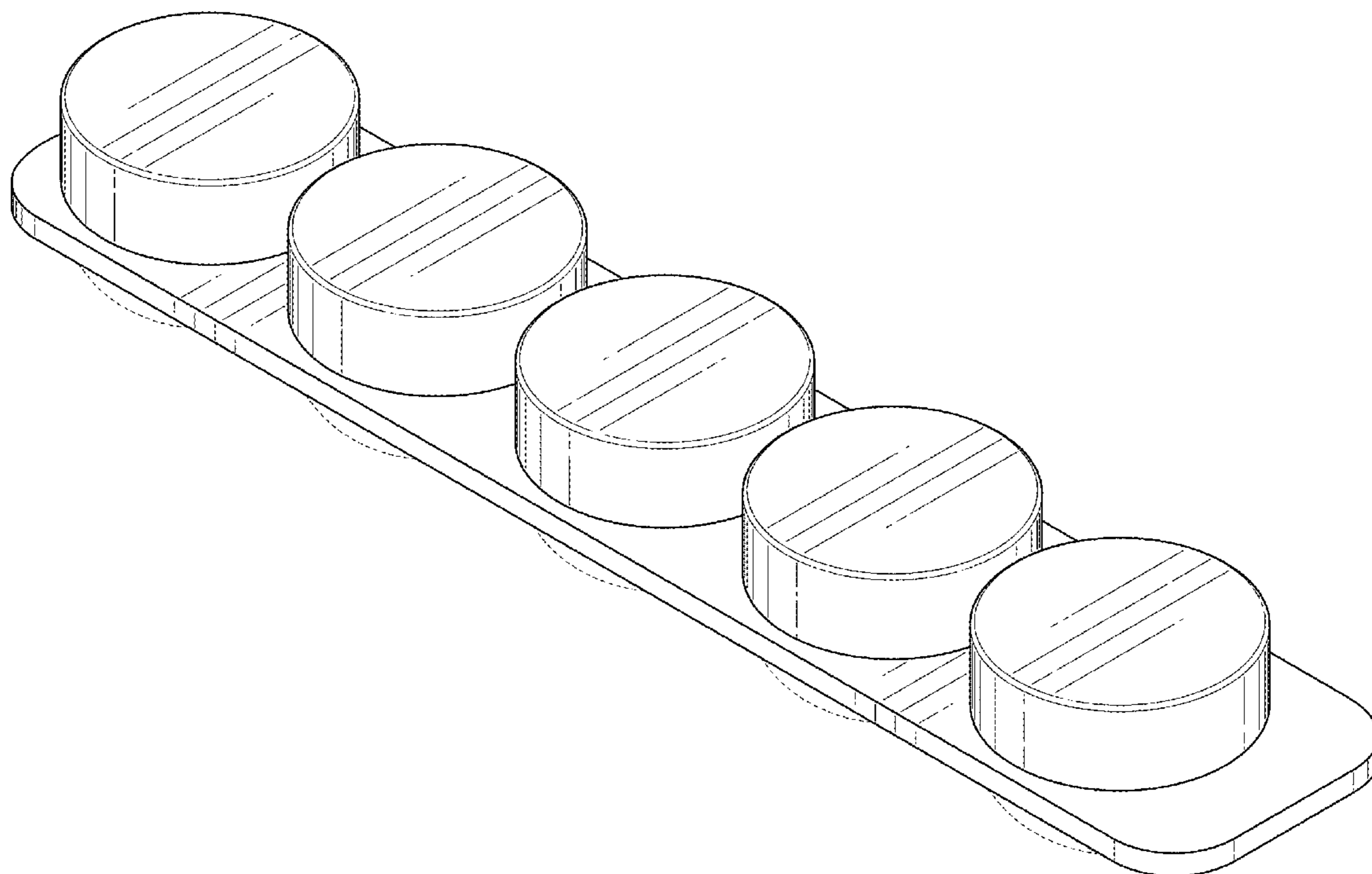
(57) **CLAIM**

The ornamental design for a travel container, as shown and described.

DESCRIPTION

FIG. 1 is a top perspective view of the travel container showing my new design;
 FIG. 2 is a right side elevation view thereof.
 FIG. 3 is a left side elevation view thereof.
 FIG. 4 is a first end elevation view thereof.
 FIG. 5 is a second end elevation view thereof.
 FIG. 6 is a top plan view thereof; and,
 FIG. 7 is a bottom plan view thereof.
 The broken lines in the drawings are for illustrative purposes only and form no part of the claimed design.

1 Claim, 7 Drawing Sheets



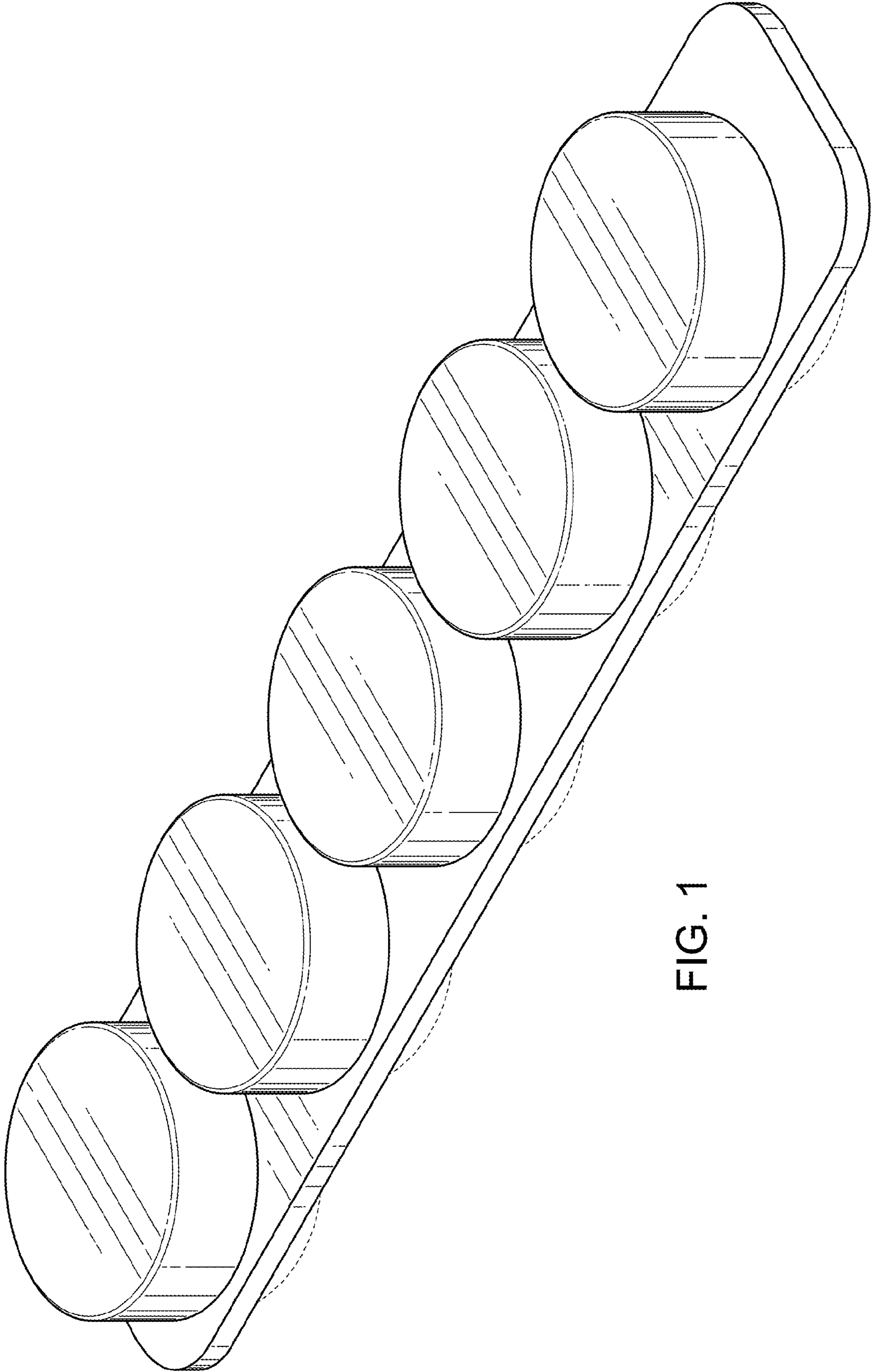


FIG. 1

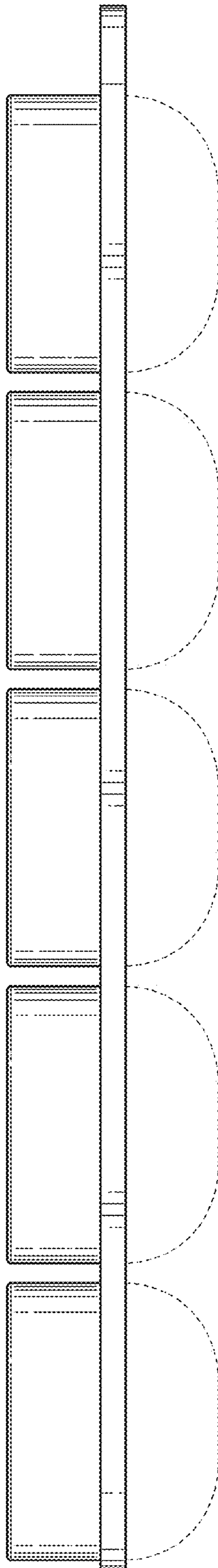


FIG. 2

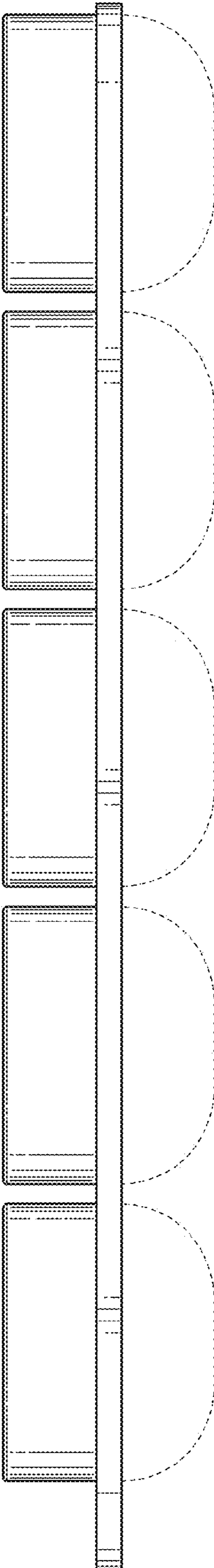


FIG. 3

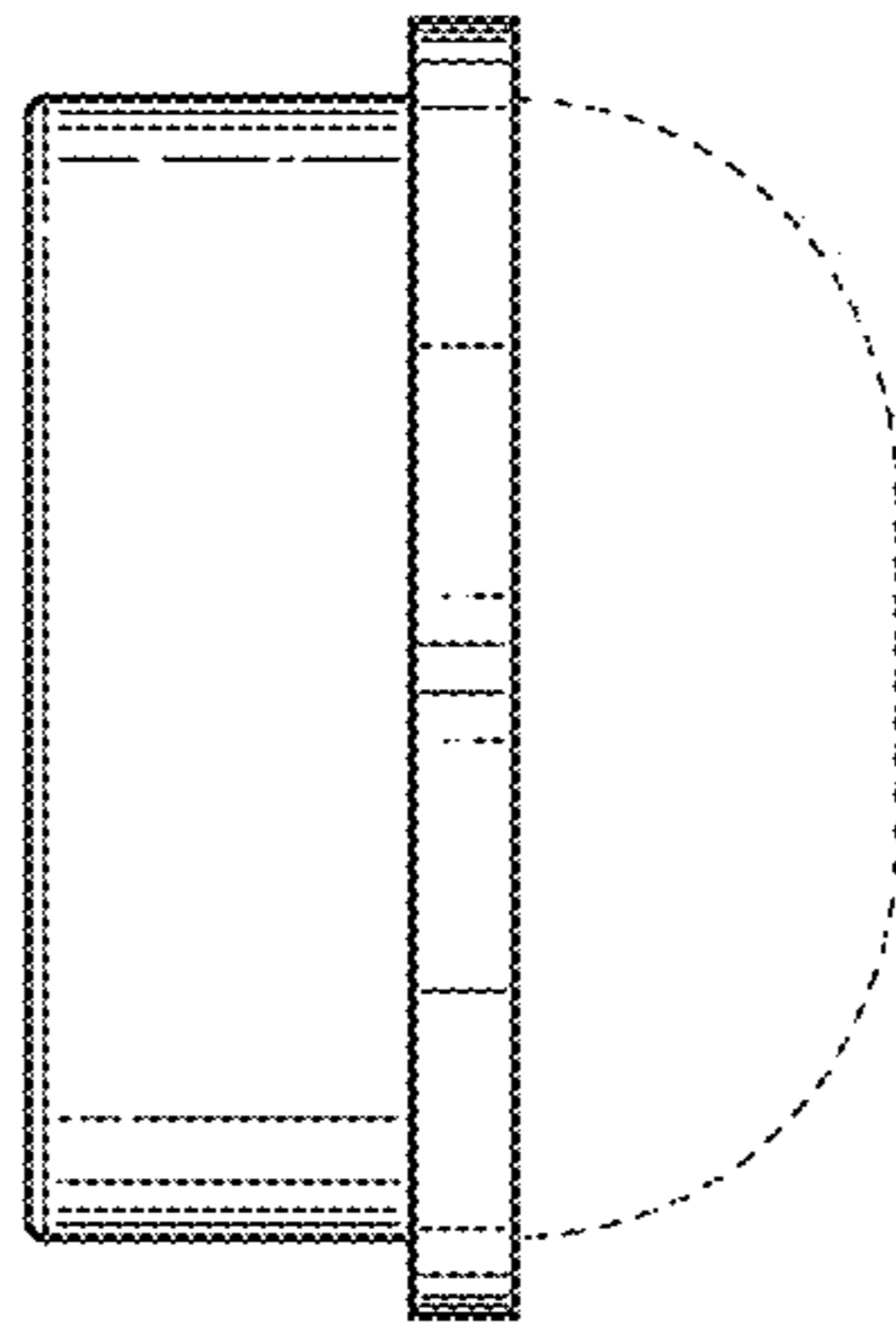


FIG. 4

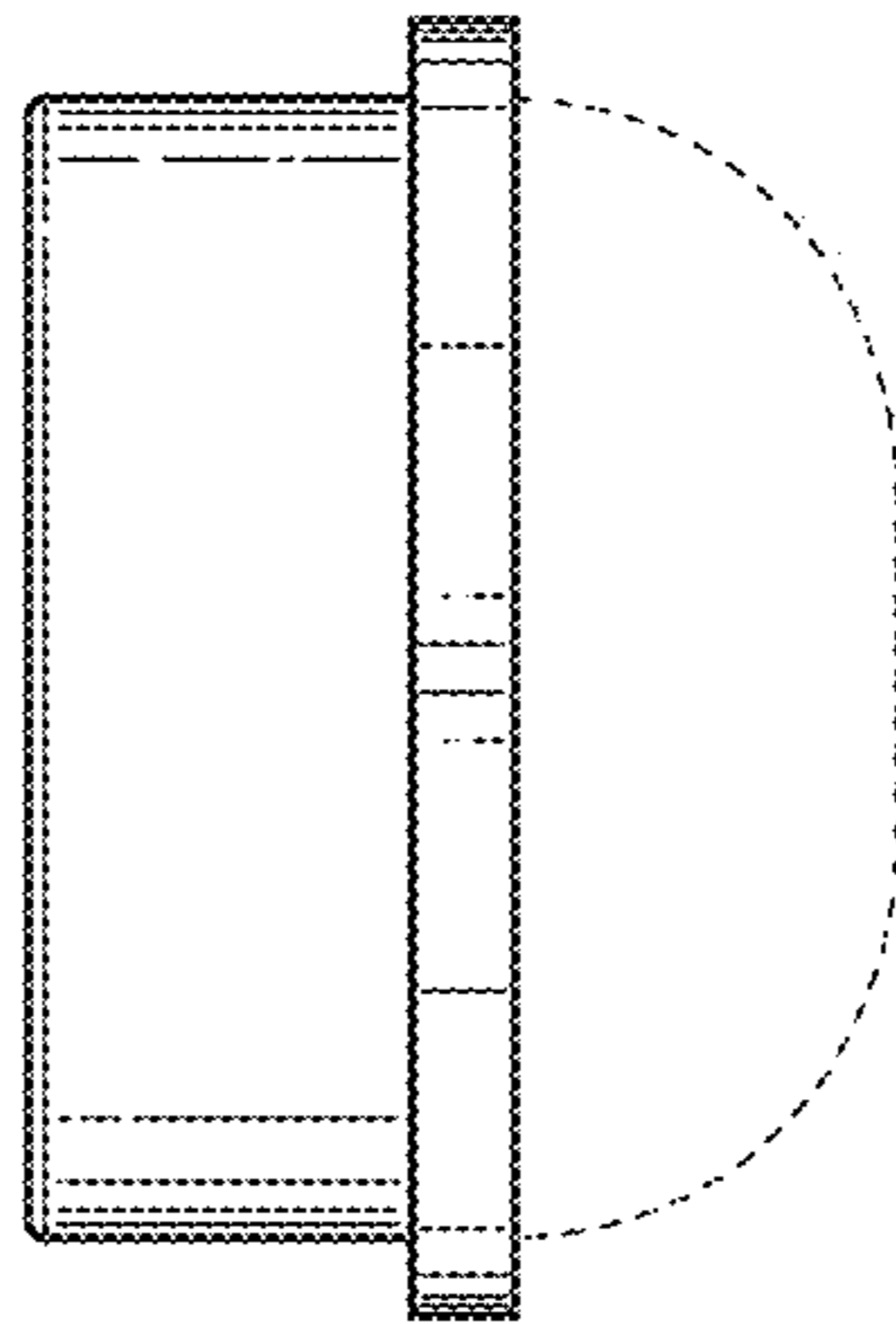


FIG. 5

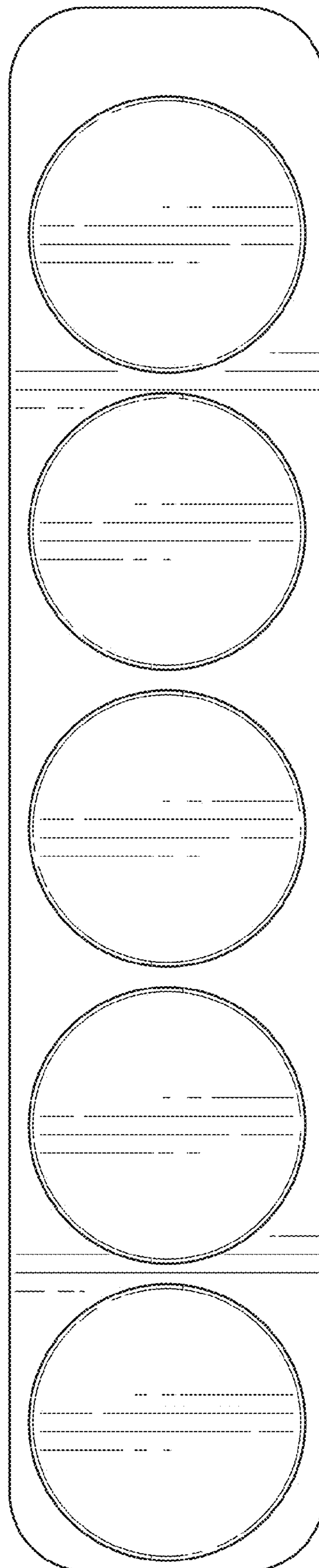


FIG. 6

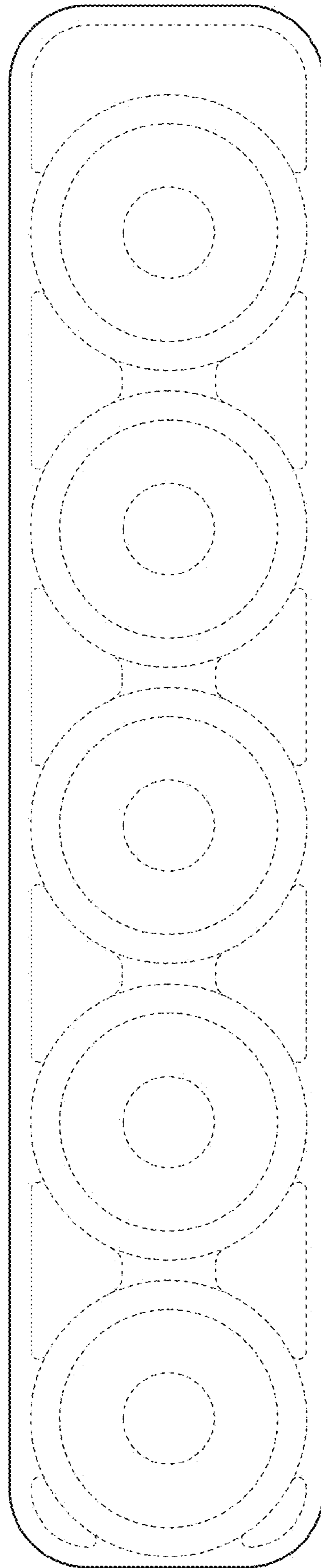


FIG. 7