



US00D891751S

(12) **United States Design Patent** (10) **Patent No.:** **US D891,751 S**
Citarella et al. (45) **Date of Patent:** **** Aug. 4, 2020**

- (54) **SHOE**
- (71) Applicant: **StreetTrend LLC**, Jackson, WY (US)
- (72) Inventors: **Simona Citarella**, Milan (IT); **Simone Pezzuolo**, Padua (IT); **Donato Alfarano**, Milan (IT)
- (73) Assignee: **StreetTrend LLC**, Jackson, WY (US)
- (**) Term: **15 Years**
- (21) Appl. No.: **29/667,451**
- (22) Filed: **Oct. 22, 2018**
- (51) **LOC (12) Cl.** **02-04**
- (52) **U.S. Cl.**
USPC **D2/973**
- (58) **Field of Classification Search**
USPC D2/896, 897, 902, 907, 908, 923,
D2/943-946, 969, 970, 972-974
CPC ... A43B 23/0235; A43B 23/047; A43B 23/02;
A43B 5/00
See application file for complete search history.

D720,922 S *	1/2015	Harlow	D2/972
D725,364 S *	3/2015	Fuhrer	D2/972
D781,045 S *	3/2017	Portzline	D2/972
D782,801 S *	4/2017	Nascimento	D2/972
D812,889 S *	3/2018	Coonrod	D2/972
D828,004 S *	9/2018	Hui	D2/972
D852,488 S *	7/2019	Hui	D2/973
D867,744 S *	11/2019	Chang	A43B 7/02 D2/973

* cited by examiner

Primary Examiner — Kevin K Rudzinski
Assistant Examiner — Clare Ann Gannon
(74) *Attorney, Agent, or Firm* — Norton Rose Fulbright
US LLP

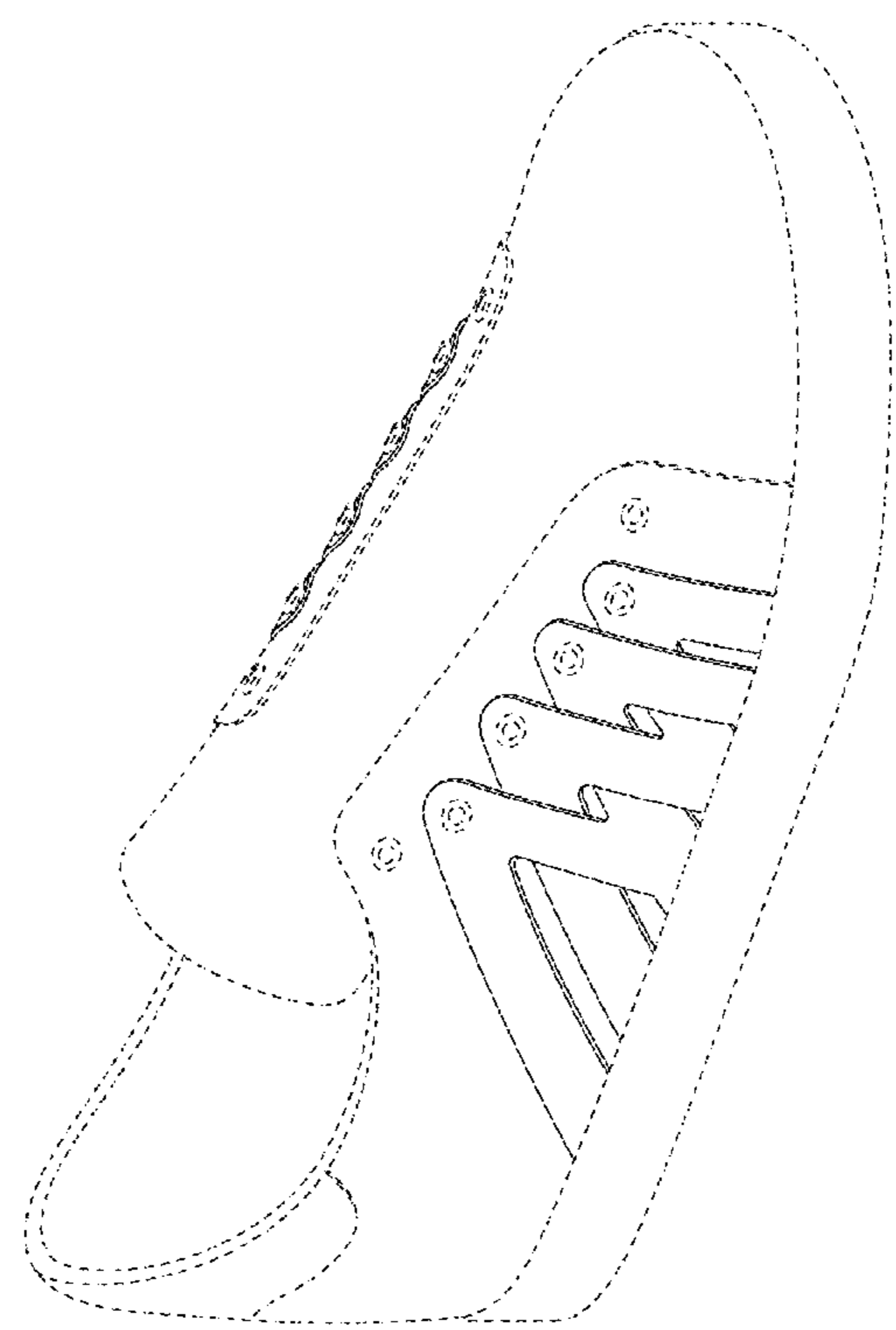
(57) **CLAIM**
The ornamental design for a shoe, as shown and described.

DESCRIPTION

FIG. 1 is a front perspective view of a shoe showing our new design;
FIG. 2 is a front view thereof;
FIG. 3 is a rear view thereof;
FIG. 4 is a right side view thereof;
FIG. 5 is a left side view thereof;
FIG. 6 is a top view thereof; and,
FIG. 7 is a bottom view thereof.
The shoe shown in FIGS. 1-7 is for a left shoe. A right shoe is a mirror image of the left shoe. The broken lines depict environment that forms no part of the claimed design. All other surface(s) or portion(s) of our shoe not shown in the figures or otherwise described in the specification form no part of the claimed designs.

1 Claim, 4 Drawing Sheets

- (56) **References Cited**
U.S. PATENT DOCUMENTS
D283,364 S * 4/1986 Gamm D2/907
5,806,208 A * 9/1998 French A43B 7/02
36/28
D451,269 S * 12/2001 Burt D2/972
D529,707 S * 10/2006 Shaffer D2/972
D580,155 S * 11/2008 Banik D2/969
D659,987 S * 5/2012 Ho D2/972
D692,223 S * 10/2013 Hui D2/973



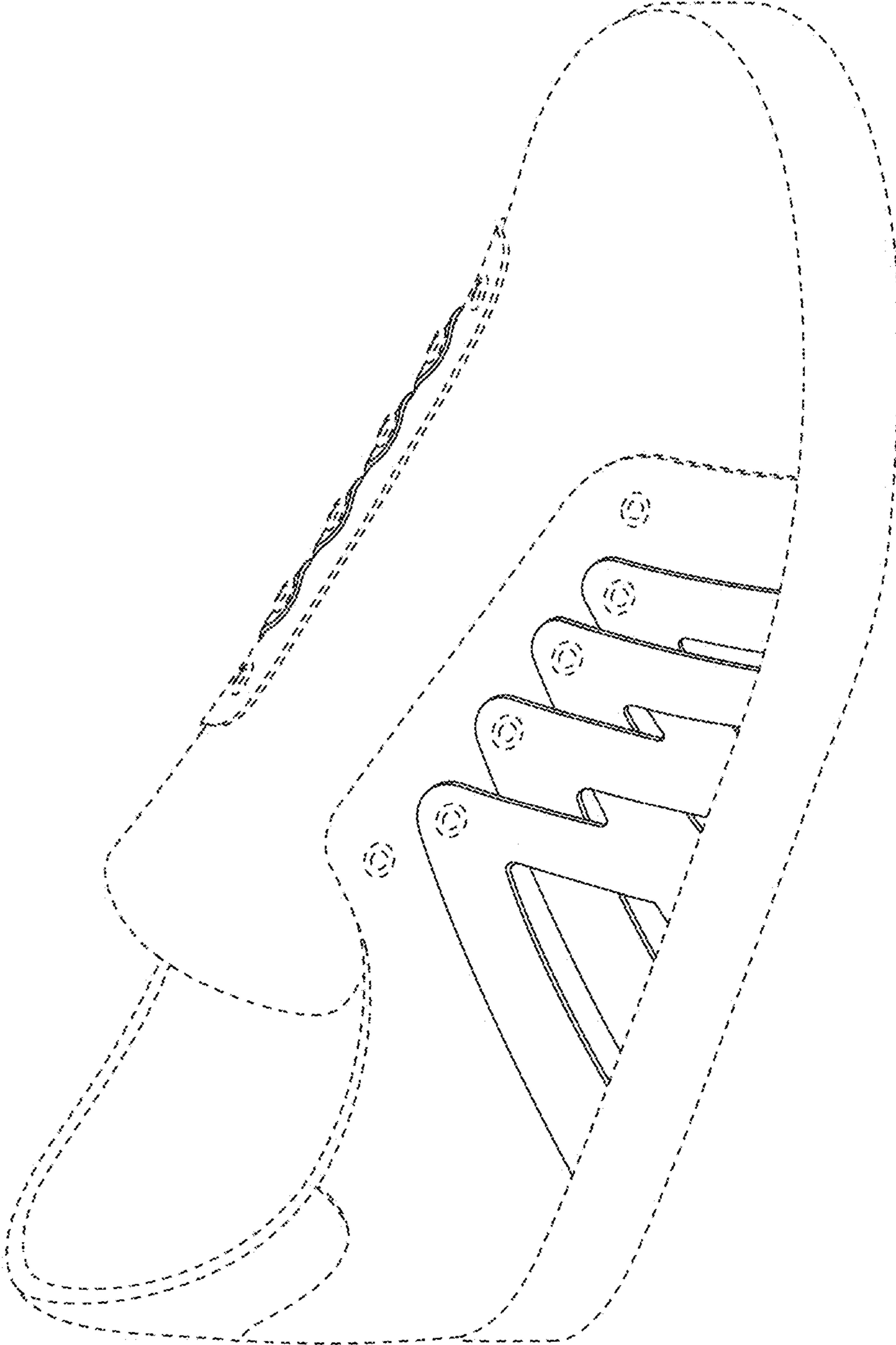


FIG. 1

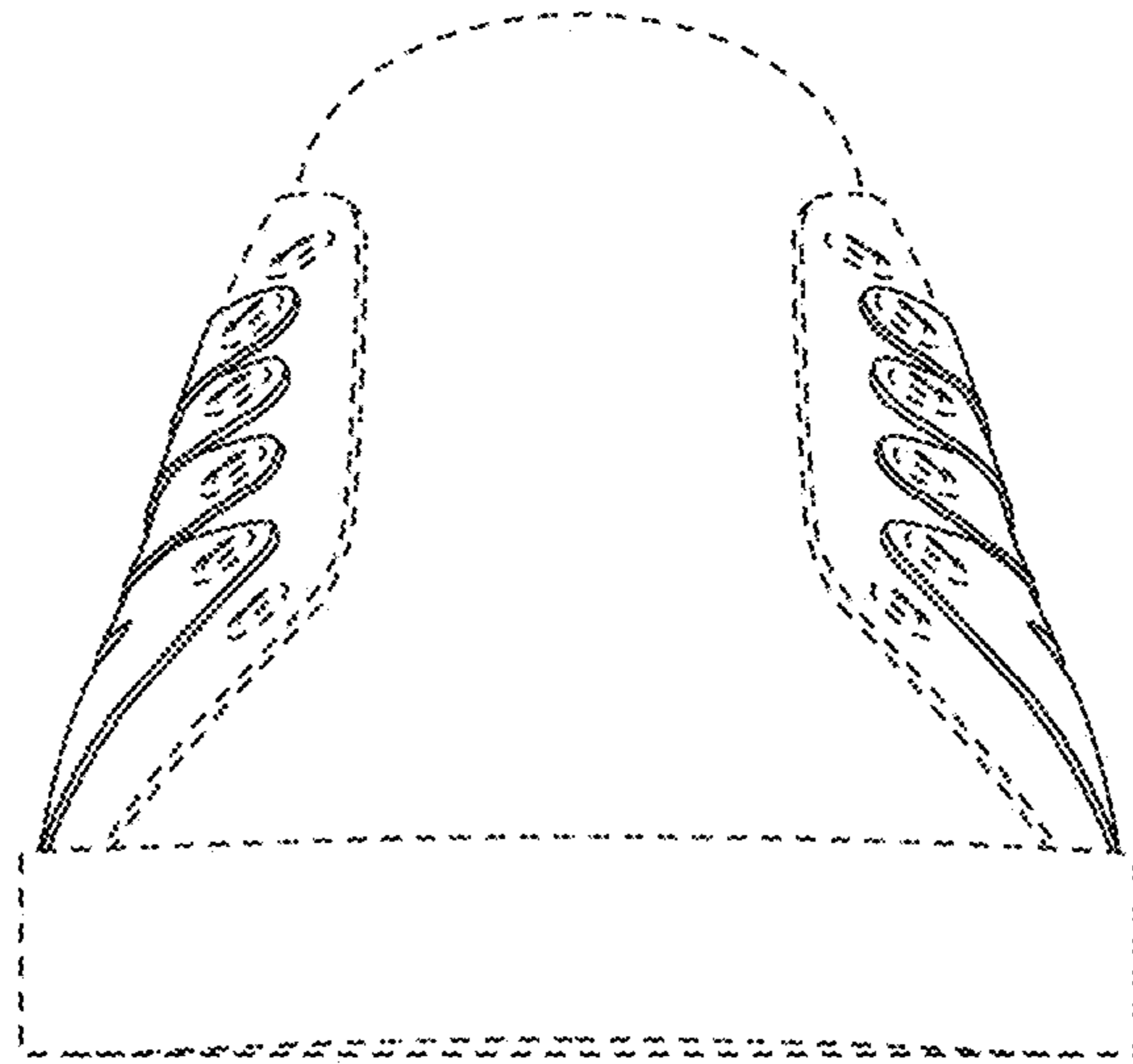


FIG. 2

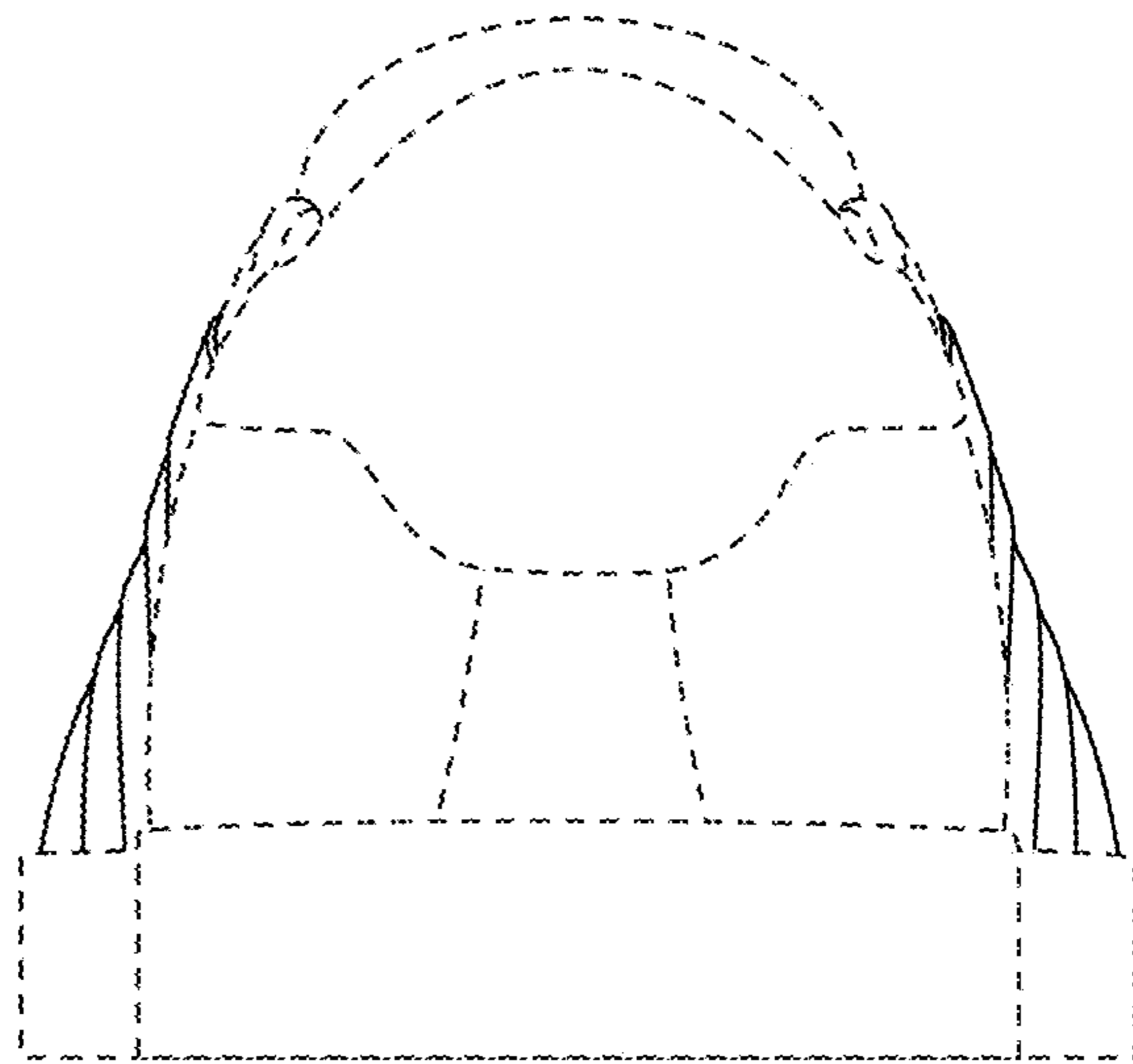


FIG. 3

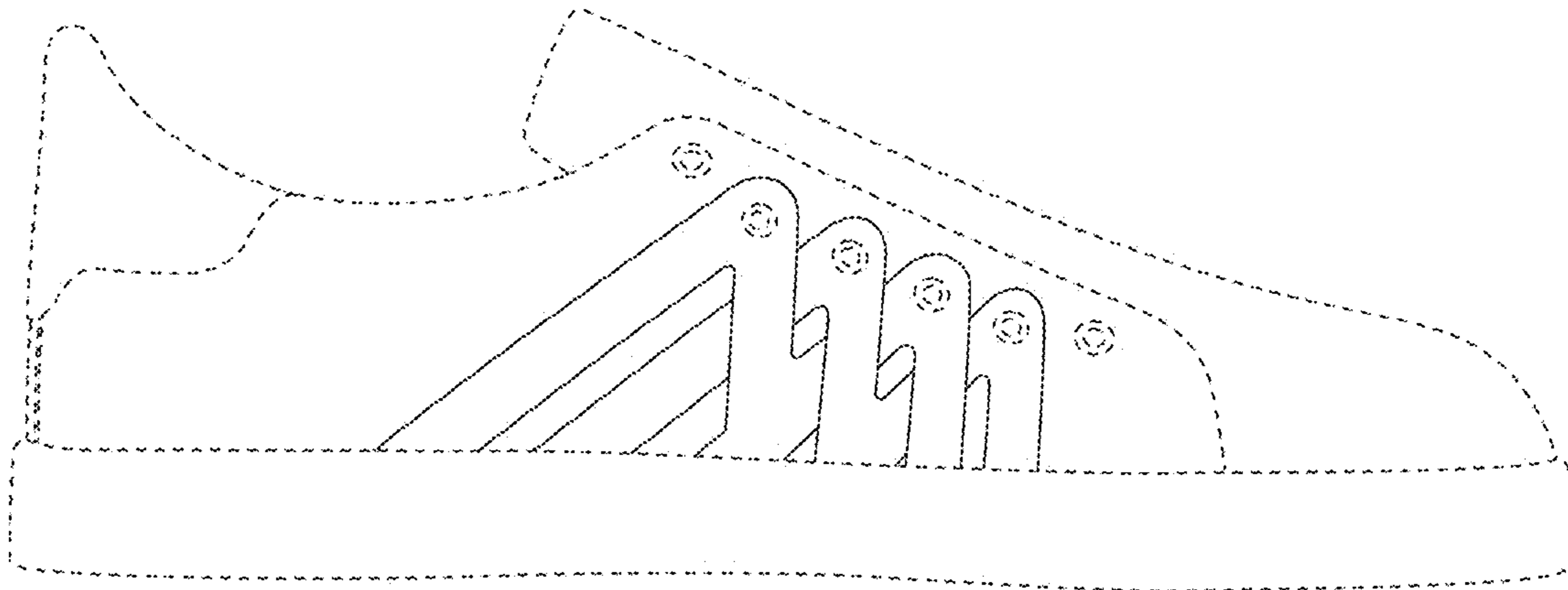


FIG. 4

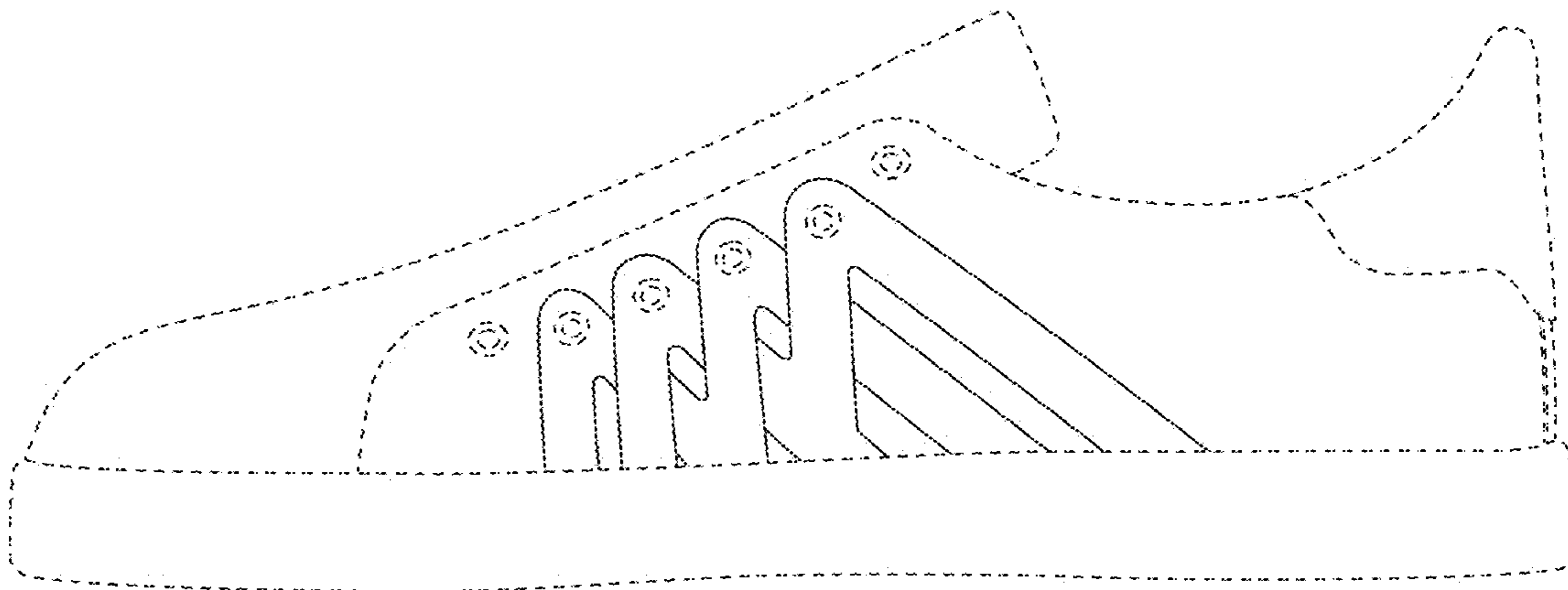


FIG. 5

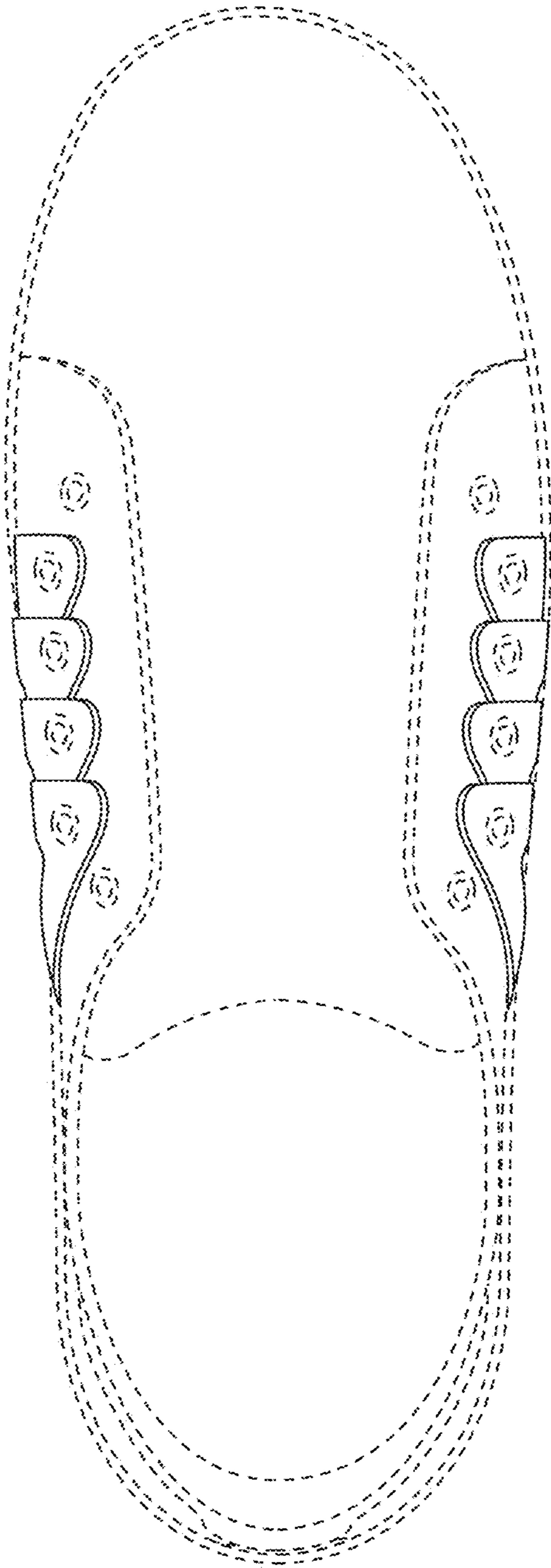


FIG. 6

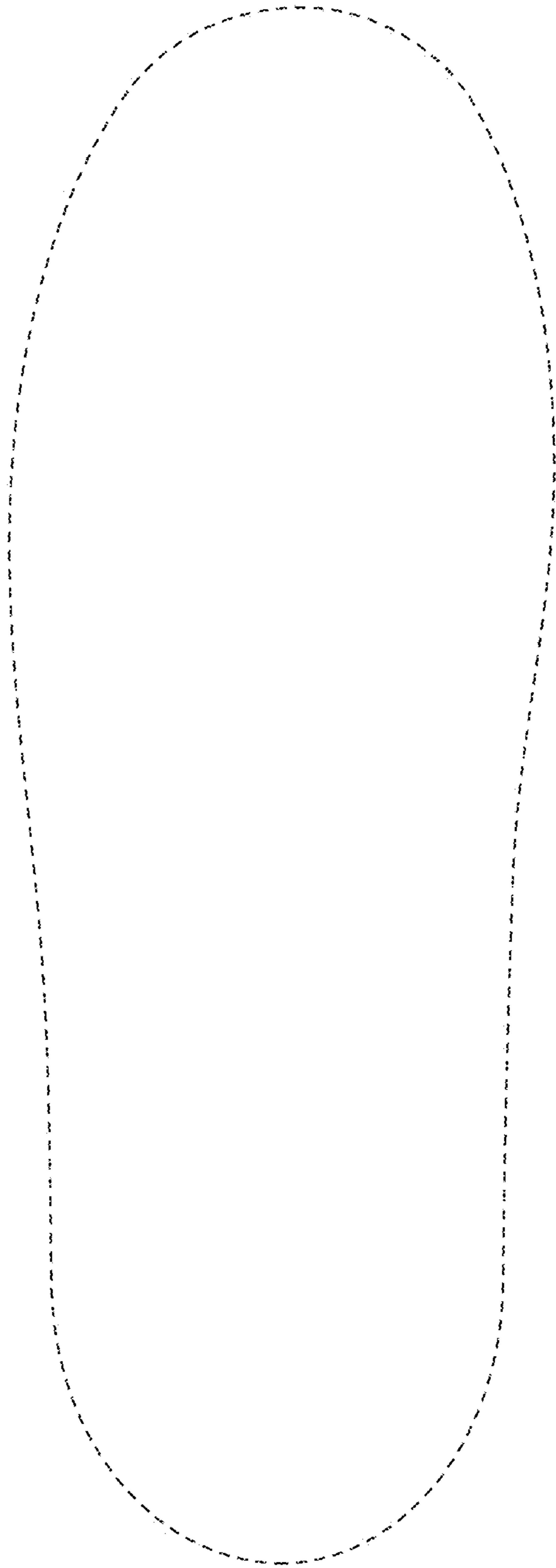


FIG. 7