

US00D891724S

(12) **United States Design Patent**  
**Wenjing et al.**

(10) **Patent No.:** **US D891,724 S**  
(45) **Date of Patent:** **\*\* Jul. 28, 2020**

- (54) **PERSONNEL LIFT VEHICLE**
- (71) Applicant: **Big Lift, LLC**, Lombard, IL (US)
- (72) Inventors: **Wu Wenjing**, Hangzhou (CN); **Xu Hongpeng**, Hangzhou (CN); **Xu Linjie**, Hangzhou (CN)
- (73) Assignee: **ZHEJIANG E-P EQUIPMENT CO., LTD.** (CN)

5,755,306 A	5/1998	Kraemer et al.	
5,803,204 A	9/1998	White et al.	
D409,349 S *	5/1999	Bidwell	D12/1
5,941,341 A	8/1999	Gillis et al.	
D424,777 S *	5/2000	Bidwell	D34/34
6,174,124 B1	1/2001	Haverfiled et al.	
6,241,047 B1	6/2001	Gilliland et al.	
7,140,467 B2	11/2006	Cook	
D579,621 S *	10/2008	Babel	D34/34
7,753,169 B1	7/2010	Kurtz	

(Continued)

(\*\*) Term: **15 Years**

**FOREIGN PATENT DOCUMENTS**

(21) Appl. No.: **29/641,691**

DE	102010036409 A1	1/2012
FR	2717456 A1	9/1995

(Continued)

(22) Filed: **Mar. 23, 2018**

*Primary Examiner* — Gino Colan

(51) **LOC (12) Cl.** ..... **12-05**

(74) *Attorney, Agent, or Firm* — Cook Alex Ltd.

(52) **U.S. Cl.**  
USPC ..... **D34/34**

(58) **Field of Classification Search**  
USPC ..... D34/28, 32, 30, 33, 34, 35, 36, 37;  
D25/62, 66, 67; 182/69.6, 141, 222, 14,  
182/148, 19

(57) **CLAIM**

We claim the ornamental design for a personnel lift device, as shown and described.

CPC ..... B66F 11/04; B66F 11/044; B66F 17/006;  
B66F 9/127; B66F 11/046; B66F 9/0655;  
B66F 9/12; B66B 9/16

**DESCRIPTION**

See application file for complete search history.

FIG. 1 is a left rear perspective view of a personnel lift device according to our new design;  
FIG. 2 is a right rear perspective view thereof;  
FIG. 3 is a left front perspective view thereof;  
FIG. 4 is a right front perspective view thereof;  
FIG. 5 is a right side elevational view thereof;  
FIG. 6 is a left side elevational view thereof;  
FIG. 7 is a front elevational view thereof;  
FIG. 8 is a rear elevational view thereof;  
FIG. 9 is a top plan view thereof; and,  
FIG. 10 is a bottom plan view thereof.

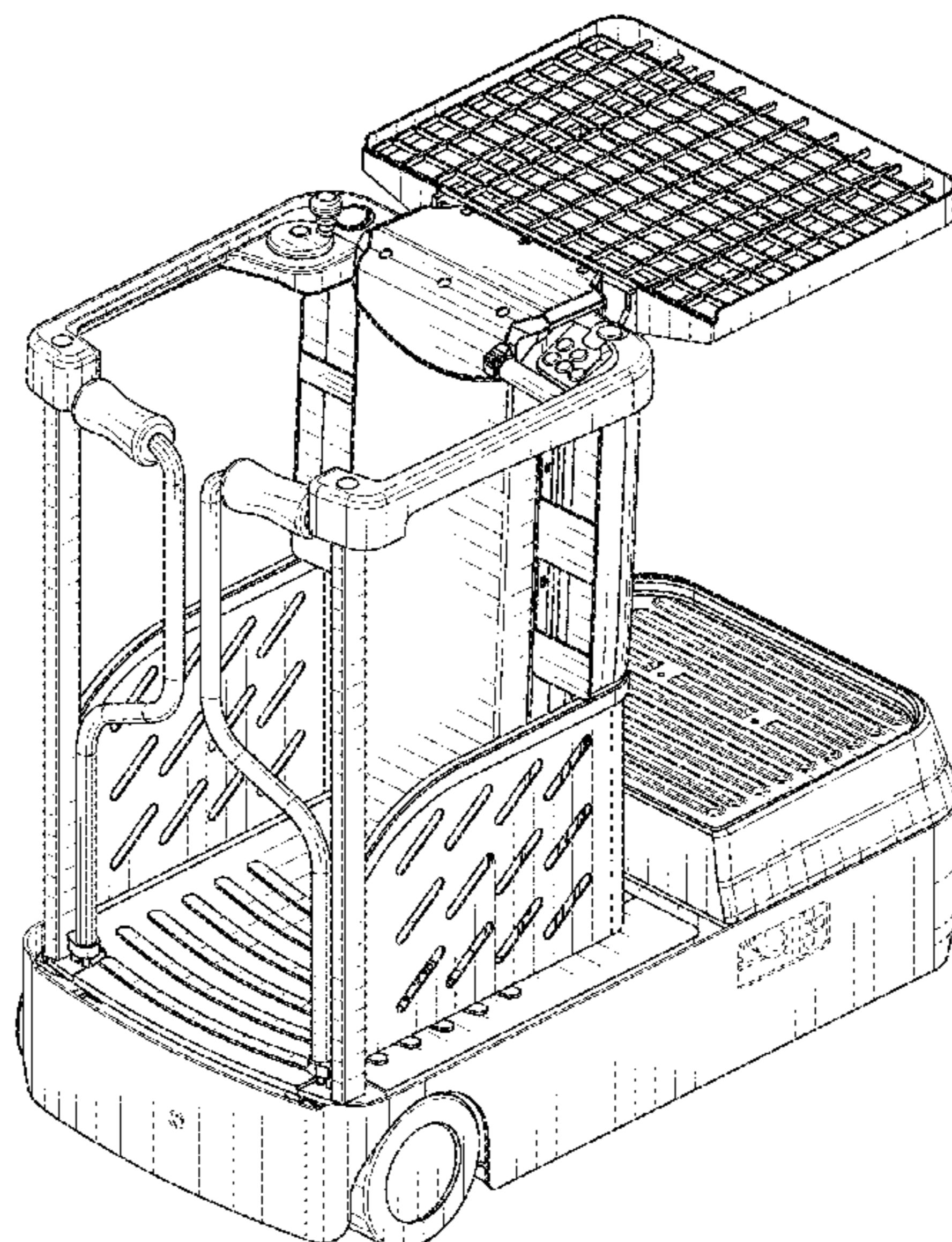
The broken lines shown in the figures are for the purpose of illustrating portions of the personnel lift vehicle and form no part of the claimed design.

(56) **References Cited**

**U.S. PATENT DOCUMENTS**

1,759,424 A	6/1928	Strauss
2,762,659 A	9/1956	Harlan et al.
3,180,450 A	4/1965	Crager et al.
3,344,885 A	10/1967	Rasmussen
3,417,841 A	12/1968	Lebre
3,666,046 A	5/1972	Meineck et al.
5,121,816 A	6/1992	Curtin
5,203,425 A	4/1993	Wehmeyer
5,273,132 A	12/1993	Sasaki et al.
5,322,408 A	3/1994	Eckersley et al.
5,425,433 A	6/1995	Huber
5,461,736 A	10/1995	Carpenter et al.

**1 Claim, 10 Drawing Sheets**



(56)

**References Cited**

U.S. PATENT DOCUMENTS

7,828,115 B2 11/2010 Sayles  
8,863,899 B2 10/2014 Solhjem et al.  
8,985,275 B2 3/2015 Solhjem et al.  
D730,614 S \* 5/2015 Wu ..... D34/34  
D733,389 S \* 6/2015 Wu ..... D34/34  
D733,390 S \* 6/2015 Wu ..... D34/34  
D734,589 S \* 7/2015 Wu ..... D34/34  
9,108,831 B2 8/2015 Beji  
9,212,038 B1 12/2015 Presti  
10,160,629 B2 \* 12/2018 Wenjing ..... B66F 11/04  
D882,204 S \* 4/2020 Wenjing ..... D34/34  
2007/0086880 A1 4/2007 Jordan  
2013/0168185 A1 7/2013 Huang et al.

FOREIGN PATENT DOCUMENTS

FR 2984292 A1 6/2013  
GB 135834 A 7/1920  
GB 885824 A 12/1961  
GB 2493487 A 2/2013  
WO WO 99/41186 8/1999

\* cited by examiner

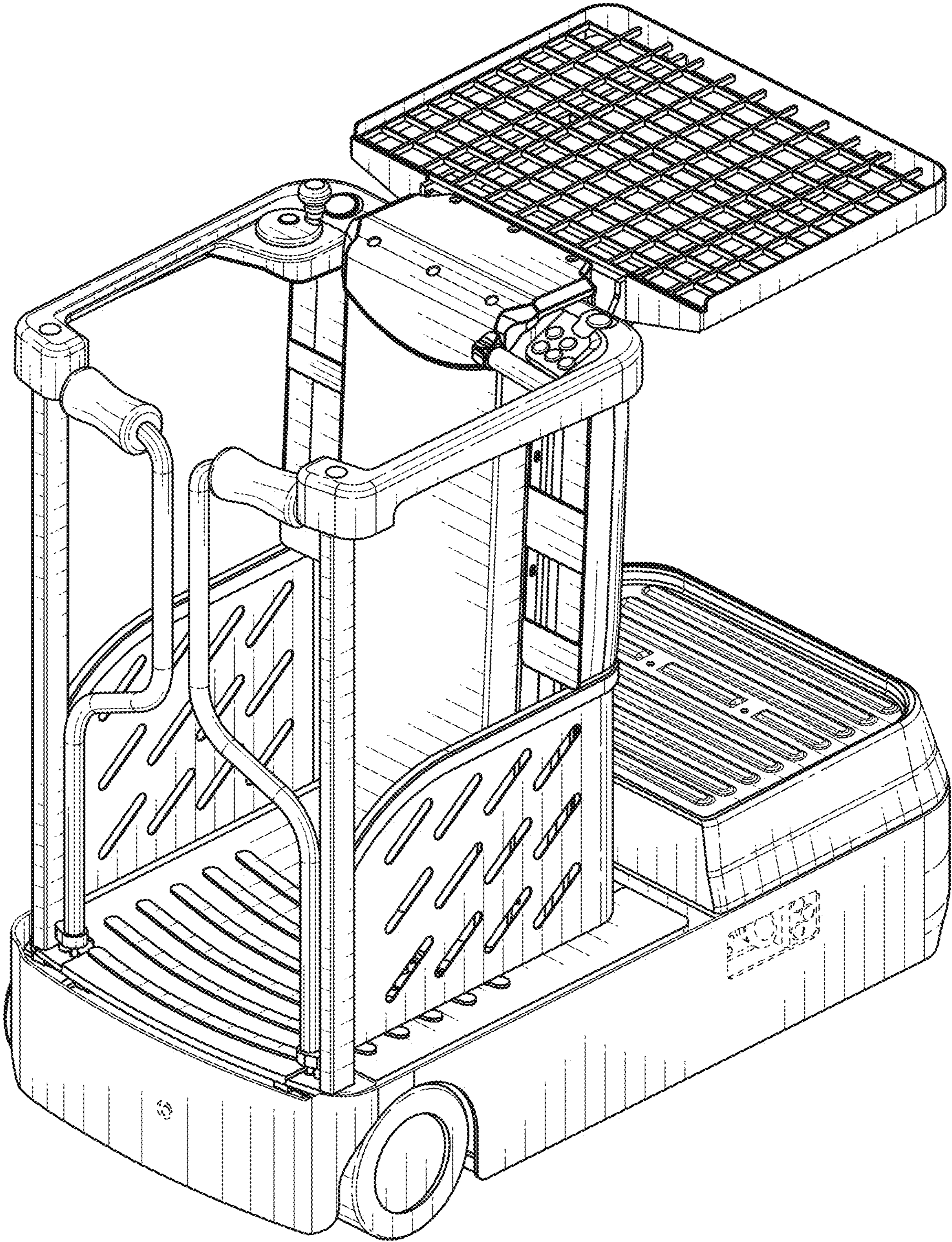


FIG. 1

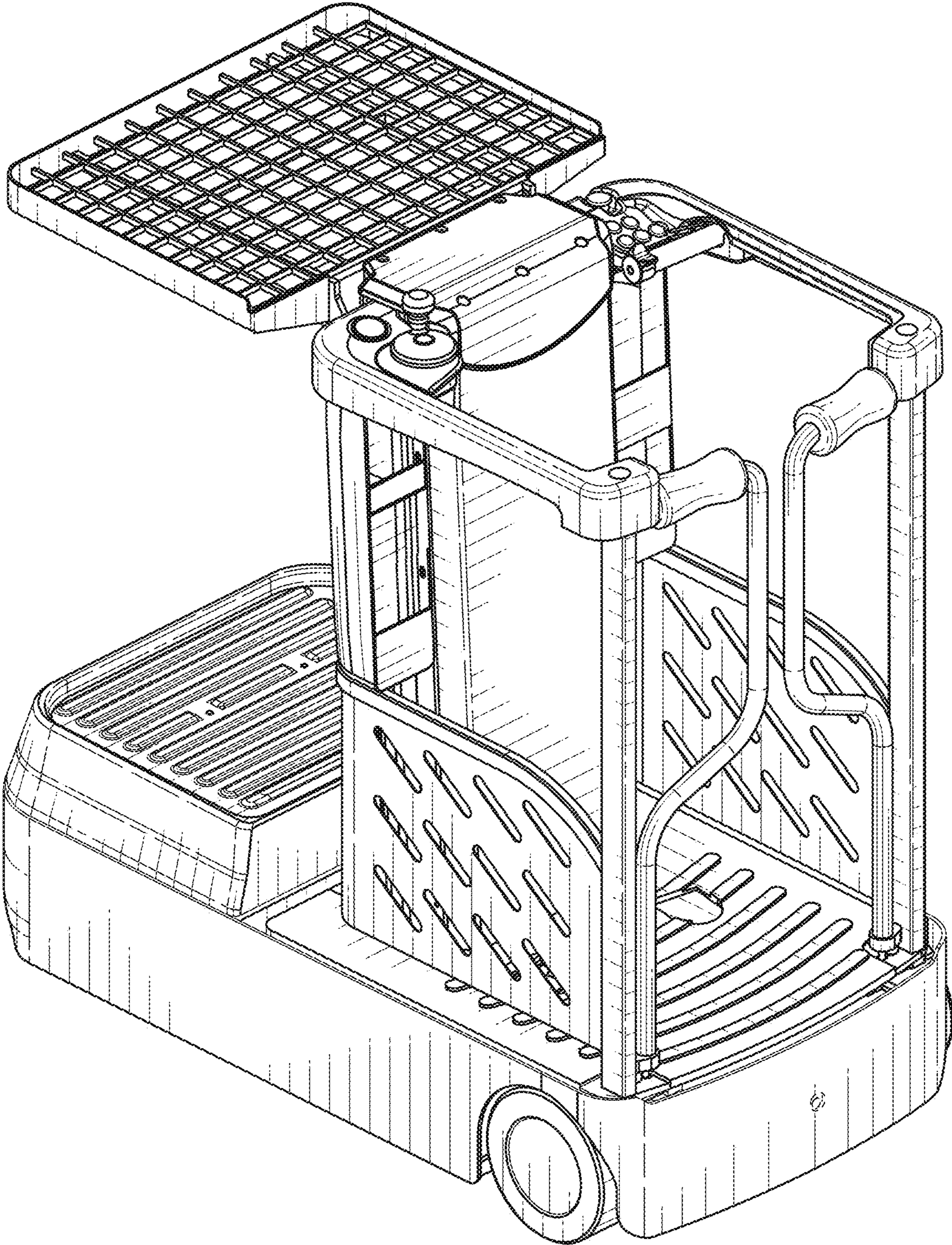


FIG. 2

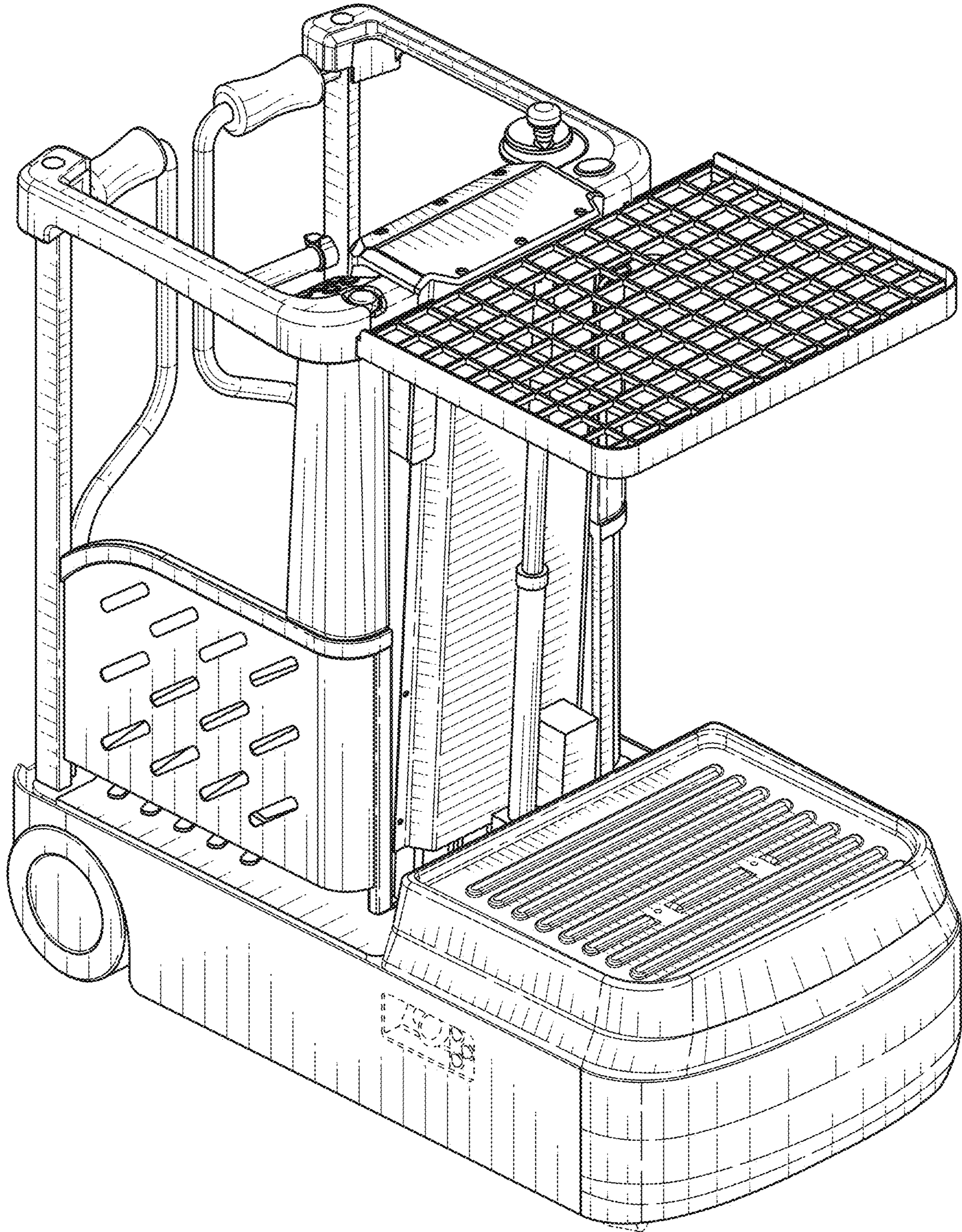


FIG. 3

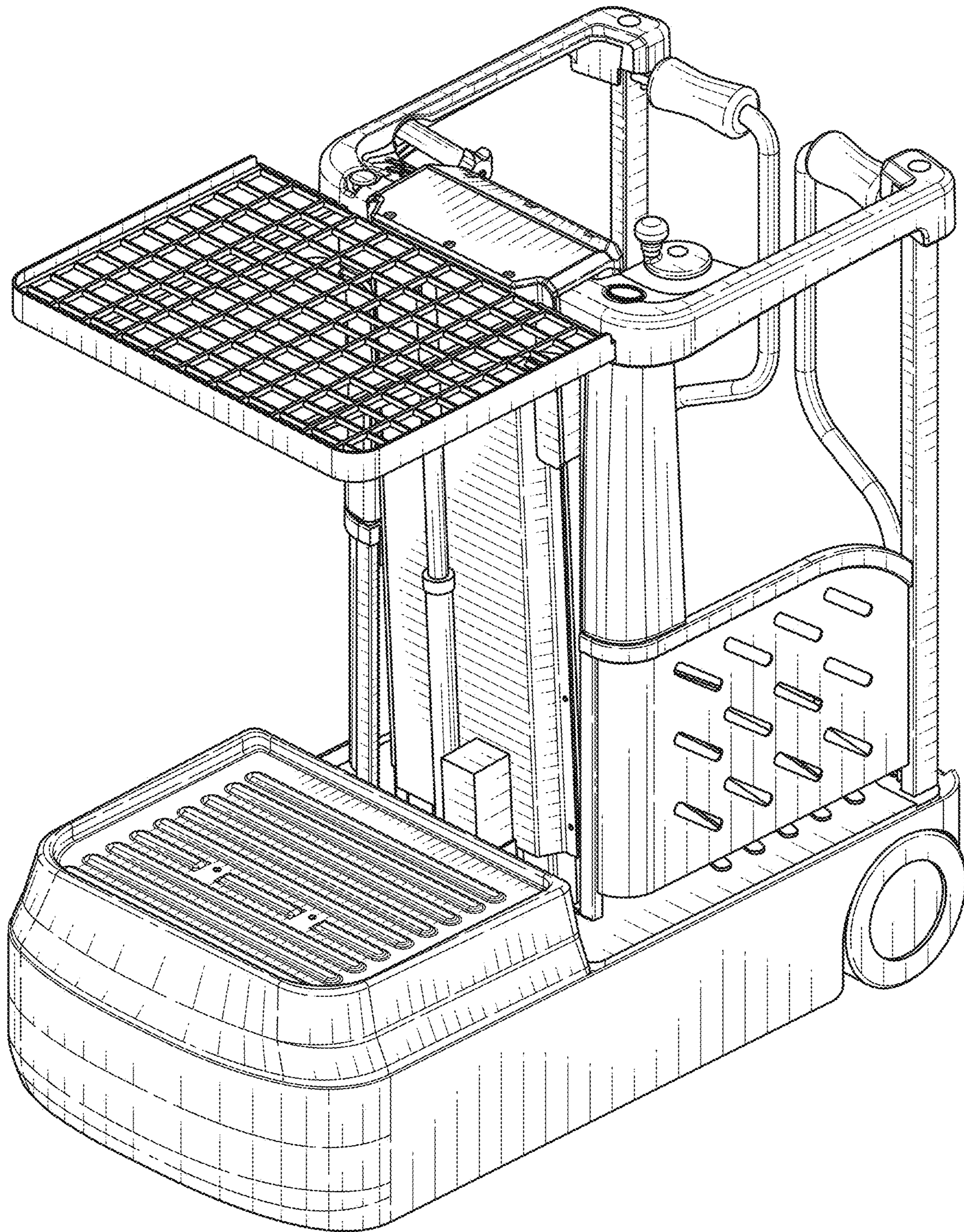


FIG. 4

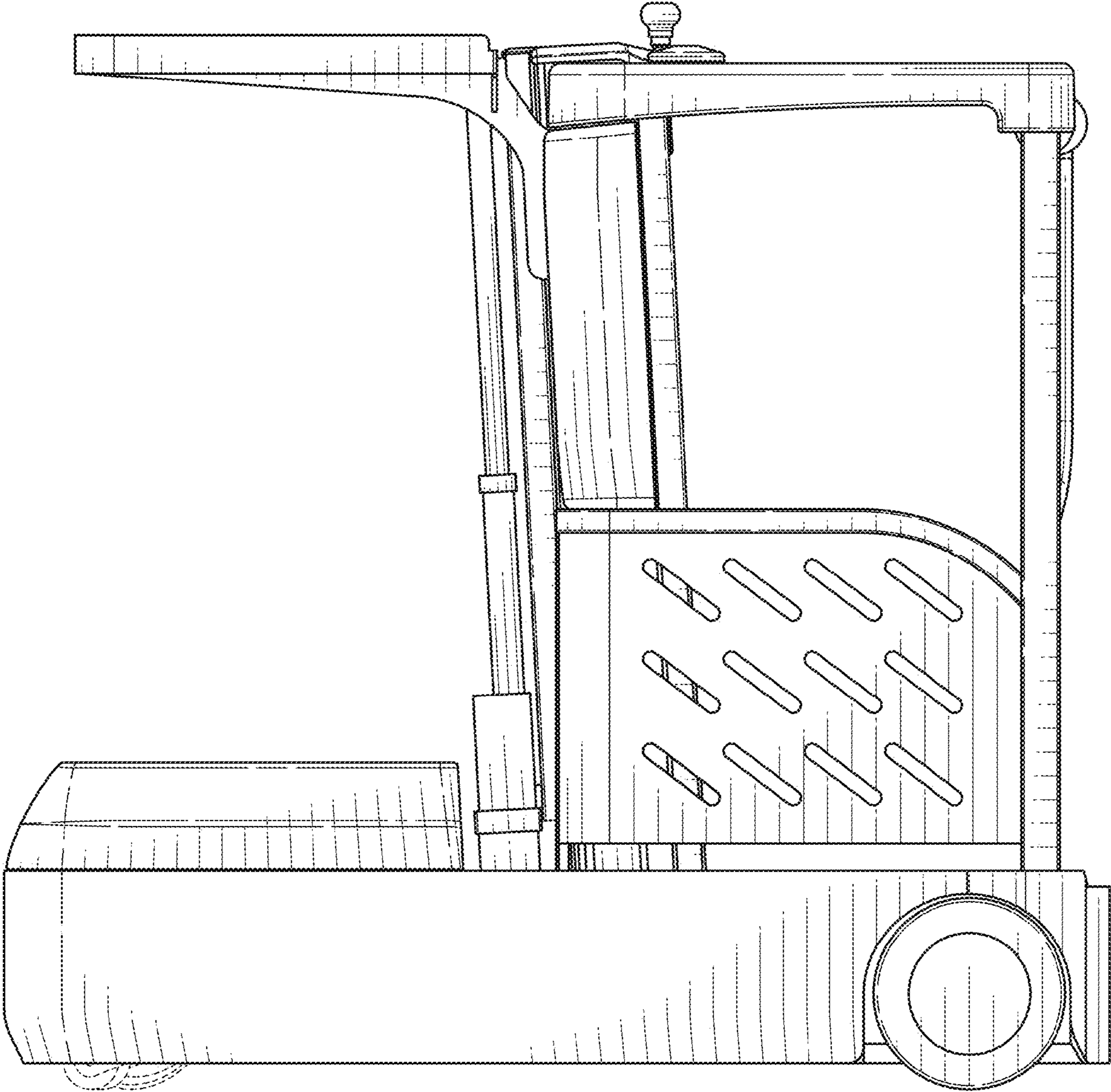


FIG. 5

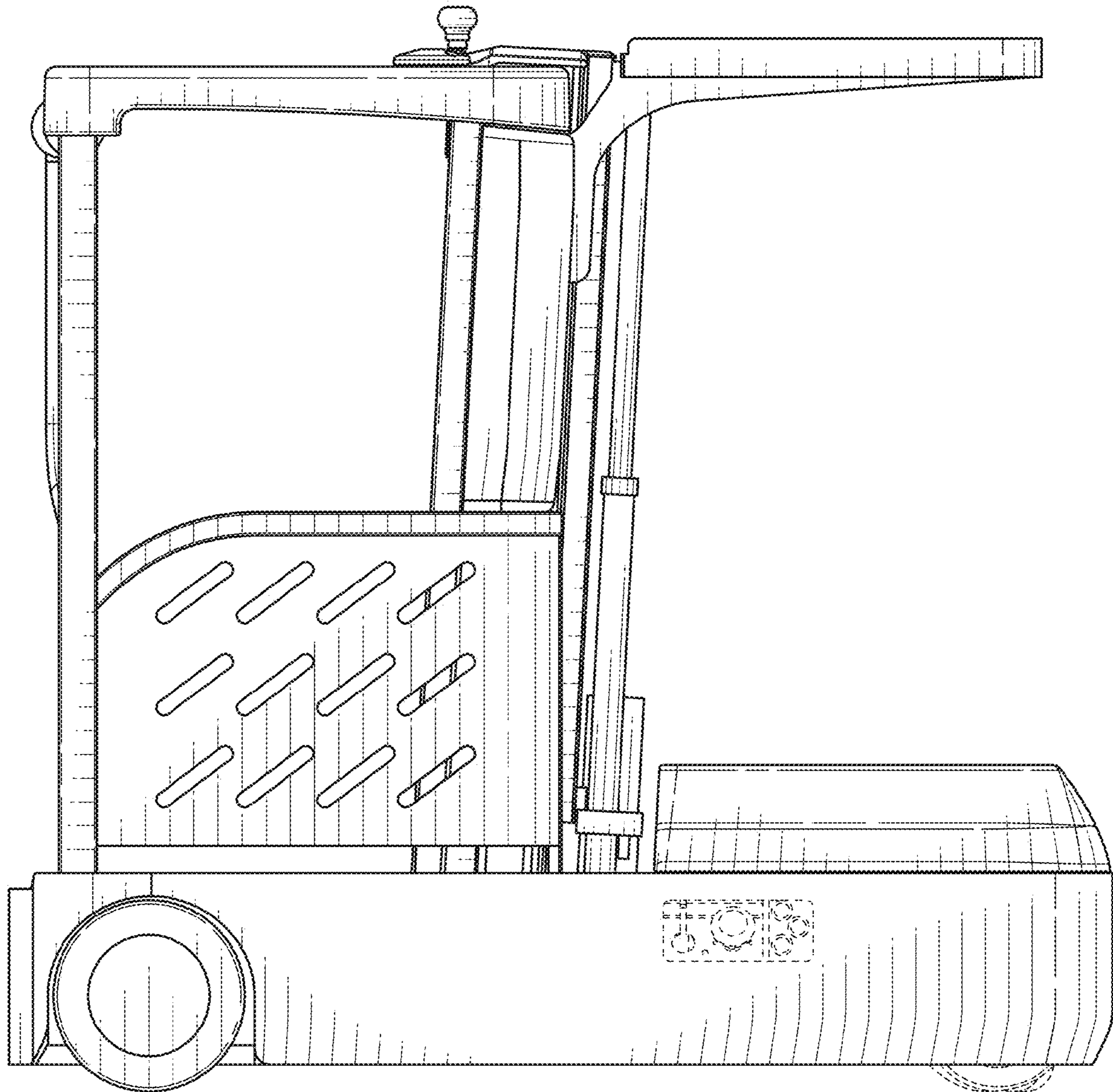


FIG. 6



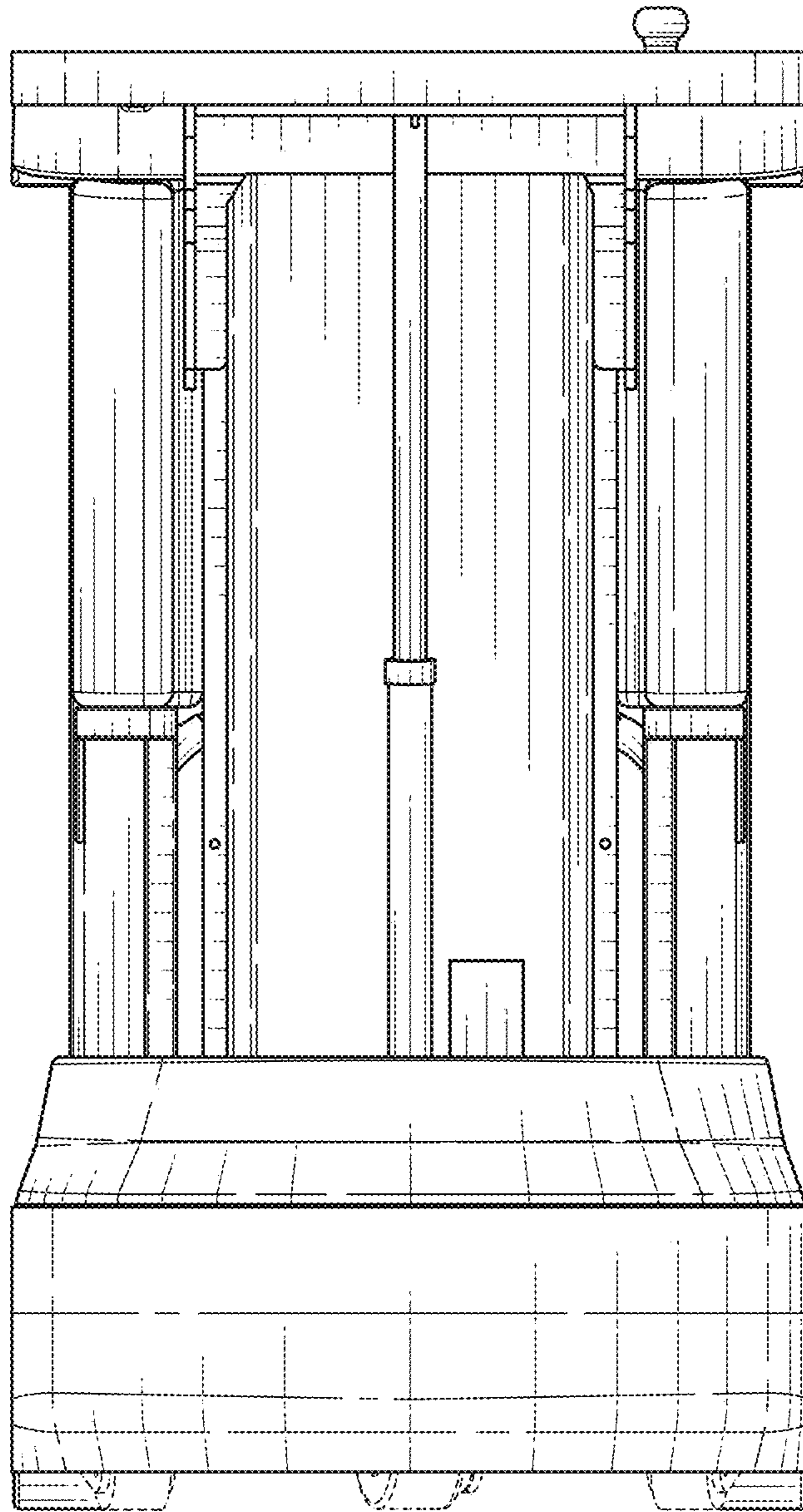


FIG. 7

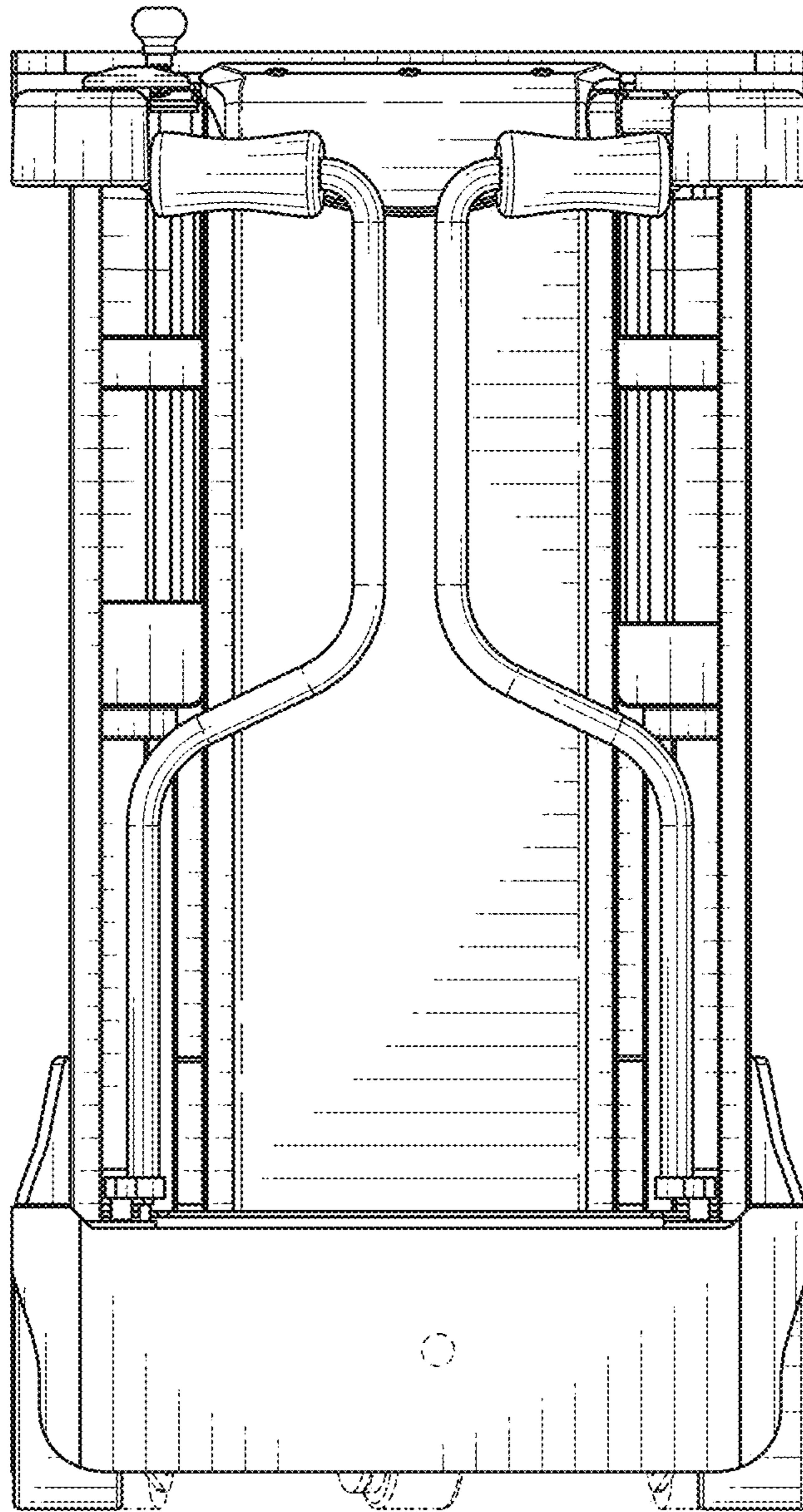


FIG. 8

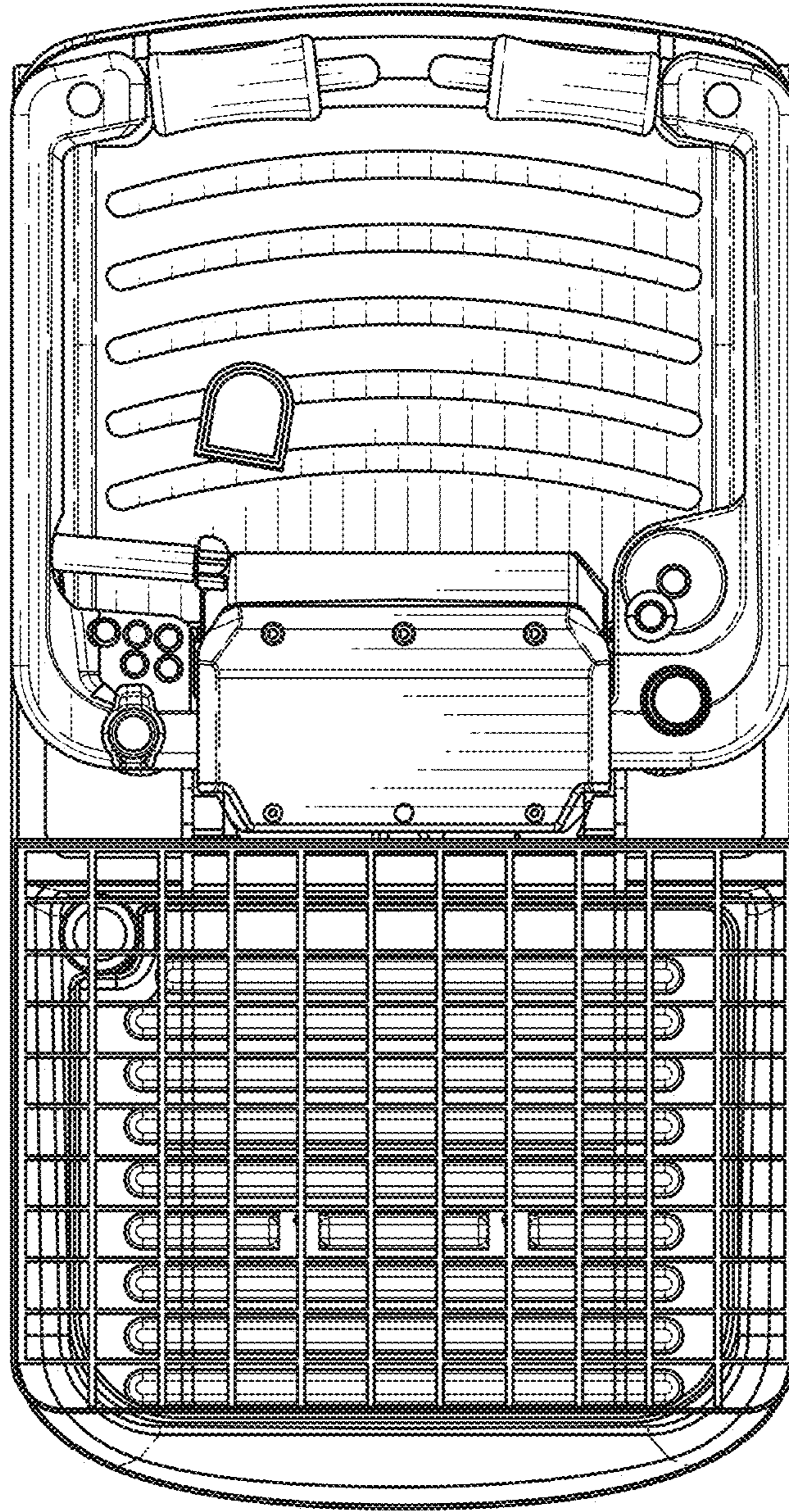


FIG. 9

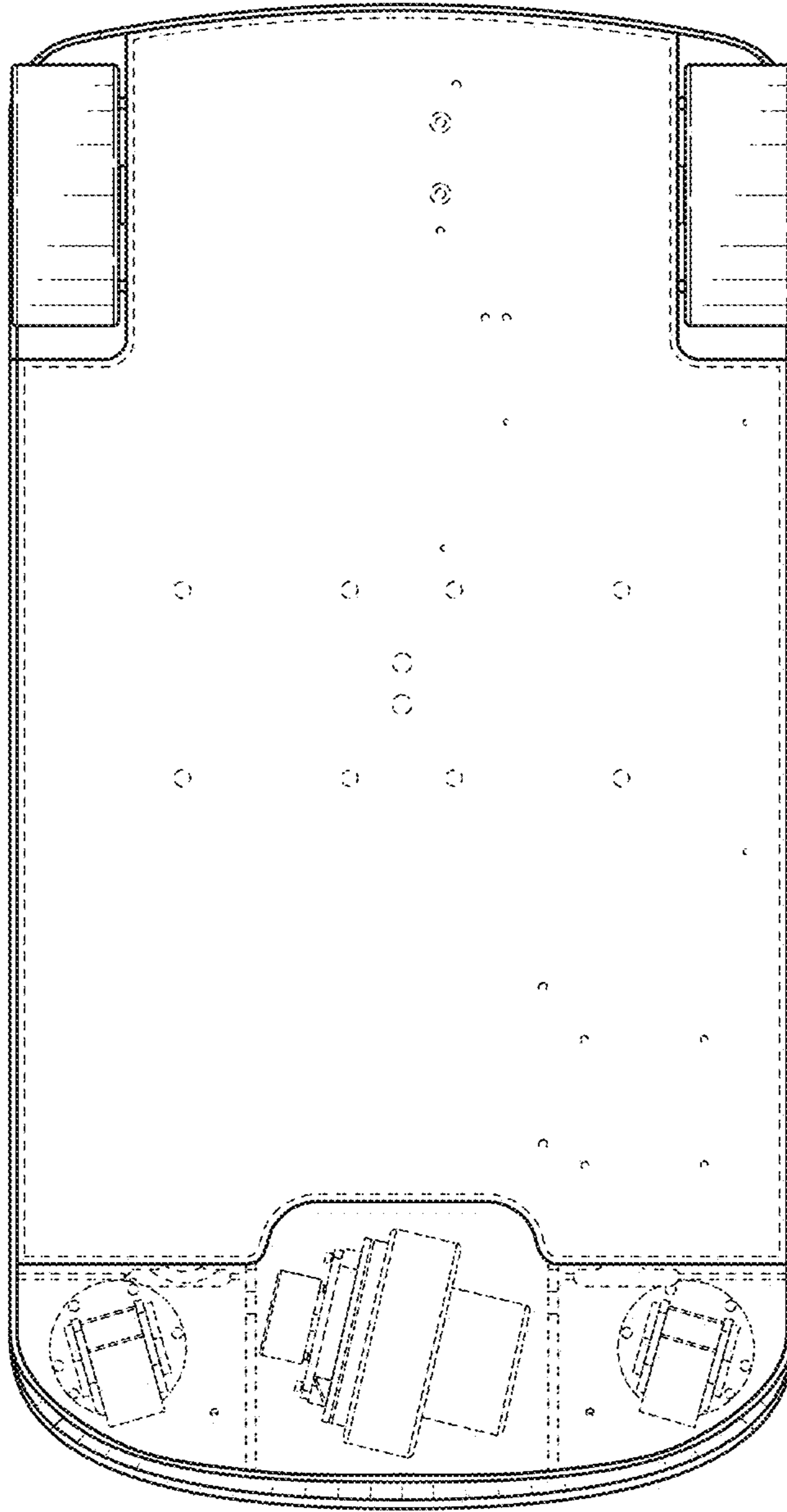


FIG. 10