



US00D891723S

(12) **United States Design Patent** (10) **Patent No.:** **US D891,723 S**  
**Nielsen** (45) **Date of Patent:** **\*\* Jul. 28, 2020**

(54) **LIFTING STRAP**

(71) Applicant: **Corey David Nielsen**, Boulder, CO  
(US)

(72) Inventor: **Corey David Nielsen**, Boulder, CO  
(US)

(\*\*) Term: **15 Years**

(21) Appl. No.: **29/680,318**

(22) Filed: **Feb. 14, 2019**

(51) **LOC (12) Cl.** ..... **12-05**

(52) **U.S. Cl.**  
USPC ..... **D34/28**

(58) **Field of Classification Search**  
USPC ..... D34/26, 27, 28, 29, 30, 31, 32, 33, 34,  
D34/35, 36, 37, 38, 39; D8/44; D3/327;  
D24/190

(Continued)

(56) **References Cited**

**U.S. PATENT DOCUMENTS**

2,431,780 A 12/1947 Theal  
D367,142 S \* 2/1996 Platt ..... D29/124

(Continued)

**FOREIGN PATENT DOCUMENTS**

CA 2920128 A1 4/2016  
JP H03205204 A 9/1991

**OTHER PUBLICATIONS**

Pale Trading Company, "Potlifter", accessed on Jun. 7, 2019 at:  
<https://paletrading.com/potlifter/>, 3 pages.

*Primary Examiner* — George A Bugg

*Assistant Examiner* — Tamara L Hahn

(74) *Attorney, Agent, or Firm* — Neugeboren O'Dowd PC

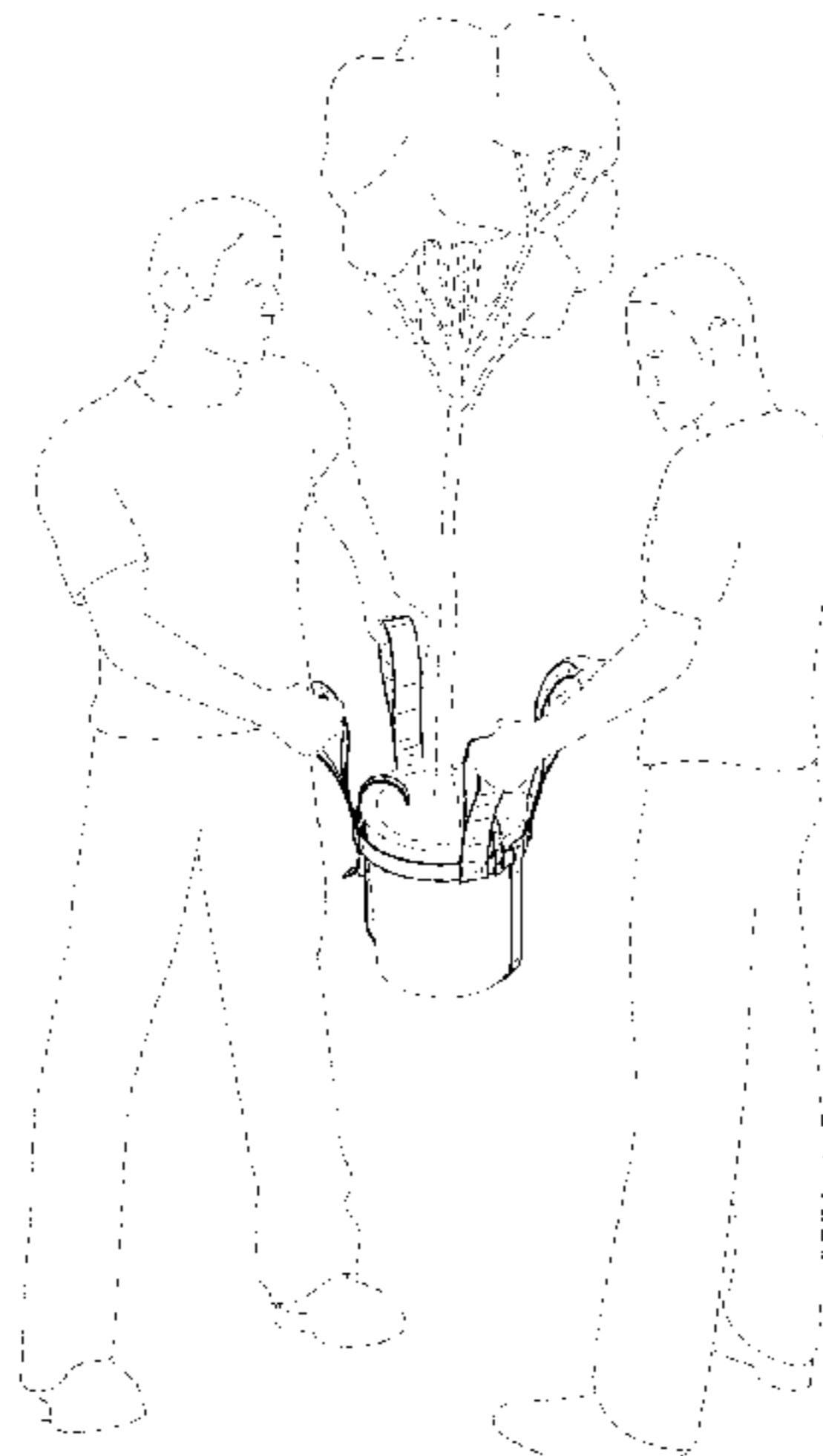
(57) **CLAIM**

The ornamental design for a lifting strap, as shown and described.

**DESCRIPTION**

FIG. 1 is a perspective view of an exemplary lifting strap according to the present disclosure;  
FIG. 2 is another perspective view of the lifting strap of FIG. 1;  
FIG. 3 is still another perspective view of the lifting strap of FIG. 1;  
FIG. 4 is yet another perspective view of the lifting strap of FIG. 1;  
FIG. 5 is a front perspective view of the lifting strap of FIG. 1;  
FIG. 6 is a rear perspective view of the lifting strap of FIG. 1;  
FIG. 7 is a front view of the lifting strap of FIG. 1;  
FIG. 8 is a rear view of the lifting strap of FIG. 1;  
FIG. 9 is a right side view of the lifting strap of FIG. 1;  
FIG. 10 is a left side view of the lifting strap of FIG. 1;  
FIG. 11 is a top view of the lifting strap of FIG. 1;  
FIG. 12 is a bottom view of the lifting strap of FIG. 1;  
FIG. 13 is a perspective view of another lifting strap according to the present disclosure;  
FIG. 14 is another perspective view of the lifting strap of FIG. 13;  
FIG. 15 is still another perspective view of the lifting strap of FIG. 13;  
FIG. 16 is yet another perspective view of the lifting strap of FIG. 13;  
FIG. 17 is a front perspective view of the lifting strap of FIG. 13;  
FIG. 18 is a rear perspective view of the lifting strap of FIG. 13;  
FIG. 19 is a front view of the lifting strap of FIG. 13;  
FIG. 20 is a rear view of the lifting strap of FIG. 13;  
FIG. 21 is a right side view of the lifting strap of FIG. 13;  
FIG. 22 is a left side view of the lifting strap of FIG. 13;  
FIG. 23 is a top view of the lifting strap of FIG. 13; and,  
FIG. 24 is a bottom view of the lifting strap of FIG. 13.  
The belt and harness straps are shown with a symbolic break in their lengths. The appearance of any portion of the article between the break lines forms no part of the claimed design.

(Continued)



The broken lines represent portions of the structure that form no part of the claim.

**1 Claim, 24 Drawing Sheets**

(58) **Field of Classification Search**

CPC .... B66C 1/12; B65G 7/00; B65G 7/12; B65G 9/00

See application file for complete search history.

(56)

**References Cited**

U.S. PATENT DOCUMENTS

5,503,448 A 4/1996 Dewey  
 D377,467 S \* 1/1997 Weimer ..... D24/190  
 5,607,237 A \* 3/1997 LaFleur ..... B65D 88/1681  
 383/117  
 5,833,292 A 11/1998 Lyons, Jr.  
 D410,335 S \* 6/1999 Raich ..... D3/315  
 5,993,062 A \* 11/1999 Shackleton ..... B65D 88/1681  
 383/17  
 6,039,376 A 3/2000 Lopreiato

6,161,885 A \* 12/2000 Walker ..... B65D 25/285  
 294/150  
 D437,623 S \* 2/2001 Ormsby ..... D21/662  
 D464,686 S \* 10/2002 Silveira ..... D21/662  
 6,729,511 B2 5/2004 Dent, III  
 D492,835 S \* 7/2004 Michaels ..... D34/38  
 7,331,493 B2 2/2008 Dent, III  
 D704,937 S \* 5/2014 Cutler ..... D3/327  
 8,807,403 B2 8/2014 Nielsen  
 9,101,202 B2 8/2015 Nielsen  
 D741,067 S \* 10/2015 Votel ..... D3/327  
 9,174,810 B1 \* 11/2015 DiSpazio ..... B65G 65/23  
 9,596,922 B2 3/2017 Nielsen  
 D787,829 S 5/2017 Kohn  
 9,930,955 B2 4/2018 Nielsen  
 2003/0136807 A1 7/2003 Falzone et al.  
 2005/0103813 A1 5/2005 Edwards  
 2007/0084893 A1 \* 4/2007 Godshaw ..... A45F 3/14  
 224/257  
 2009/0200106 A1 \* 8/2009 McKay ..... A62B 35/0006  
 182/3  
 2010/0025445 A1 2/2010 Brunson et al.  
 2016/0183665 A1 \* 6/2016 Nielsen ..... A45F 3/14  
 224/157  
 2020/0115162 A1 \* 4/2020 Kreitzer ..... B65G 7/12

\* cited by examiner

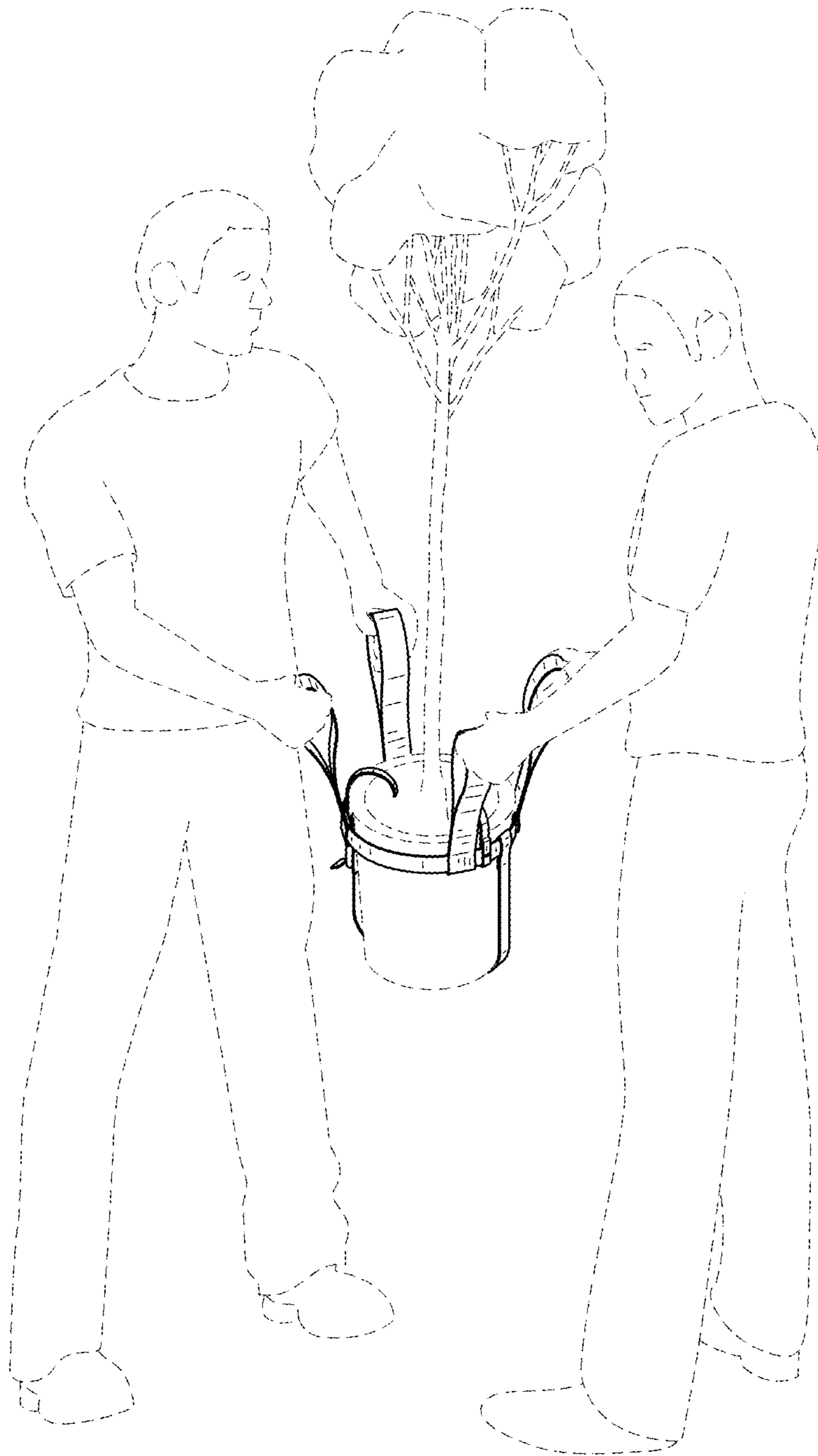


FIG.1

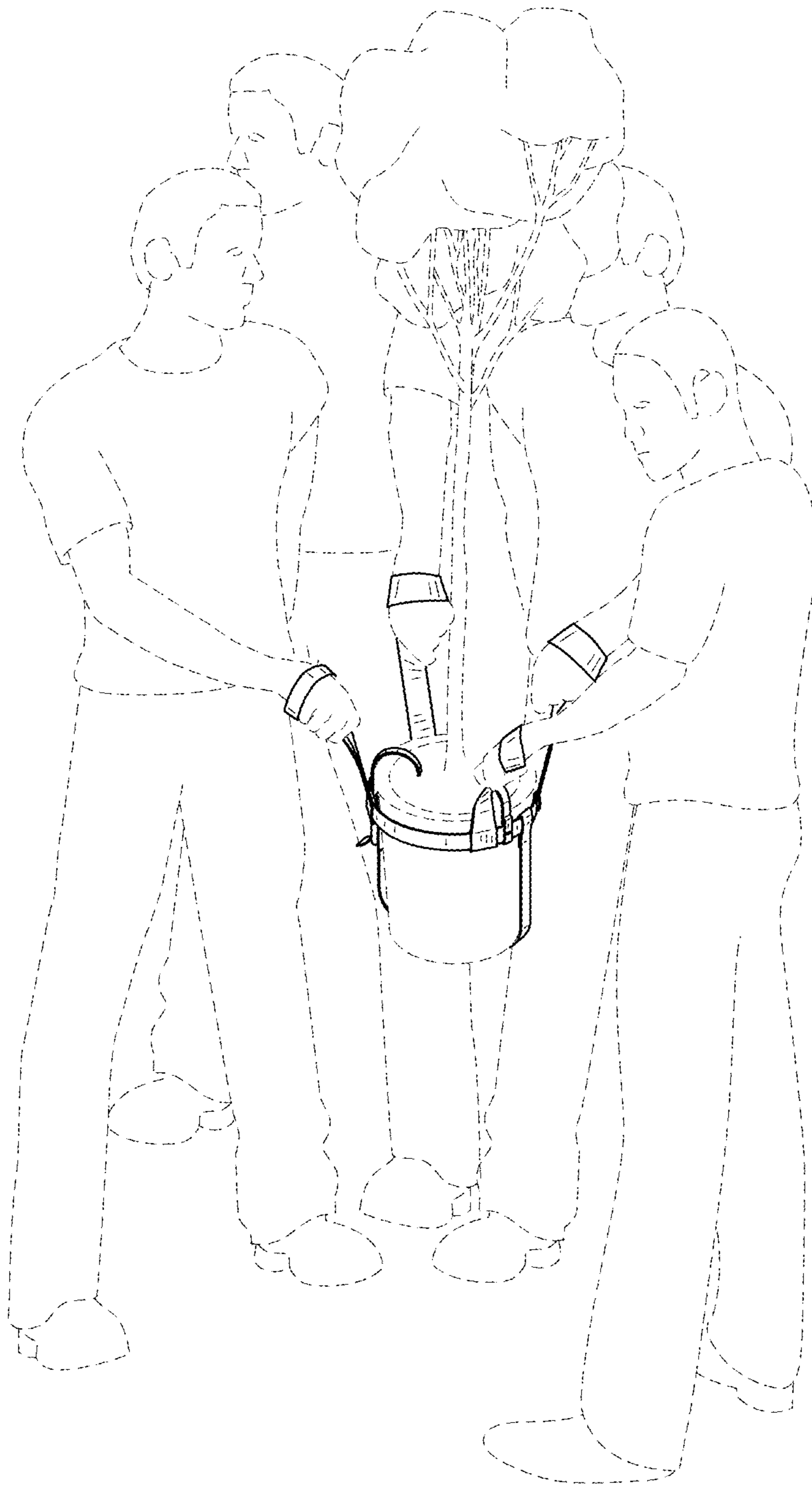


FIG.2

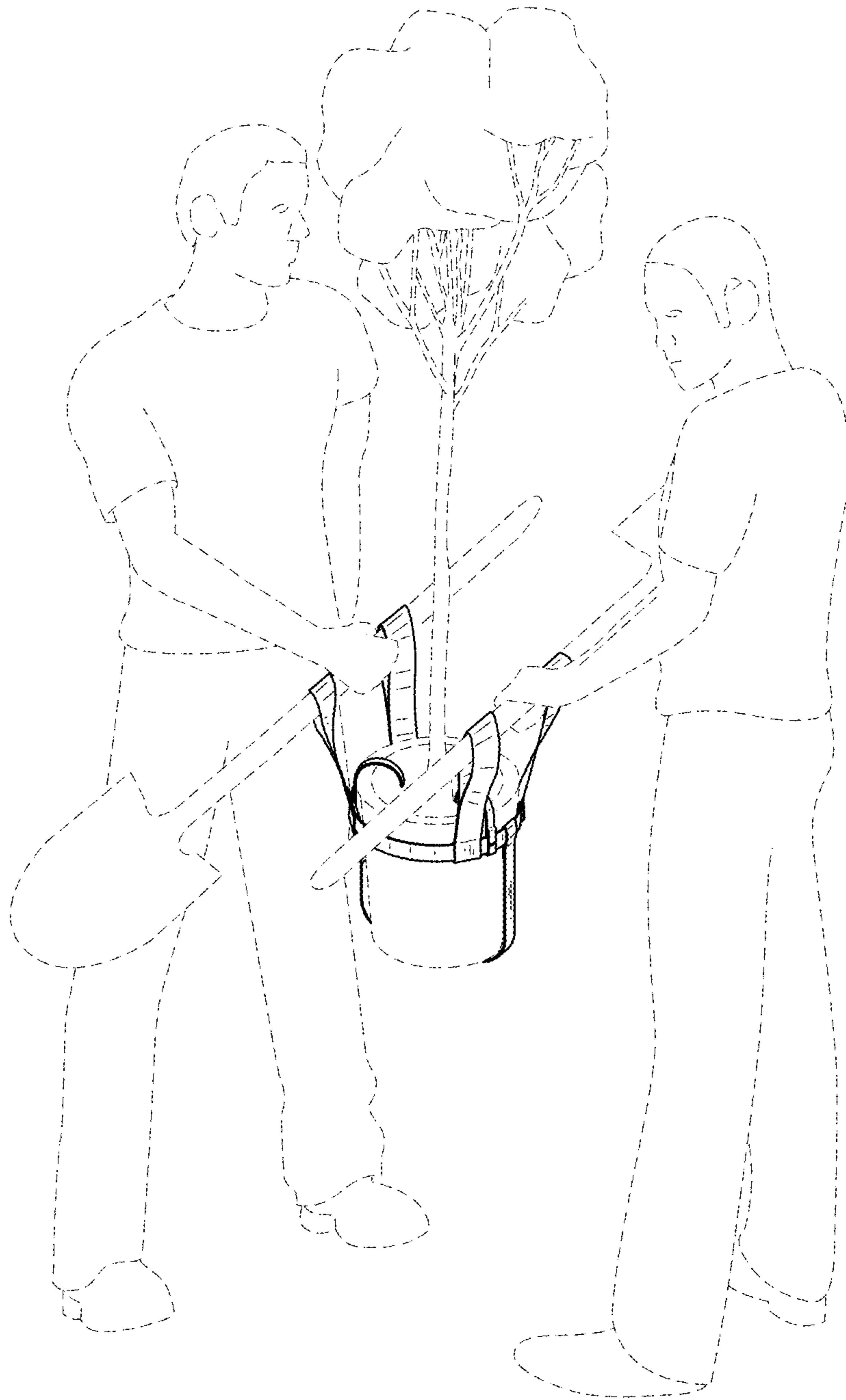


FIG.3

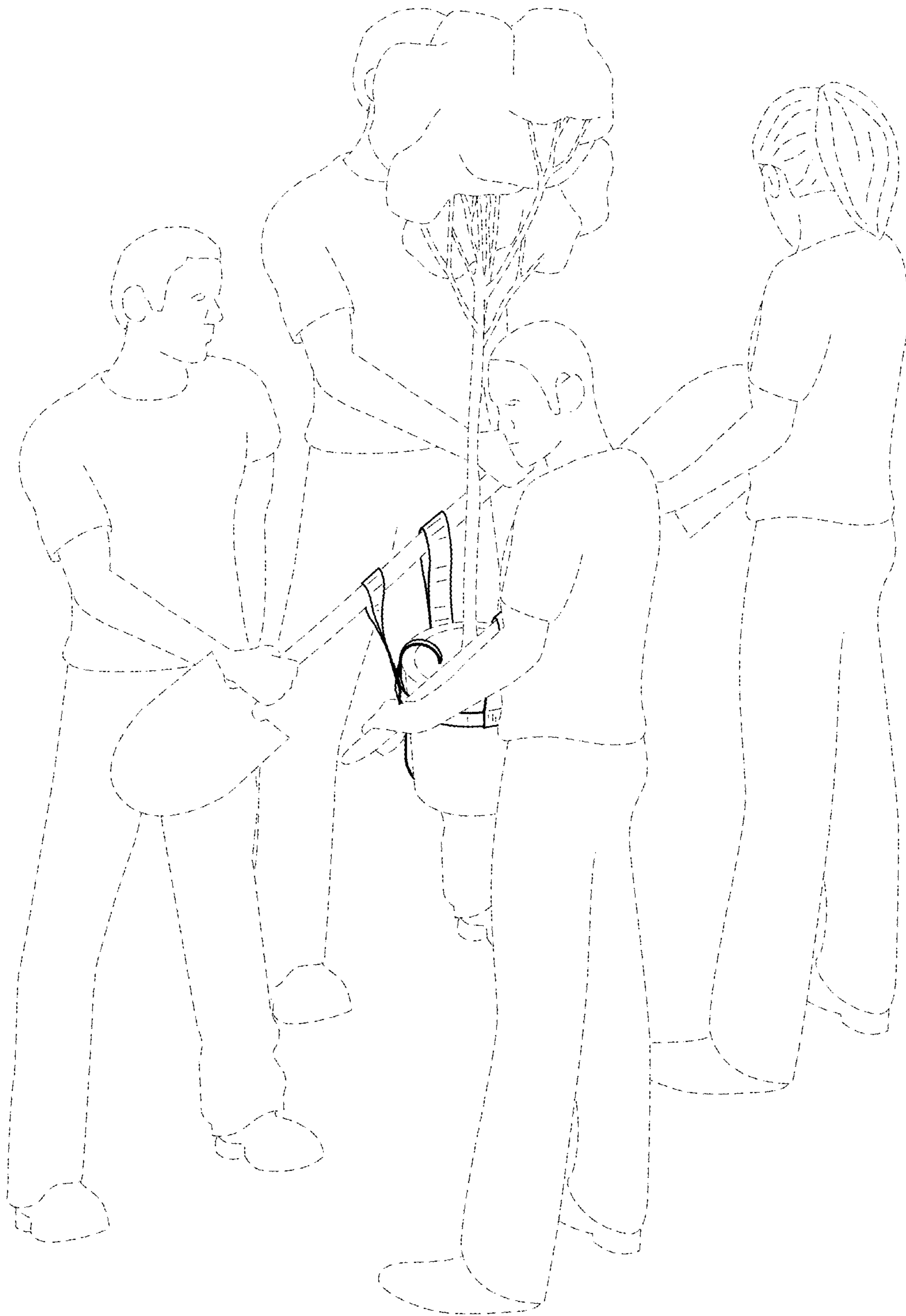


FIG.4

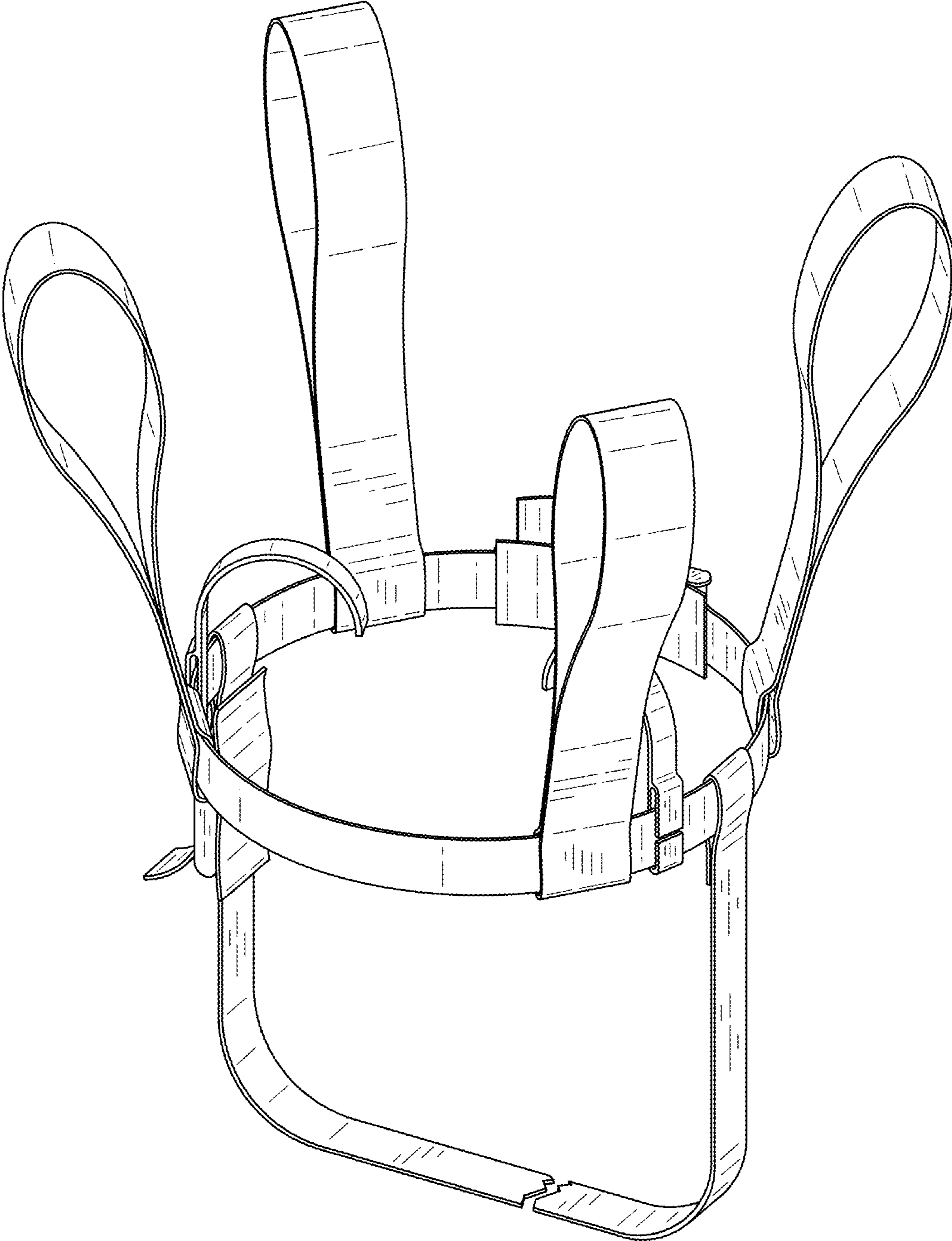


FIG.5

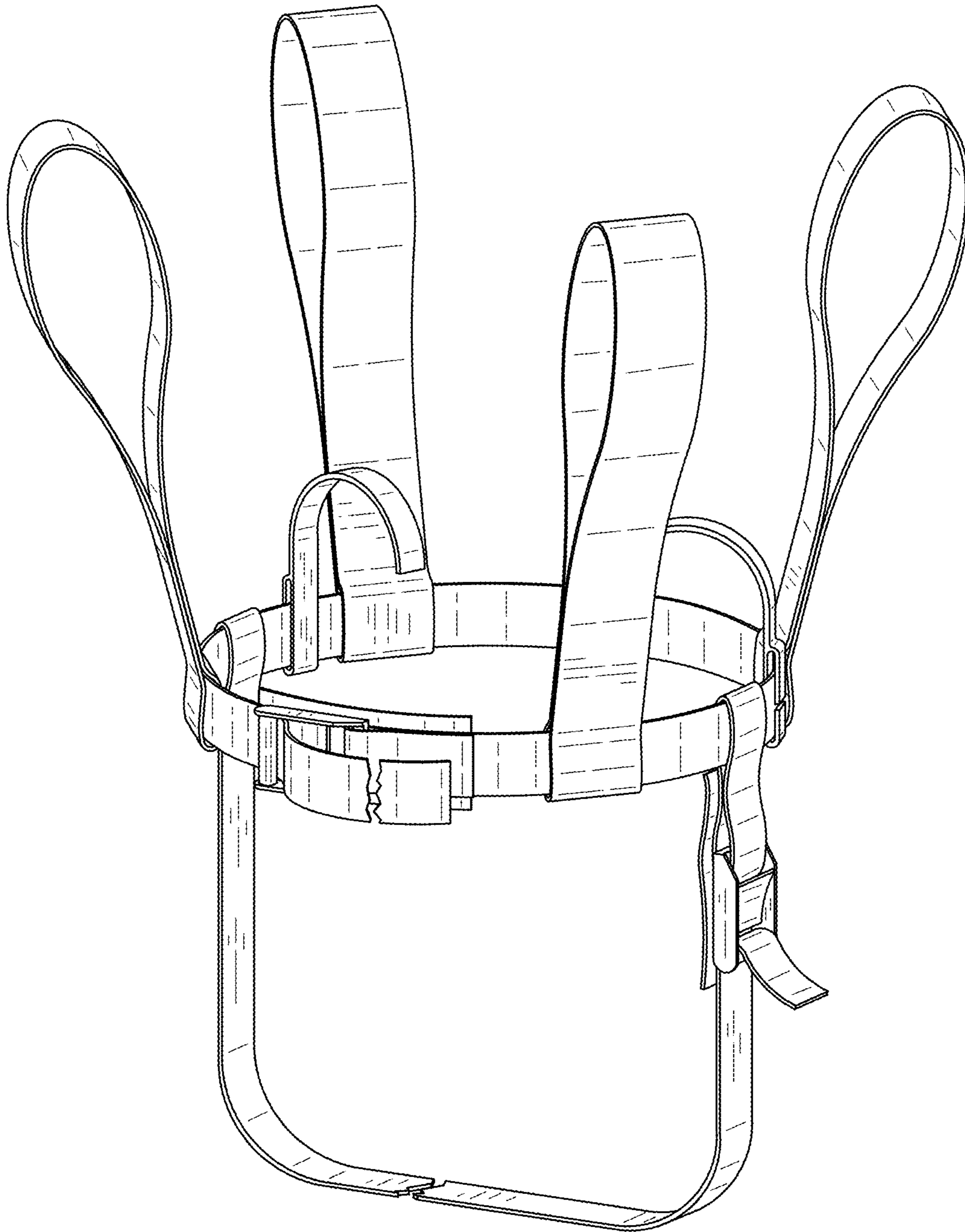


FIG. 6



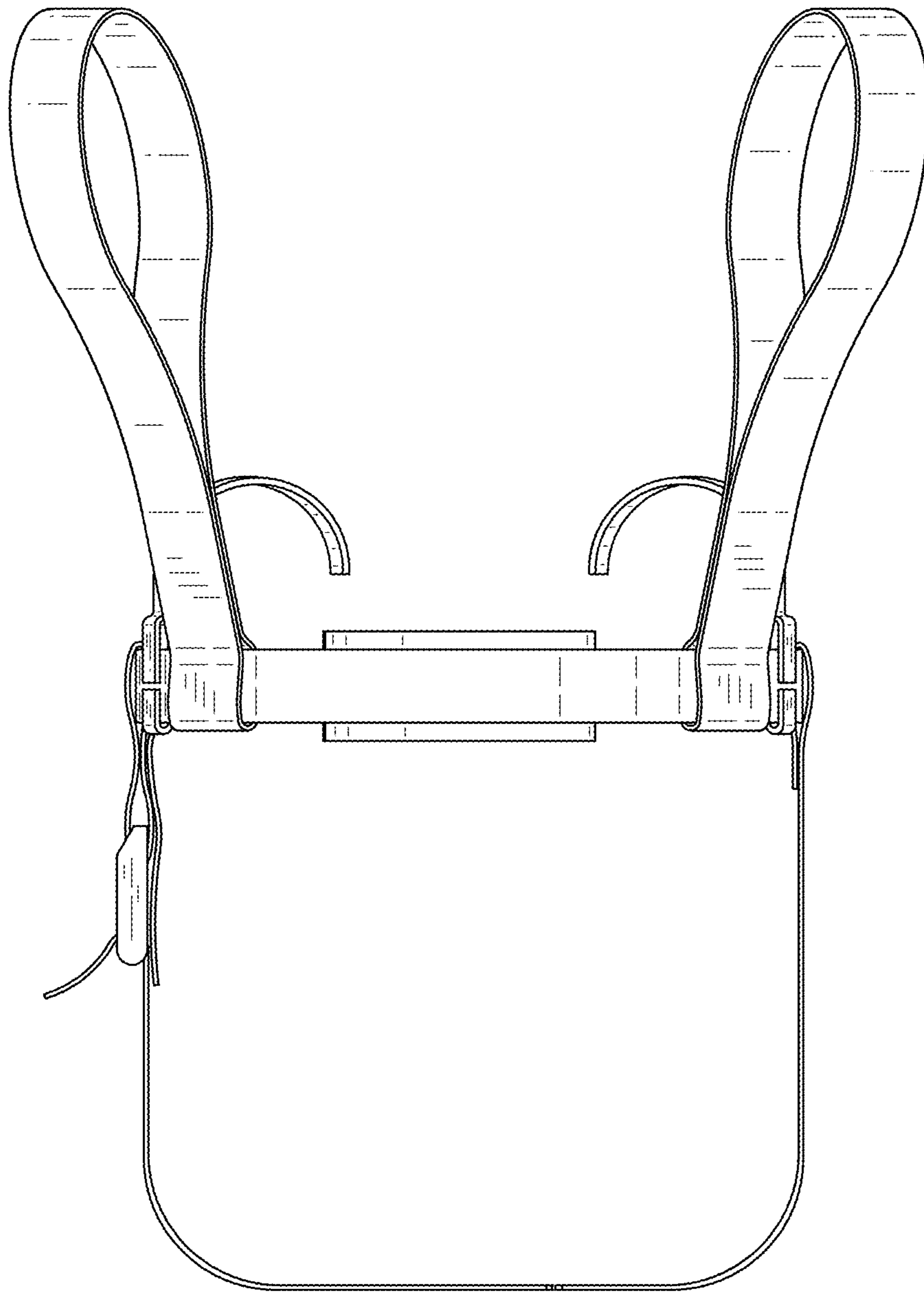


FIG. 7

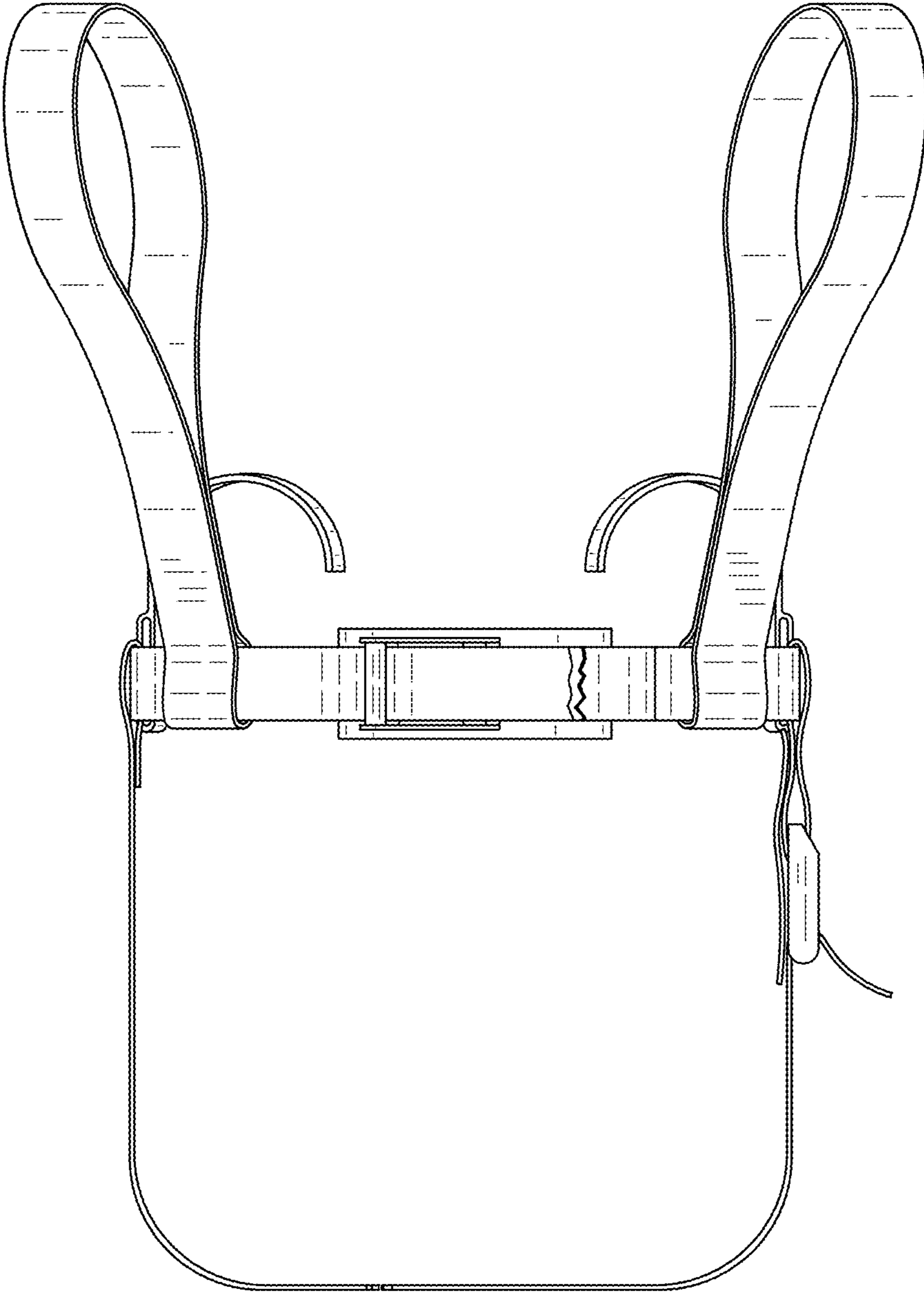


FIG.8

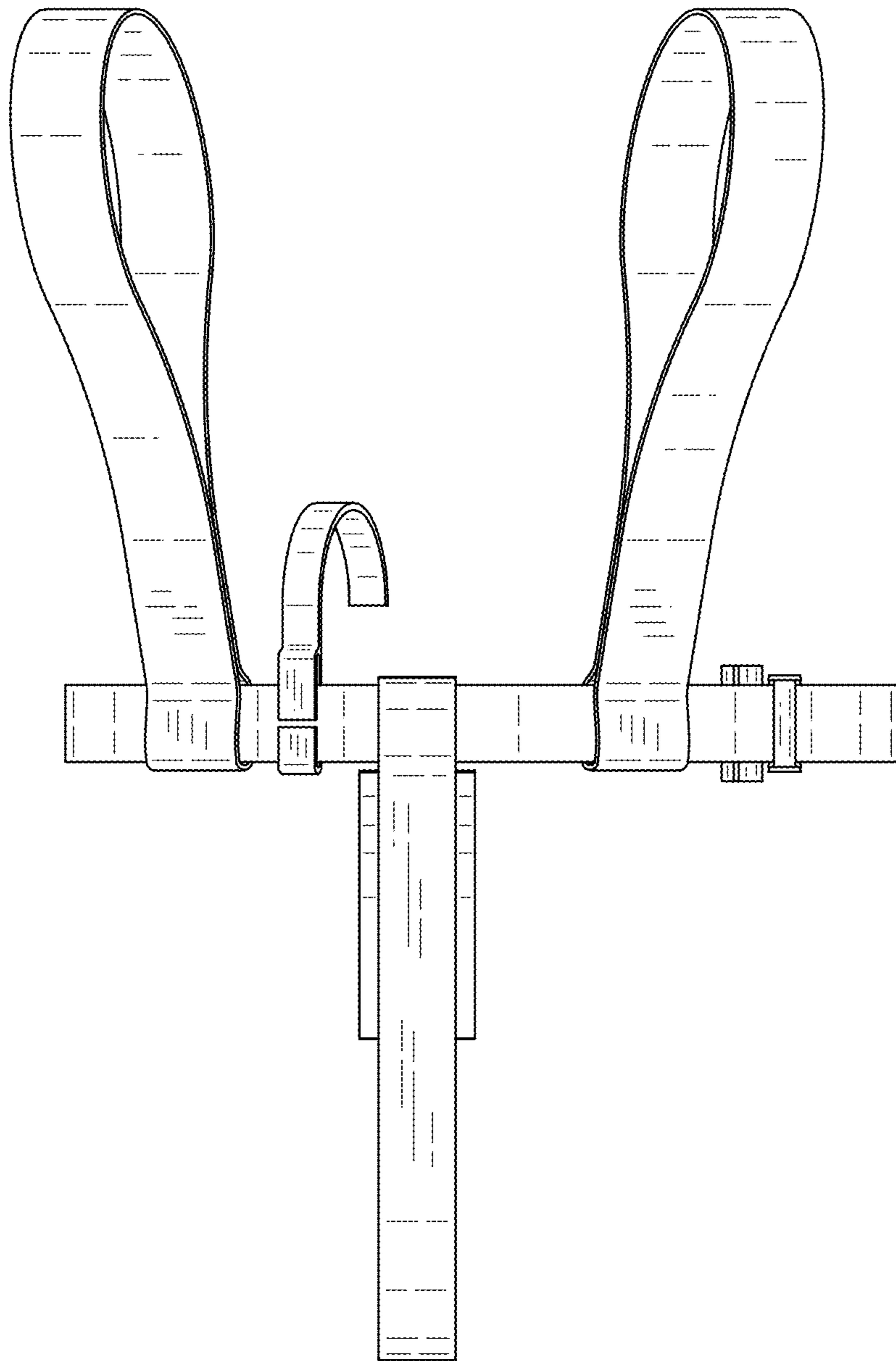


FIG.9

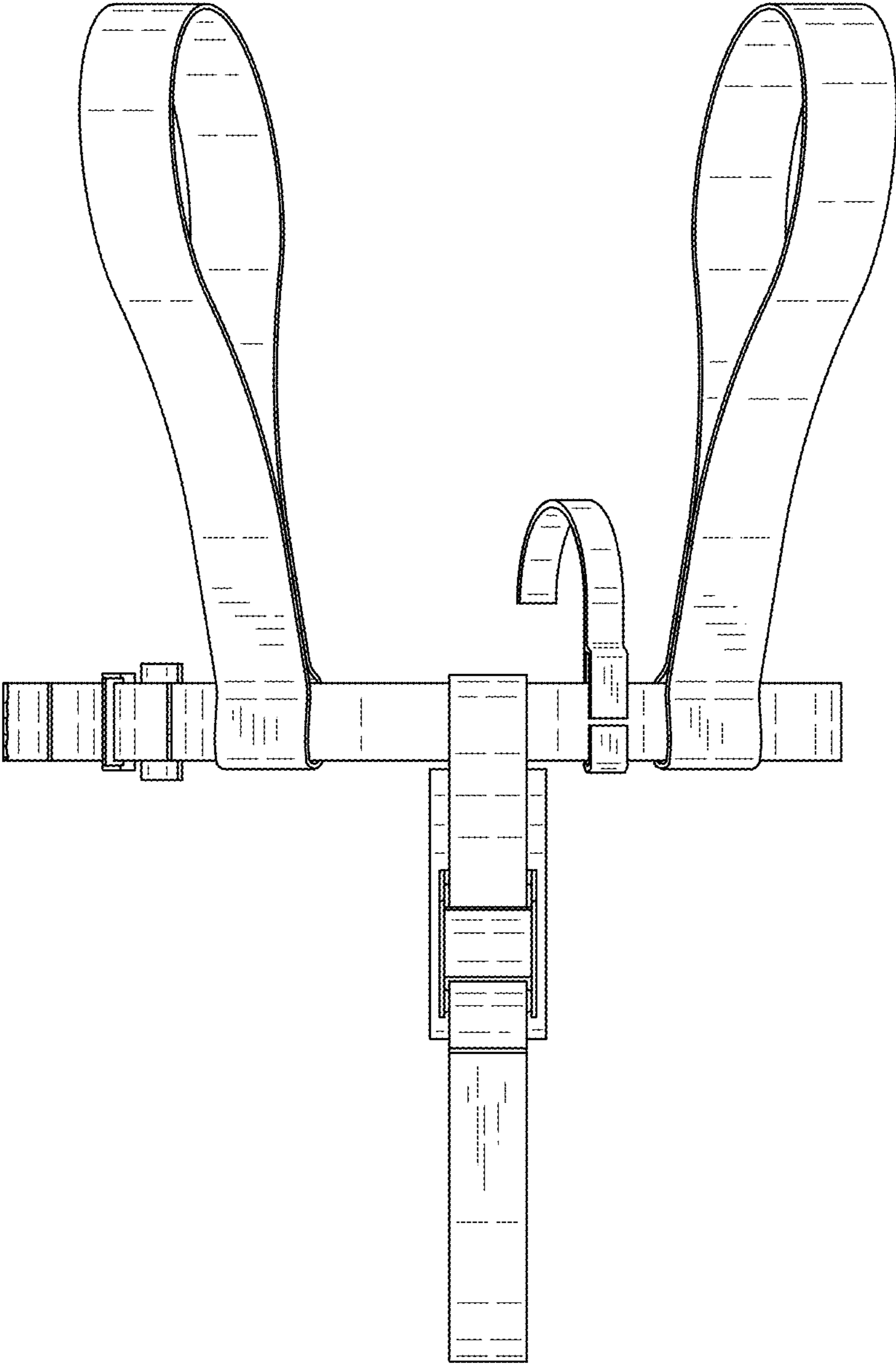


FIG.10

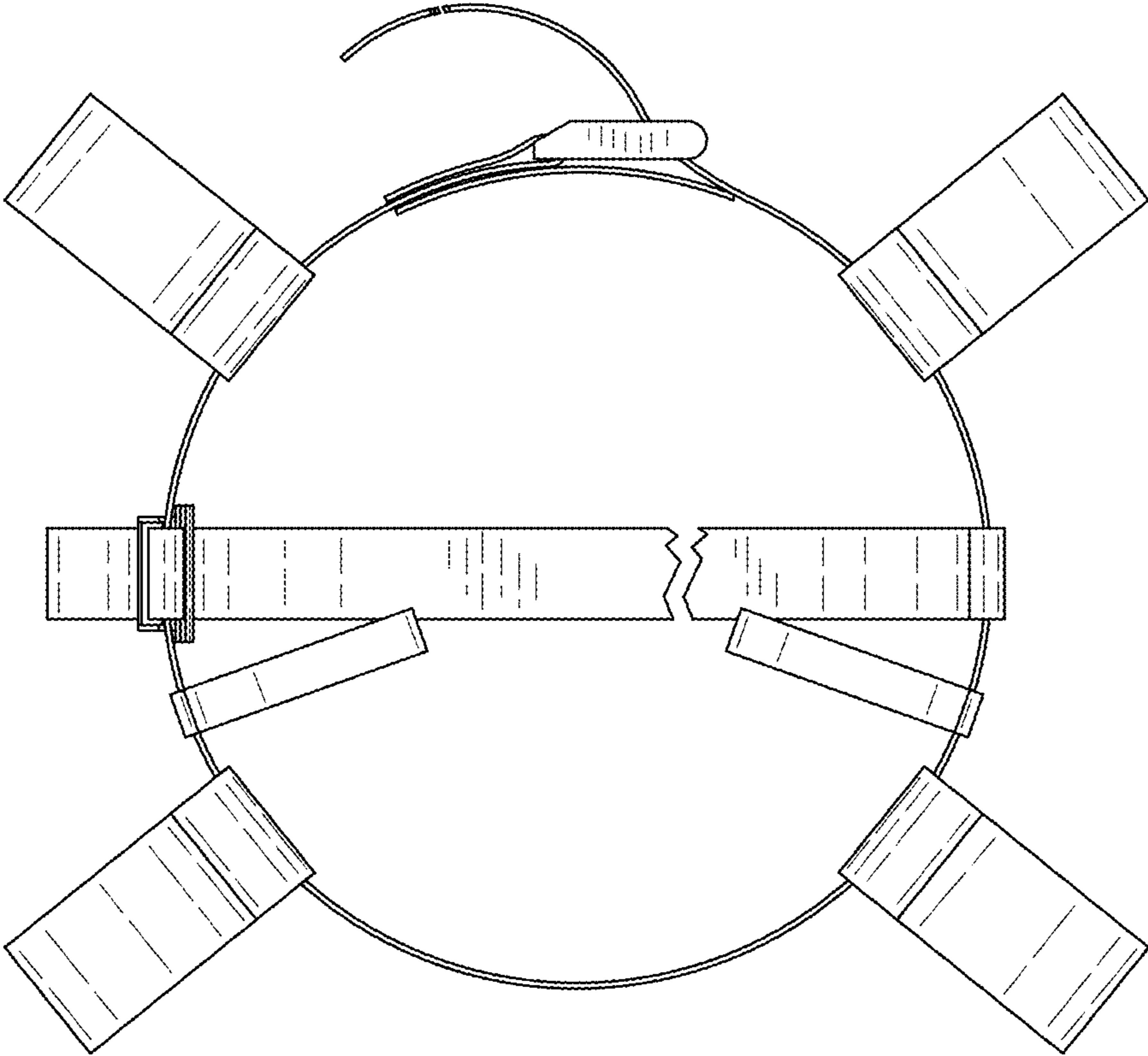


FIG.11

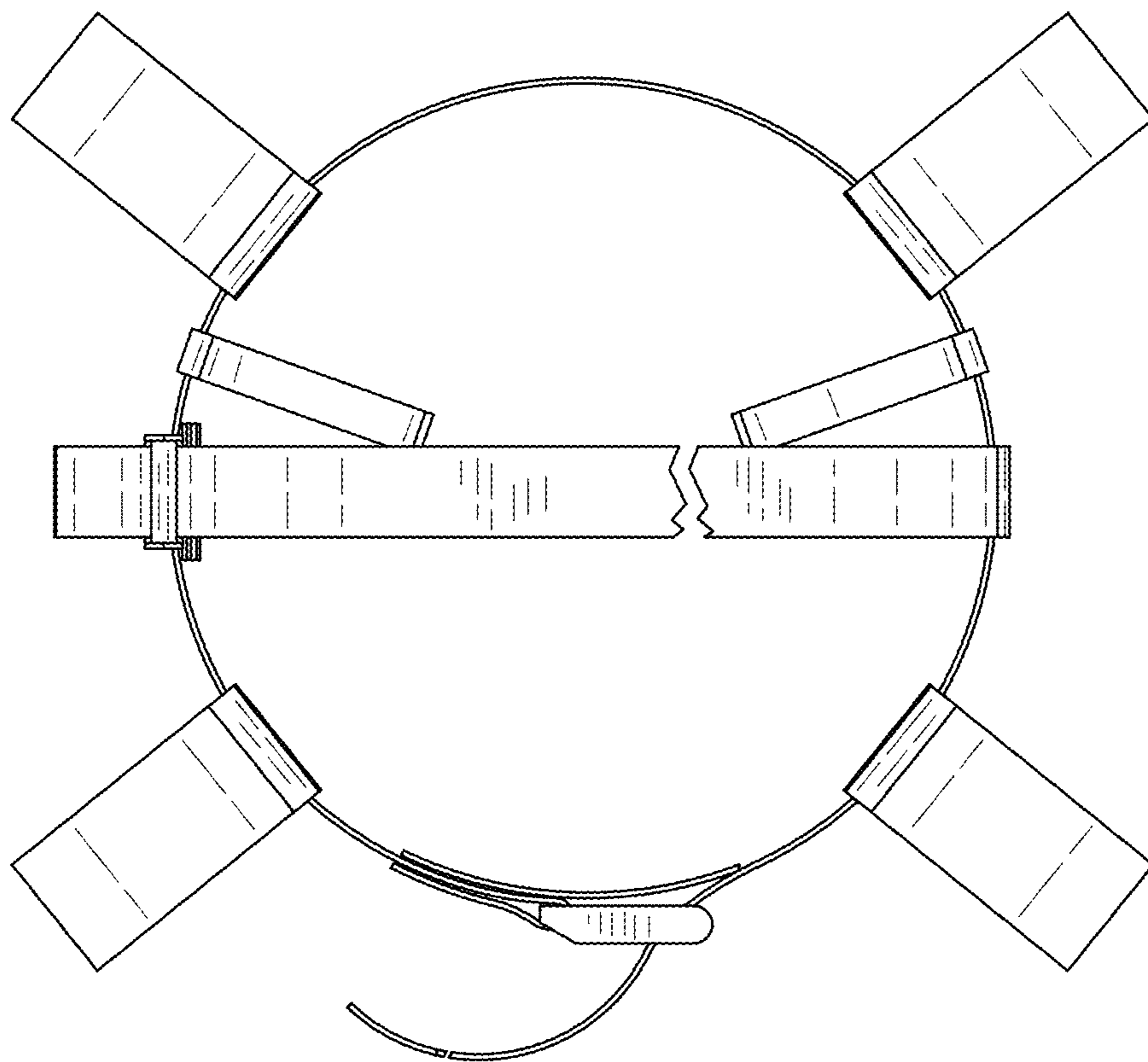


FIG.12

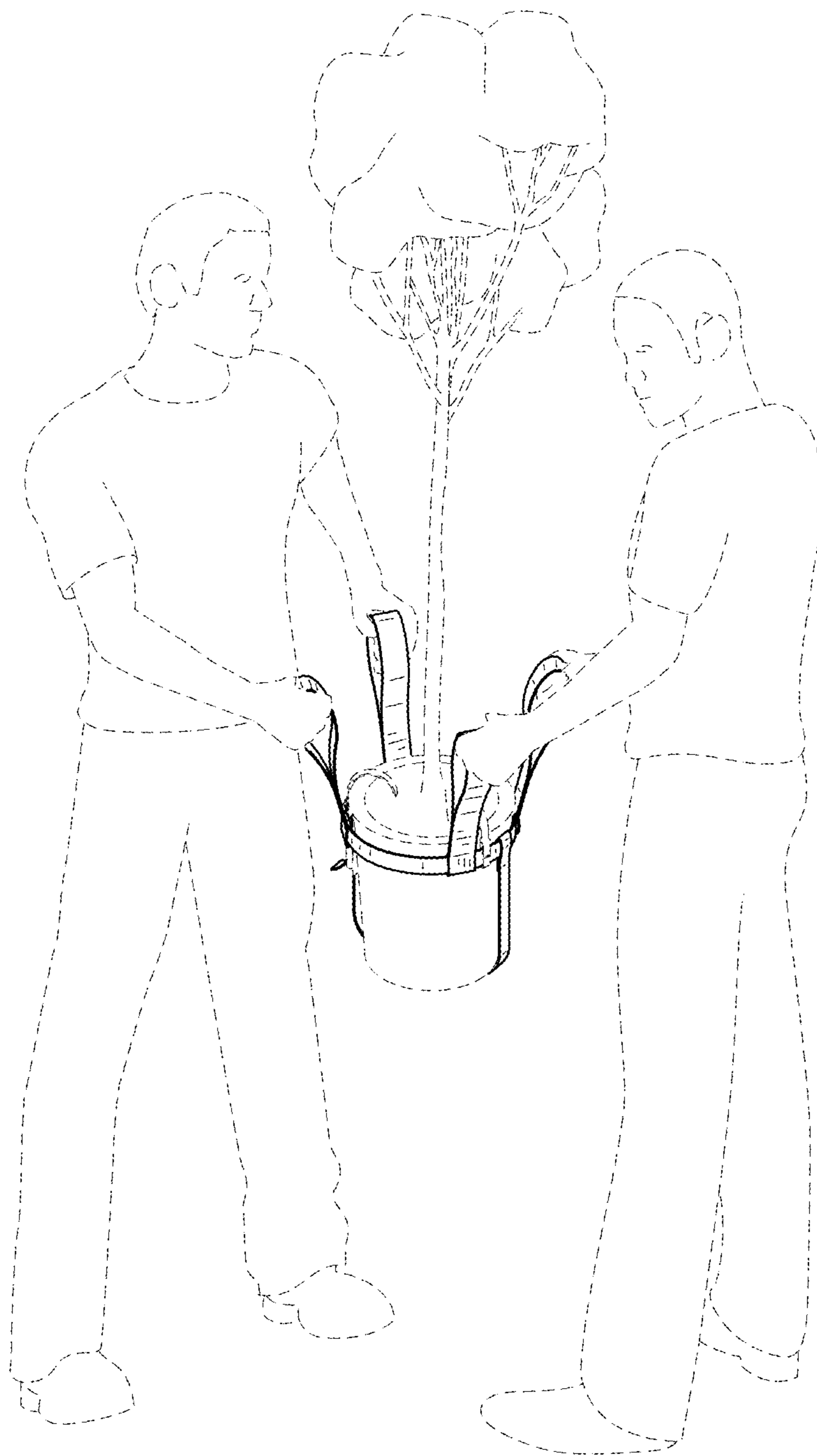


FIG.13

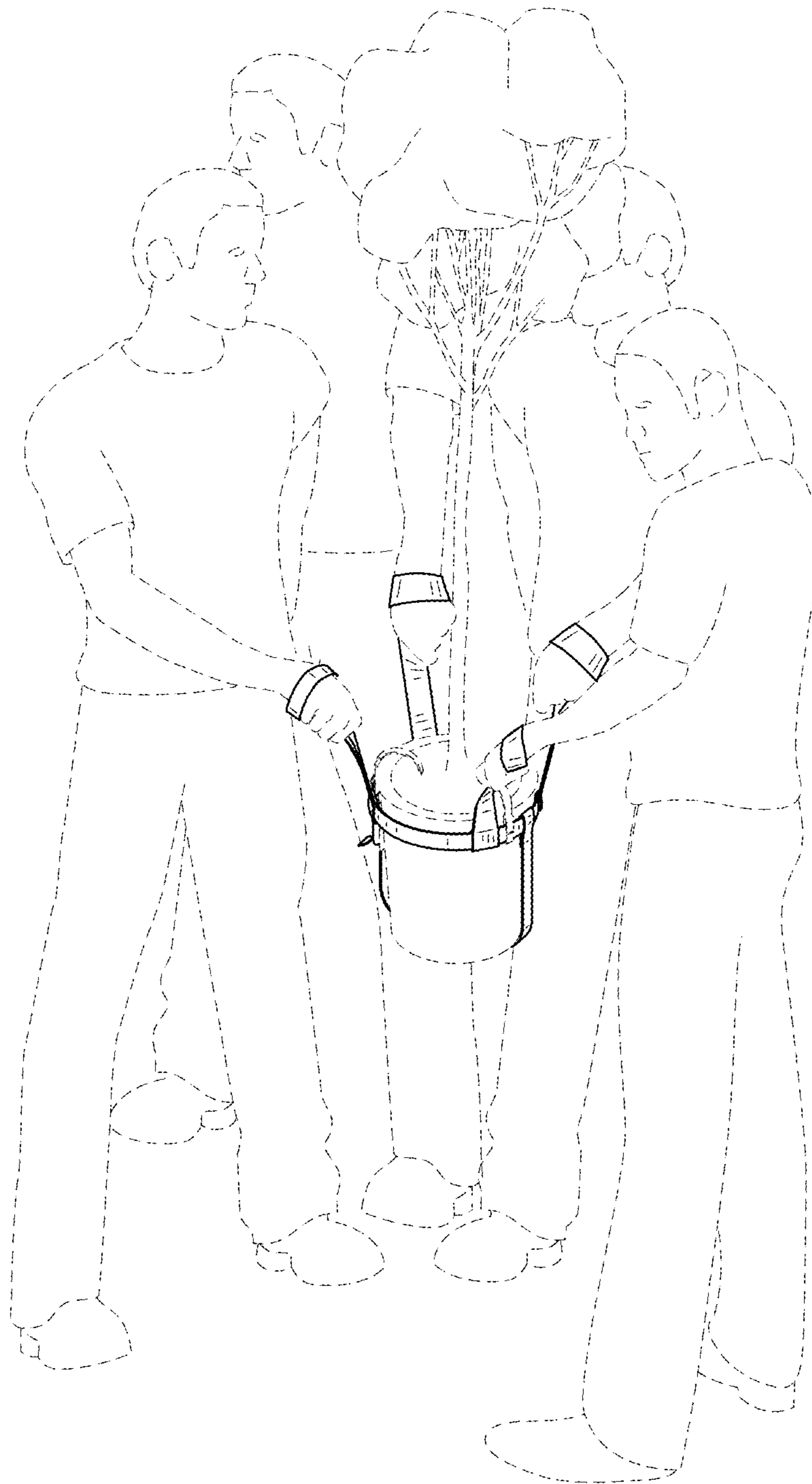


FIG.14



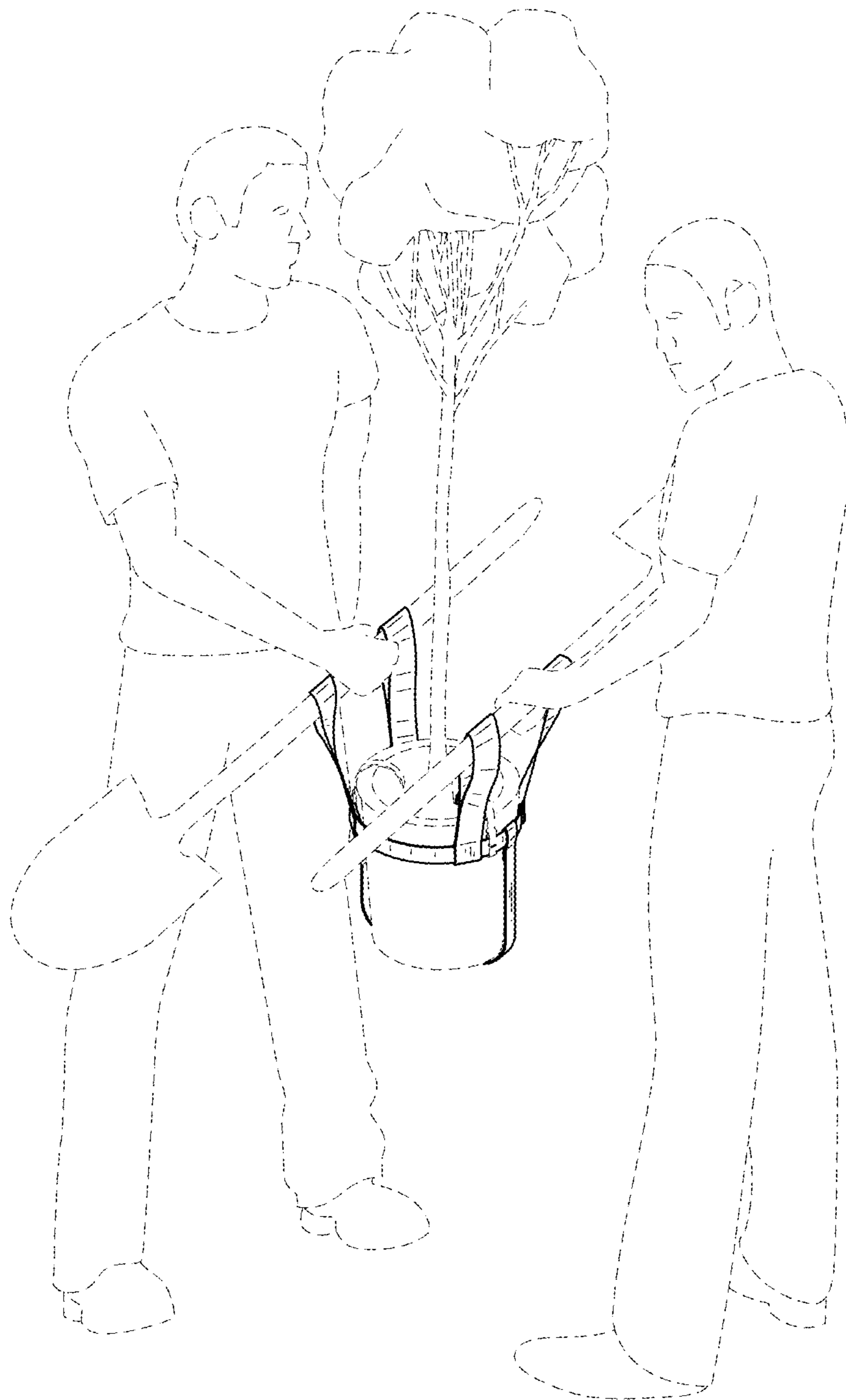


FIG.15

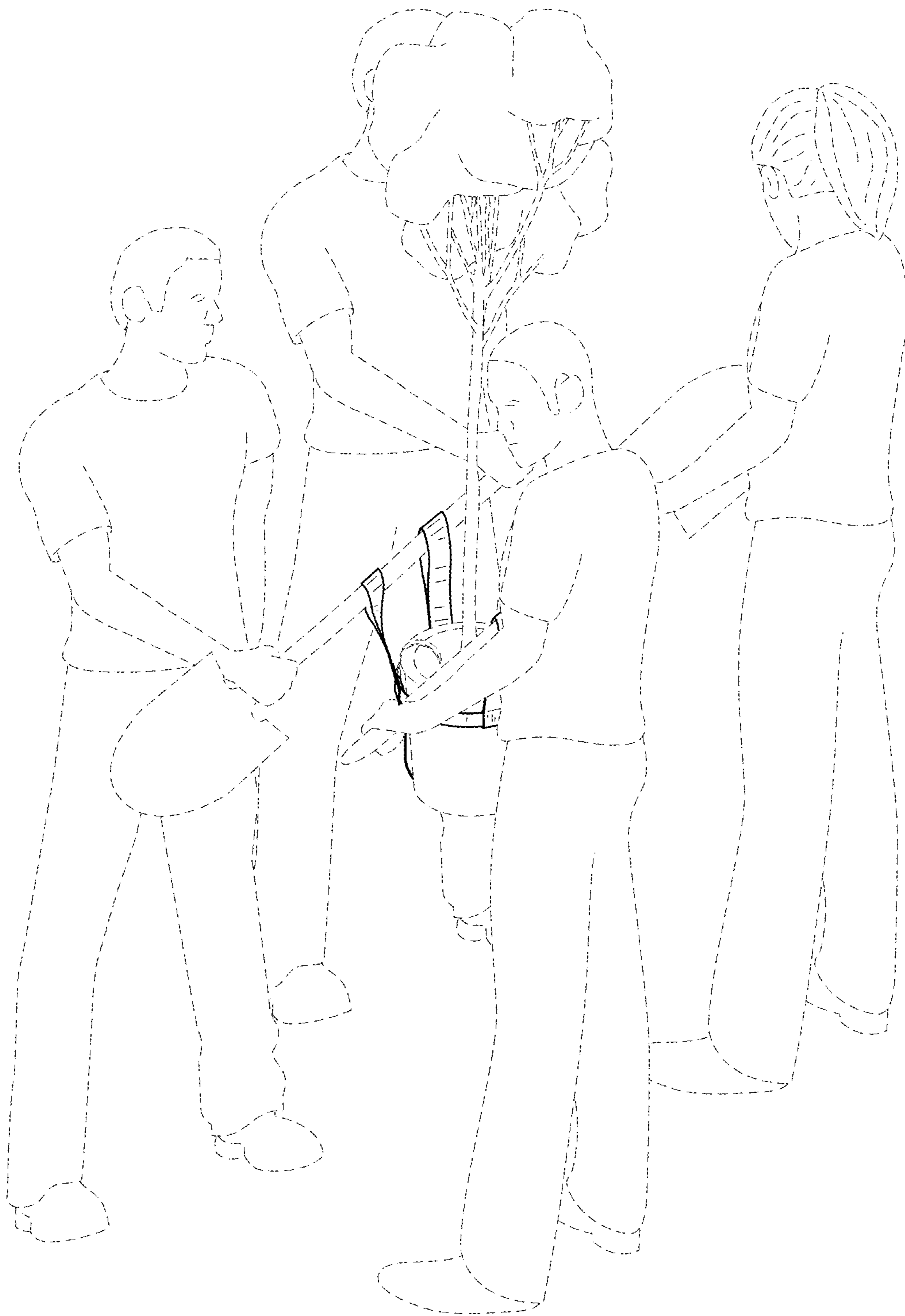


FIG.16

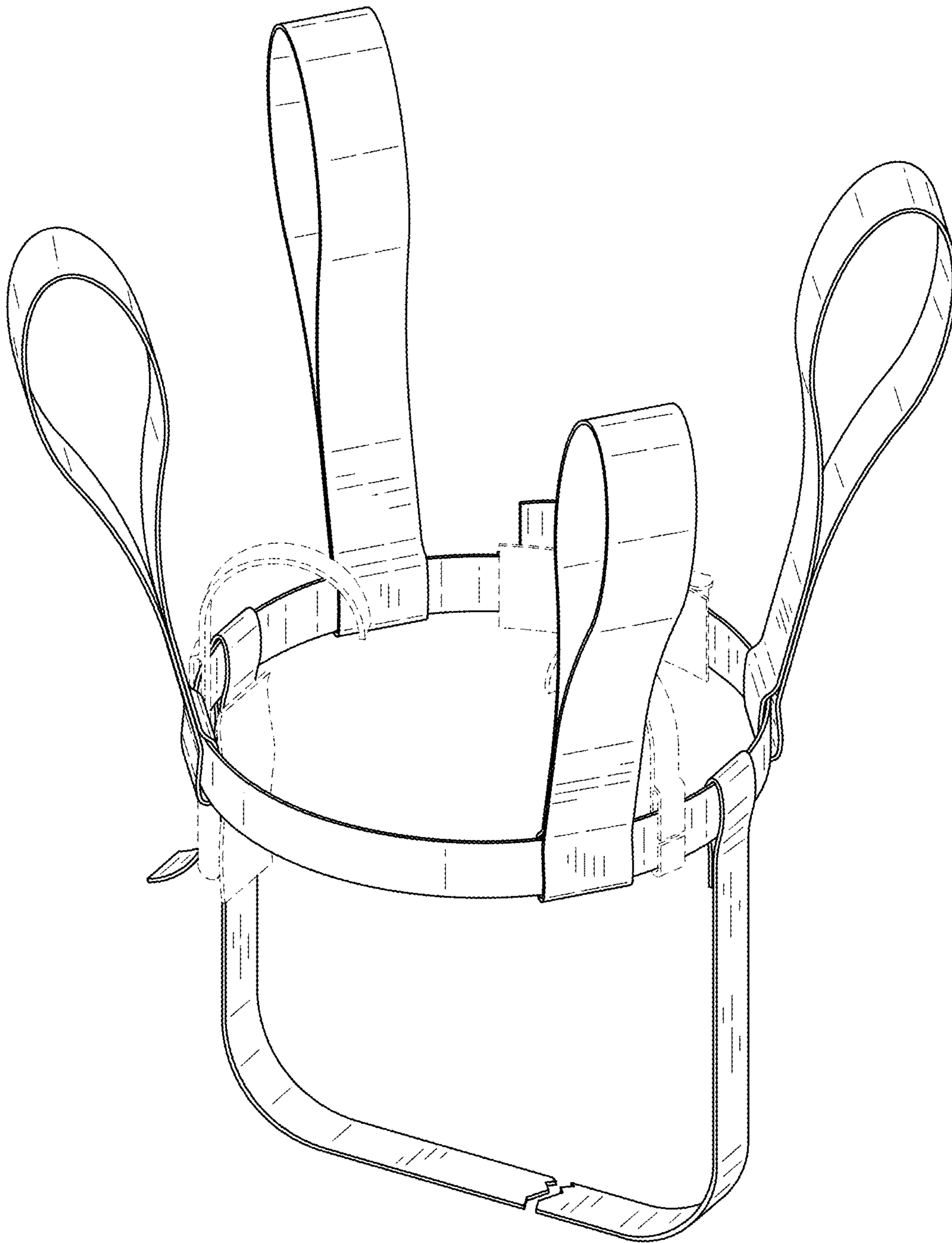


FIG.17

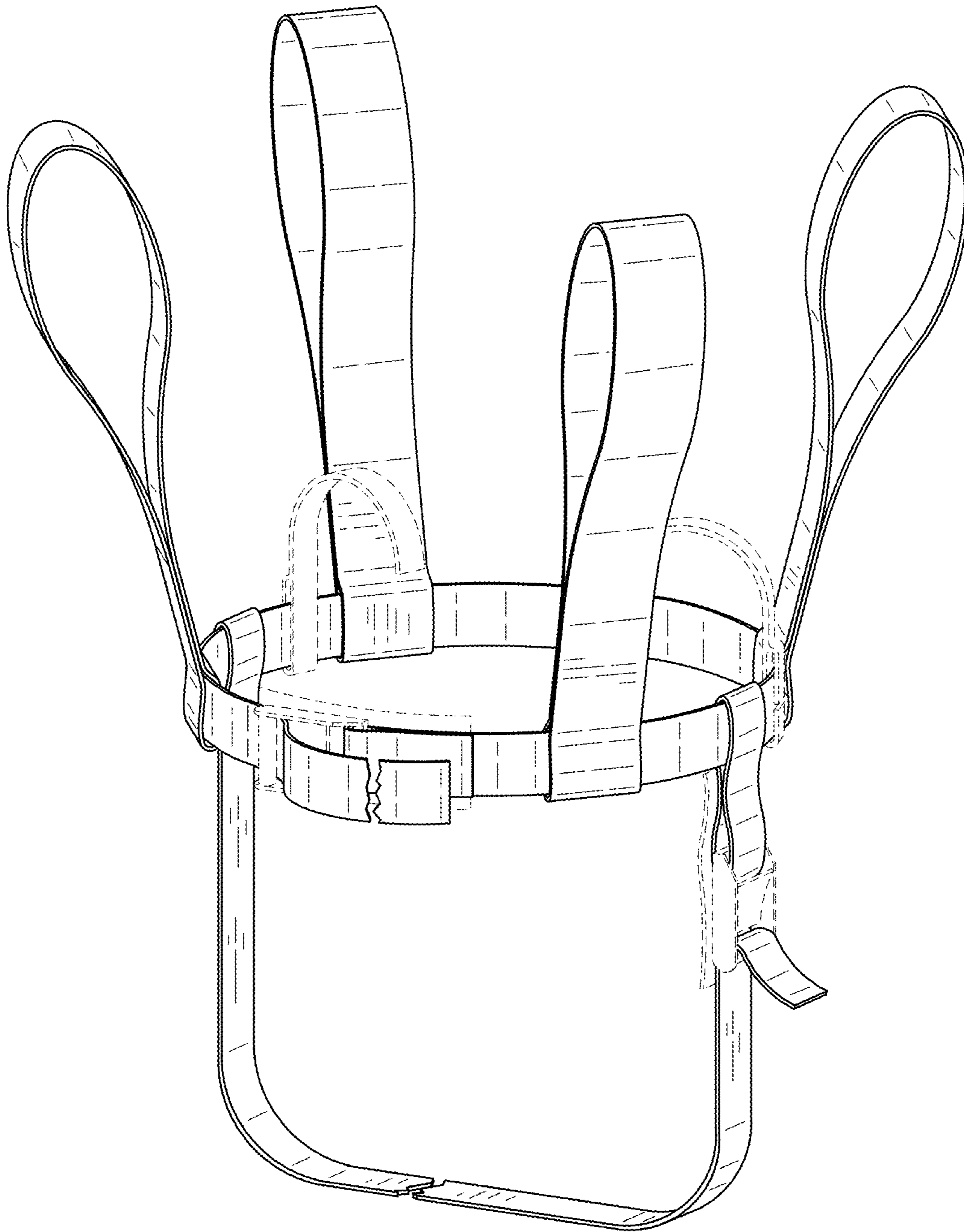


FIG.18

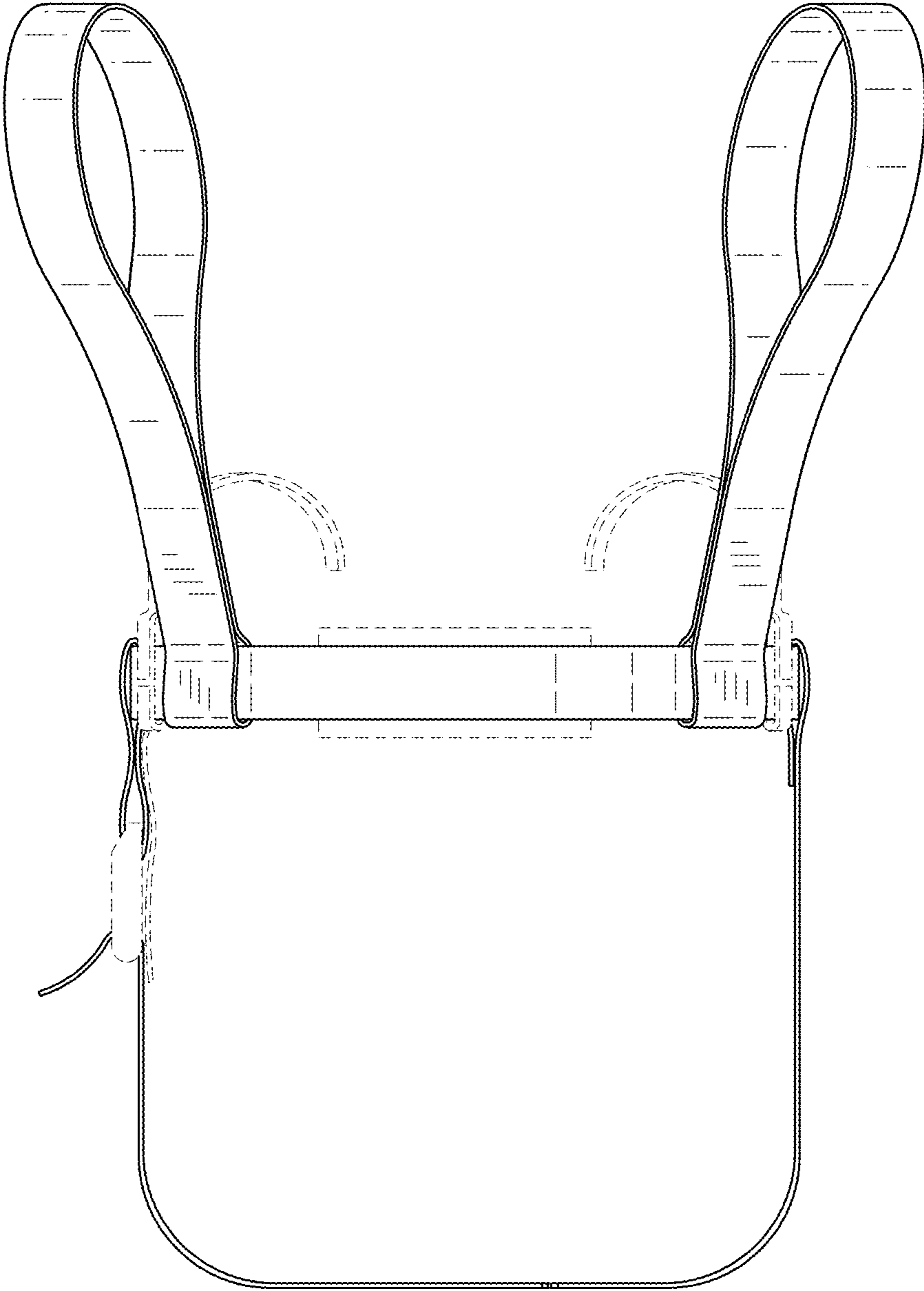


FIG. 19

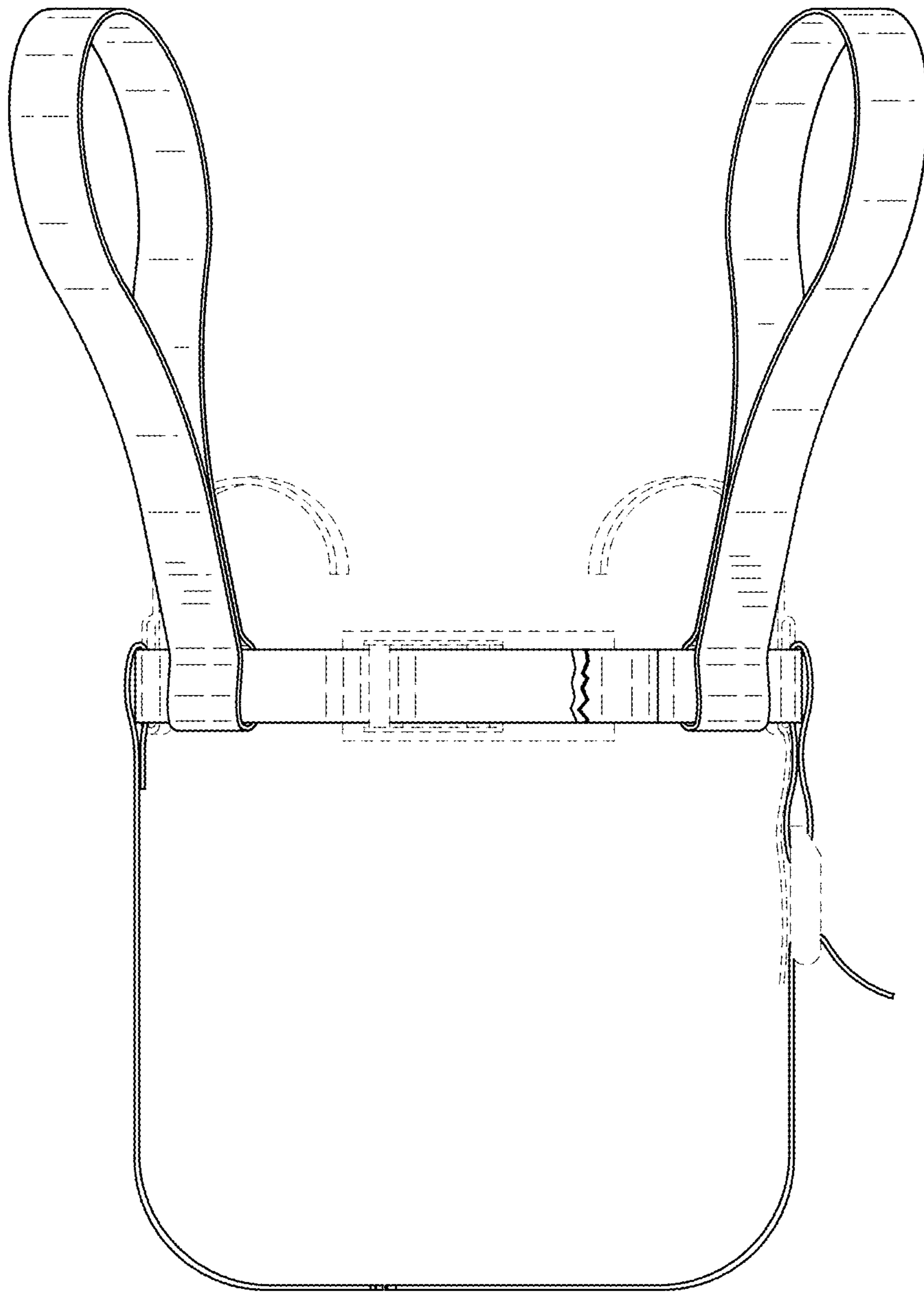


FIG.20

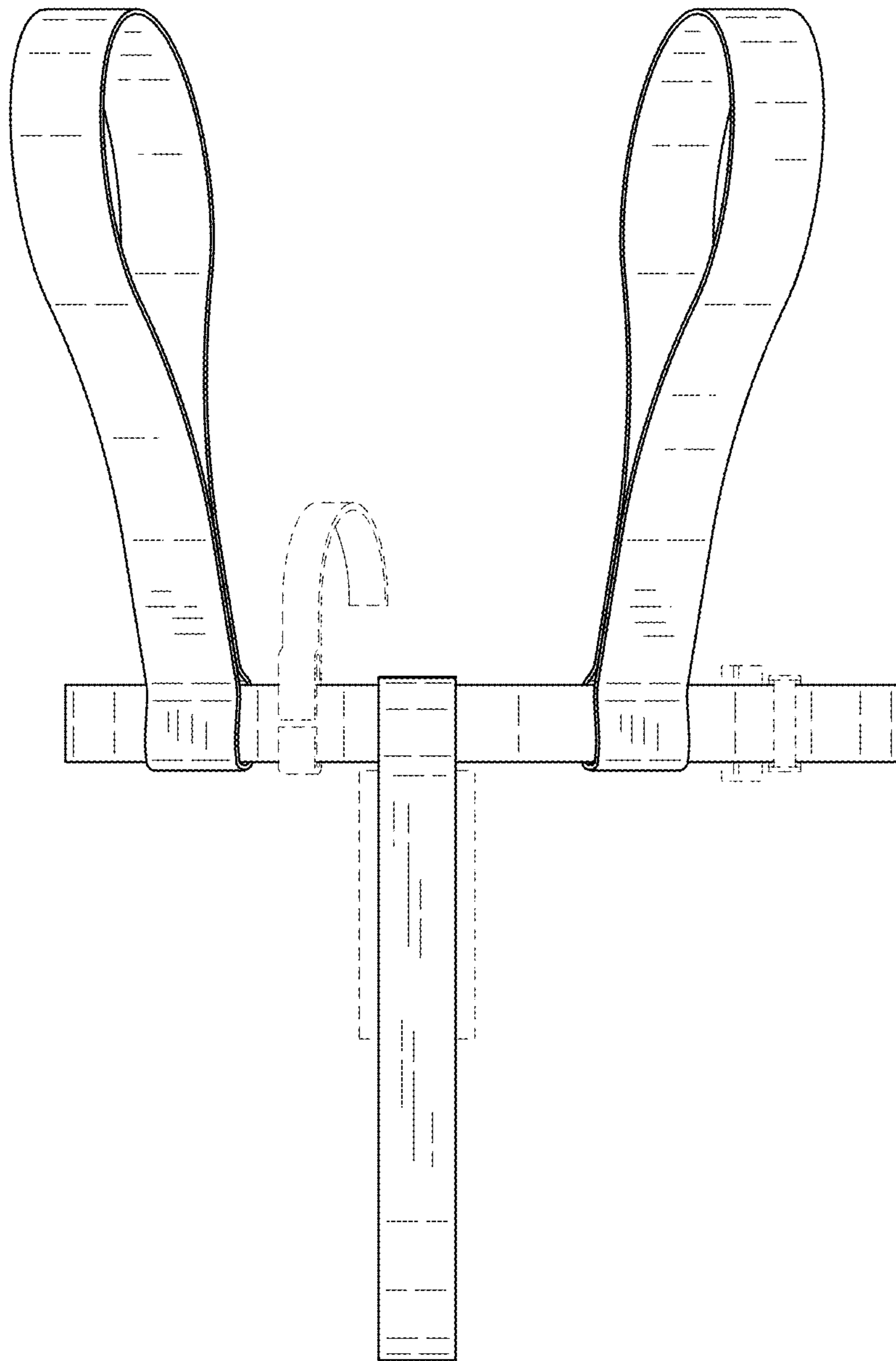


FIG.21

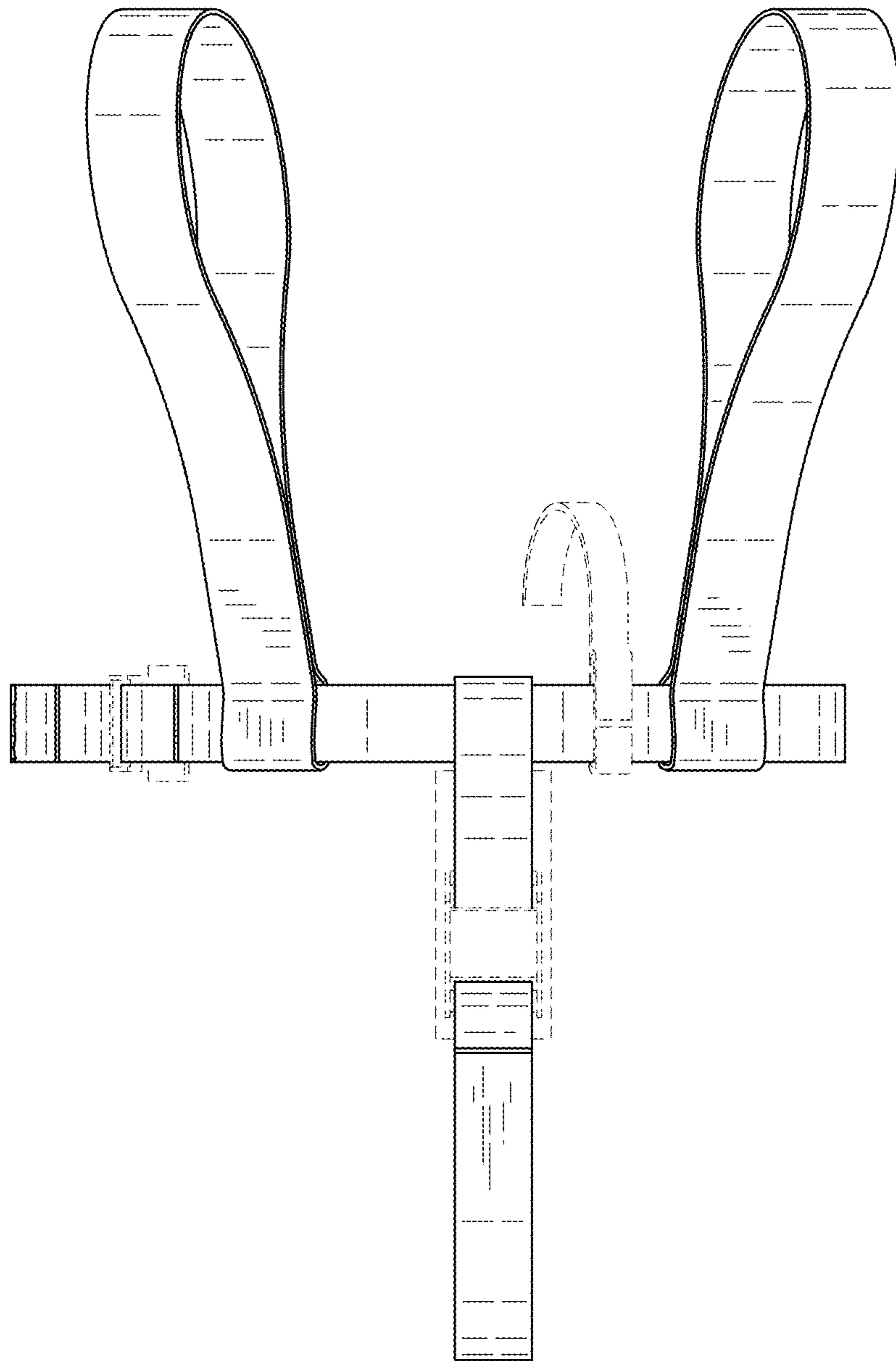


FIG.22



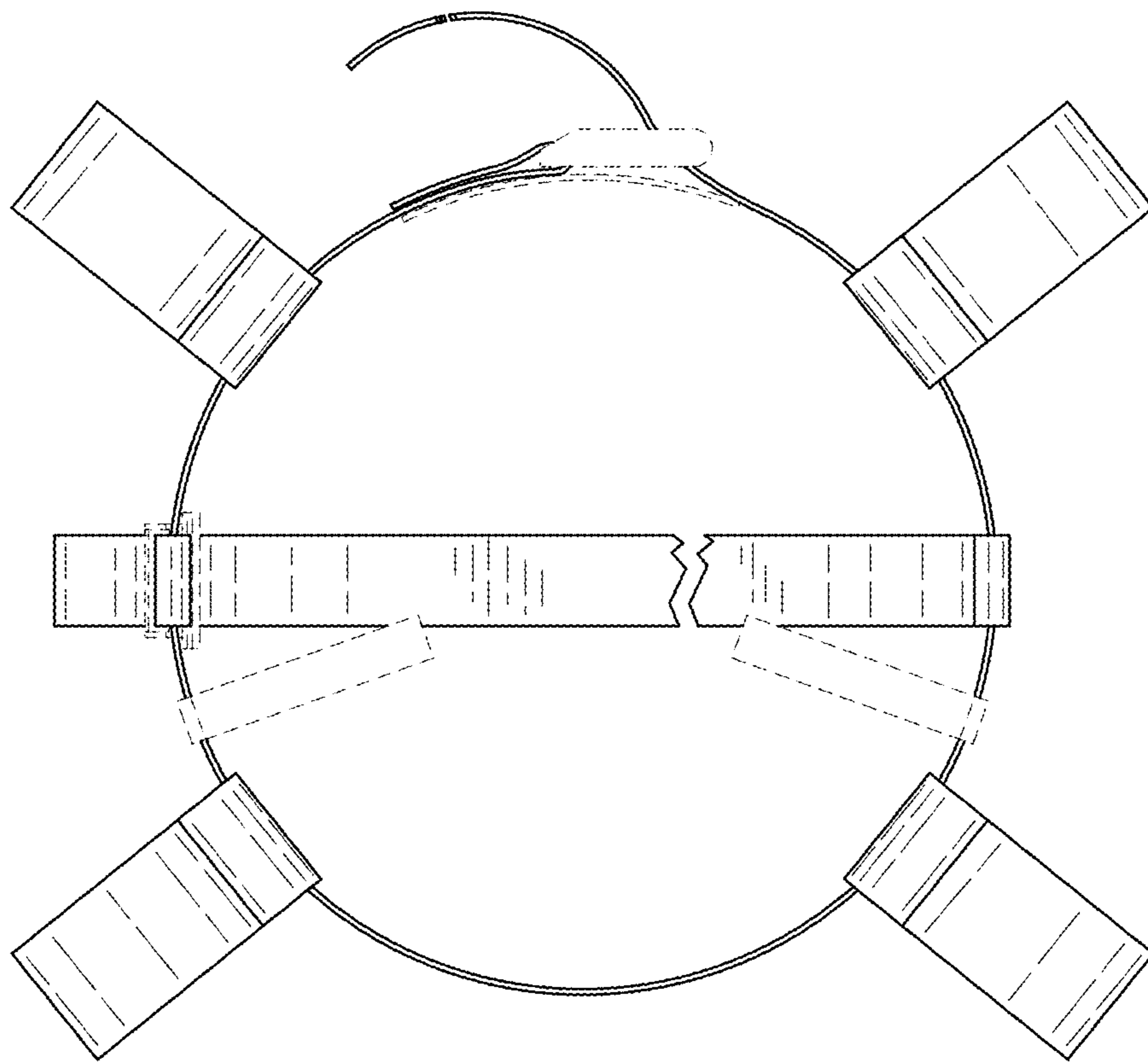


FIG.23

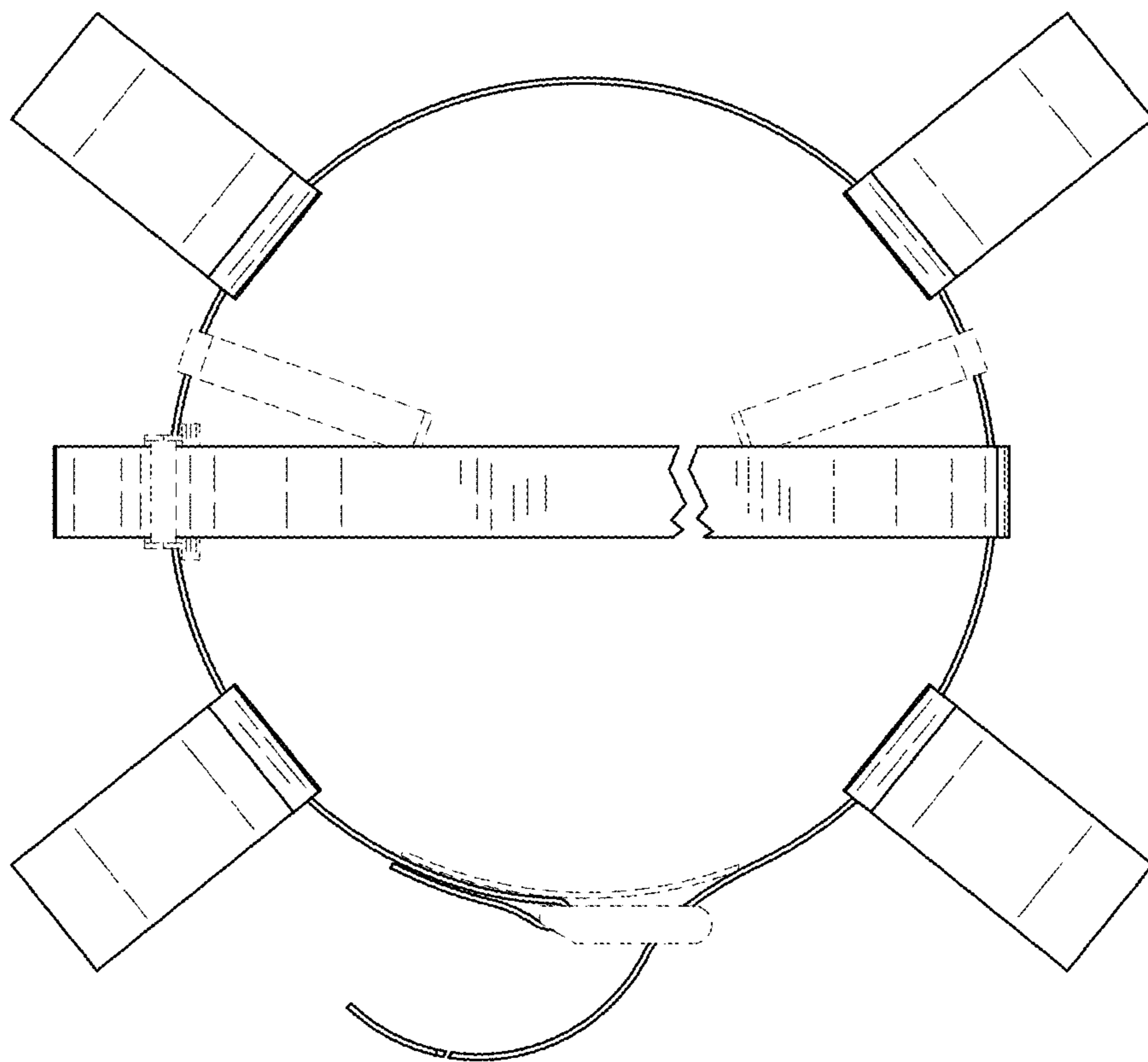


FIG.24