



US00D891721S

(12) **United States Design Patent** (10) **Patent No.:** **US D891,721 S**
Ruggiero et al. (45) **Date of Patent:** **** Jul. 28, 2020**

(54) **CART CHASSIS WITH A CUP HOLDER**
(71) Applicant: **Innovative Strollers LLC**, Clayton, NJ (US)
(72) Inventors: **Richard Ruggiero**, Sewell, NJ (US);
Gregory Ruggiero, Sewell, NJ (US);
Matthew Marino, Blackwood, NJ (US)
(73) Assignee: **INNOVATIVE STROLLERS LLC**, Clayton, NJ (US)

D396,918 S * 8/1998 Golichowski D34/12
5,921,373 A 7/1999 Amdahl et al.
6,024,203 A 2/2000 Amdahl et al.
(Continued)

FOREIGN PATENT DOCUMENTS

CN 105701656 A 6/2016
JP 2000264213 A * 9/2000
(Continued)

OTHER PUBLICATIONS

4 wheeled trolley cart: announced 2020 [online], [site visited Mar. 11, 2020]. Available from internet, URL: <https://www.amazon.com/WPCBAA-Universal-Four-Wheel-Retractable-Load-Bearing/dp/B07RB12R5L> (Year: 2020).*

(Continued)

Primary Examiner — George A Bugg
Assistant Examiner — Tamara L Hahn
(74) *Attorney, Agent, or Firm* — Fox Rothschild LLP

(**) Term: **15 Years**
(21) Appl. No.: **29/677,102**
(22) Filed: **Jan. 17, 2019**
(51) **LOC (12) Cl.** **12-02**
(52) **U.S. Cl.**
USPC **D34/12; D34/23**
(58) **Field of Classification Search**
USPC D34/12, 14, 20, 23, 28, 29, 30, 34, 37,
D34/38, 39
CPC B62B 1/00; B62B 1/008; B62B 1/12
See application file for complete search history.

(57) **CLAIM**

The ornamental design for a cart chassis with a cup holder, as shown and described.

(56) **References Cited**

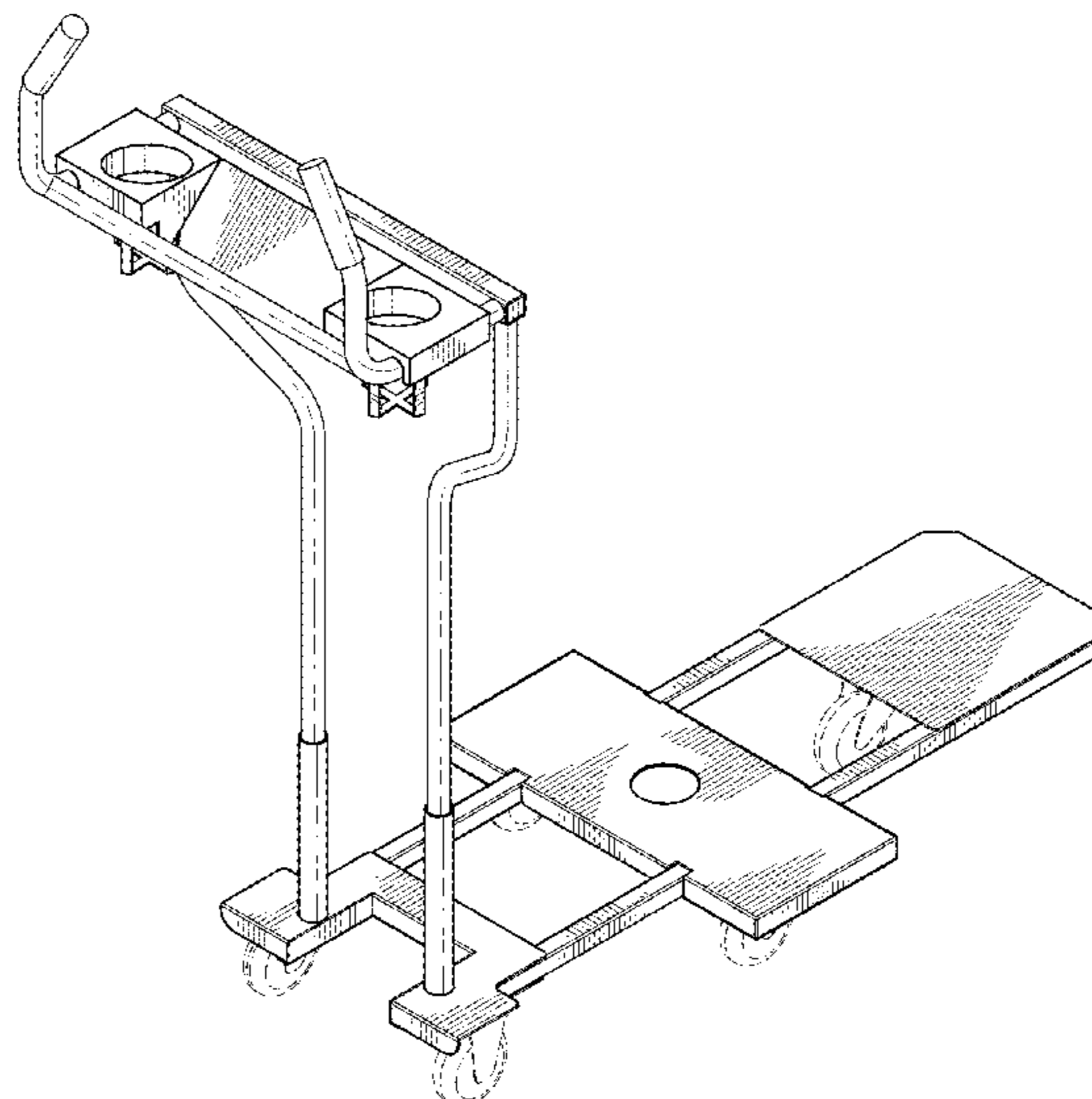
U.S. PATENT DOCUMENTS

3,102,648 A * 9/1963 Hughes B62B 3/0625
414/449
3,978,659 A 9/1976 Smith et al.
3,978,959 A 9/1976 Muellner
4,009,891 A * 3/1977 Jensen B62B 1/002
280/651
4,381,870 A * 5/1983 Muellner A47C 13/00
280/33.993
4,450,968 A 5/1984 Muellner
D289,578 S * 4/1987 Ruffin D34/17
D302,063 S * 7/1989 Frazier D34/17
5,149,114 A * 9/1992 Lewandowski B62B 3/12
280/33.992
D331,135 S 11/1992 Lewandowski et al.
5,526,916 A 6/1996 Amdahl et al.

DESCRIPTION

FIG. 1 is a perspective view of the cart chassis with a cup holder showing the new design;
FIG. 2 is a left-side view thereof;
FIG. 3 is a right-side view thereof;
FIG. 4 is a front view thereof;
FIG. 5 is a rear view thereof;
FIG. 6 is a top view thereof; and,
FIG. 7 is a bottom view thereof.
The broken lines in the drawings depict portions of the cart chassis with a cup holder that form no part of the claimed design.

1 Claim, 5 Drawing Sheets



(56)

References Cited

U.S. PATENT DOCUMENTS

6,125,985 A 10/2000 Amdahl et al.
6,142,283 A 11/2000 Amdahl et al.
6,250,451 B1 6/2001 Thirkill
D470,895 S 2/2003 Cole
D531,375 S * 10/2006 Lauer D34/23
7,748,511 B1 7/2010 Maher
D658,721 S 5/2012 Yang
8,272,491 B2 9/2012 Khairallah et al.
D709,264 S 7/2014 Lee et al.
D749,290 S 2/2016 Pollmann
D756,064 S 5/2016 Budde et al.
9,418,345 B1 8/2016 Meehan et al.
9,471,918 B1 10/2016 Krampe et al.
D782,465 S 3/2017 Chen et al.
D808,380 S 1/2018 Dillon et al.
D809,068 S 1/2018 Ballman et al.
D809,069 S 1/2018 Ballman et al.
D841,643 S 2/2019 Dillon et al.

D843,366 S 3/2019 Koltsov
D871,498 S 12/2019 Kim
2007/0205277 A1 9/2007 Tashiro
2011/0052357 A1* 3/2011 Torrison B62B 3/008
414/495
2015/0356801 A1 12/2015 Nitu et al.

FOREIGN PATENT DOCUMENTS

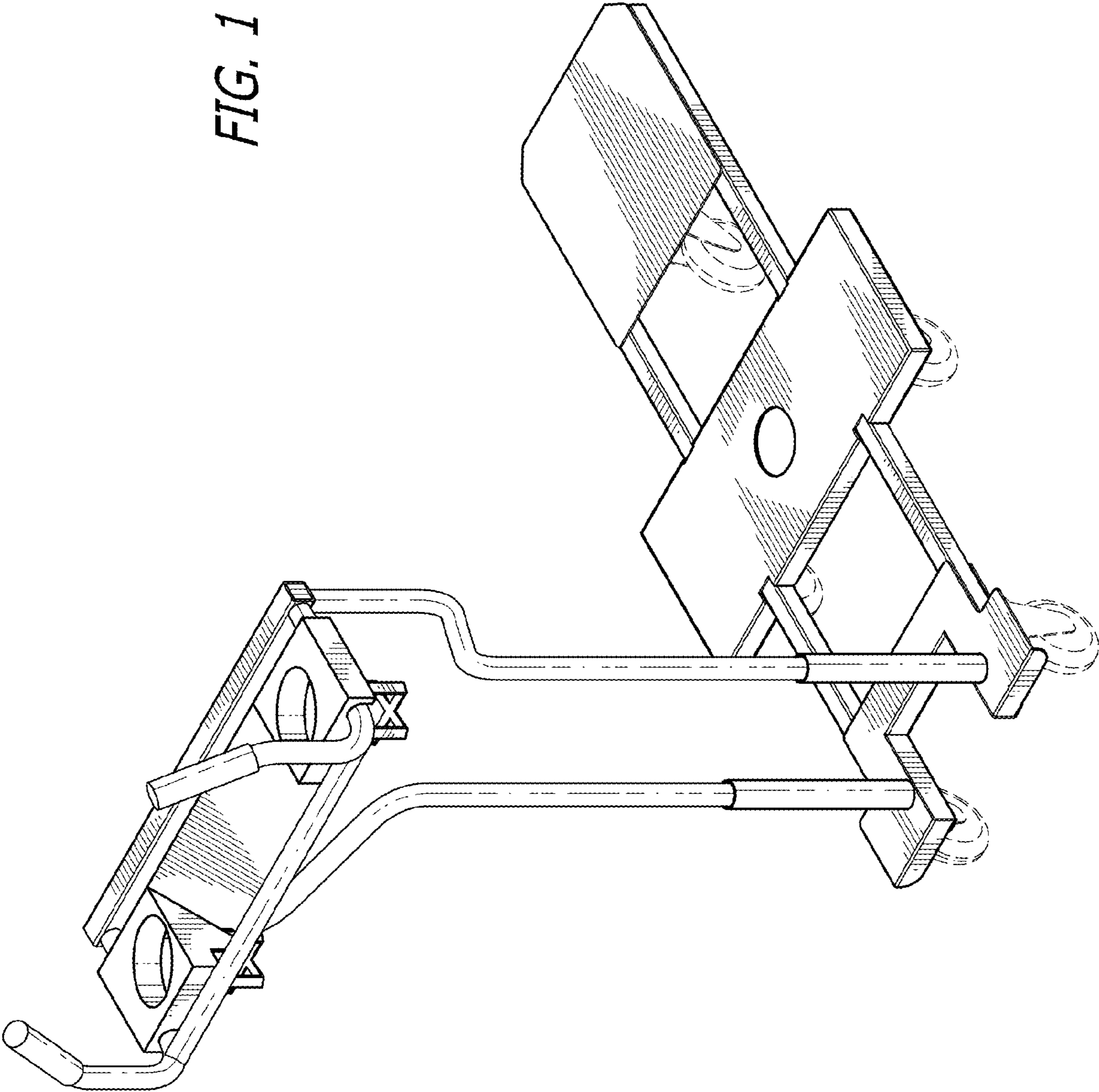
JP 2017049777 3/2017
JP 2019051840 A * 4/2019

OTHER PUBLICATIONS

Mitchell et al "Wheelchairs: What life care planners should know."
Inn: Journal of Life Care Planning. 2005 Retrieved on Feb. 29, 2020
from <<http://www.figeducation.com/nlcp/resources/section-1/Wheelchairs%20what%20LCP%20Should%20know.pdf>>.

* cited by examiner

FIG. 1



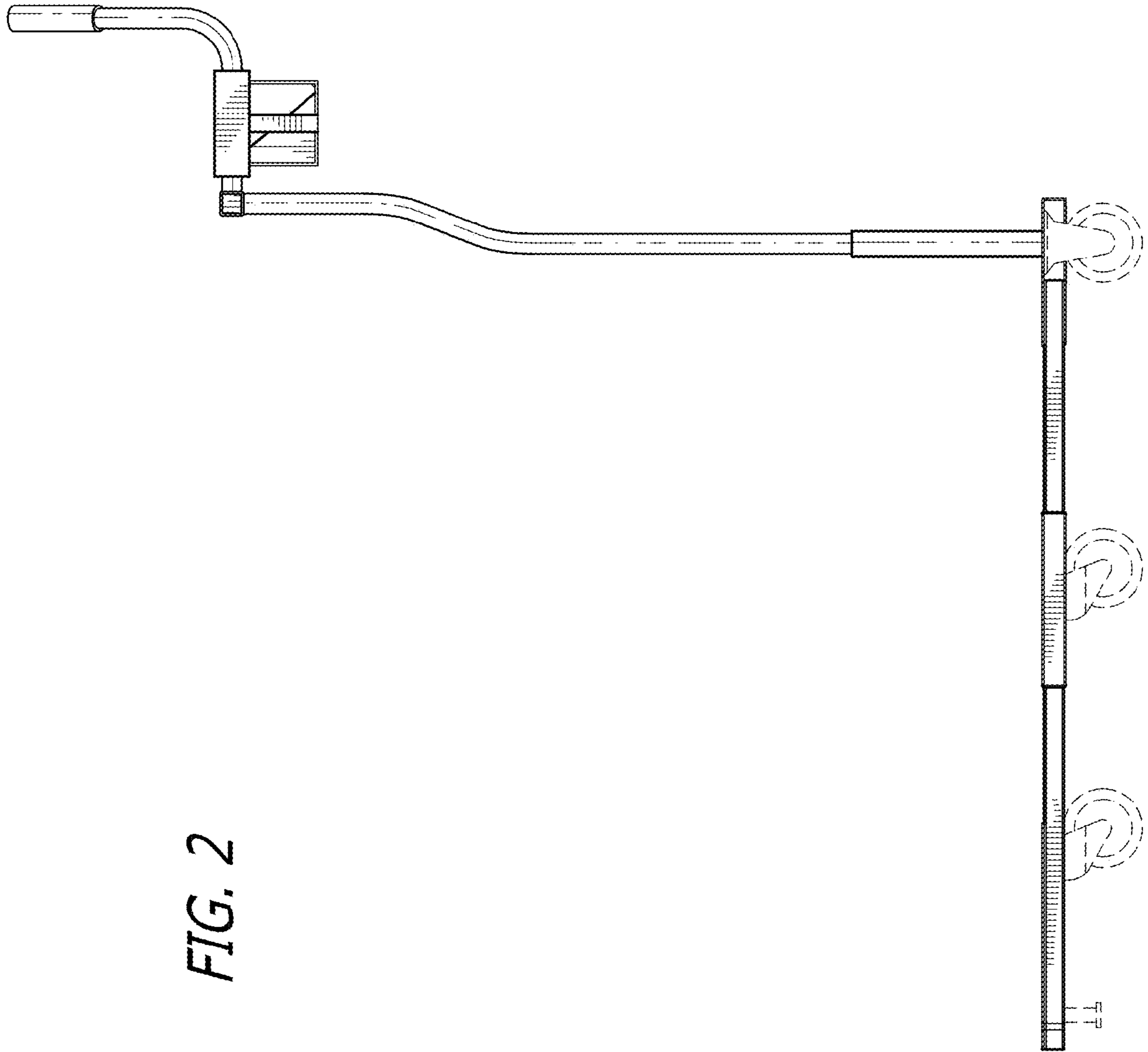
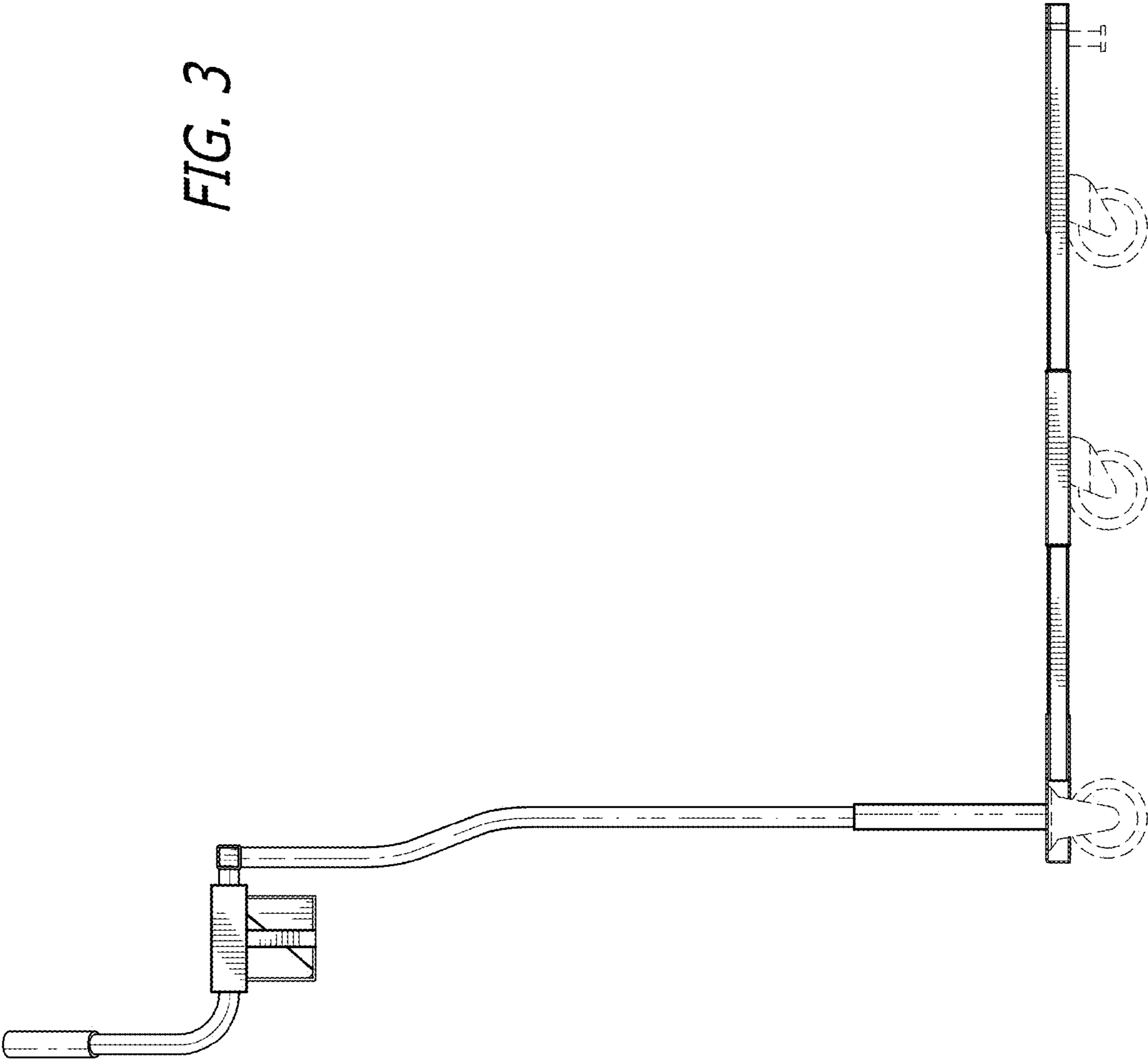


FIG. 2

FIG. 3



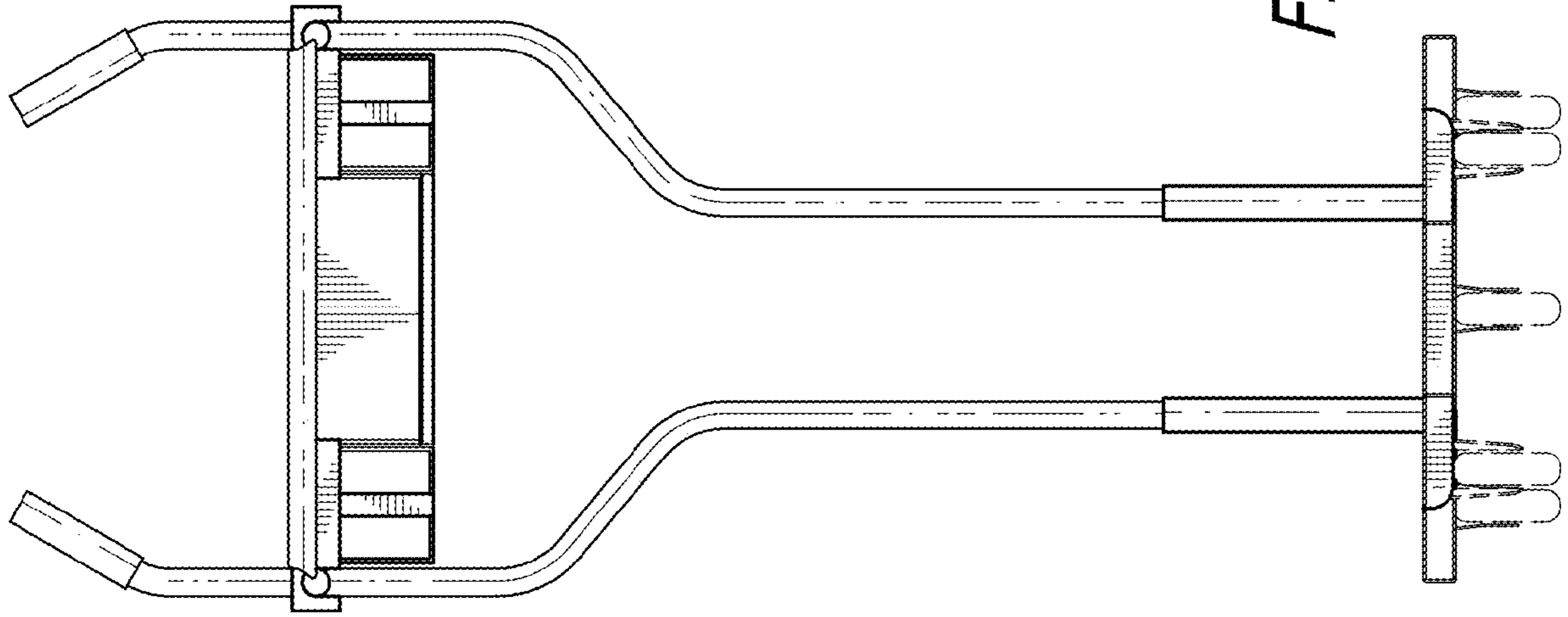


FIG. 5

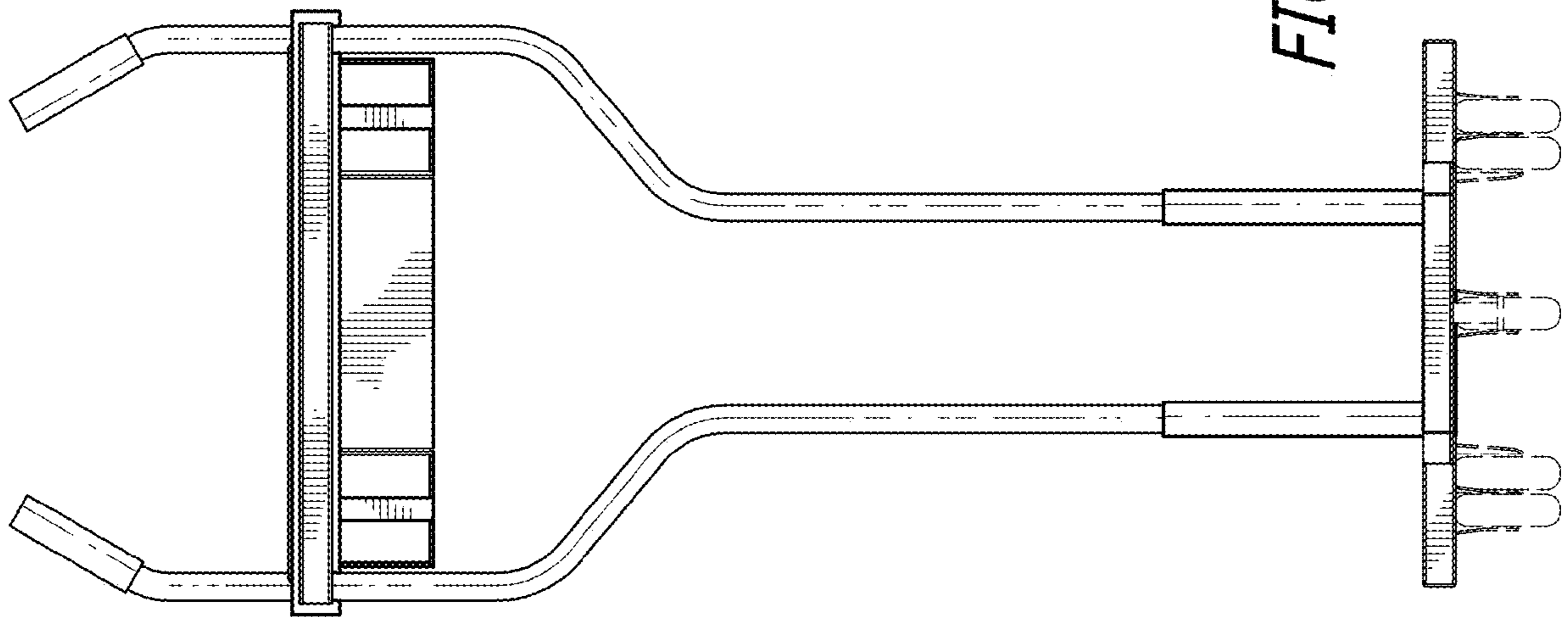


FIG. 4

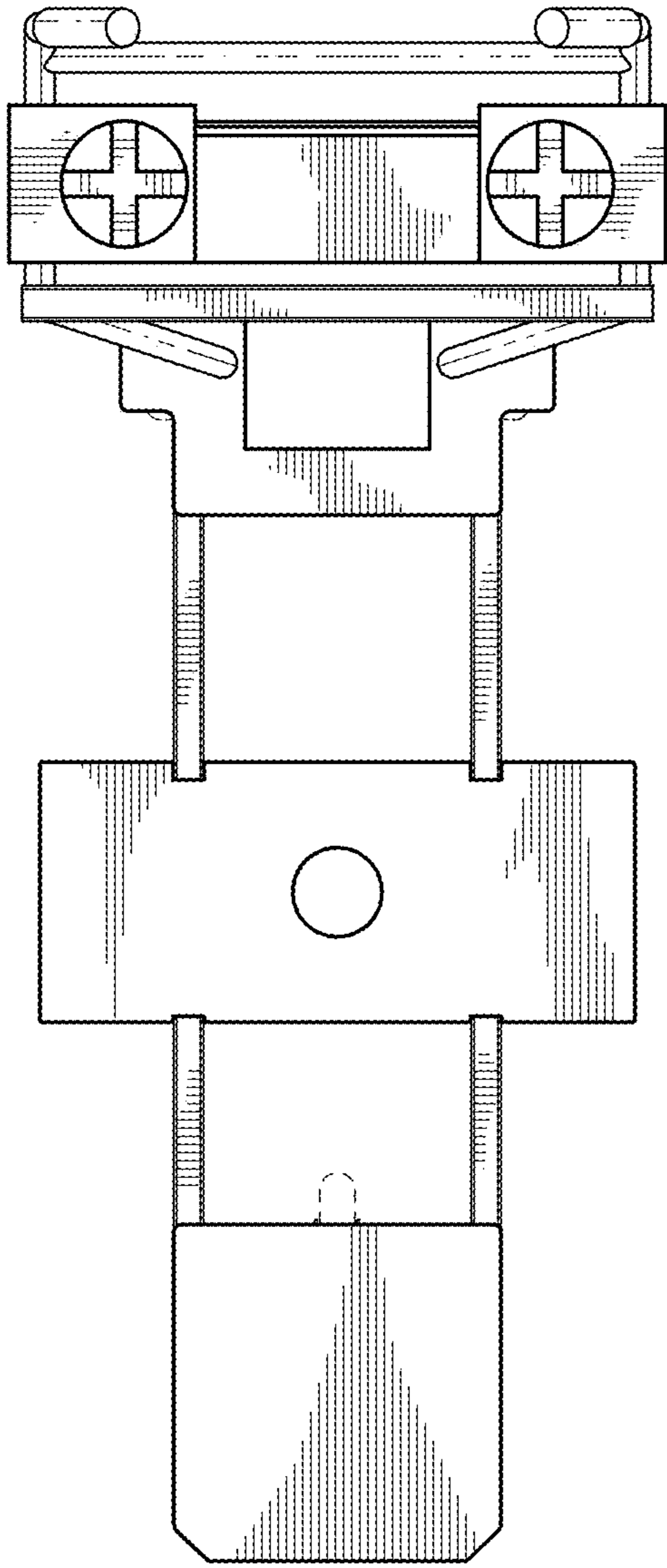


FIG. 6

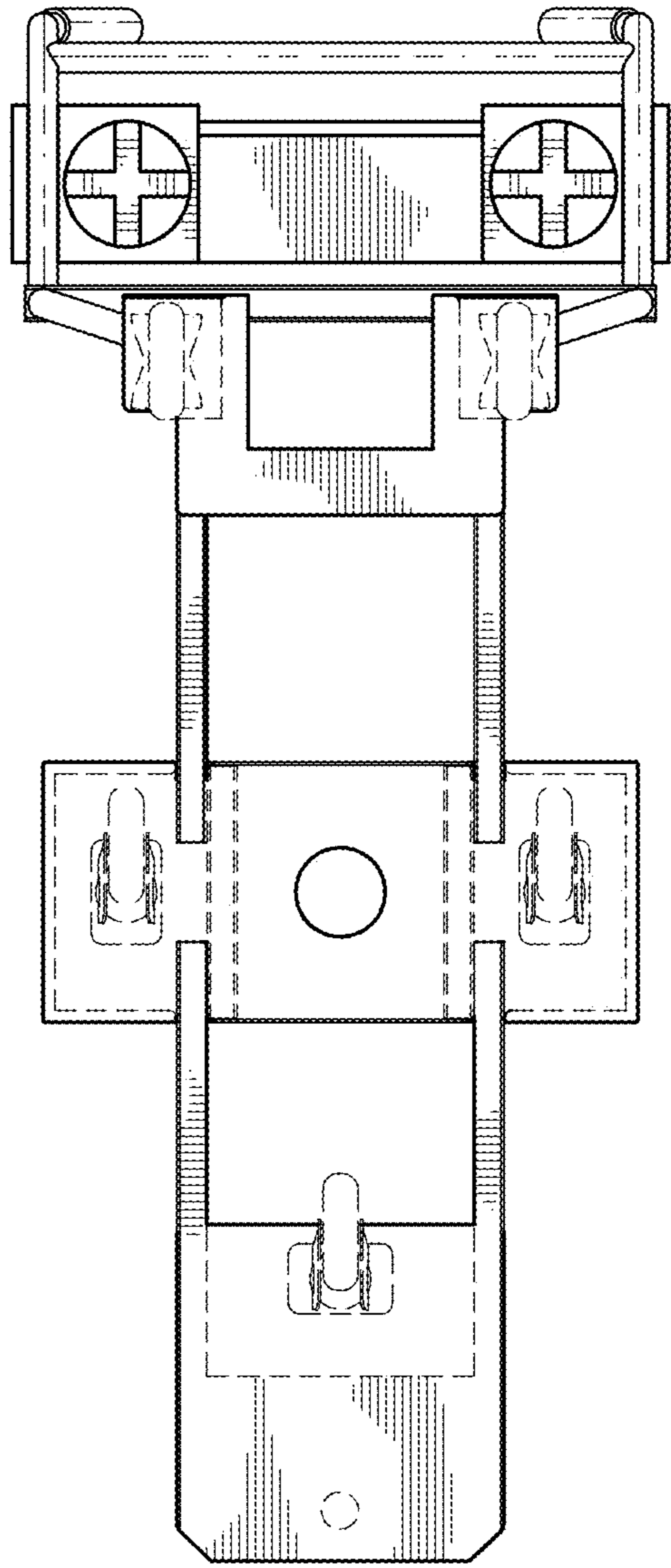


FIG. 7