



US00D891718S

(12) **United States Design Patent**
Corless et al.

(10) **Patent No.:** **US D891,718 S**
(45) **Date of Patent:** **** Jul. 28, 2020**

(54) **TRASHCAN PULLOUT**

(71) Applicant: **Hardware Resources, Inc.**, Bossier City, LA (US)

(72) Inventors: **Justin Corless**, Flower Mound, TX (US); **Marisa Sanchez**, Shreveport, LA (US); **Jay Pannebaker**, Shreveport, LA (US)

(73) Assignee: **HARDWARE RESOURCES, INC.**, Bossier City, LA (US)

(**) Term: **15 Years**

(21) Appl. No.: **29/665,060**

(22) Filed: **Sep. 29, 2018**

(51) **LOC (12) Cl.** **09-09**

(52) **U.S. Cl.**
USPC **D34/6; D6/566**

(58) **Field of Classification Search**
USPC D34/5, 6, 8, 10; D3/201, 295, 296, 297, D3/298, 304, 306-309, 314, 318, 319; D19/77, 86, 92; D6/566
CPC A47F 1/00; A47B 88/407; A47B 88/956
See application file for complete search history.

(56) **References Cited**

U.S. PATENT DOCUMENTS

- 4,723,743 A * 2/1988 Jenkins B65B 67/12
220/486
- 4,869,447 A * 9/1989 Malik B65B 67/1205
248/97
- 4,915,248 A * 4/1990 Chap A47B 46/00
220/486
- 5,641,171 A * 6/1997 Posey B65F 1/1468
280/47.34
- D508,321 S * 8/2005 Anderson D3/306
- 9,596,931 B1 * 3/2017 Nimgulkar A47B 88/49

- 10,306,982 B2 * 6/2019 Chiang A47B 88/427
- 2002/0125802 A1 * 9/2002 Remmers A47B 88/402
312/334.7
- 2019/0298059 A1 * 10/2019 Chen A47B 88/407

OTHER PUBLICATIONS

Pull Out Trash Can, announced 2018 [online], [site visited Mar. 9, 2020, URL: https://www.amazon.com/Rev-Shelf-53WC-1535SCDM-117-Container-Soft-Close/dp/B00VI78ZN8/ref=sr_1_52?crid=3GR2IK0BH057O&keywords=trashcan+pullout+hardware&qid=1583176609&srefix=trashcan+pullout+%2Caps%2C133&sr=8-52 (Year: 2018).*

(Continued)

Primary Examiner — Kevin K Rudzinski

Assistant Examiner — Tamara L Hahn

(74) *Attorney, Agent, or Firm* — Schultz & Associates, P.C.

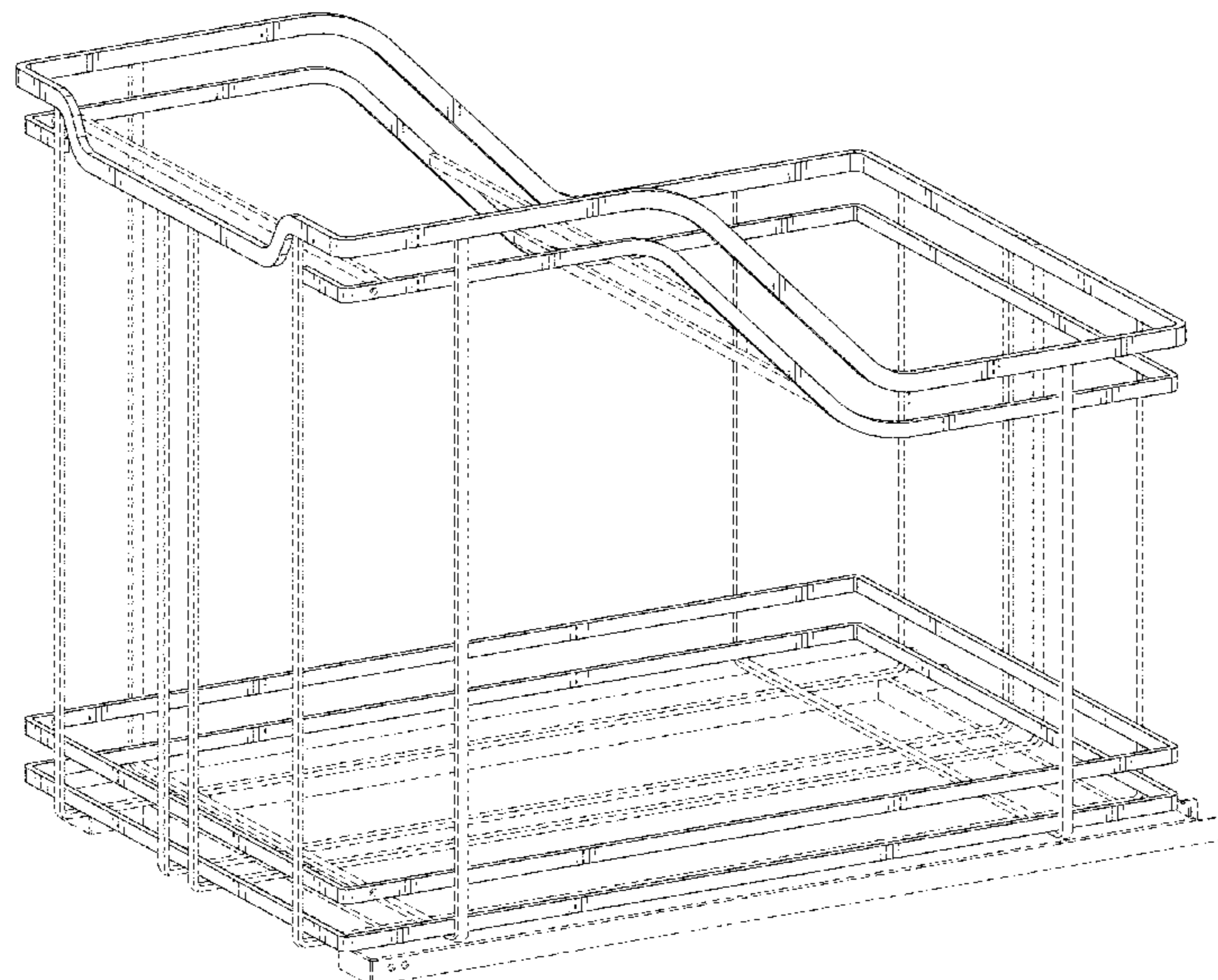
(57) **CLAIM**

The ornamental design for a trashcan pullout, as shown and described.

DESCRIPTION

FIG. 1 is a perspective view of a trashcan pullout shown independent of environment for ease of disclosure only; FIG. 2 is a front elevation view thereof, shown independent of environment for ease of disclosure only; FIG. 3 is a rear elevation view thereof, shown independent of environment for ease of disclosure only; FIG. 4 is right side elevation view thereof, shown independent of environment for ease of disclosure only; and, FIG. 5 is a left side elevation view thereof, shown independent of environment for ease of disclosure only; FIG. 6 is a top plan view thereof, shown independent of environment for ease of disclosure only; and, FIG. 7 is a bottom plan view thereof, shown independent of environment for ease of disclosure only. The broken lines shown represent environment and form no part of the claimed design.

1 Claim, 7 Drawing Sheets



(56)

References Cited

OTHER PUBLICATIONS

Trash Pullout Hardware, announced 2019 [online], [site visited Mar. 9, 2020]. Available from internet, URL: https://www.homedecorhardware.com/hf-502-56-920.html?utm_source=googlepepla&utm_medium=adwords&id=1057318497352&gclid=EAlalQobChMlq9P7i_-B6AIVmovlCh3oHAKHEAkYDCABEgJJhfD_BwE (Year: 2019).*

Hardware Resources Pullout Waste Container, announced 2014 [online], [site visited Mar. 9, 2020]. Available from internet, URL: <https://www.amazon.com/Hardware-Resources-CAN-EBMDB-R-Pullout-Container/dp/B003UUVFWY> (Year: 2014).*

* cited by examiner

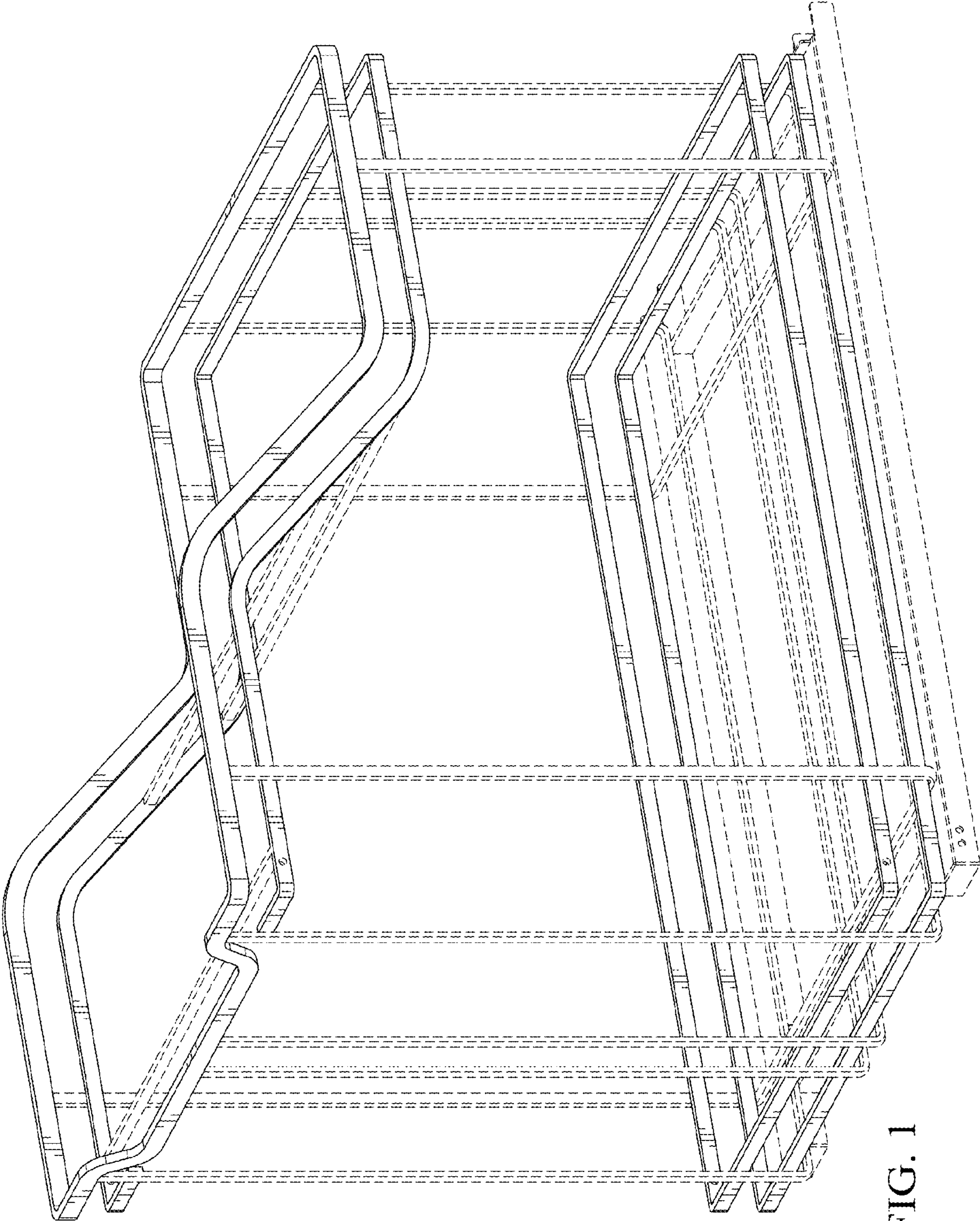


FIG. 1

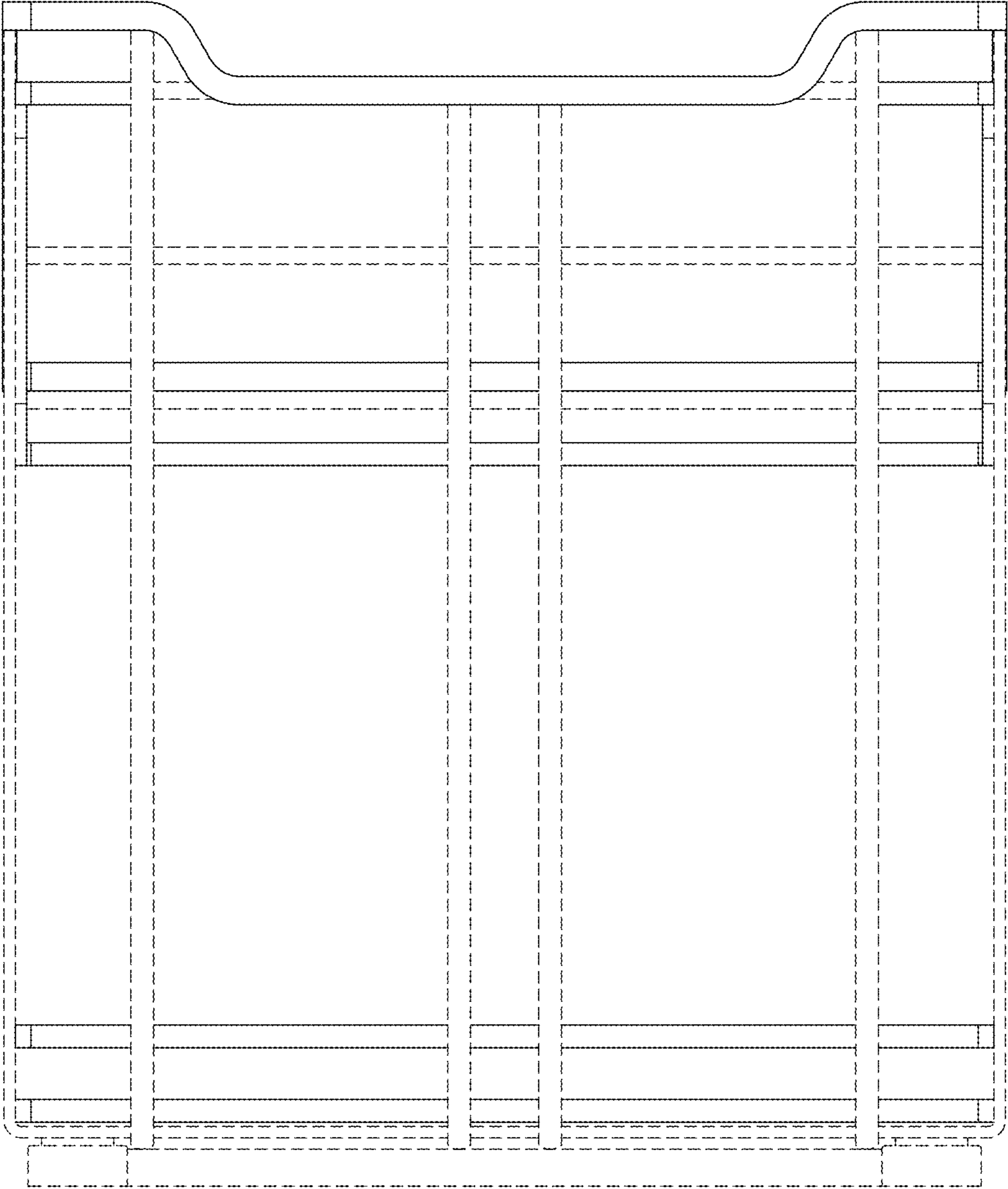


FIG. 2

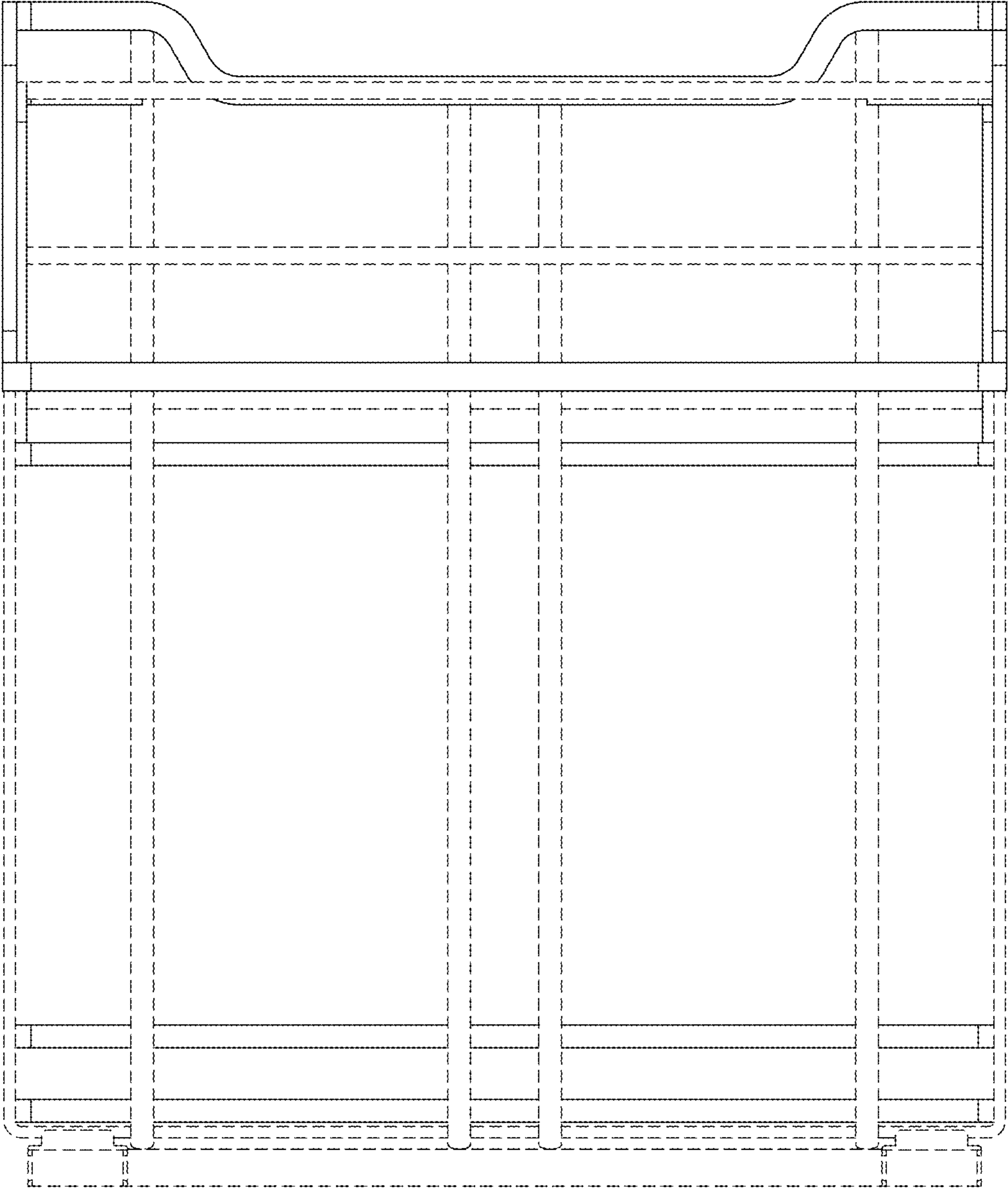


FIG. 3

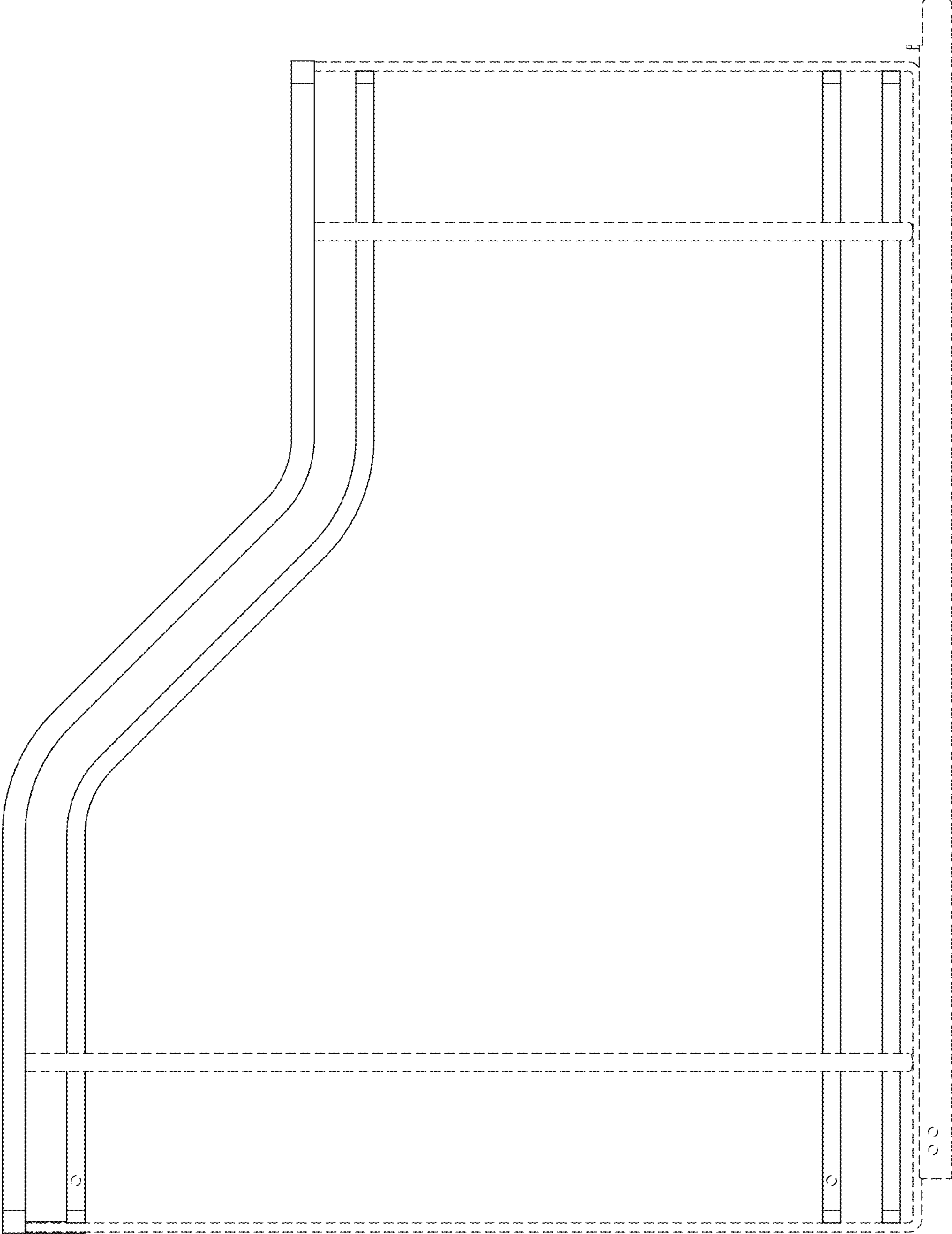


FIG. 4

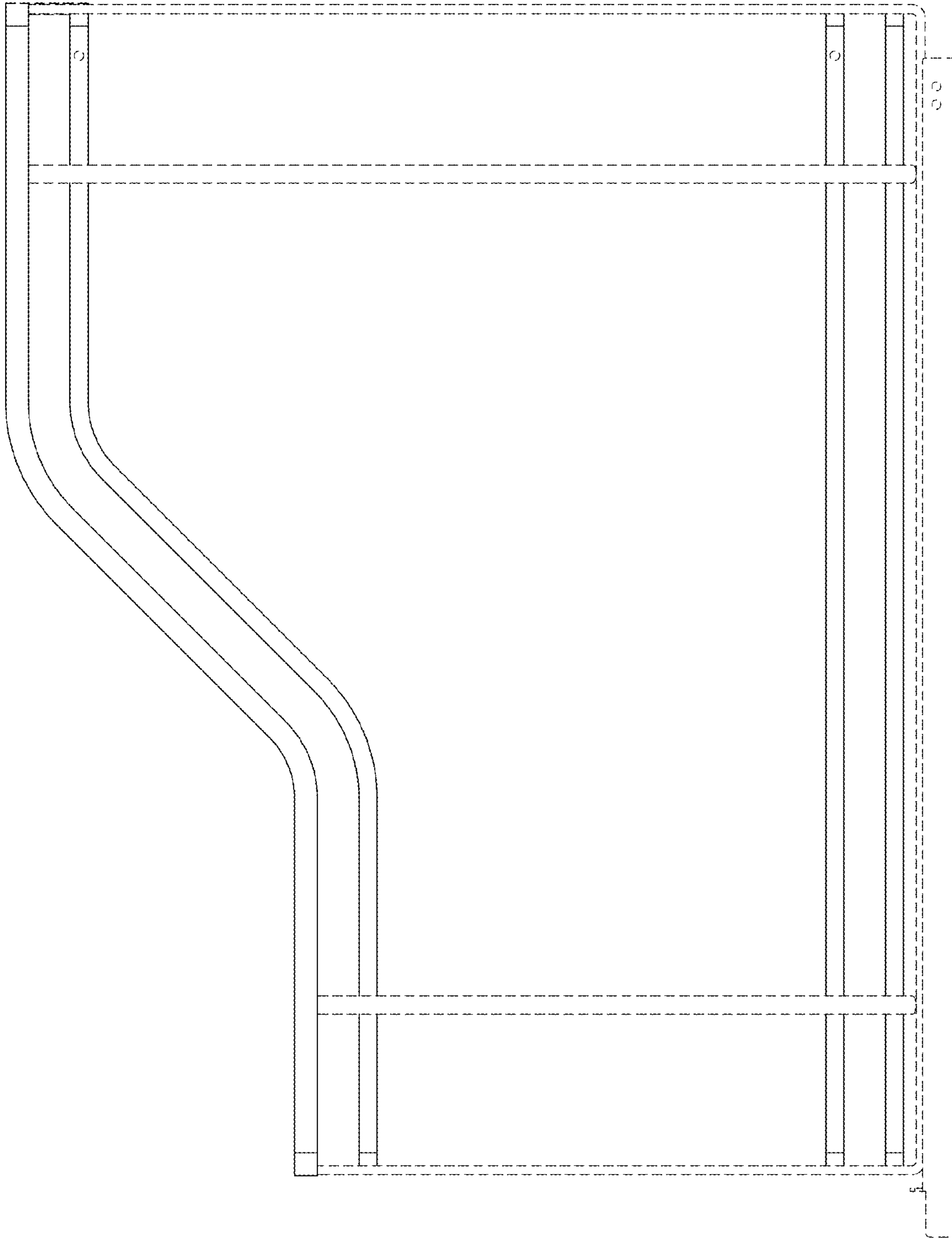


FIG. 5

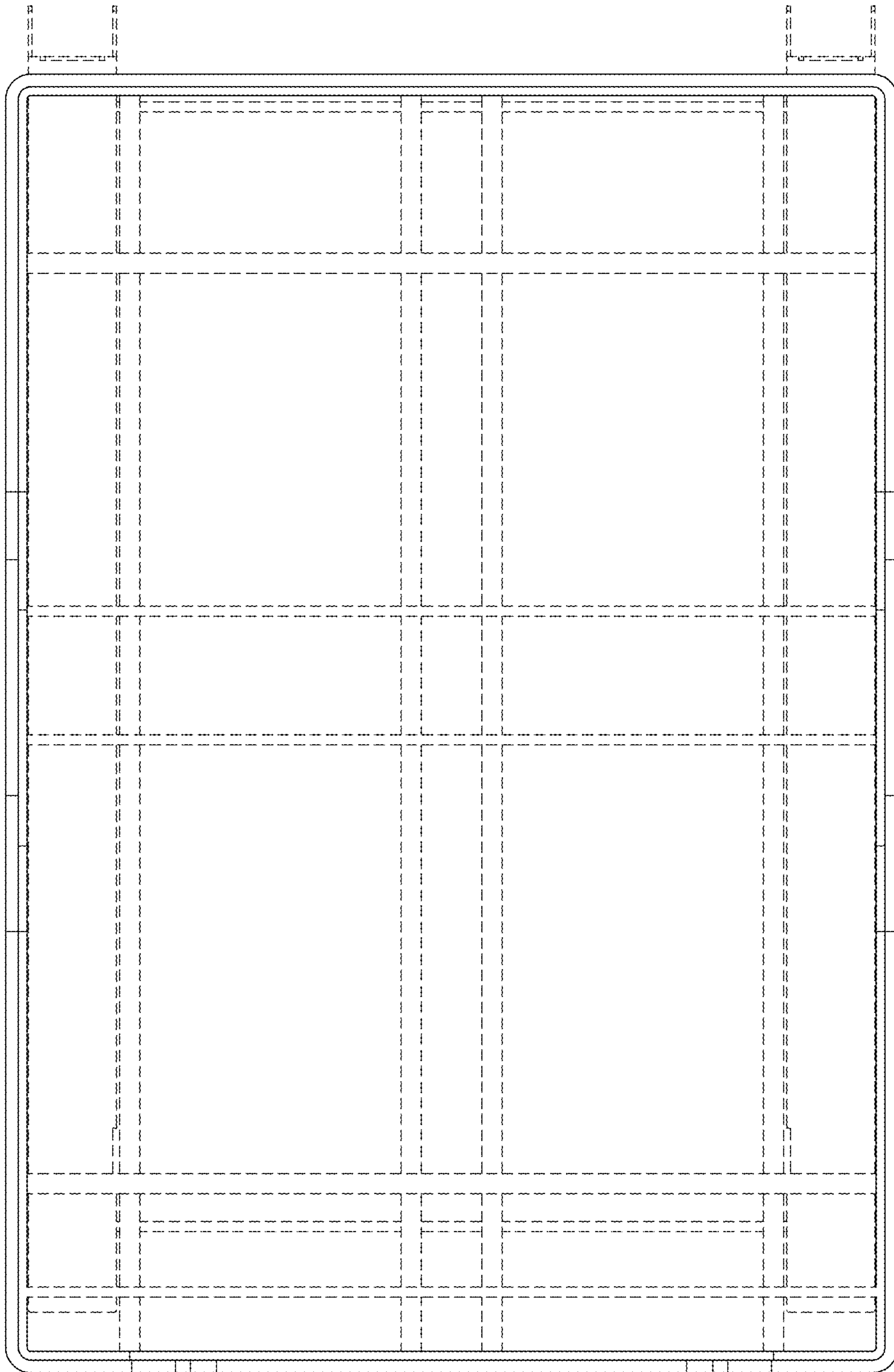


FIG. 6

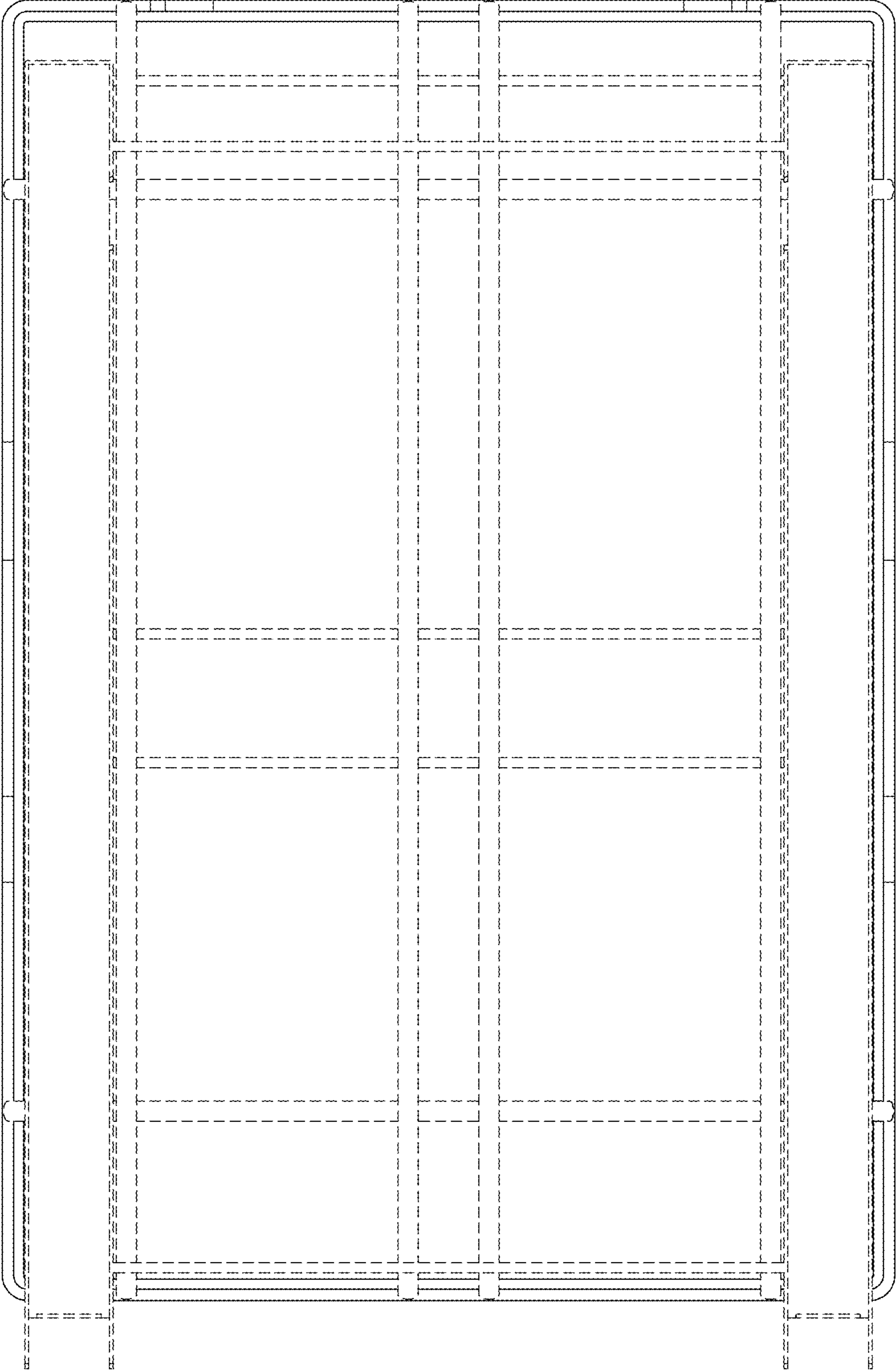


FIG. 7