



US00D891717S

(12) **United States Design Patent** (10) **Patent No.:** **US D891,717 S**
Roy (45) **Date of Patent:** **** Jul. 28, 2020**

(54) **MULTI-PURPOSE PAINT SCREEN**
(71) Applicant: **Andrea Roy**, Nashua, NH (US)
(72) Inventor: **Andrea Roy**, Nashua, NH (US)
(**) Term: **15 Years**
(21) Appl. No.: **29/675,255**
(22) Filed: **Dec. 29, 2018**
(51) **LOC (12) Cl.** **07-05**
(52) **U.S. Cl.**
USPC **D32/54**
(58) **Field of Classification Search**
USPC D32/37, 53, 53.1, 54; D3/304, 307, 315,
D3/905; D23/284, 288, 290; D7/523,
D7/540, 584, 603, 615, 630; D21/532;
D9/440
CPC B44D 3/123; B44D 3/128; B44D 3/12;
B44D 3/126; B44D 3/127; B65D
2543/00092
See application file for complete search history.

7,513,466 B1 * 4/2009 Daily A46B 17/02
248/110
D846,822 S * 4/2019 Boyce A01G 31/02
D32/54
D854,929 S * 7/2019 Bacher A01G 31/02
D9/436
D855,160 S * 7/2019 Najimi B01D 29/03
D23/261
2004/0007514 A1 1/2004 Milne
2009/0169756 A1 7/2009 Joosten
2012/0228331 A1 9/2012 MacDonald et al.
2016/0244317 A1 8/2016 Batistakis

FOREIGN PATENT DOCUMENTS

CN 205361868 U 7/2016
DE 202017105783 U1 11/2017

* cited by examiner

Primary Examiner — Sheryl Lane
Assistant Examiner — Calvin E Vansant
(74) *Attorney, Agent, or Firm* — Lambert Shortell &
Connaughton; Gary E. Lambert; David J. Connaughton

(57) **CLAIM**

The ornamental design for a multi-purpose paint screen, as shown and described.

DESCRIPTION

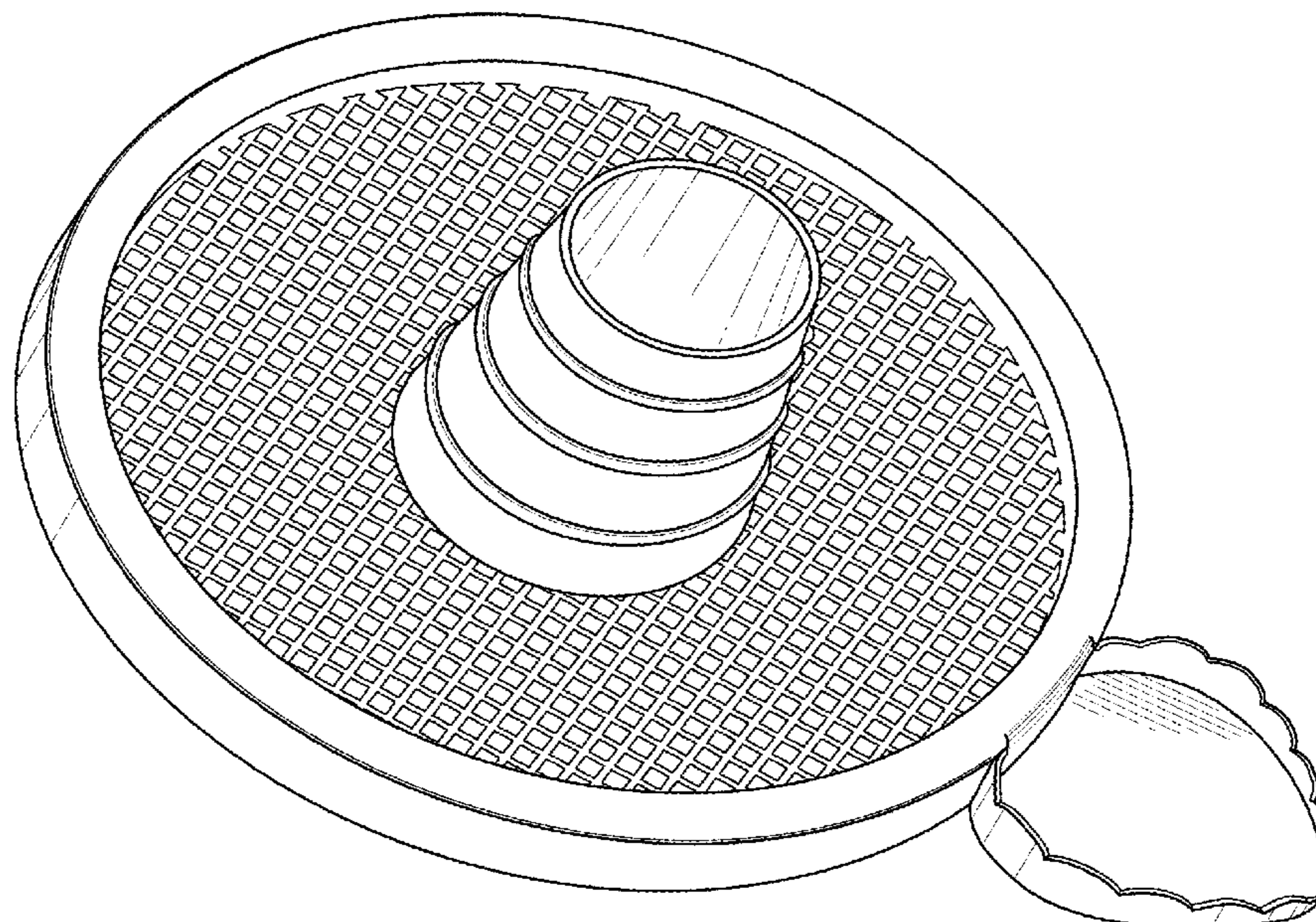
FIG. 1 is an isometric view of the multi-purpose paint screen, which embodies my design;
FIG. 2 is a top view of the multi-purpose paint screen;
FIG. 3 is a bottom view of the multi-purpose paint screen;
FIG. 4 is a side view of the multi-purpose paint screen;
FIG. 5 is a side view of the multi-purpose paint screen;
FIG. 6 is a side view of the multi-purpose paint screen; and,
FIG. 7 is a side view of the multi-purpose paint screen.
The broken lines depict portions of the multi-purpose paint screen that form no part of the claim.

1 Claim, 5 Drawing Sheets

(56) **References Cited**

U.S. PATENT DOCUMENTS

2,606,694 A 8/1952 Galletta
2,849,158 A 8/1958 Hopla
3,301,404 A 1/1967 Becker
4,066,557 A 1/1978 Banoczi
4,804,470 A 2/1989 Calvillo et al.
5,059,319 A 10/1991 Welsh
D398,663 S * 9/1998 Freeland D21/532
5,914,036 A 6/1999 Sullivan, Jr.
D419,874 S * 2/2000 Smith D9/440
6,247,600 B1 * 6/2001 Sullivan, Jr. B01D 29/03
210/464
6,436,286 B1 8/2002 Scott
6,983,869 B1 1/2006 Stevens
D581,747 S * 12/2008 Repp D7/667



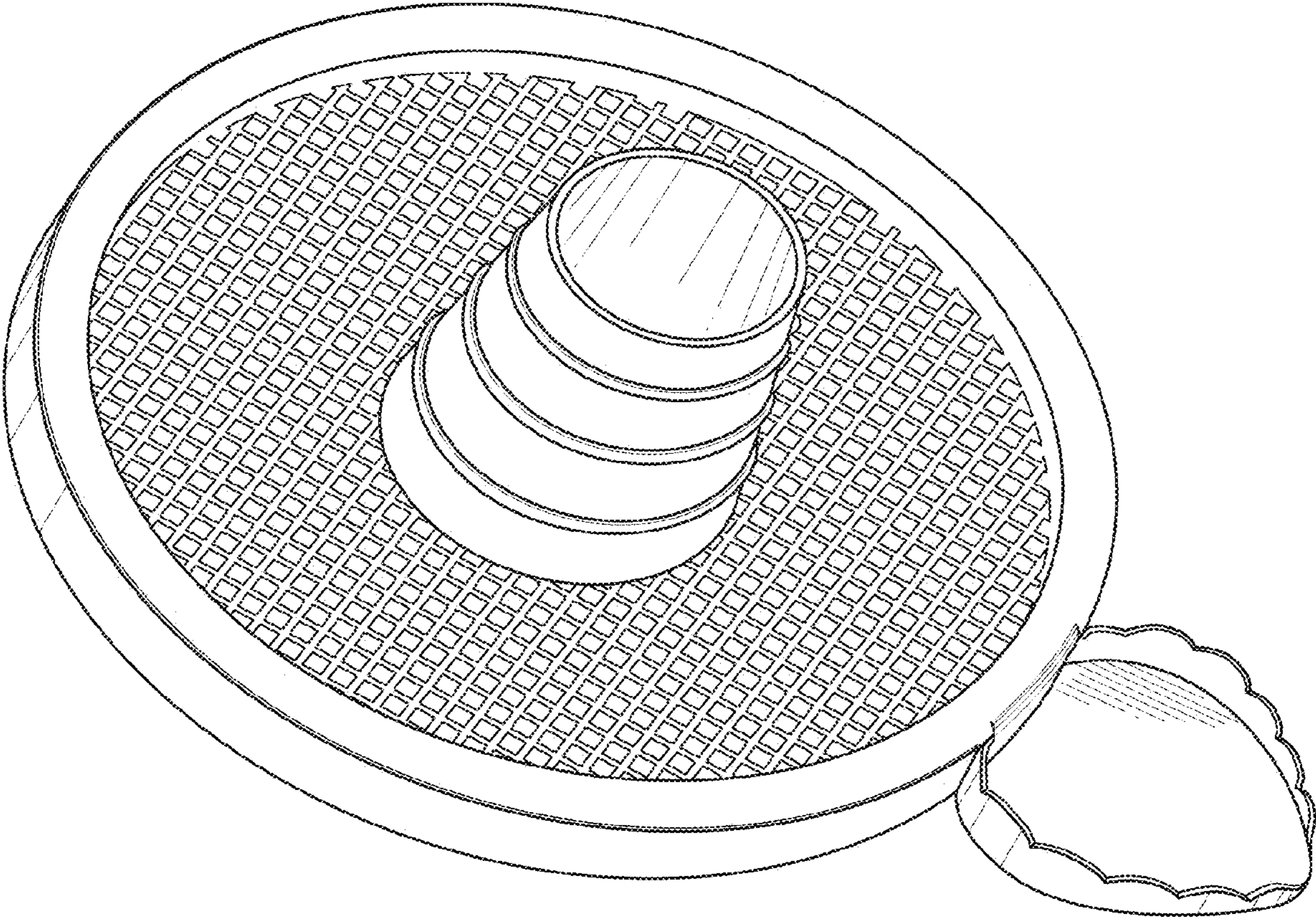


Fig. 1

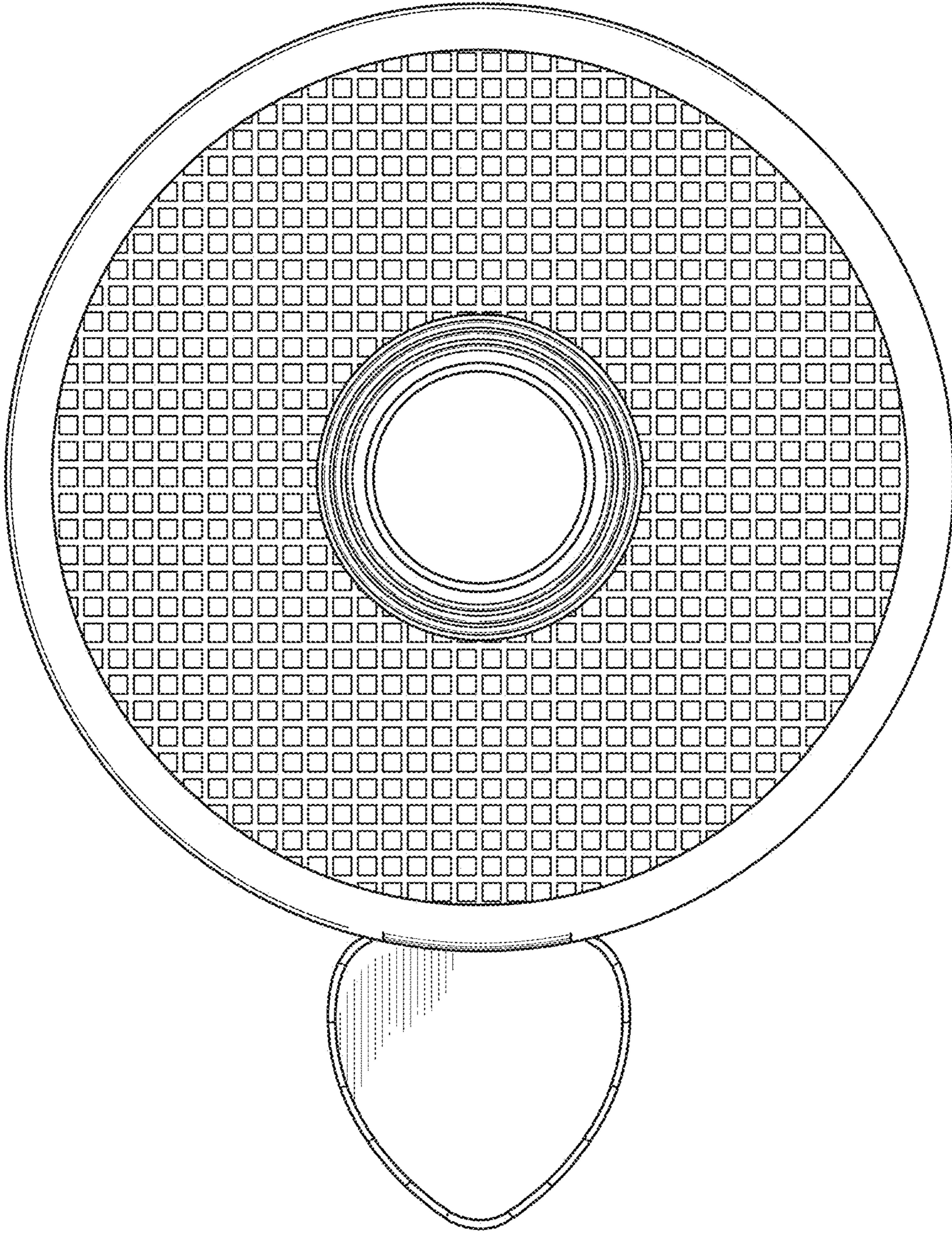


Fig. 2

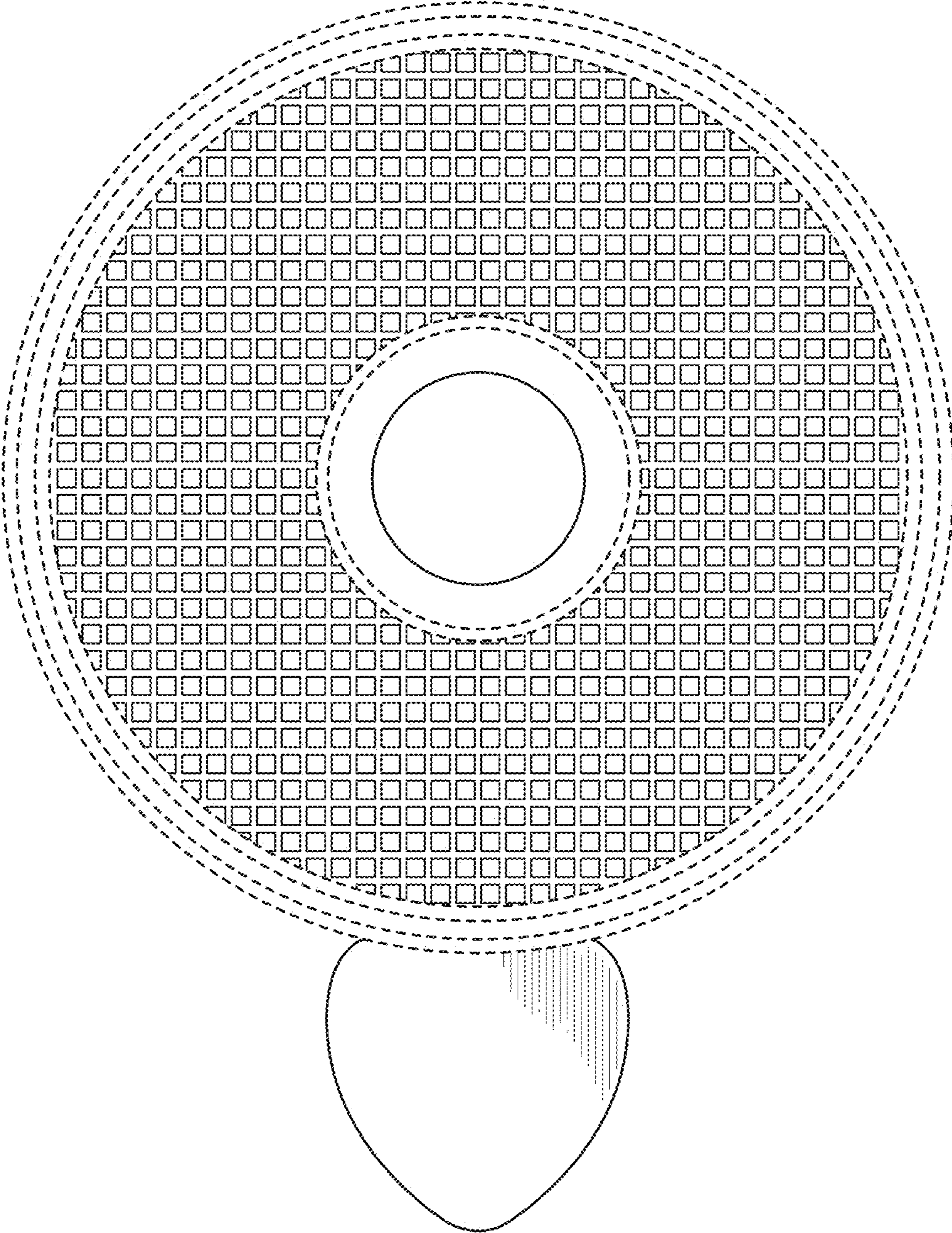


Fig. 3

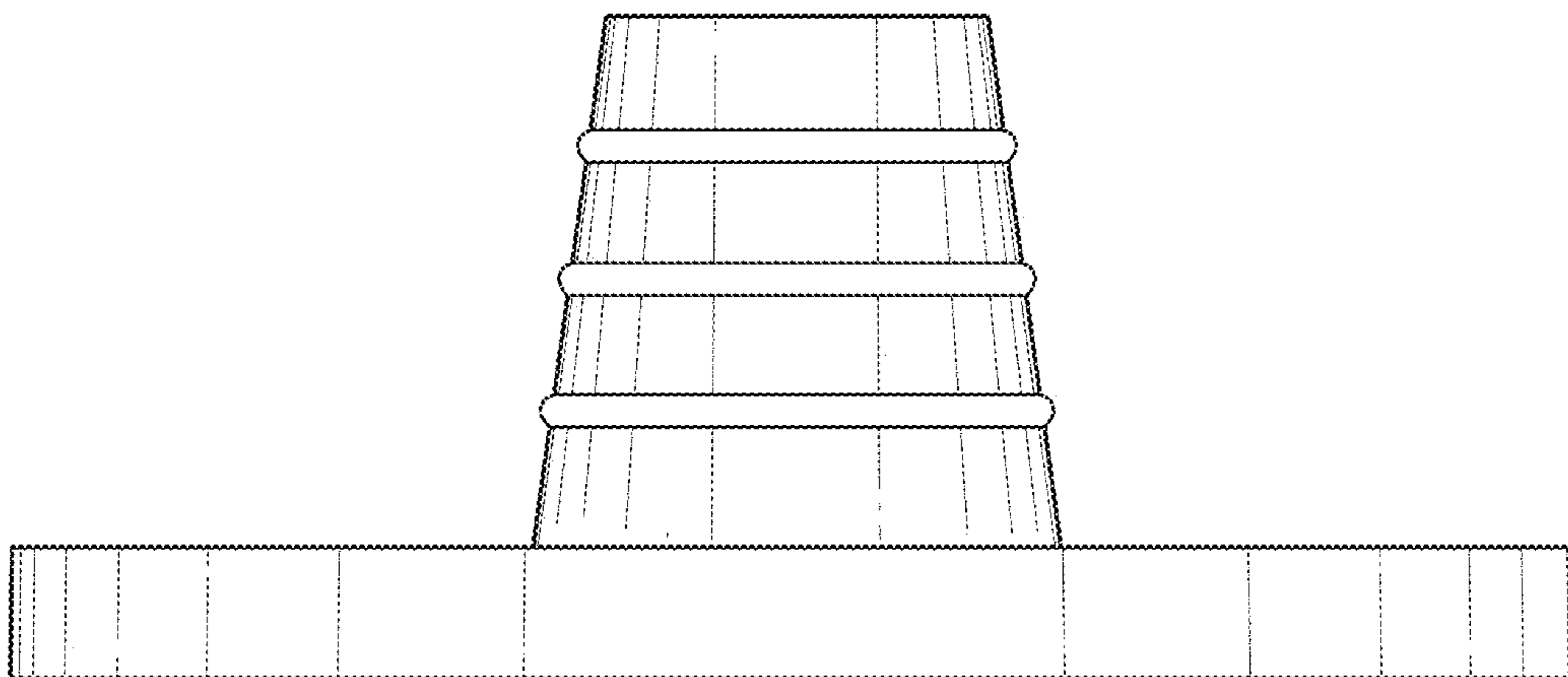


Fig. 4

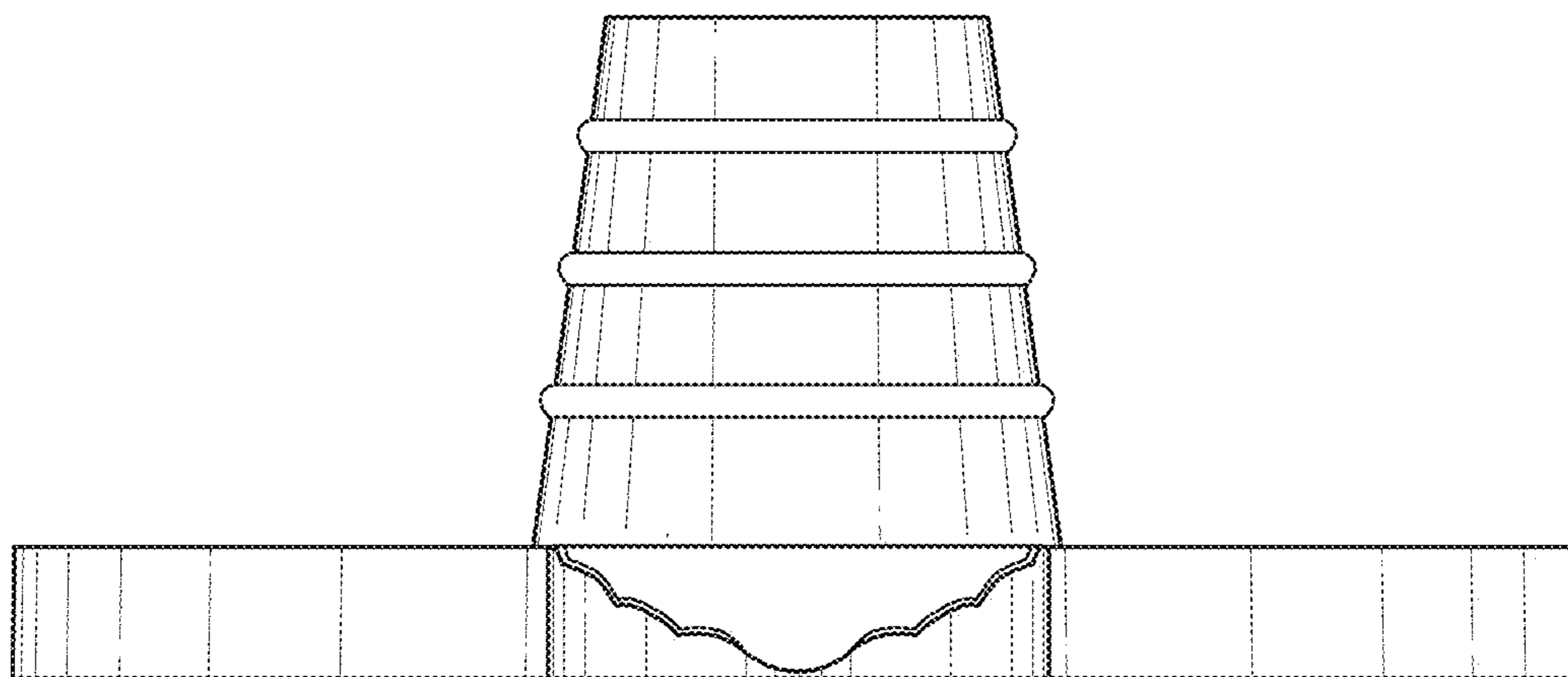


Fig. 5

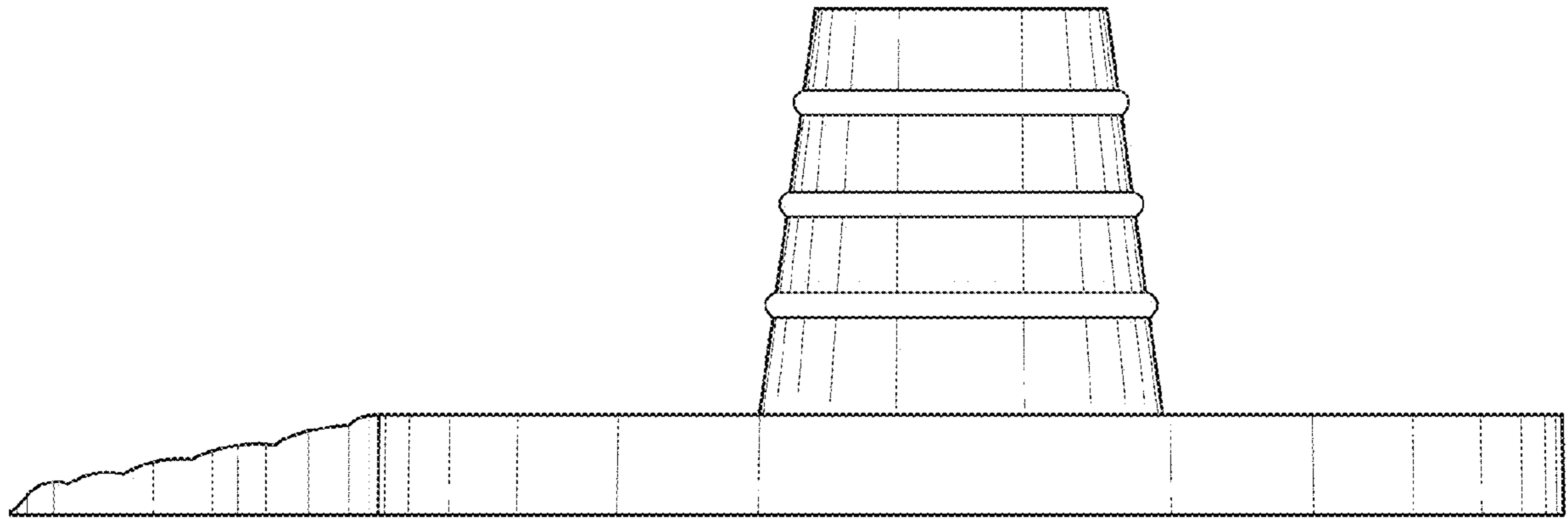


Fig. 6

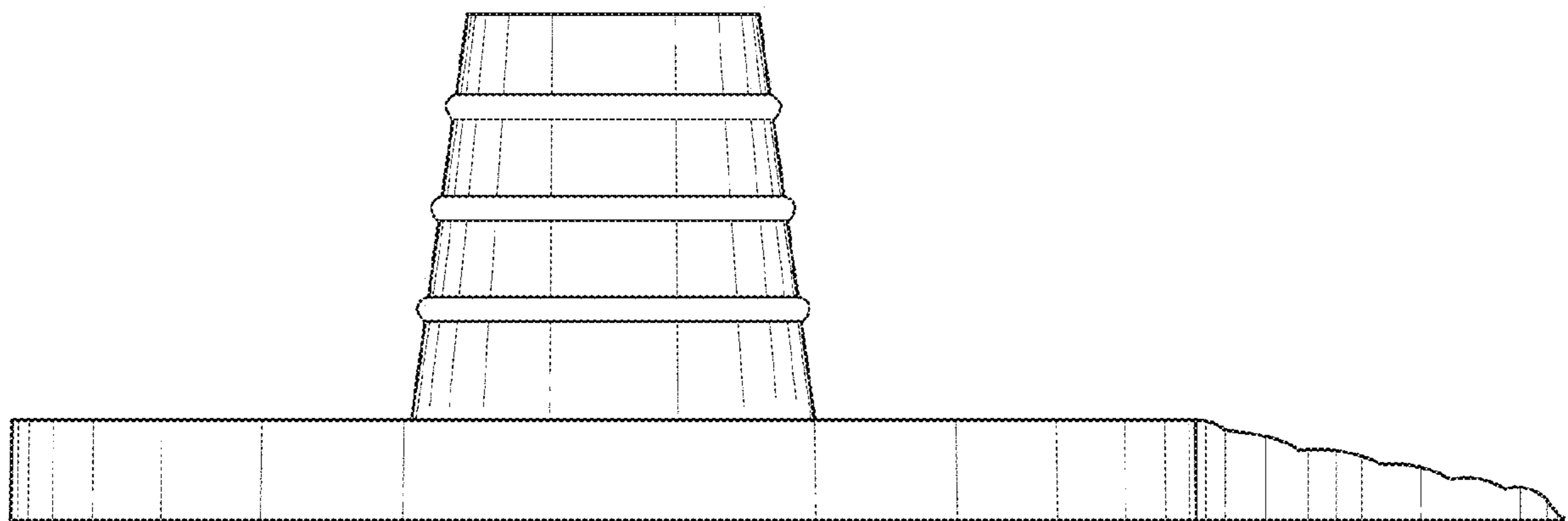


Fig. 7