



US00D891716S

(12) **United States Design Patent**
Sanders et al.

(10) **Patent No.:** **US D891,716 S**
(45) **Date of Patent:** **** Jul. 28, 2020**

(54) **LID ADAPTER FOR WET/DRY VACUUM
CLEANER WITH DETACHABLE BLOWER**

(71) Applicant: **Emerson Electric Co.**, St. Louis, MO
(US)

(72) Inventors: **Jeremy Sanders**, St. Louis, MO (US);
Gregory Wilsey, Wildwood, MO (US)

(73) Assignee: **Emerson Electric Co.**, St. Louis, MO
(US)

(**) Term: **15 Years**

(21) Appl. No.: **29/645,930**

(22) Filed: **Apr. 30, 2018**

(51) **LOC (12) Cl.** **15-05**

(52) **U.S. Cl.**
USPC **D32/21**

(58) **Field of Classification Search**
USPC D32/21-23, 31, 34
CPC . A47L 5/362; A47L 5/365; A47L 5/28; A47L
5/32; A47L 5/36; A47L 7/0004; A47L
7/0038; A47L 11/29; A47L 11/30
See application file for complete search history.

(56) **References Cited**

U.S. PATENT DOCUMENTS

D360,718 S *	7/1995	Rakocy	D32/31
D362,091 S	9/1995	Tomasiak et al.	
D418,643 S	1/2000	Hoshino	
D438,353 S	2/2001	Hoshino et al.	
D443,739 S	6/2001	Young et al.	
D447,609 S	9/2001	Hult et al.	
D470,279 S *	2/2003	Griffin	D32/23
D470,280 S *	2/2003	Griffin	D32/23
D470,281 S *	2/2003	Griffin	D32/23
D479,023 S	8/2003	Holsten et al.	
D479,371 S *	9/2003	Griffin	D32/23
D486,280 S *	2/2004	Holsten	D32/23

D492,823 S	7/2004	Hoshino et al.	
D492,824 S	7/2004	Tomasiak et al.	
D507,386 S *	7/2005	Griffin	D32/21
D519,251 S	4/2006	Hoshino et al.	
D520,689 S	5/2006	Eccardt et al.	
D527,504 S *	8/2006	Griffin	D32/21
D528,256 S	9/2006	Beth et al.	
D528,718 S	9/2006	Tomasiak et al.	
D537,992 S	3/2007	Hoshino	
D541,818 S	5/2007	Rhea et al.	
D549,903 S	8/2007	Eccardt et al.	
D551,681 S	9/2007	Rhea et al.	
D558,410 S	12/2007	Hill et al.	

(Continued)

FOREIGN PATENT DOCUMENTS

CA	ID87833 S	10/1999
CA	ID89522 S	5/2000

(Continued)

Primary Examiner — Michael A. Pratt

(74) *Attorney, Agent, or Firm* — Armstrong Teasdale LLP

(57) **CLAIM**

We claim the ornamental design for a lid adapter for wet/dry vacuum cleaner with detachable blower, as shown and described.

DESCRIPTION

FIG. 1 is a front perspective view of a lid adapter for wet/dry vacuum cleaner with detachable blower showing the new design.

FIG. 2 is a front view thereof.

FIG. 3 is a rear view thereof.

FIG. 4 is a right side view thereof.

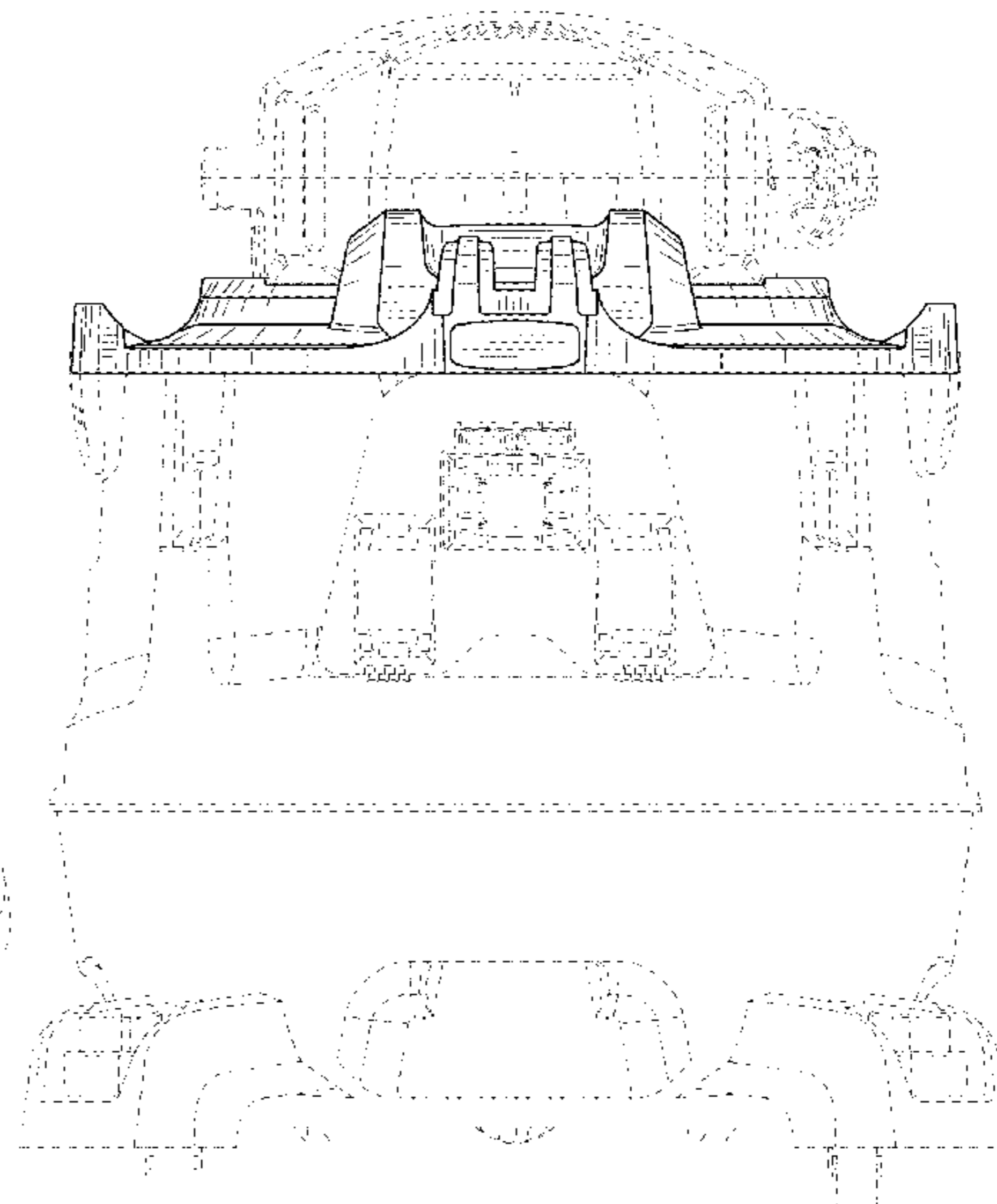
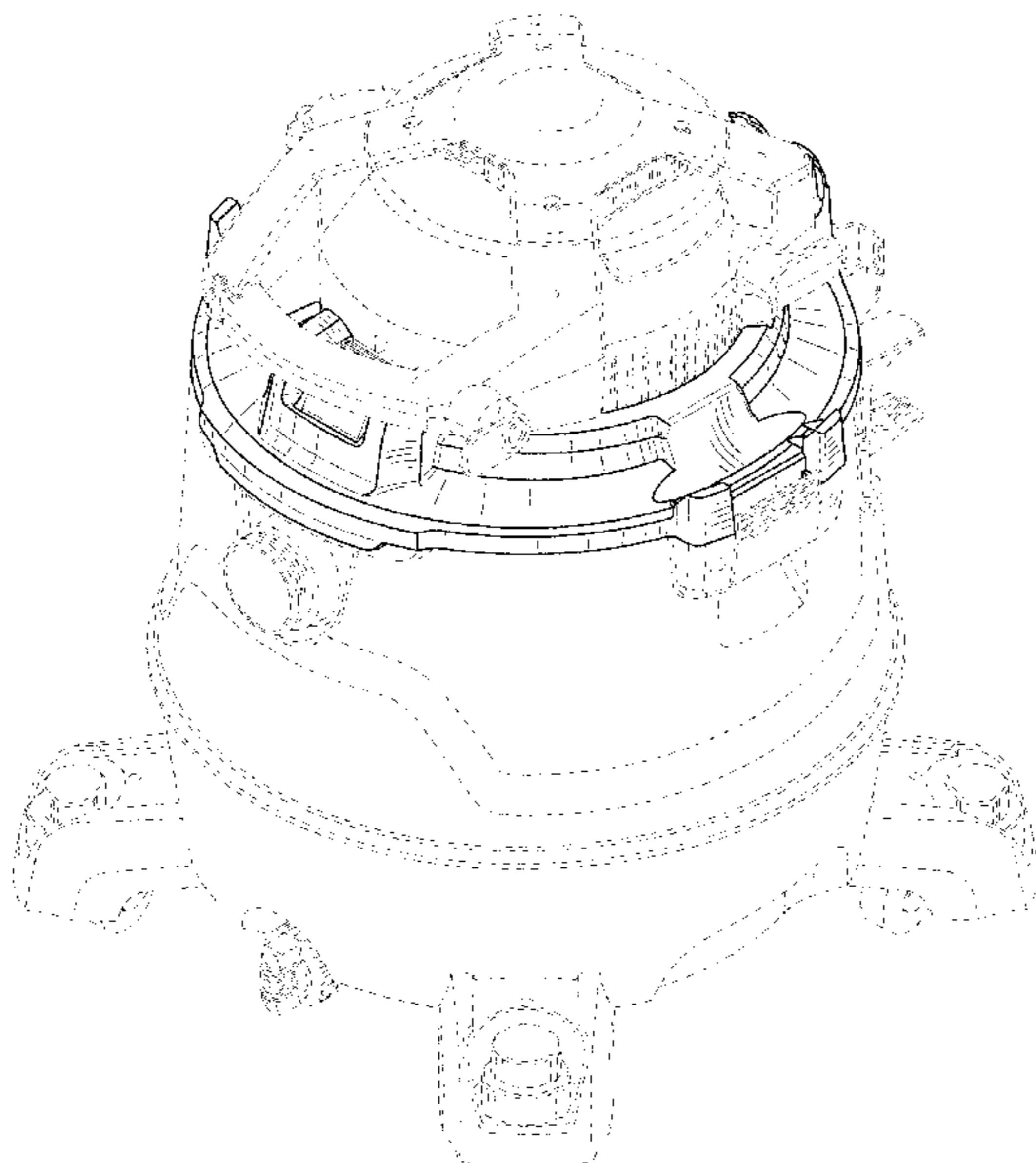
FIG. 5 is a left side view thereof.

FIG. 6 is a top view thereof; and,

FIG. 7 is a bottom view thereof.

The details shown in broken lines form no part of the claimed design.

1 Claim, 7 Drawing Sheets



(56)

References Cited

U.S. PATENT DOCUMENTS

D565,269 S	3/2008	Tomasiak et al.	
D577,164 S	9/2008	Williams et al.	
D580,115 S	11/2008	Theising et al.	
D595,910 S	7/2009	Hollis et al.	
D596,359 S	7/2009	Hollis et al.	
D614,369 S	4/2010	Theising et al.	
D615,259 S	5/2010	Theising et al.	
D617,514 S *	6/2010	Hollis	D32/31
D618,870 S	6/2010	Williams et al.	
D634,494 S	3/2011	Theising et al.	
D638,181 S *	5/2011	Crevling, Jr.	D32/31
D647,260 S	10/2011	Hollis et al.	
D647,261 S	10/2011	Schultz et al.	
D657,101 S *	4/2012	Williams	D32/23
D666,369 S *	8/2012	Williams	D32/23
D669,646 S	10/2012	Theising et al.	
D670,046 S	10/2012	Theising et al.	
D670,048 S *	10/2012	Theising	D32/23
D672,929 S *	12/2012	Gottschall	D32/31
D675,389 S *	1/2013	Seasholtz	D32/31
D676,205 S	2/2013	Theising et al.	
D683,091 S *	5/2013	Griffin	D32/23
D740,504 S *	10/2015	Williams	D32/31
D743,655 S *	11/2015	Holsten	D32/31

FOREIGN PATENT DOCUMENTS

CA	ID89523 S	5/2000
CA	ID90731 S	10/2000

* cited by examiner

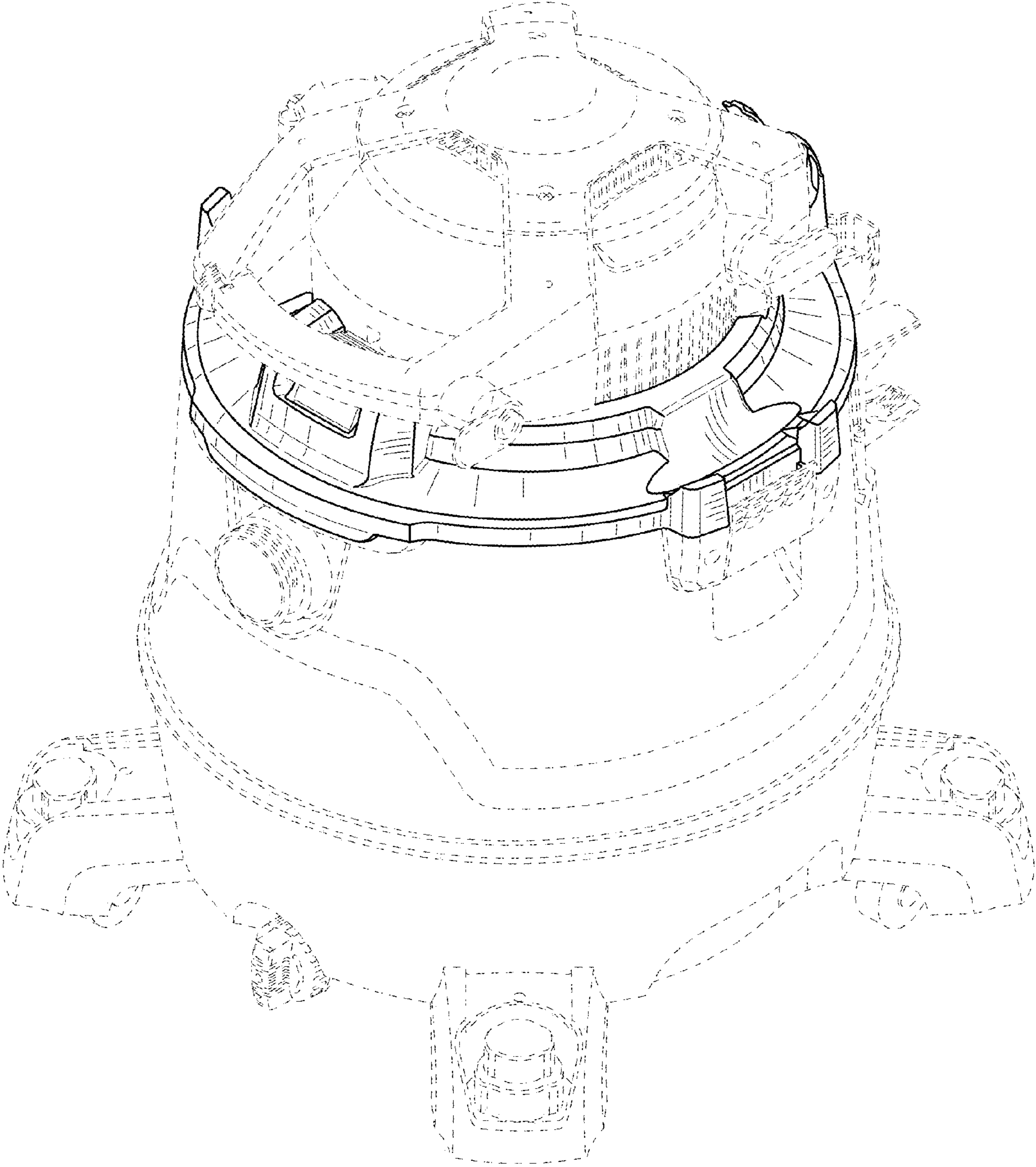


FIG. 1

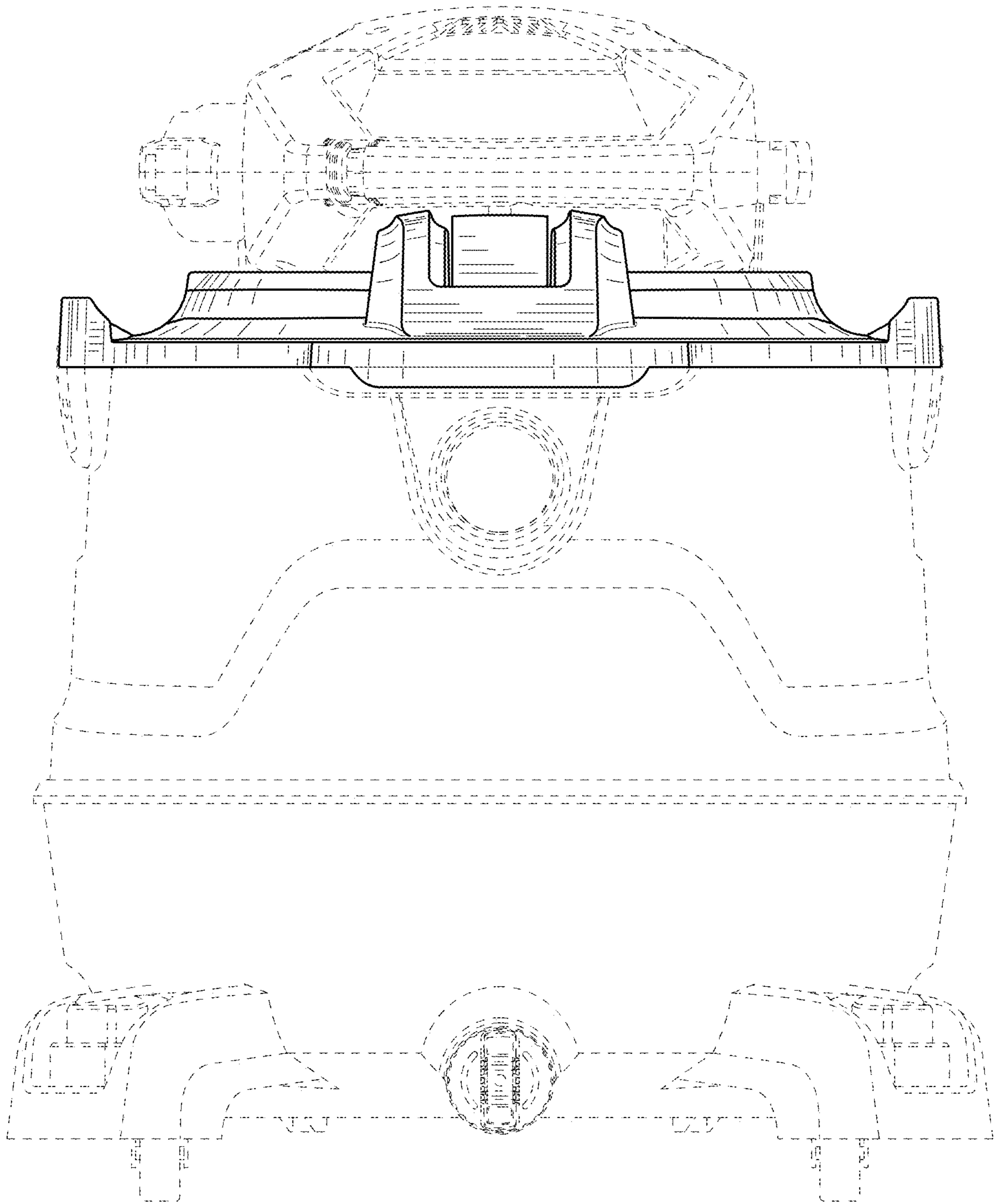


FIG. 2

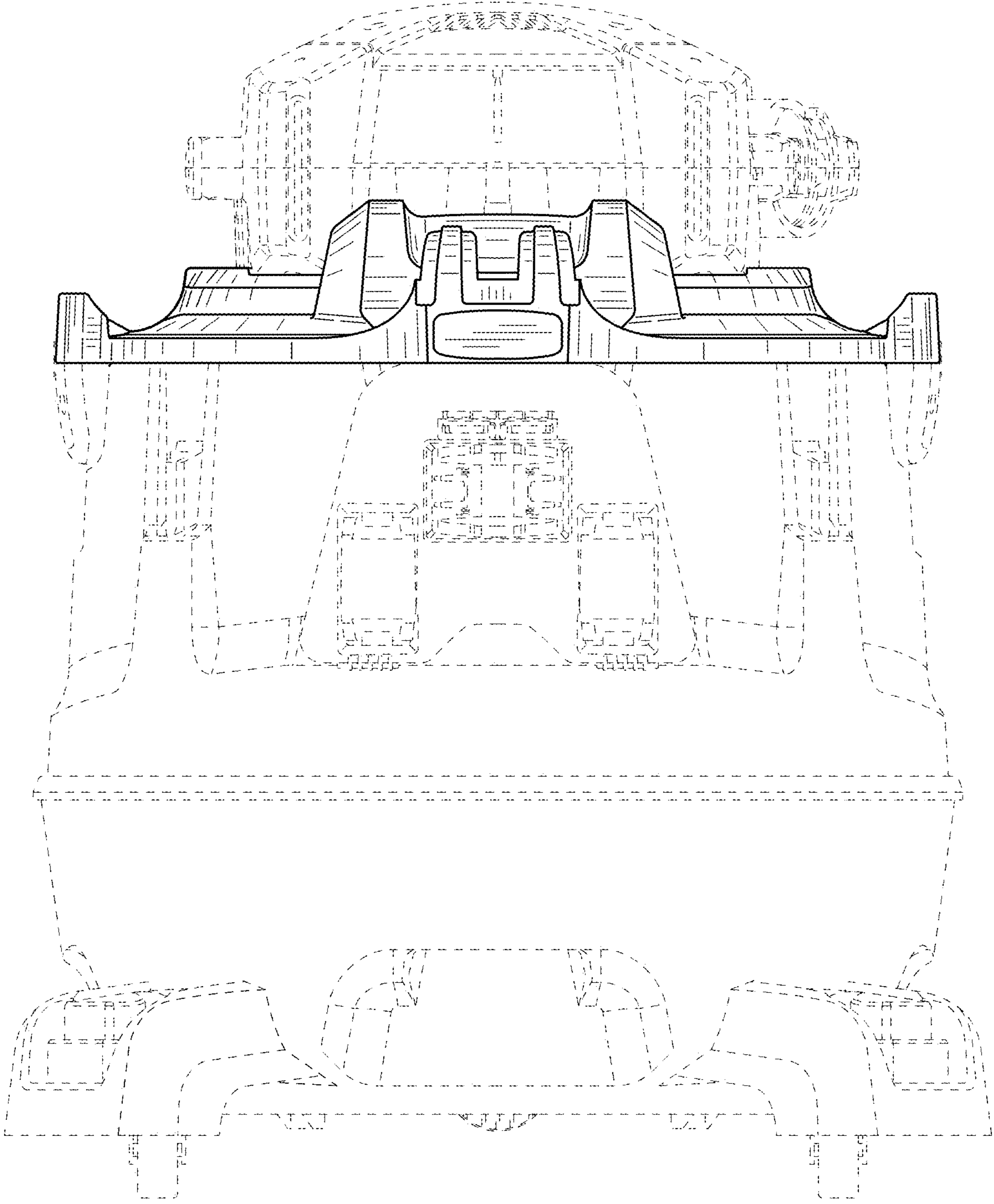


FIG. 3

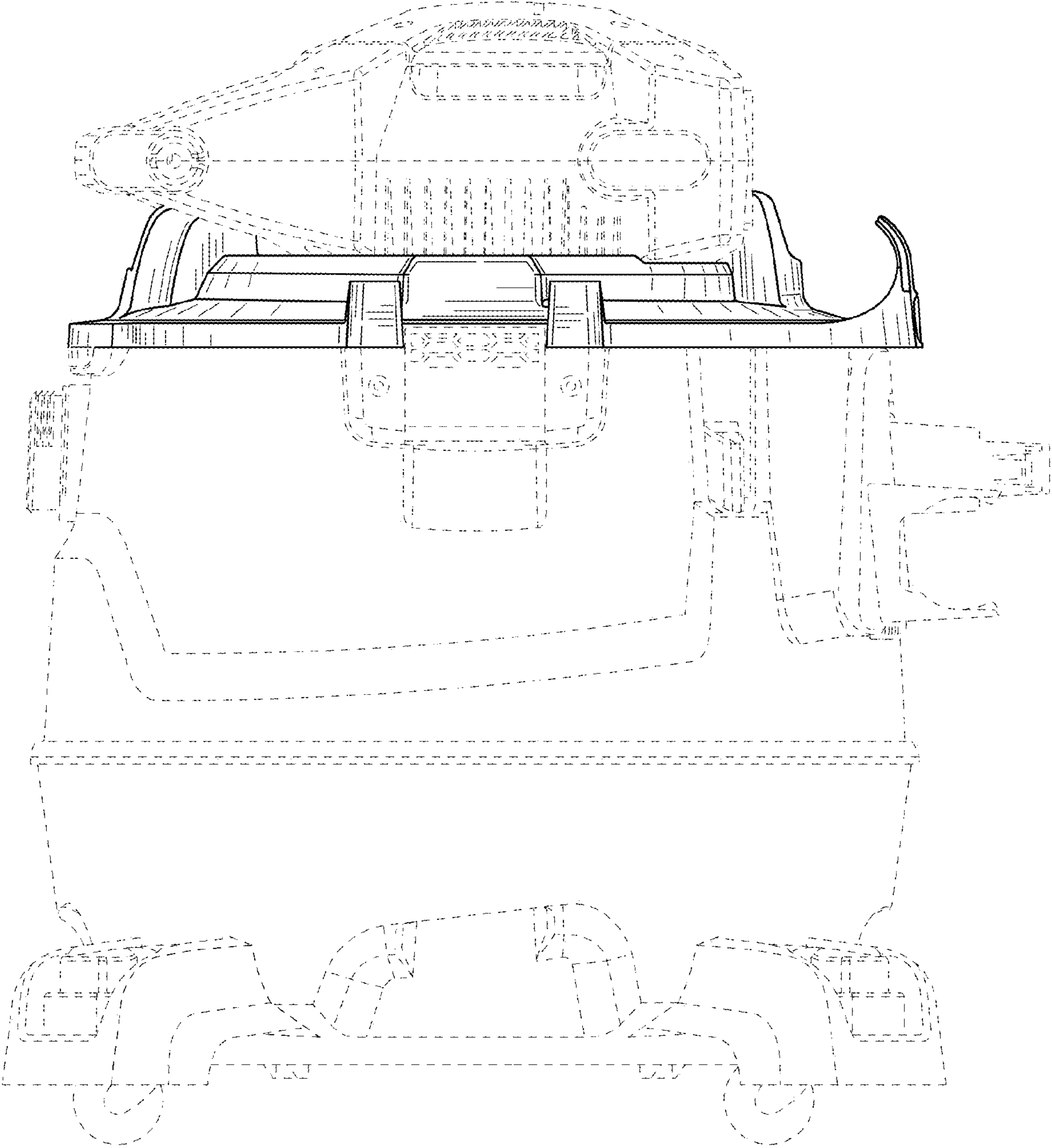


FIG. 4

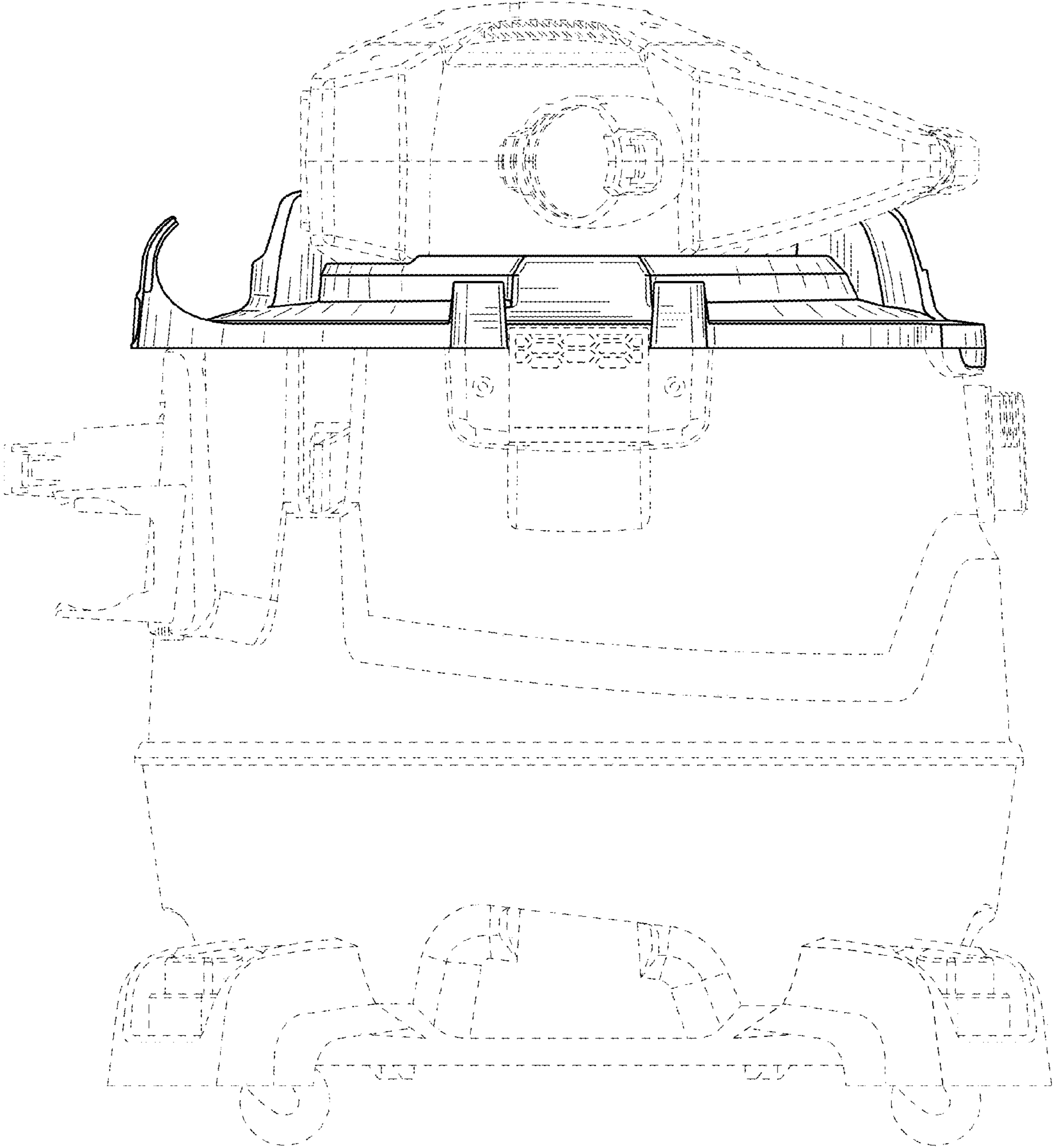


FIG. 5

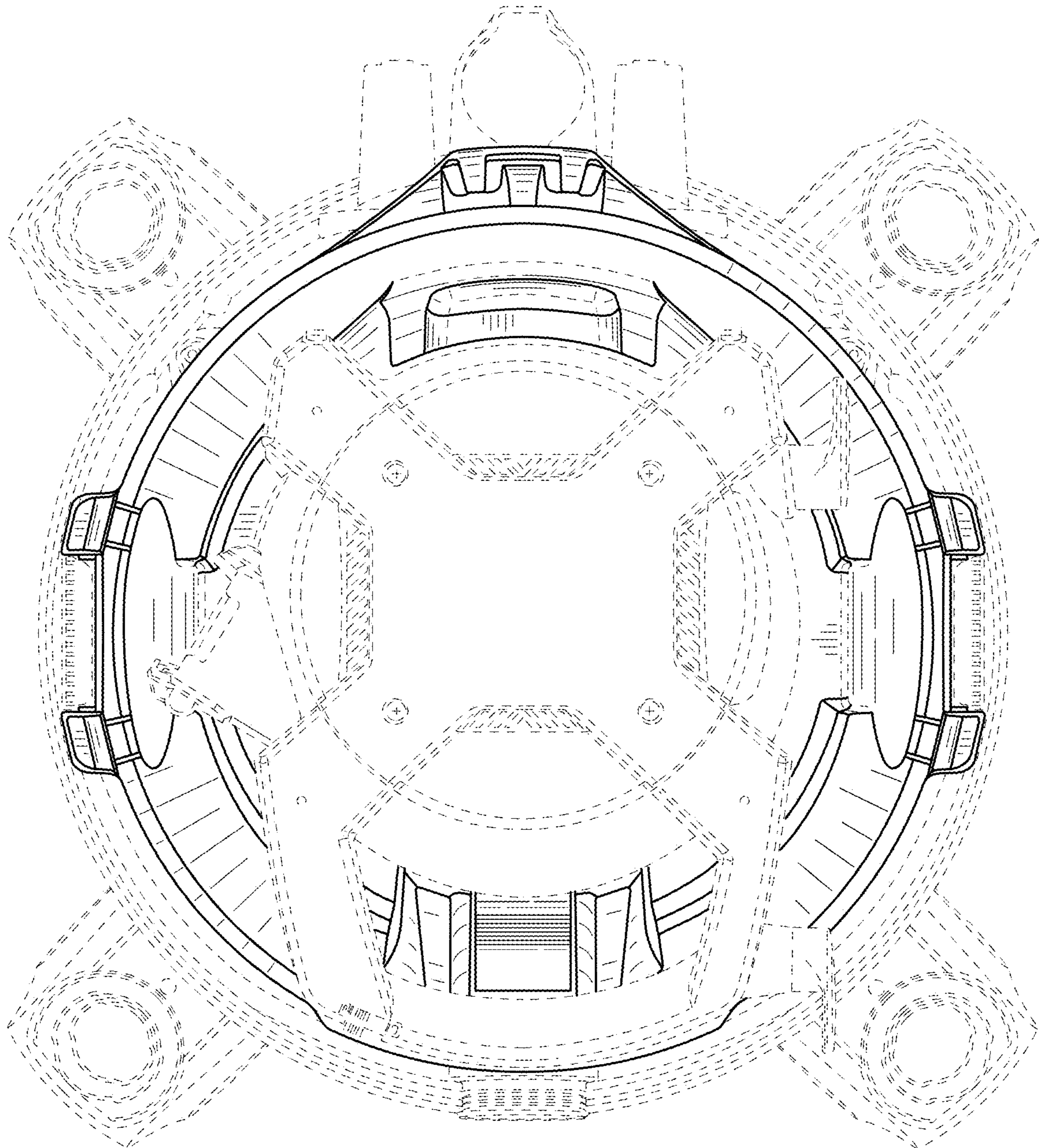


FIG. 6

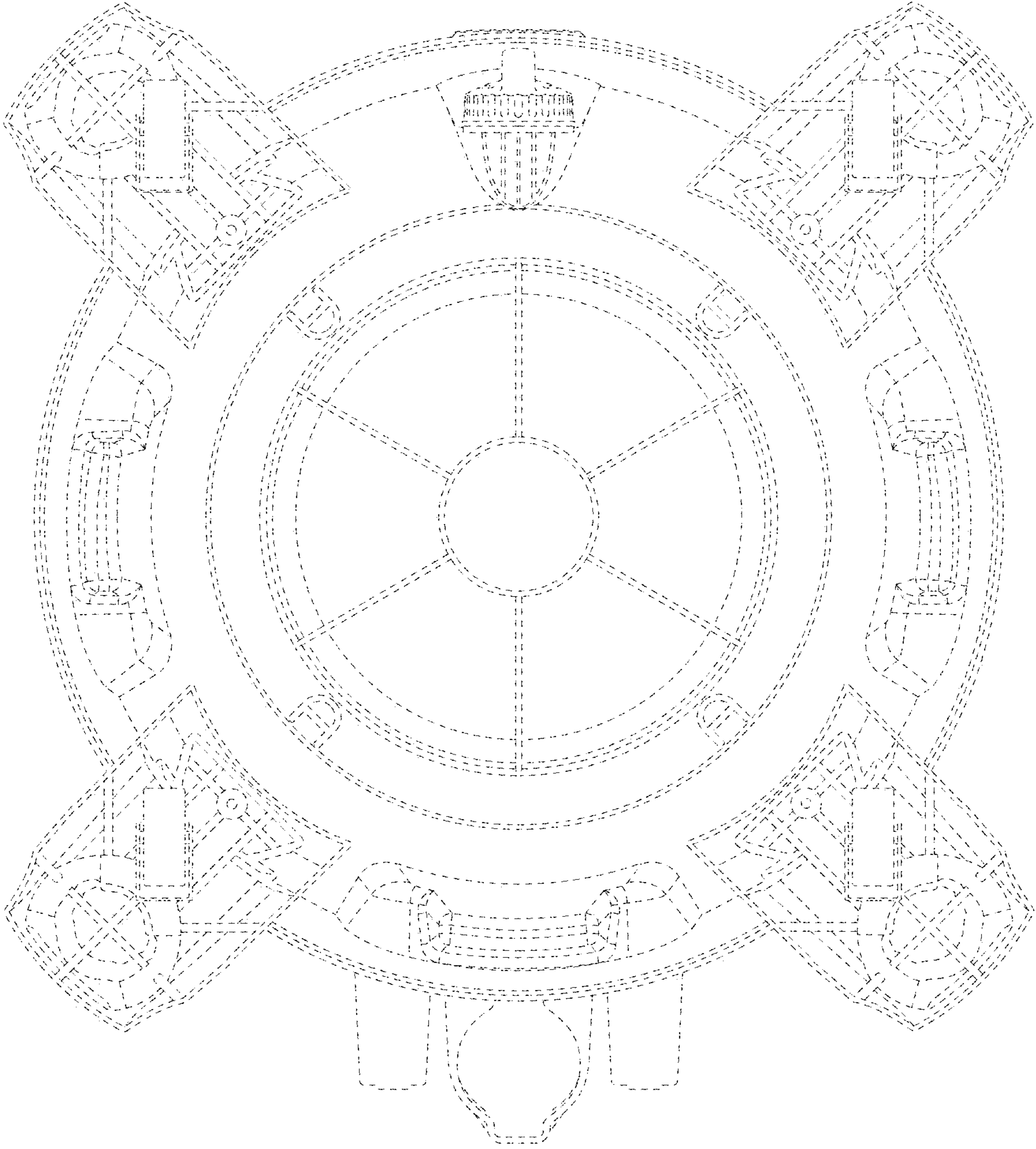


FIG. 7