



US00D891715S

(12) **United States Design Patent**
Suzuki

(10) **Patent No.:** **US D891,715 S**
(45) **Date of Patent:** **** Jul. 28, 2020**

- (54) **PET TOILET**
- (71) Applicant: **SHARP KABUSHIKI KAISHA,**
Sakai, Osaka (JP)
- (72) Inventor: **Keiji Suzuki,** Sakai (JP)
- (73) Assignee: **Sharp Kabushiki Kaisha,** Sakai, Osaka
(JP)

8,522,719 B2 * 9/2013 Feld A01G 9/033
119/168
9,204,617 B2 * 12/2015 Yamamoto A01K 1/0114
9,723,807 B2 * 8/2017 Abe A01K 1/0107
D796,748 S * 9/2017 Takagi D30/161
D840,611 S * 2/2019 Takagi D30/161
2013/0213311 A1 * 8/2013 Matsuo A01K 1/0107
119/169
2015/0334981 A1 * 11/2015 Matsuo A01K 1/0107
119/165

- (**) Term: **15 Years**
- (21) Appl. No.: **29/624,586**
- (22) Filed: **Nov. 2, 2017**

FOREIGN PATENT DOCUMENTS

JP 980609 S 5/1997
JP 1063293 S 3/2000
JP 1218415 S 9/2004
JP 1240264 S 5/2005

(Continued)

- (30) **Foreign Application Priority Data**
May 10, 2017 (JP) 2017-009942
- (51) **LOC (12) Cl.** **30-99**
- (52) **U.S. Cl.**
USPC **D30/161**
- (58) **Field of Classification Search**
USPC D30/158-161; D3/304
CPC A01K 1/011; A01K 1/0107; A01K 1/0125;
A01K 1/0121; A47K 11/02; A47K 11/06;
A47K 13/00; A47K 13/06; A47K 13/14
See application file for complete search history.

Primary Examiner — Sheryl Lane
Assistant Examiner — Aula Soroush
(74) *Attorney, Agent, or Firm* — Nixon & Vanderhye P.C.

(57) **CLAIM**

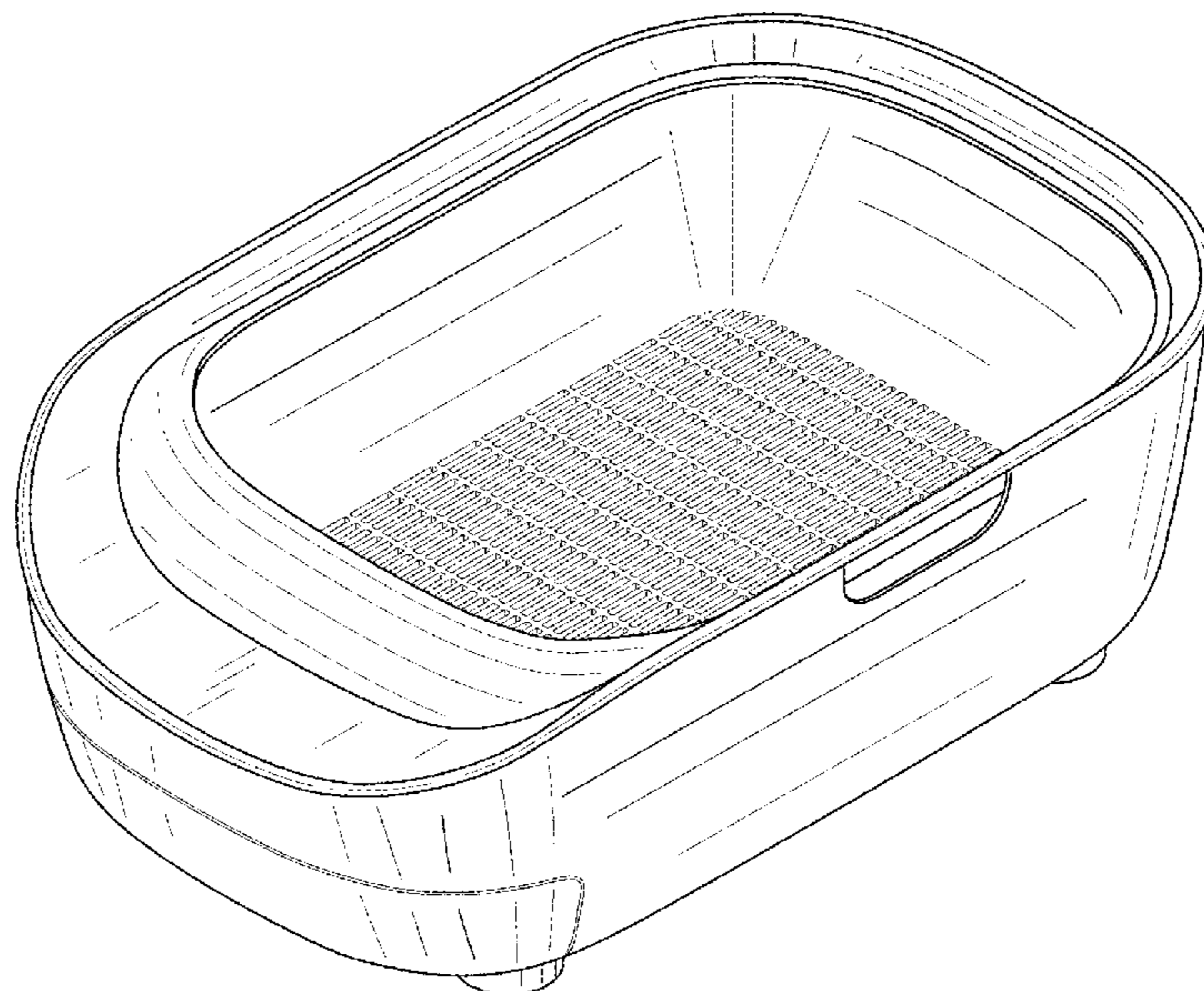
The ornamental design for a pet toilet, as shown and described.

DESCRIPTION

FIG. 1 is a front, right, top perspective view of a pet toilet in accordance with my new design;
FIG. 2 is a rear, left, top perspective view thereof;
FIG. 3 is a front elevation view thereof;
FIG. 4 is a back elevation view thereof;
FIG. 5 is a top plan view thereof;
FIG. 6 is a bottom plan view thereof;
FIG. 7 is a right side elevation view thereof;
FIG. 8 is a left side elevation view thereof; and,
FIG. 9 is an enlarged cross sectional view taken along line 9-9 of FIG. 3; and,
FIG. 10 is an enlarged cross sectional view taken along line 10-10 of FIG. 5.

- (56) **References Cited**
U.S. PATENT DOCUMENTS
D380,880 S * 7/1997 Reid D30/118
D388,560 S * 12/1997 Savicki D30/118
6,615,765 B1 * 9/2003 Thomas A01K 1/0107
119/161
7,096,823 B1 * 8/2006 Smeltzer A01K 1/0114
119/161
7,568,448 B2 * 8/2009 Yamamoto A01K 1/0114
119/166
D652,587 S * 1/2012 Matsuo D30/161

1 Claim, 10 Drawing Sheets



(56)

References Cited

FOREIGN PATENT DOCUMENTS

JP	1295093 S	2/2007
JP	1307813 S	8/2007
JP	1348259 S	1/2009
JP	1370075 S	9/2009
JP	1379780 S	2/2010
JP	1408322 S	2/2011
JP	1420539 S	8/2011
JP	1420540 S	8/2011
JP	1420541 S	8/2011
JP	1423728 S	9/2011
JP	1436193 S	3/2012
JP	1491356 S	3/2014
JP	1528899 S	7/2015
JP	1531270 S	8/2015
JP	1537340 S	11/2015

* cited by examiner

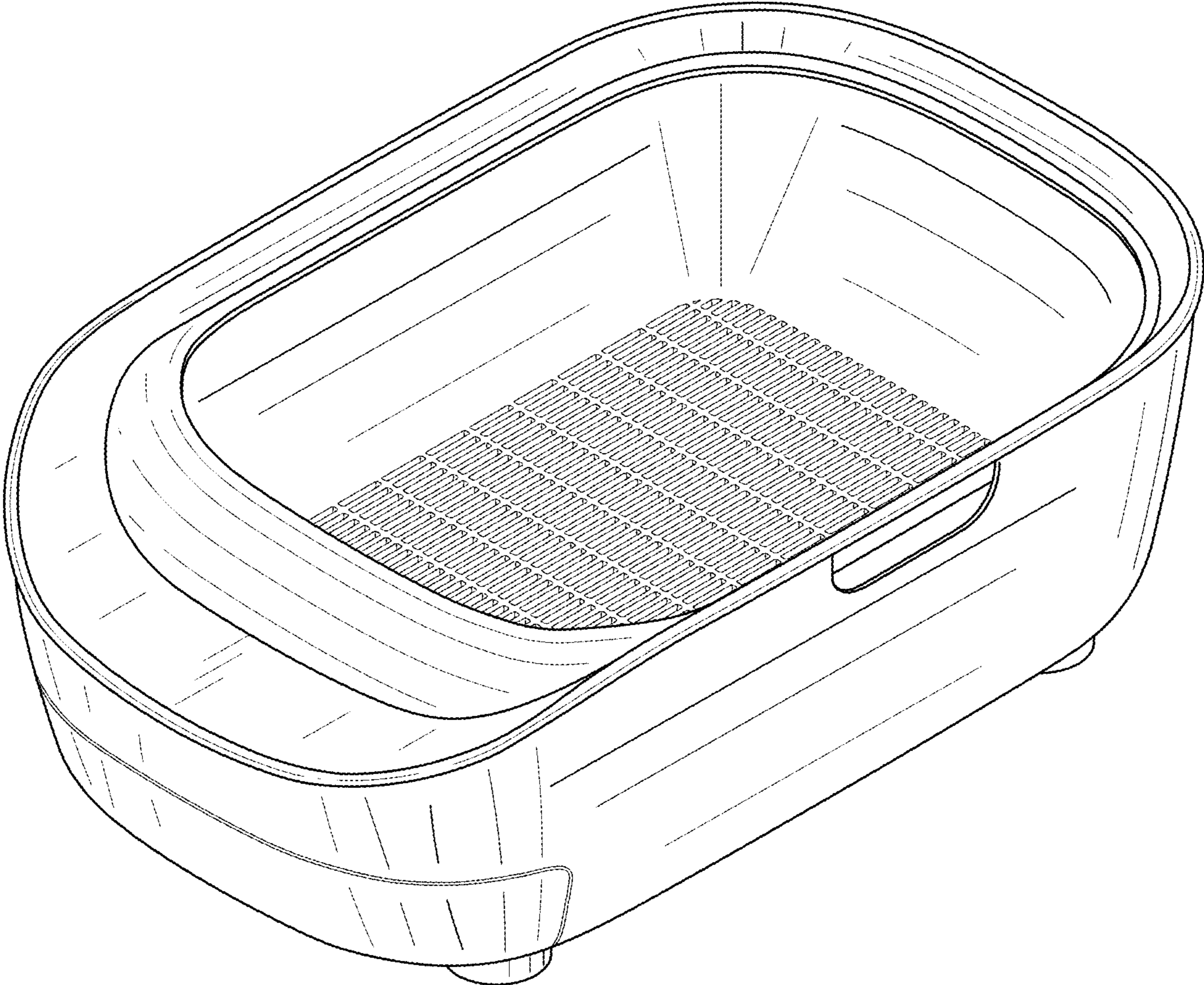


Fig. 1

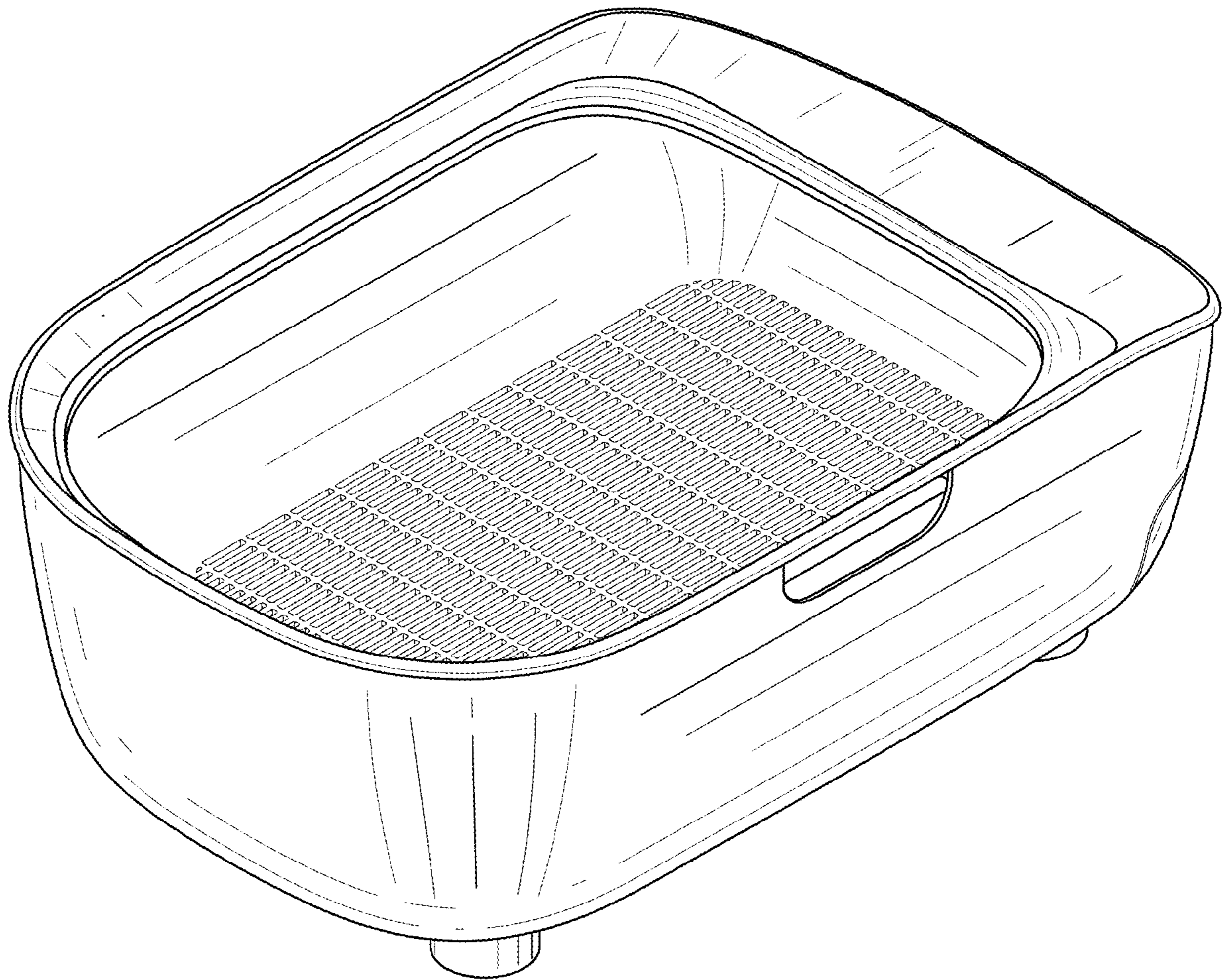


Fig. 2

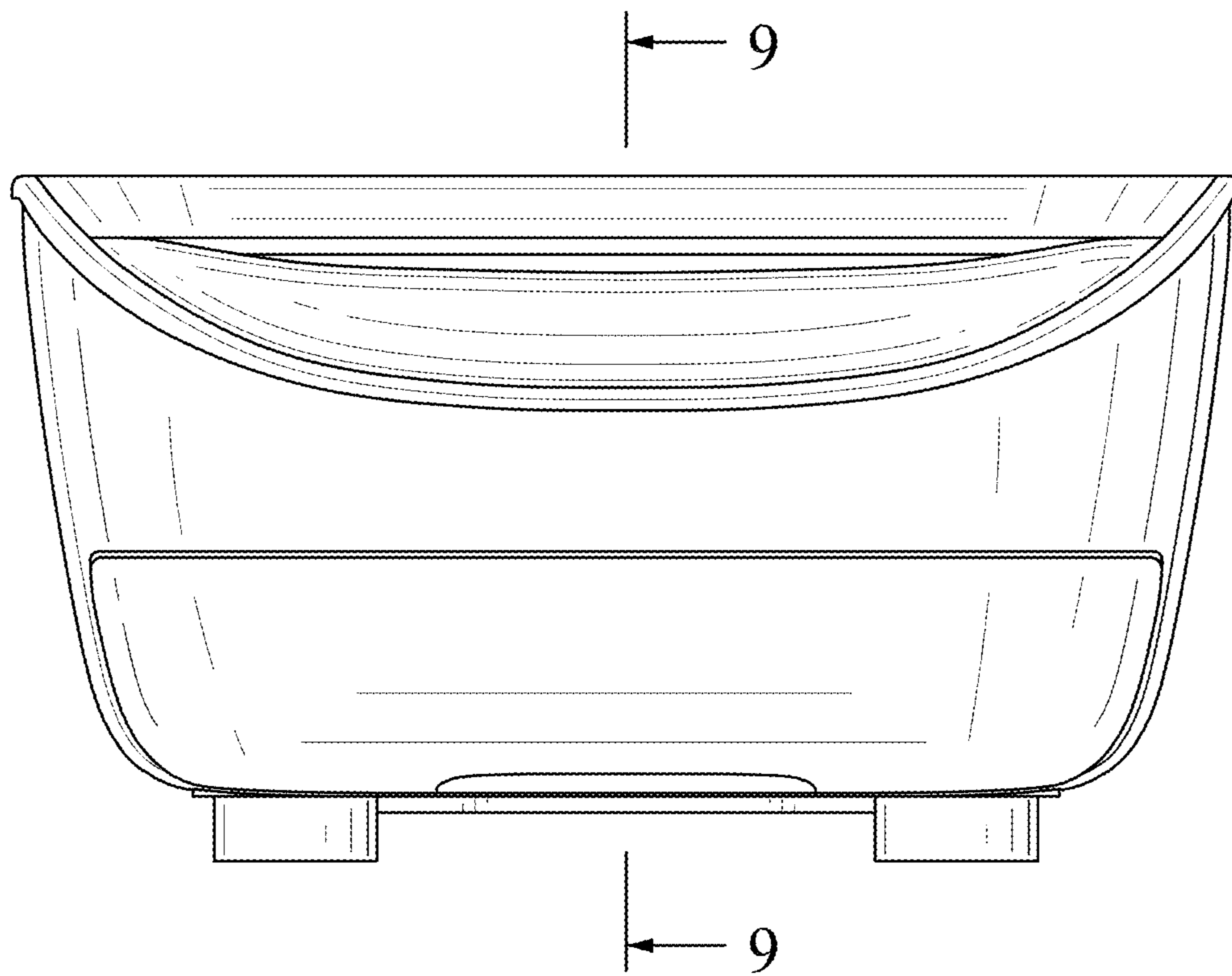


Fig. 3

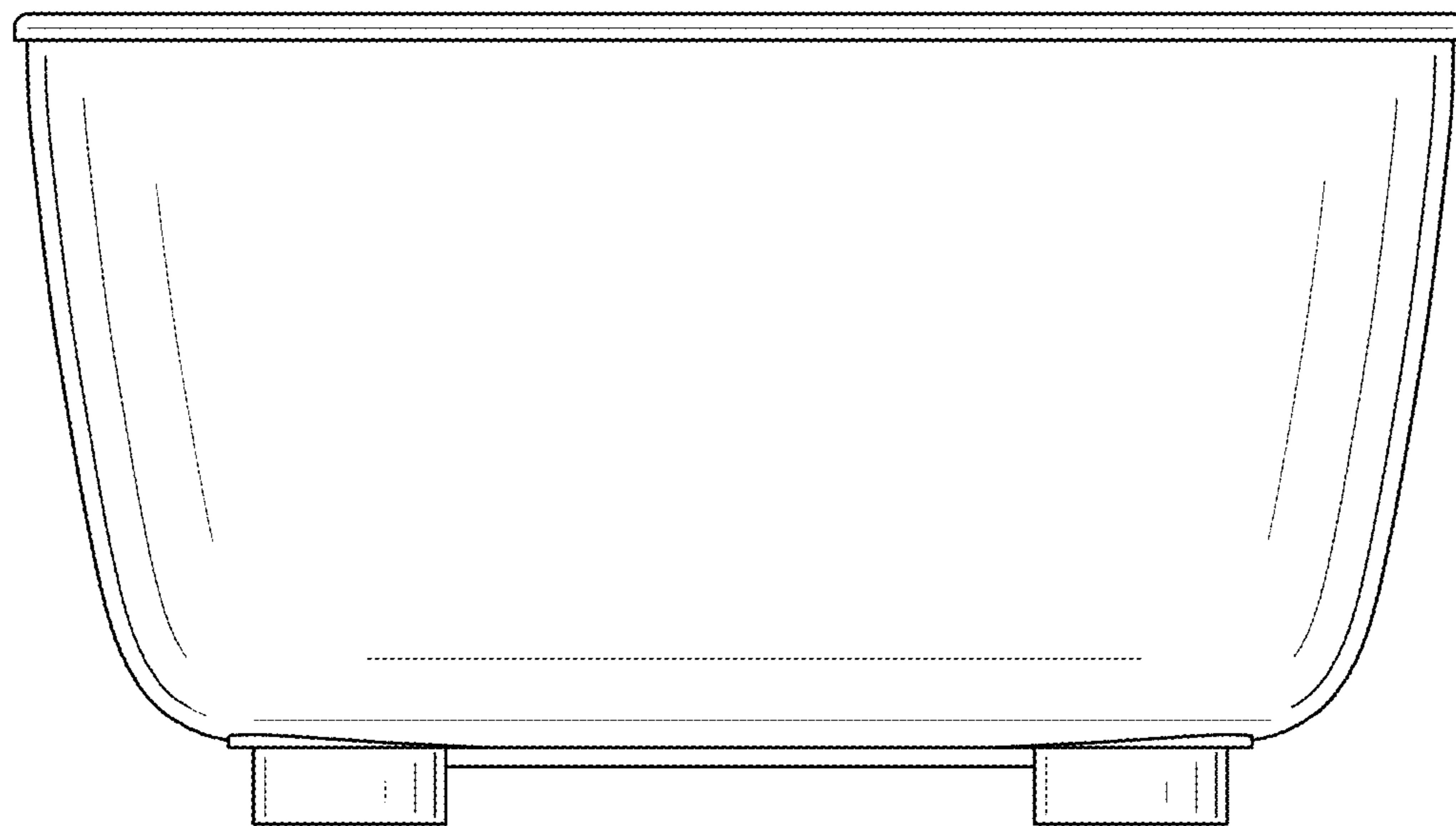


Fig. 4

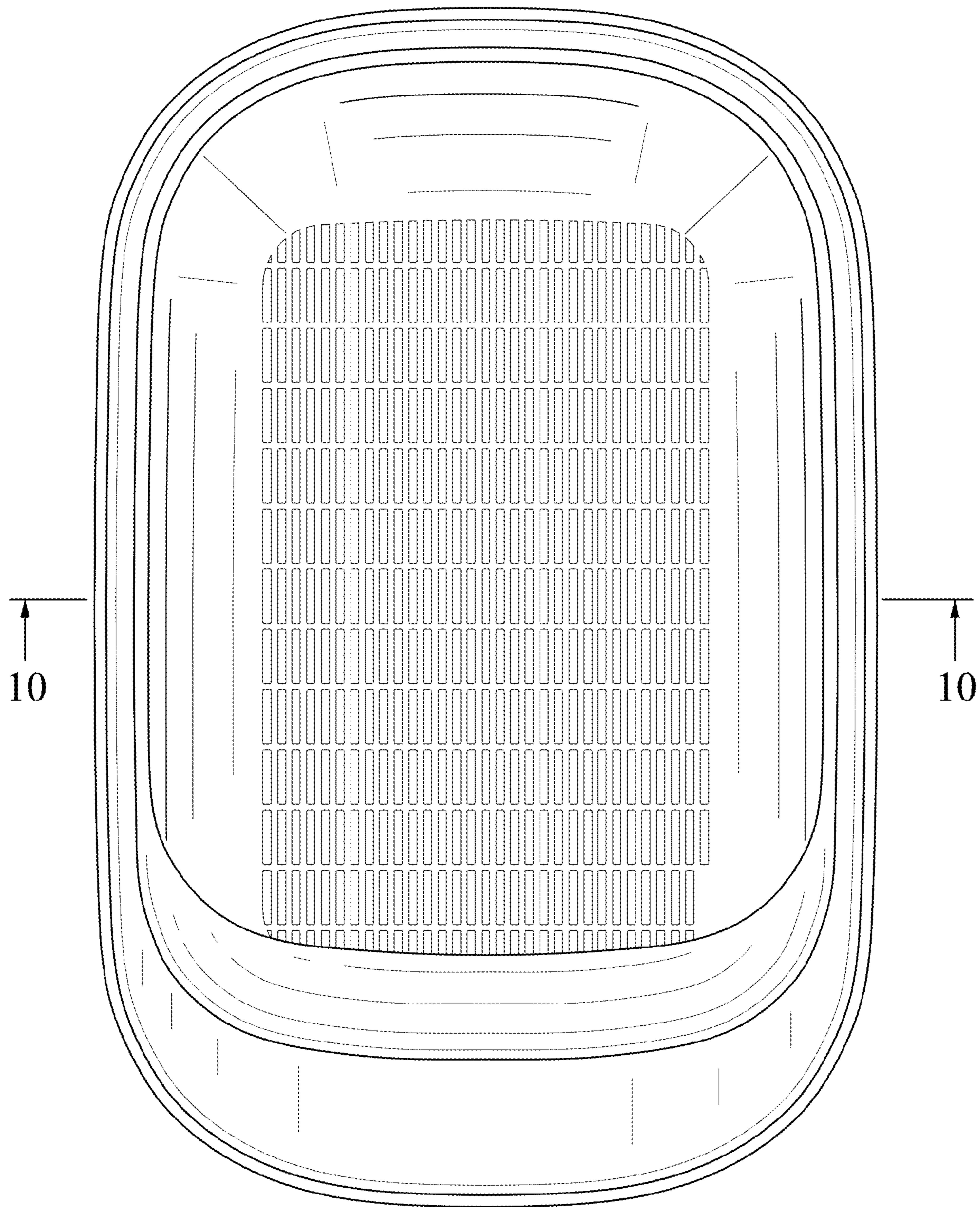


Fig. 5

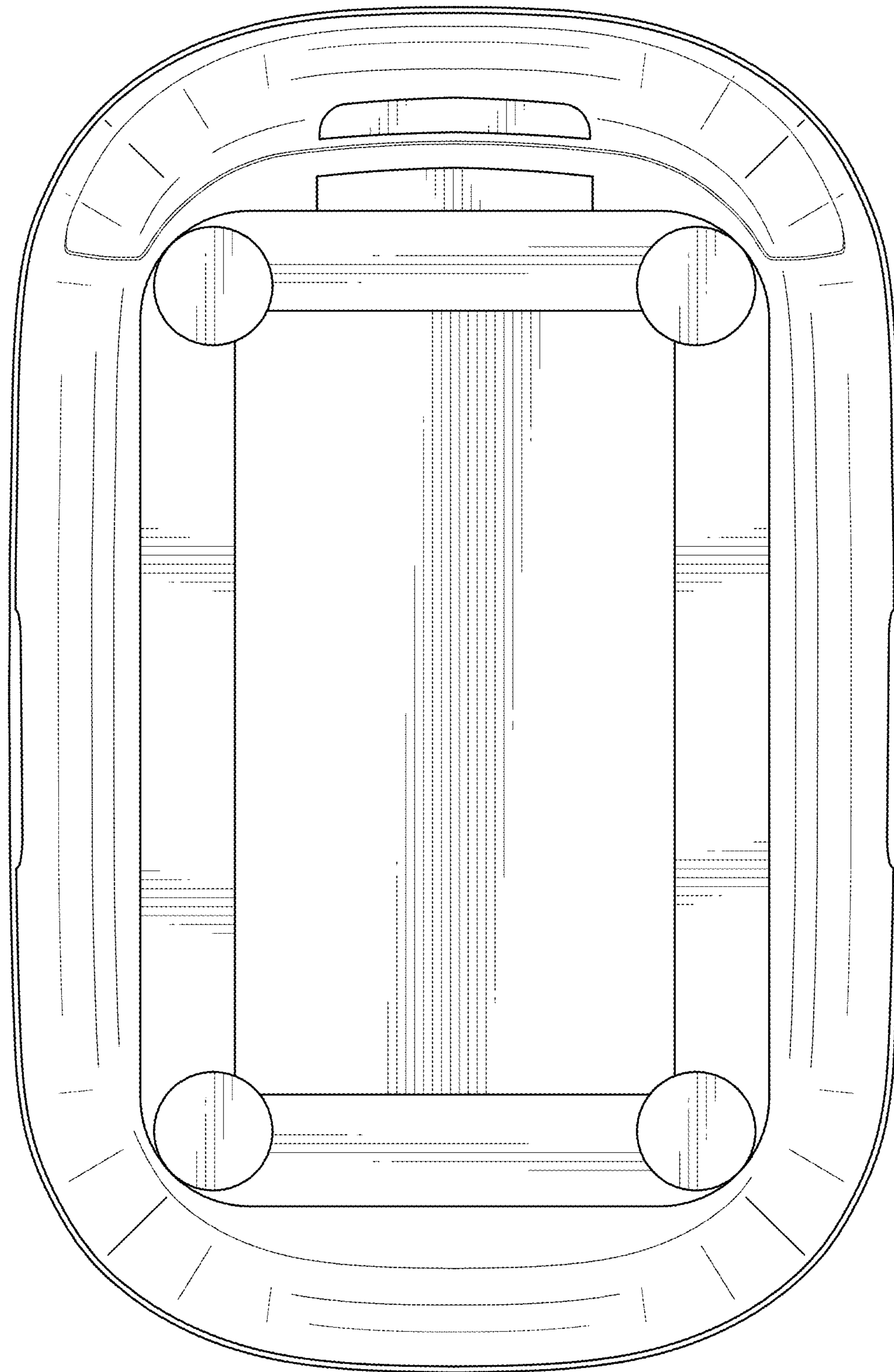


Fig. 6

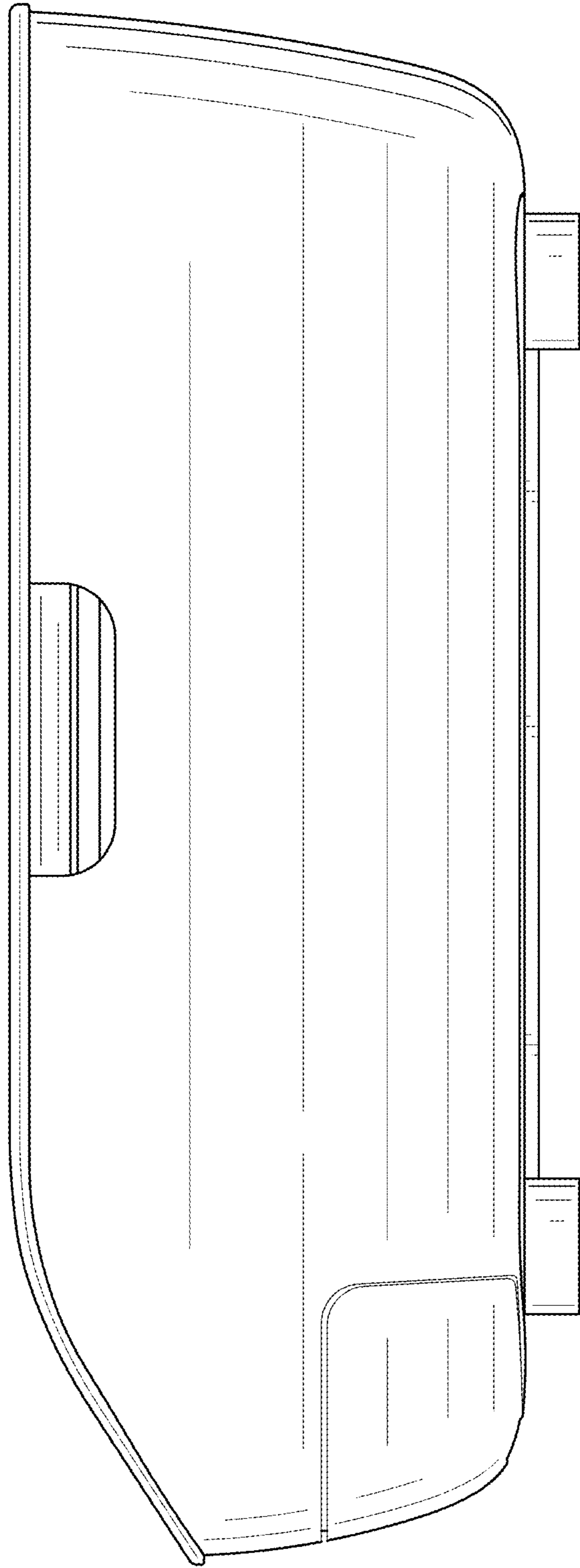


Fig. 7

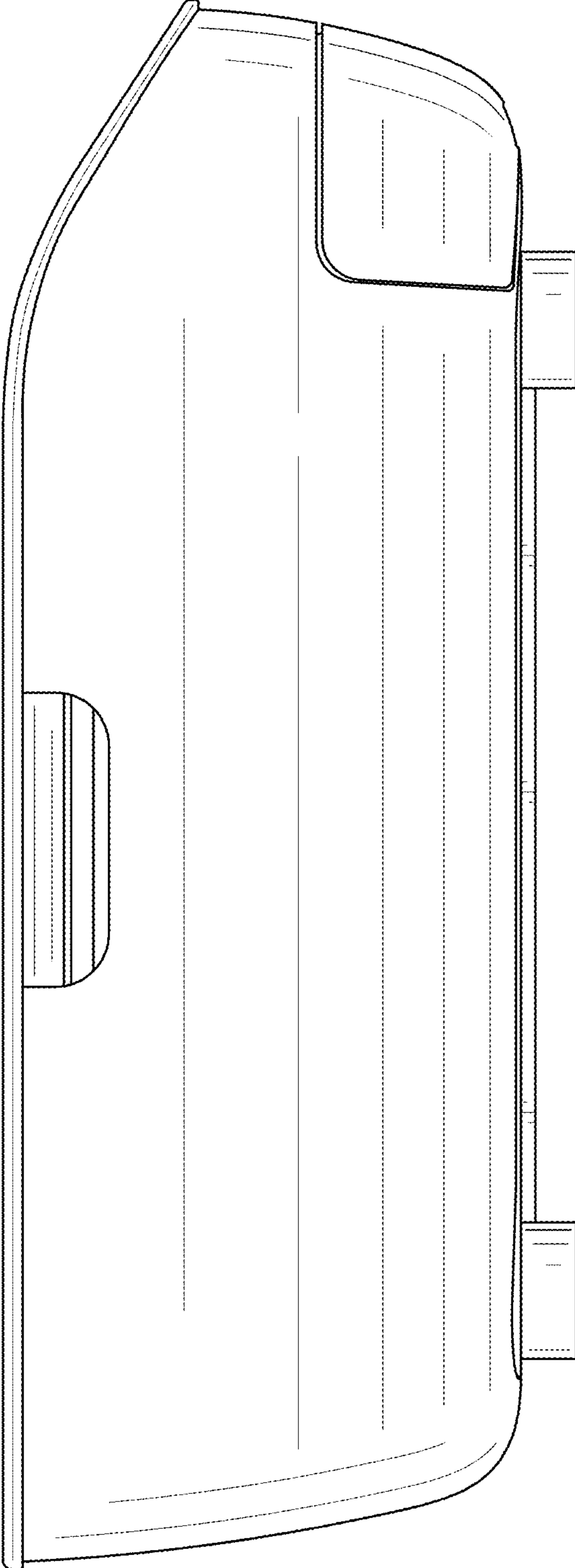


Fig. 8

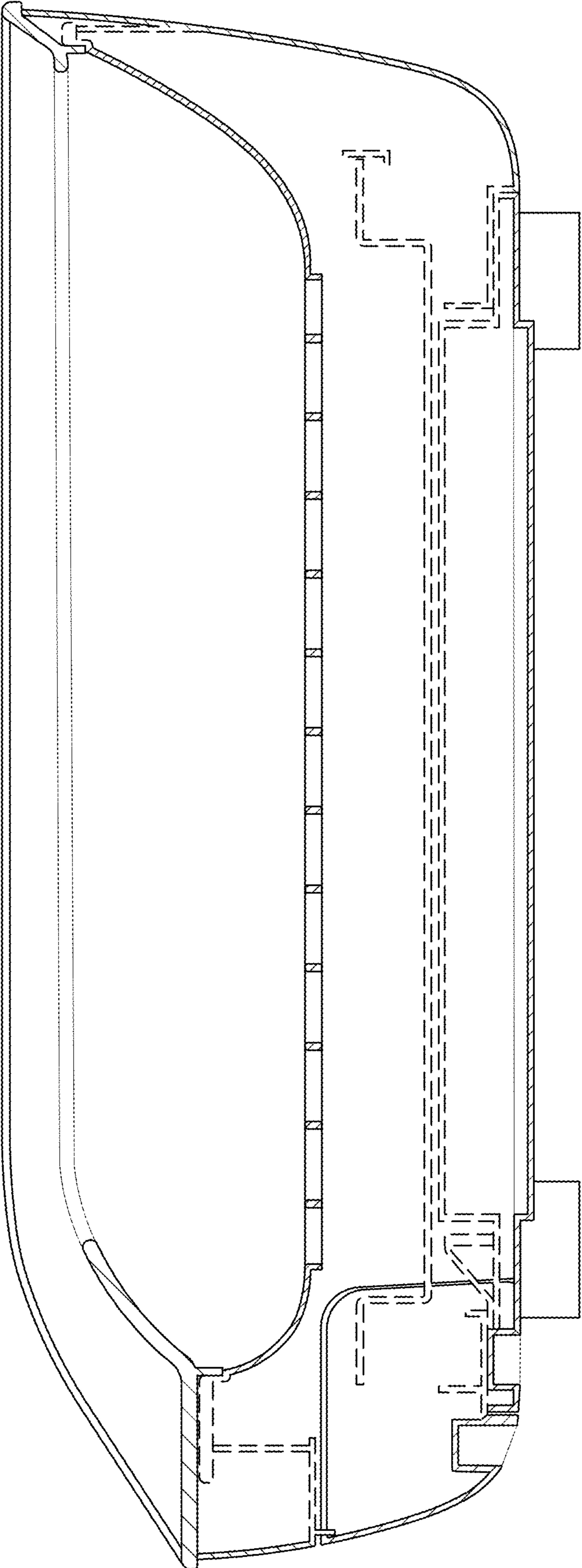


Fig. 9

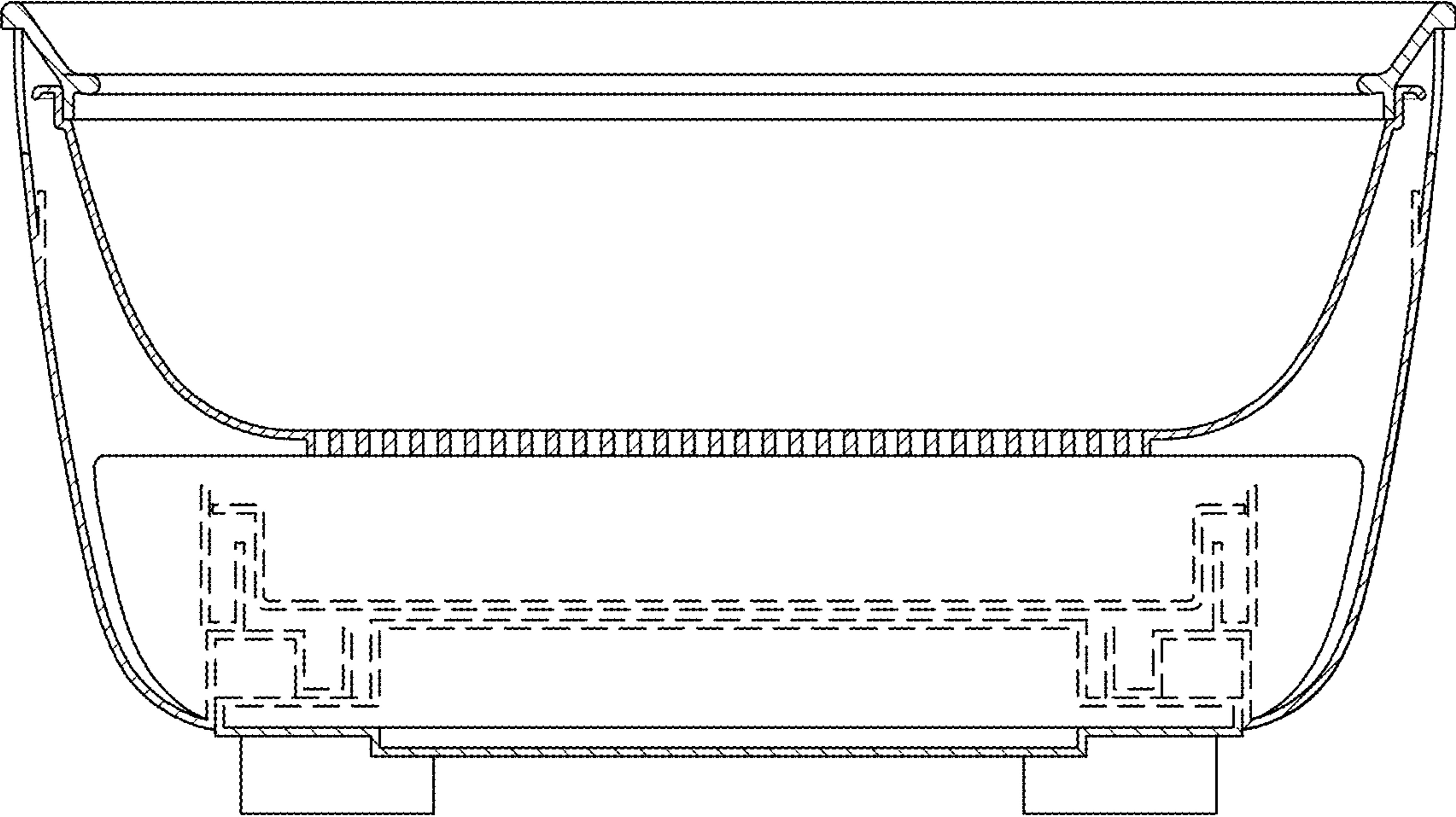


Fig. 10