



US00D891714S

(12) **United States Design Patent**
Zhao

(10) **Patent No.:** **US D891,714 S**
(45) **Date of Patent:** **** Jul. 28, 2020**

(54) **TOY FOR PET**

(71) Applicant: **SHENZHEN YAFEITE**
ELECTRICAL CO., LTD., Shenzhen
OT (CN)

(72) Inventor: **Xiaogang Zhao**, Guangdong (CN)

(**) Term: **15 Years**

(21) Appl. No.: **29/674,874**

(22) Filed: **Dec. 27, 2018**

(51) **LOC (12) Cl.** **30-99**

(52) **U.S. Cl.**
USPC **D30/160**

(58) **Field of Classification Search**
USPC D30/120, 199, 119, 160; D22/125;
D21/406, 408, 467, 694; 119/29, 29.5,
119/702, 707-711, 786-788, 791; 43/2;
446/325, 326, 370, 373, 396, 391, 486
CPC A01K 15/024; A01K 15/025
See application file for complete search history.

(56) **References Cited**

U.S. PATENT DOCUMENTS

- 2,698,598 A * 1/1955 Hadley A01K 15/025
119/708
- 4,517,922 A * 5/1985 Lind A01K 15/025
119/708
- D328,573 S * 8/1992 Berry D11/131
- 5,148,769 A * 9/1992 Zelinger A01K 15/025
119/708
- 5,322,036 A * 6/1994 Merino 15/4
- 5,901,667 A * 5/1999 Kallas A01K 15/025
119/712
- 5,924,387 A * 7/1999 Schramer A01K 15/025
119/708
- 6,016,771 A * 1/2000 Baiera A01K 15/025
119/707
- 6,743,072 B2 * 6/2004 Nelson G09F 19/02
119/707

- D512,762 S * 12/2005 Comerford D22/125
- D555,300 S * 11/2007 Tsengas D30/160
- D721,212 S * 1/2015 Paculdo D30/160
- D765,799 S * 9/2016 Lui D21/656
- D848,652 S * 5/2019 Davila D26/47
- 10,378,274 B2 * 8/2019 Langstroth A01K 15/02
- 2019/0343077 A1 * 11/2019 Boshears A01K 15/025

OTHER PUBLICATIONS

“Spring Cat Toy sisal”, posted Nov. 7, 2019 [online], [retrieved Nov. 25, 2019]. Retrieved from internet, https://www.amazon.ca/Sisal-Spring-Mouse-Funny-Catching/dp/B0814QN3ZC/ref=pd_rhf_se_p_img_1?_encoding=UTF8&psc=1&refRID=3SJBS45EZ160Y3PZZQ5F.*

“Spring Cat Toy”, posted date unavailable [online], [retrieved Nov. 25, 2019]. Retrieved from internet, <https://www.therange.co.uk/pets/cats/cat-toys/spring-cat-toy-assorted-design/#795732>.*

* cited by examiner

Primary Examiner — Sandra S Snapp
Assistant Examiner — Mehri F Bajoul
(74) *Attorney, Agent, or Firm* — W&K IP

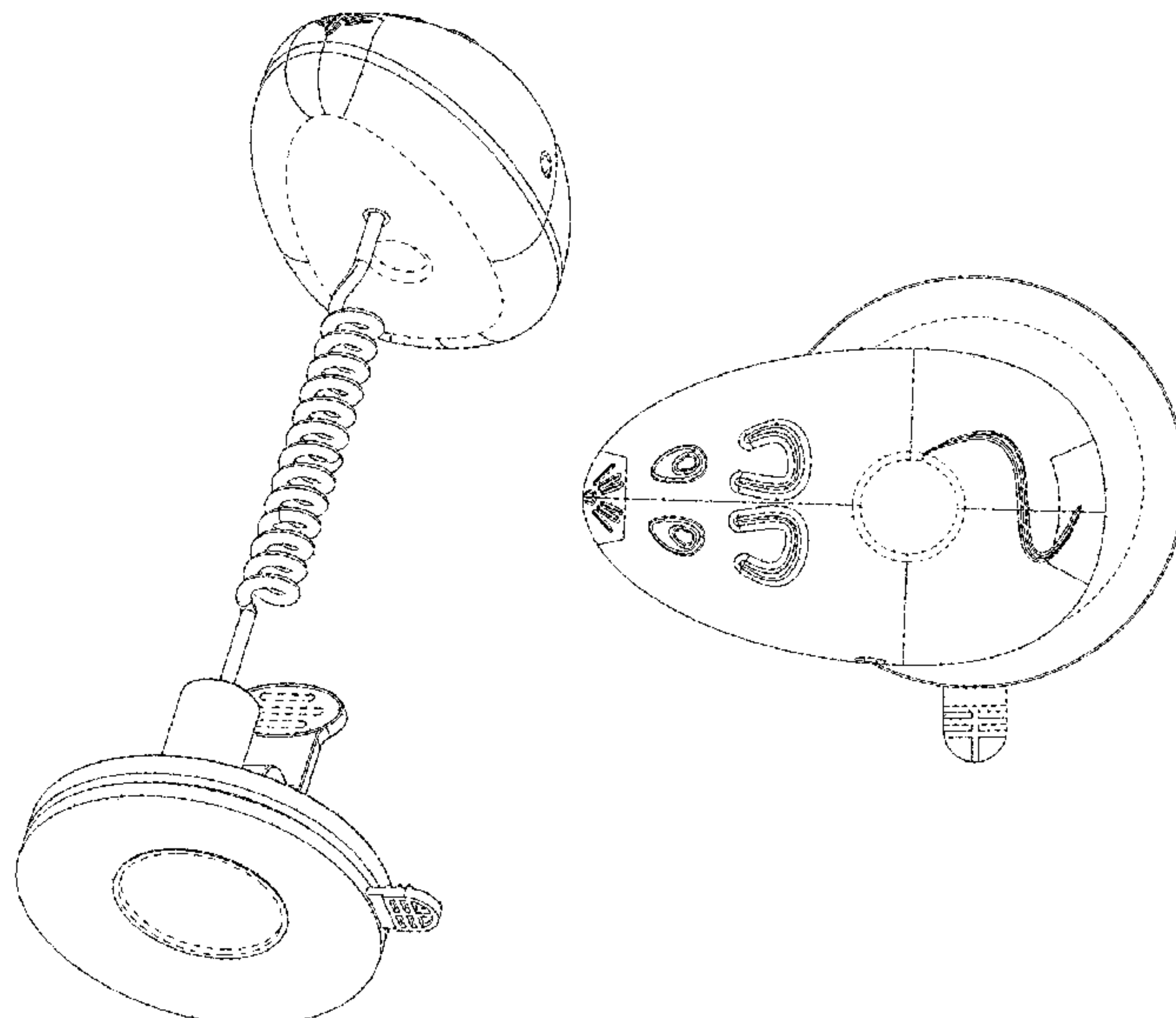
(57) **CLAIM**

The ornamental design for a toy for pet, as shown and described.

DESCRIPTION

FIG. 1 is a perspective view of a toy for pet showing my new design;
FIG. 2 is a front elevational view thereof;
FIG. 3 is a rear elevational view thereof;
FIG. 4 is a left side view thereof;
FIG. 5 is a right side view thereof;
FIG. 6 is a top plan view thereof; and,
FIG. 7 is a bottom plan view thereof.
In the drawings, the broken lines depict portions of the toy for pet and from no part of the claimed design.

1 Claim, 6 Drawing Sheets



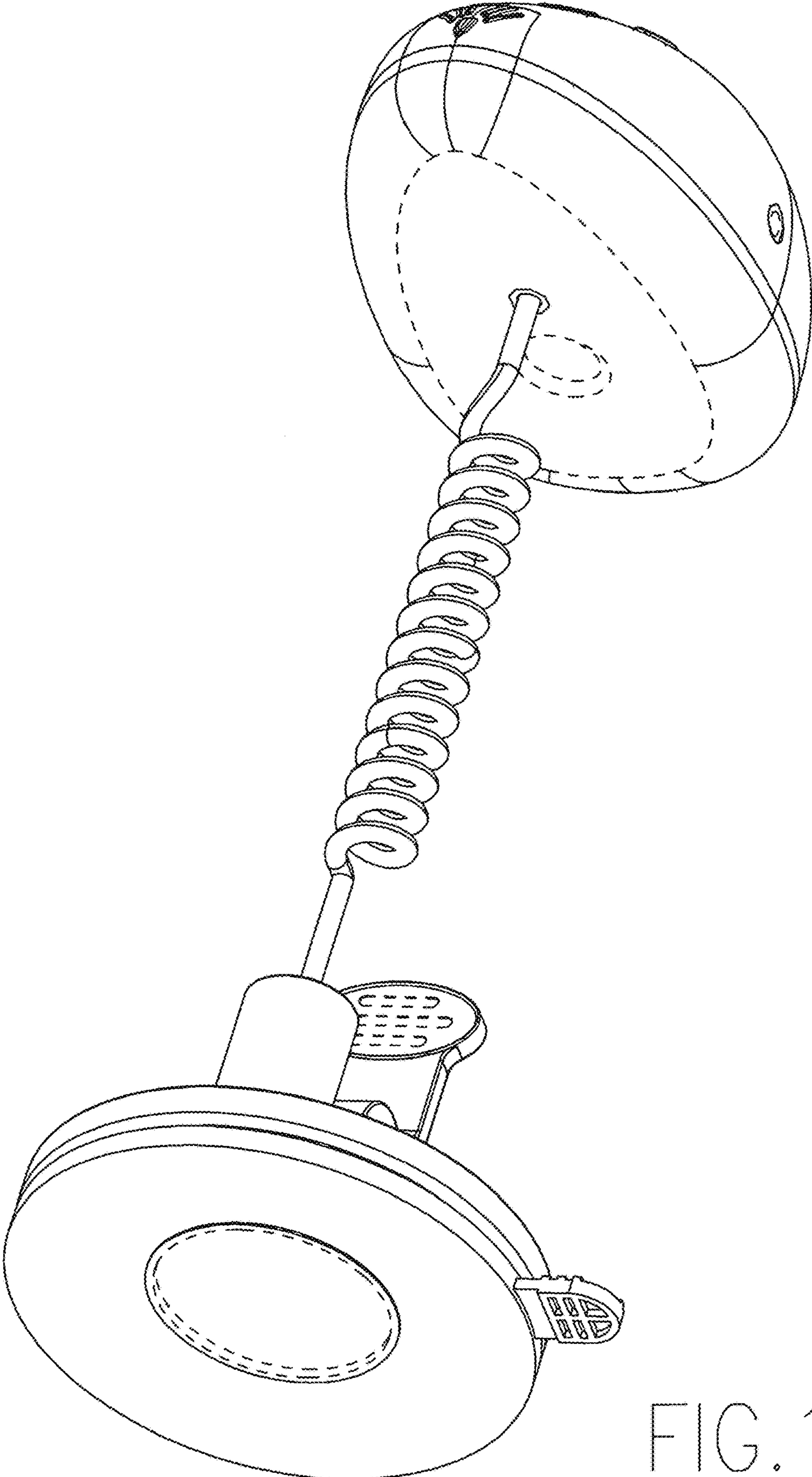
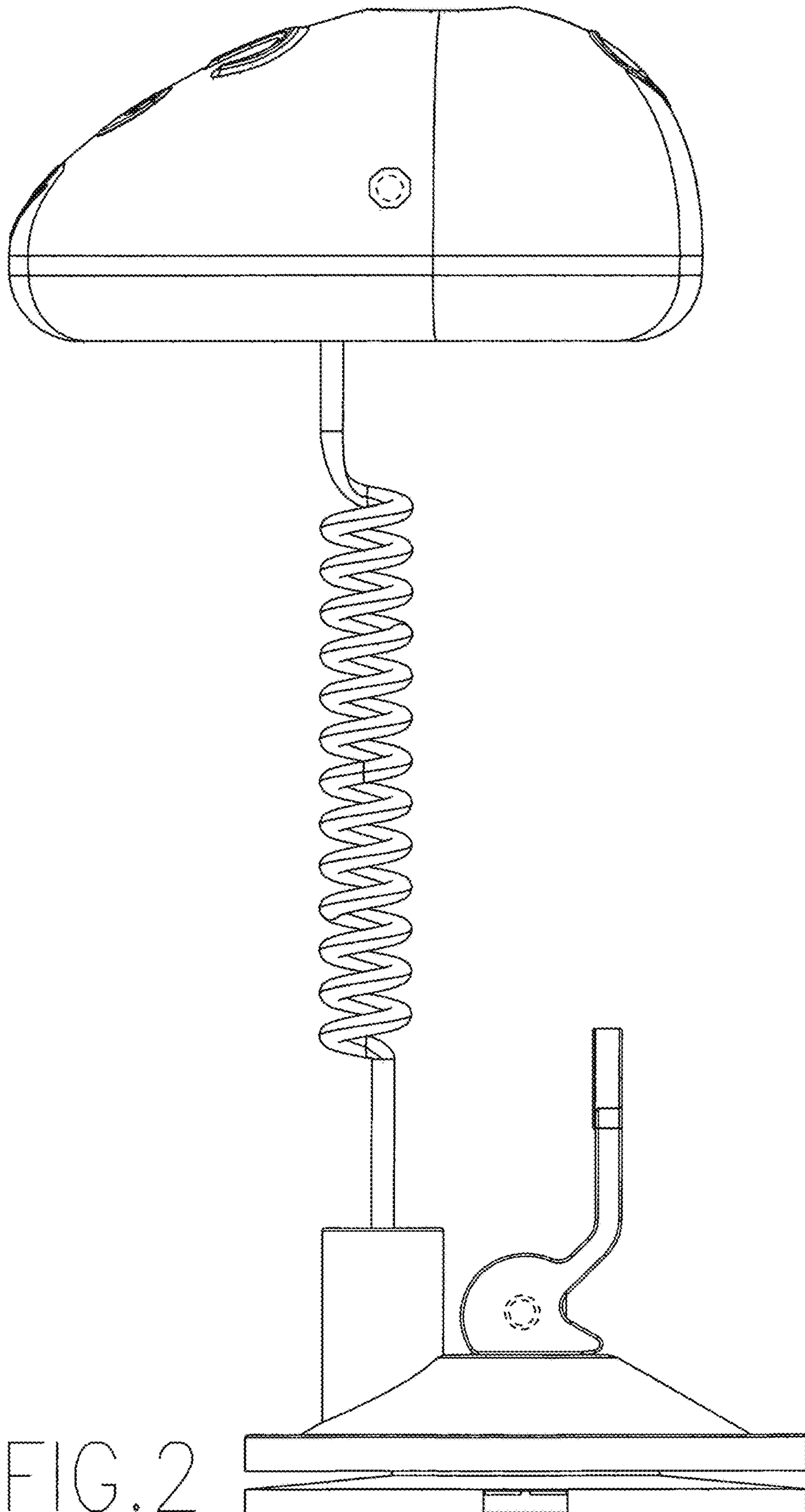


FIG. 1



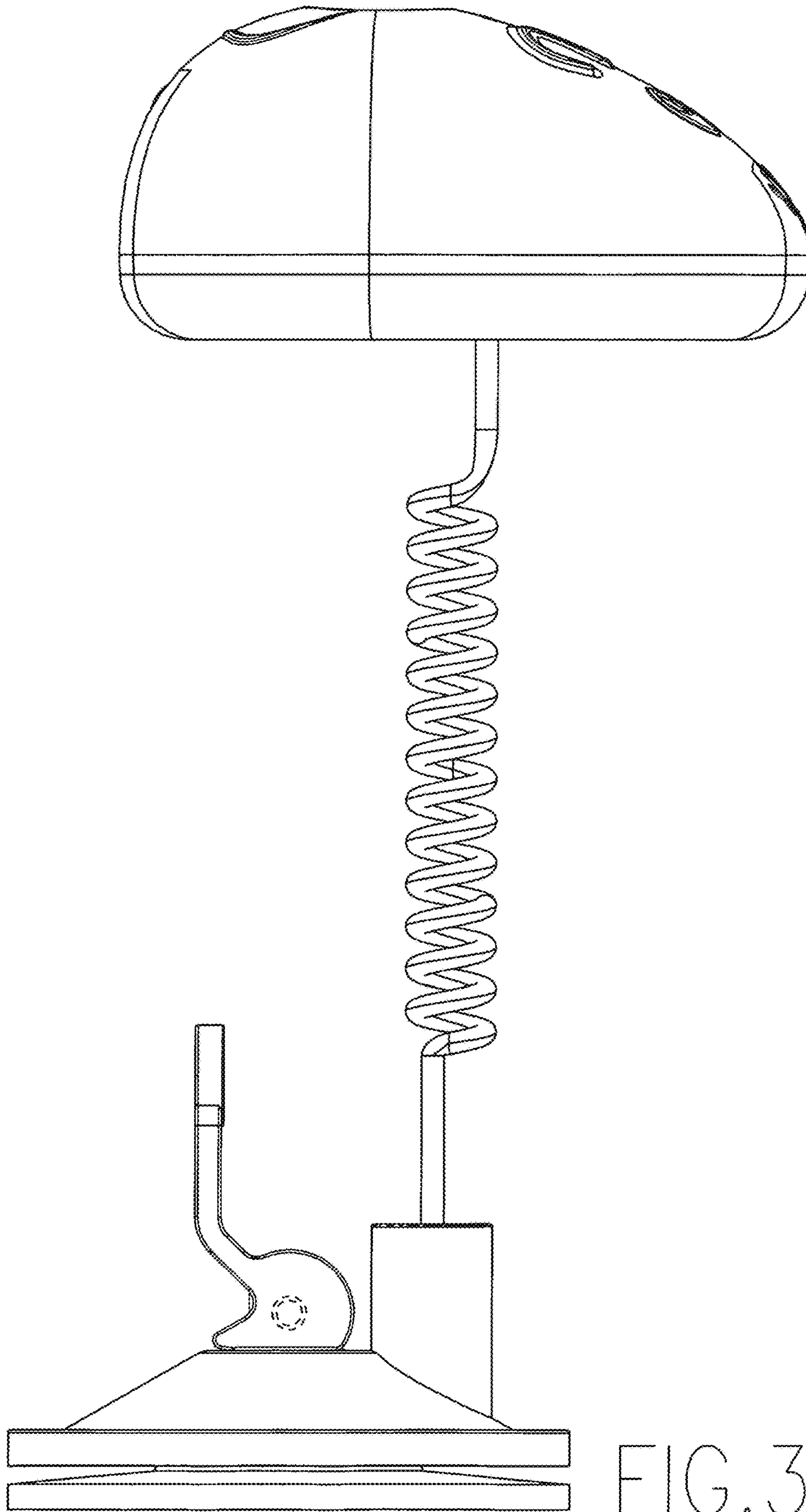


FIG. 3

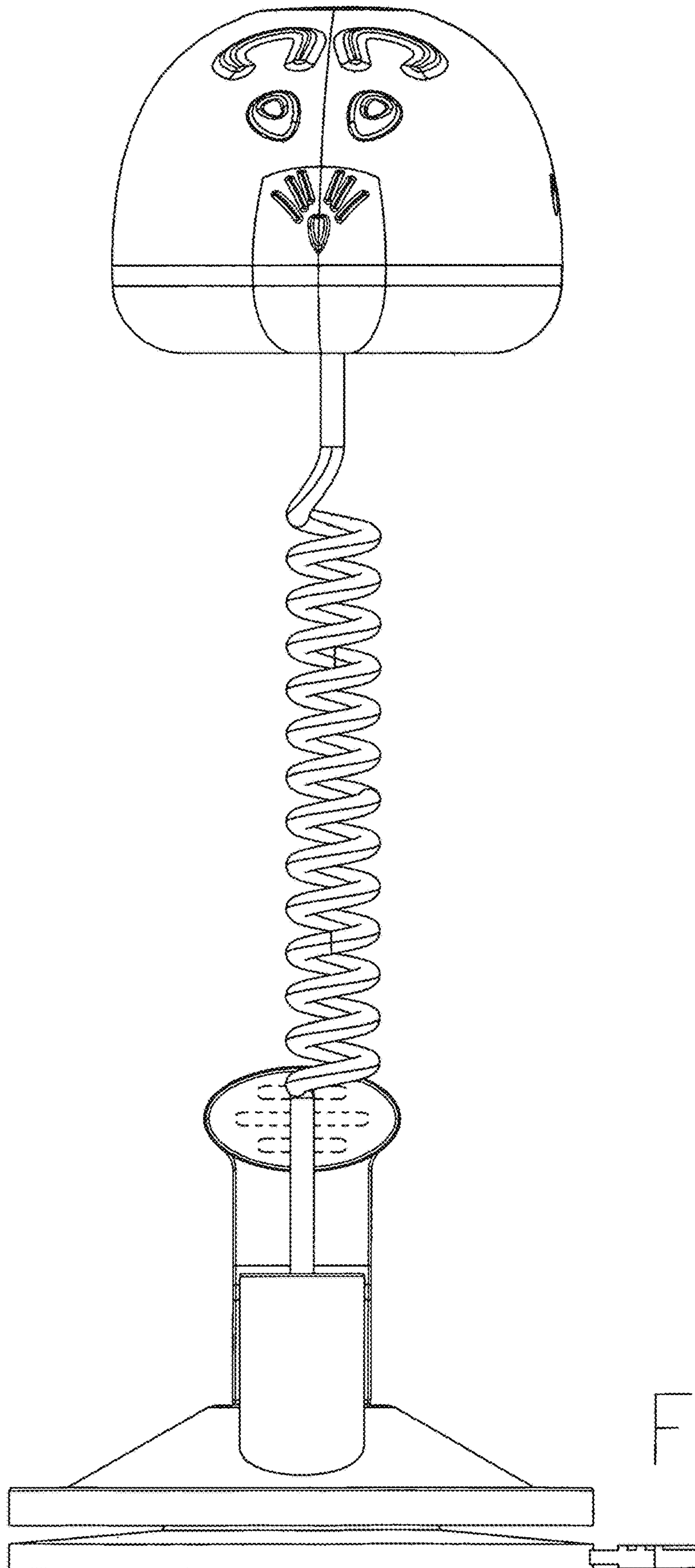


FIG. 4

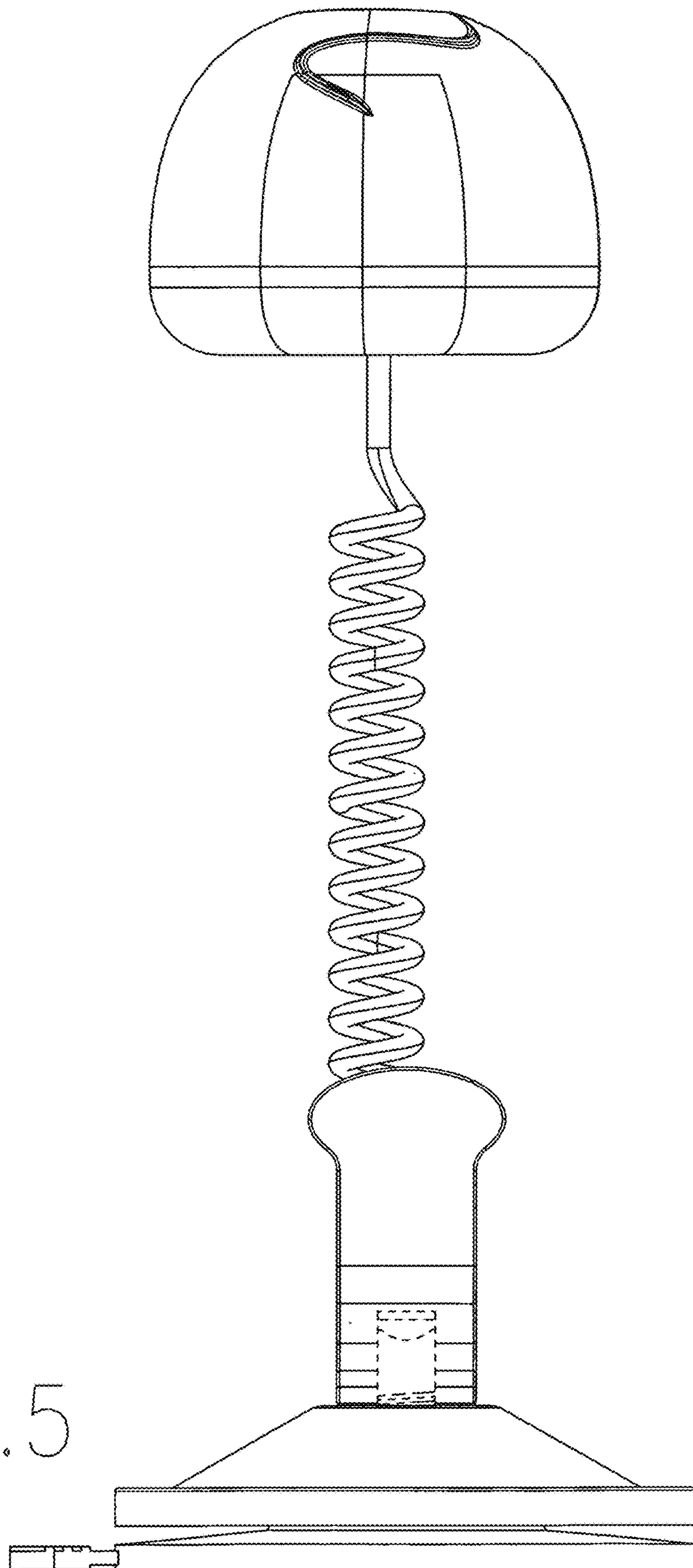


FIG. 5

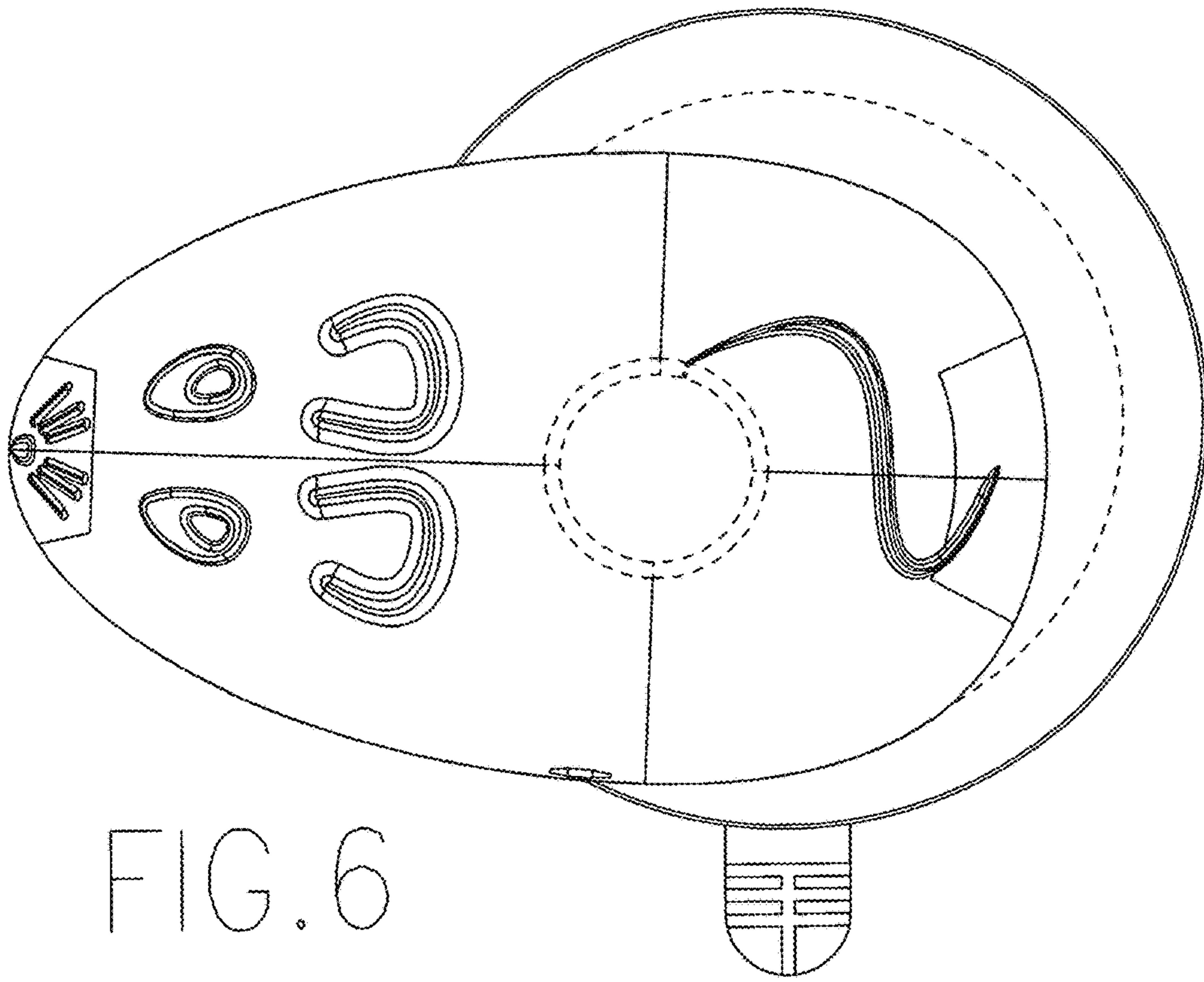


FIG. 6

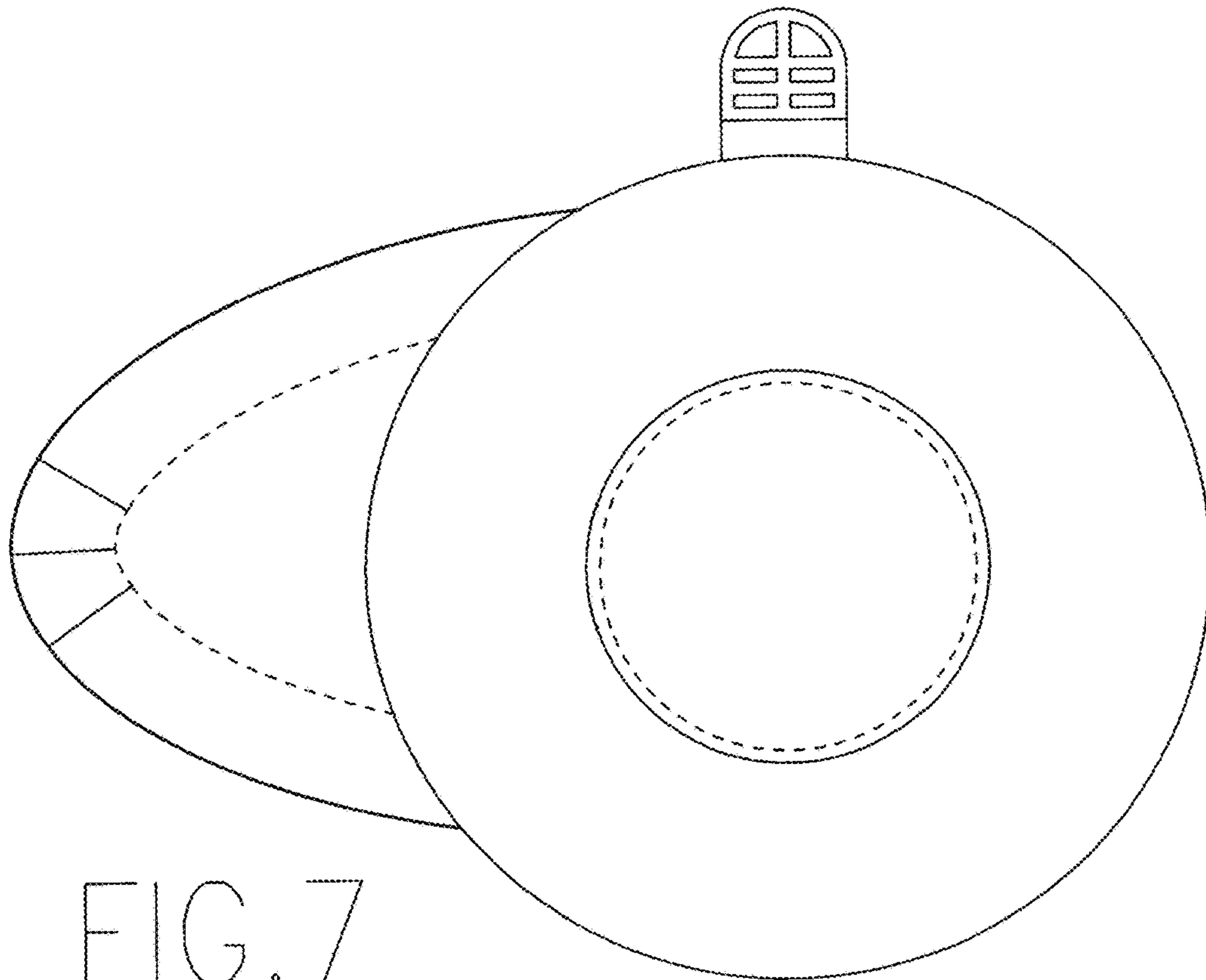


FIG. 7