



US00D891712S

(12) **United States Design Patent** (10) **Patent No.:** **US D891,712 S**  
**He** (45) **Date of Patent:** **\*\* Jul. 28, 2020**

(54) **CAT TREE** D261,186 S \* 10/1981 Michalski ..... D30/158  
D364,489 S \* 11/1995 Cook ..... D30/108  
(71) Applicant: **HANGZHOU PETSBELLE** 5,465,682 A \* 11/1995 Chavallo, Jr. .... A01K 1/033  
**PRODUCT CO., LTD.,** Zhejiang (CN) 119/498  
D397,832 S \* 9/1998 Allen ..... D30/108  
(72) Inventor: **Haijiao He,** Zhejiang (CN) D422,754 S \* 4/2000 Kolozsvari ..... D30/118  
D460,222 S \* 7/2002 DeRaspe-Bolles ..... D30/118  
(73) Assignee: **HANGZHOU PETSBELLE** D473,020 S \* 4/2003 DeRaspe-Bolles ..... D30/118  
**PRODUCT CO., LTD.,** Hangzhou D846,206 S \* 4/2019 He ..... D30/160  
(CN) D846,818 S \* 4/2019 He ..... D30/160  
2011/0155073 A1 \* 6/2011 Kilroy ..... A01K 15/024  
119/247

(\*\*) Term: **15 Years**

\* cited by examiner

(21) Appl. No.: **29/650,133**

*Primary Examiner* — Sheryl Lane

(22) Filed: **Jun. 5, 2018**

*Assistant Examiner* — Aula Soroush

(30) **Foreign Application Priority Data**

(74) *Attorney, Agent, or Firm* — Platinum Intellectual Property LLP

Dec. 5, 2017 (CN) ..... 2017 3 0612180

(51) **LOC (12) Cl.** ..... **30-99**

(57) **CLAIM**

(52) **U.S. Cl.**  
USPC ..... **D30/160**

The ornamental design for a cat tree, as shown.

(58) **Field of Classification Search**  
USPC ..... D30/108–120, 158–161; D3/304  
CPC .... A01K 1/0245; A01K 5/0114; A01K 15/02;  
A01K 15/04  
See application file for complete search history.

**DESCRIPTION**

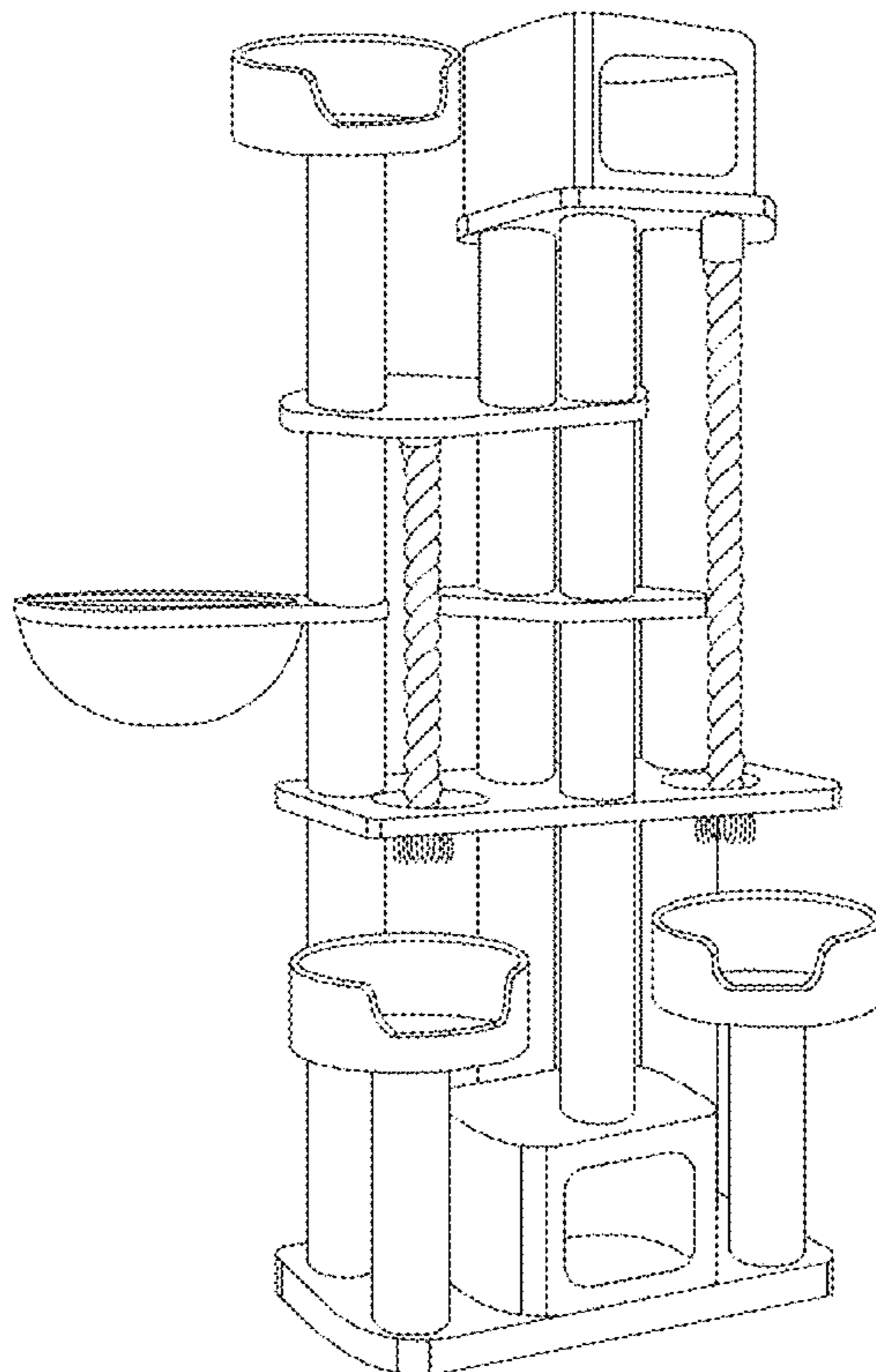
FIG. 1 is a perspective view of a cat tree showing my new design;  
FIG. 2 is a front view thereof;  
FIG. 3 is a rear view thereof;  
FIG. 4 is a left side view thereof;  
FIG. 5 is a right side view thereof; and,  
FIG. 6 is a top view thereof.

(56) **References Cited**

**U.S. PATENT DOCUMENTS**

**1 Claim, 6 Drawing Sheets**

D224,686 S \* 8/1972 Michlap ..... 119/28.5  
D232,036 S \* 7/1974 Willinger ..... 119/452



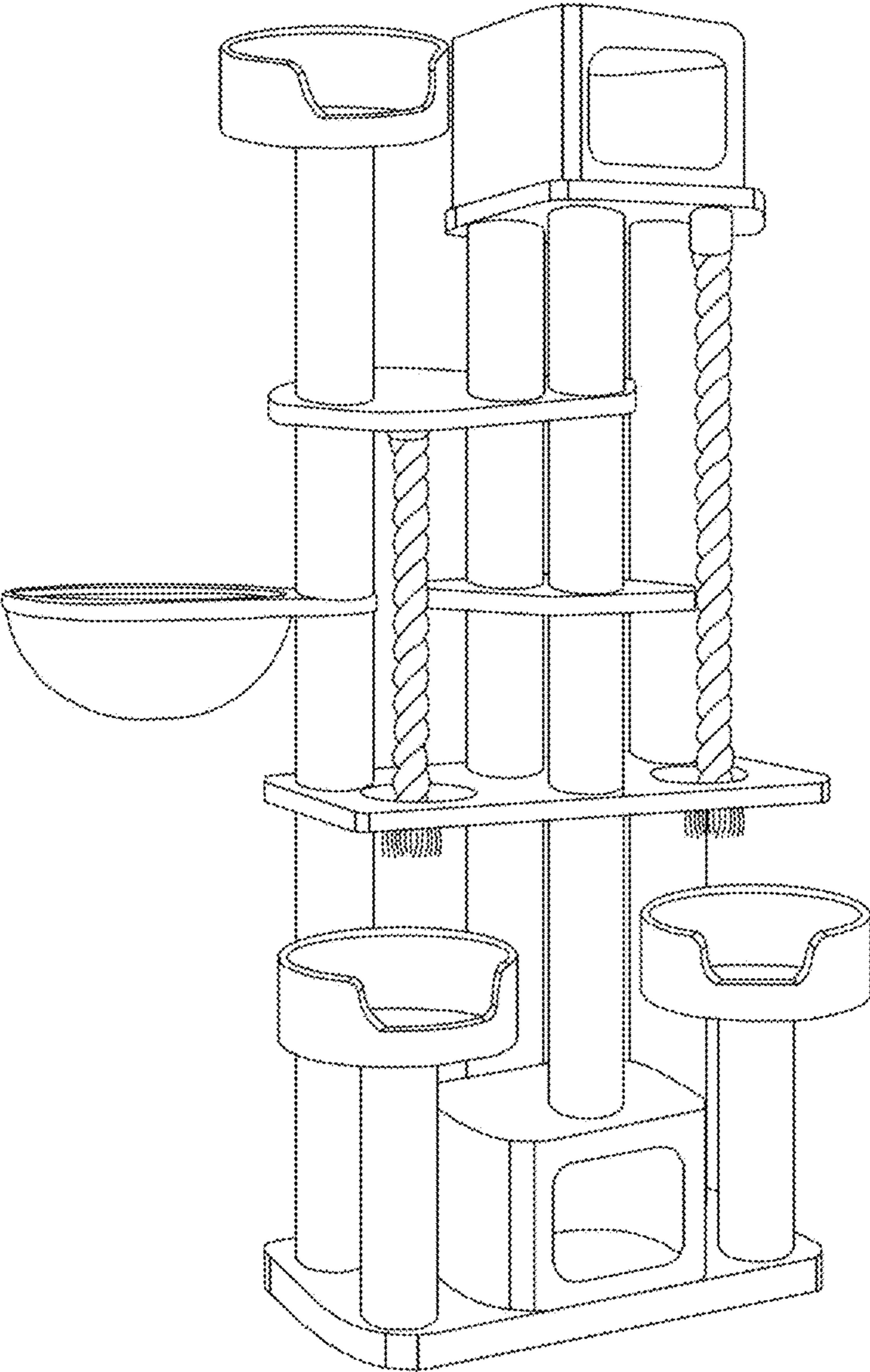


FIG.1

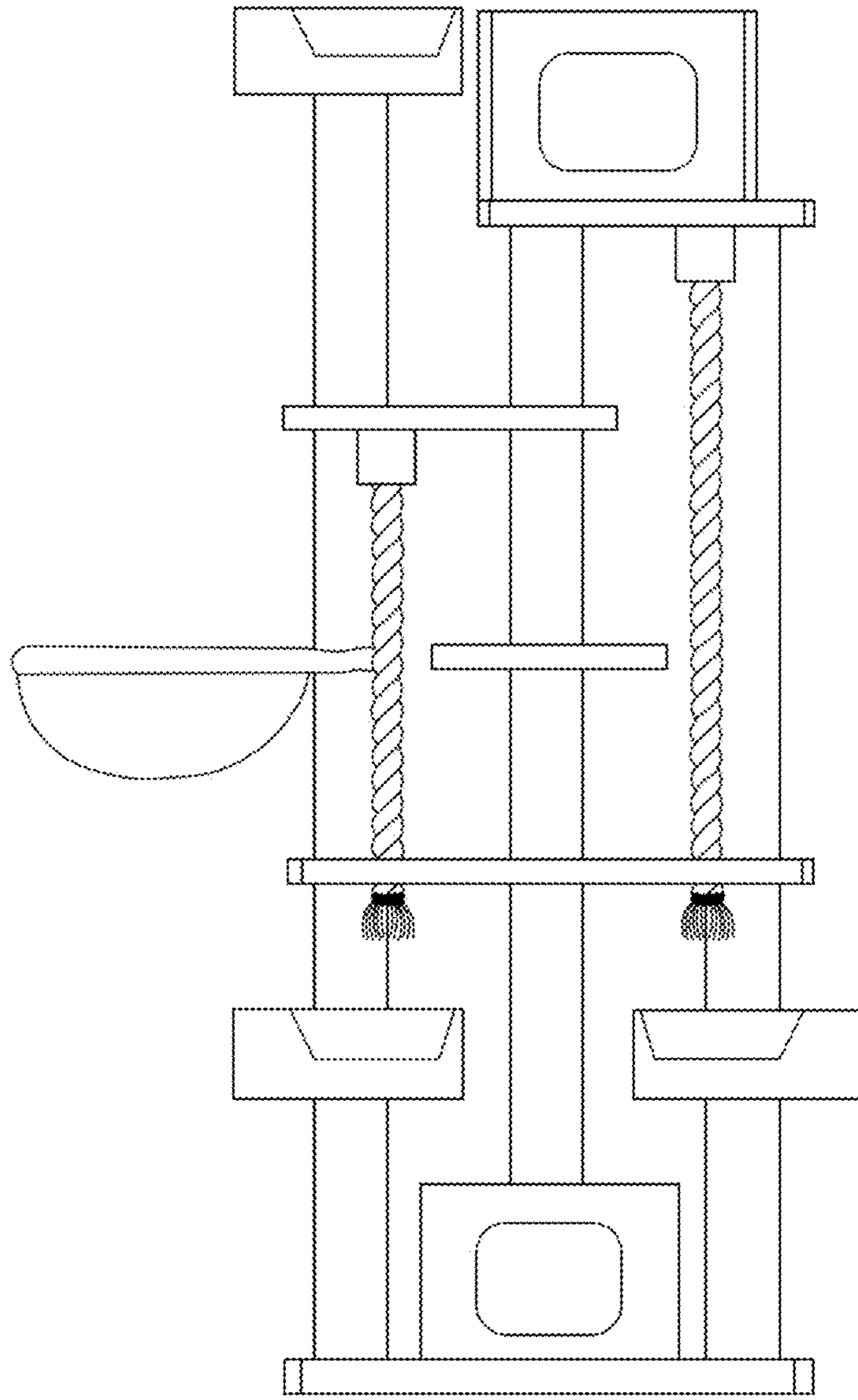
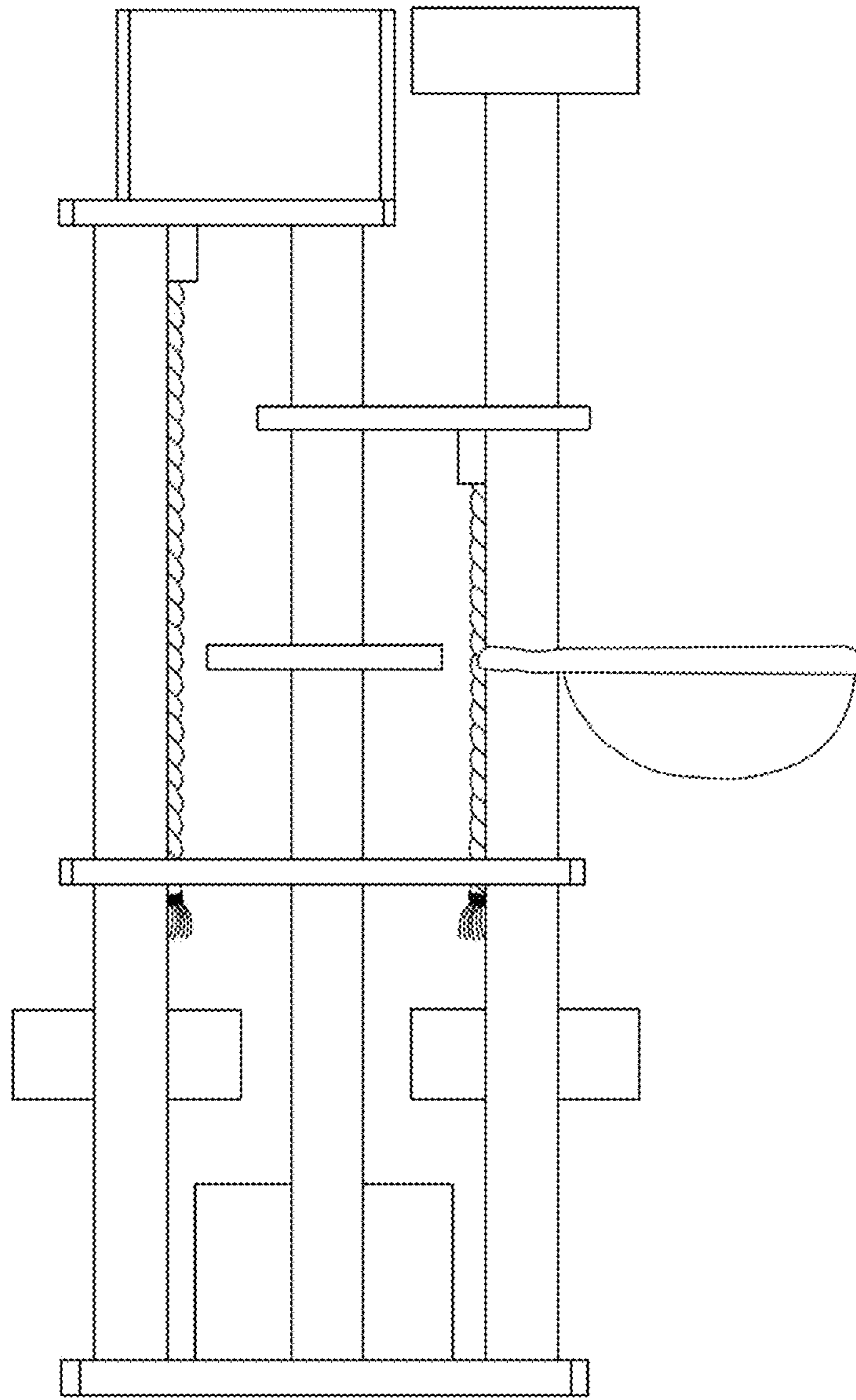
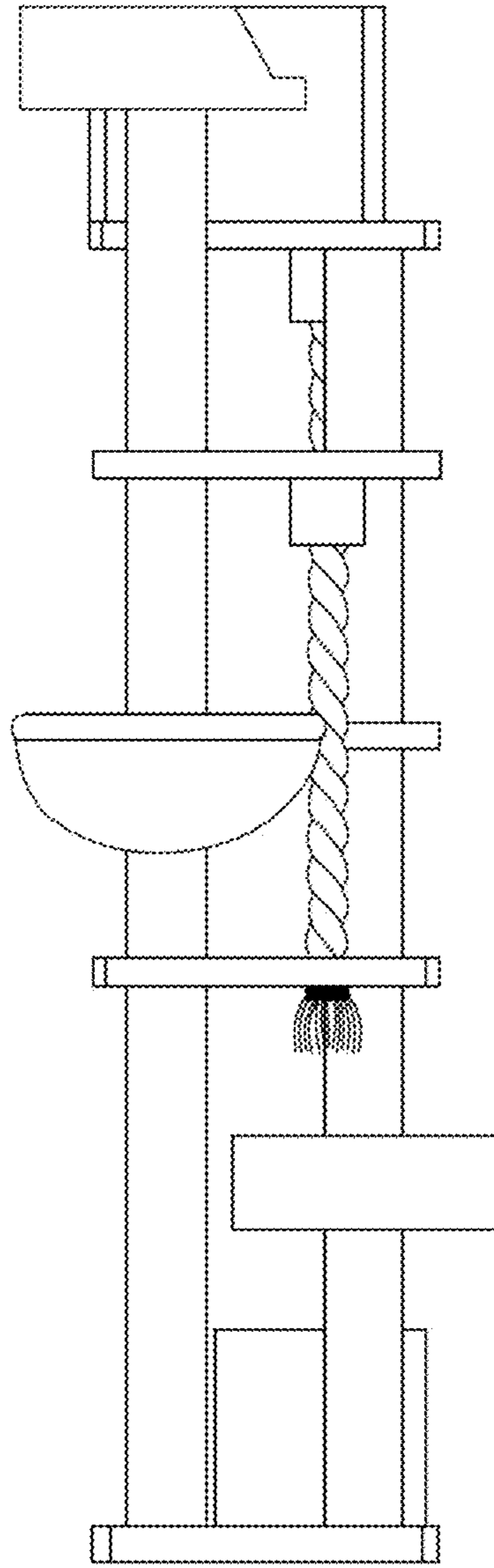


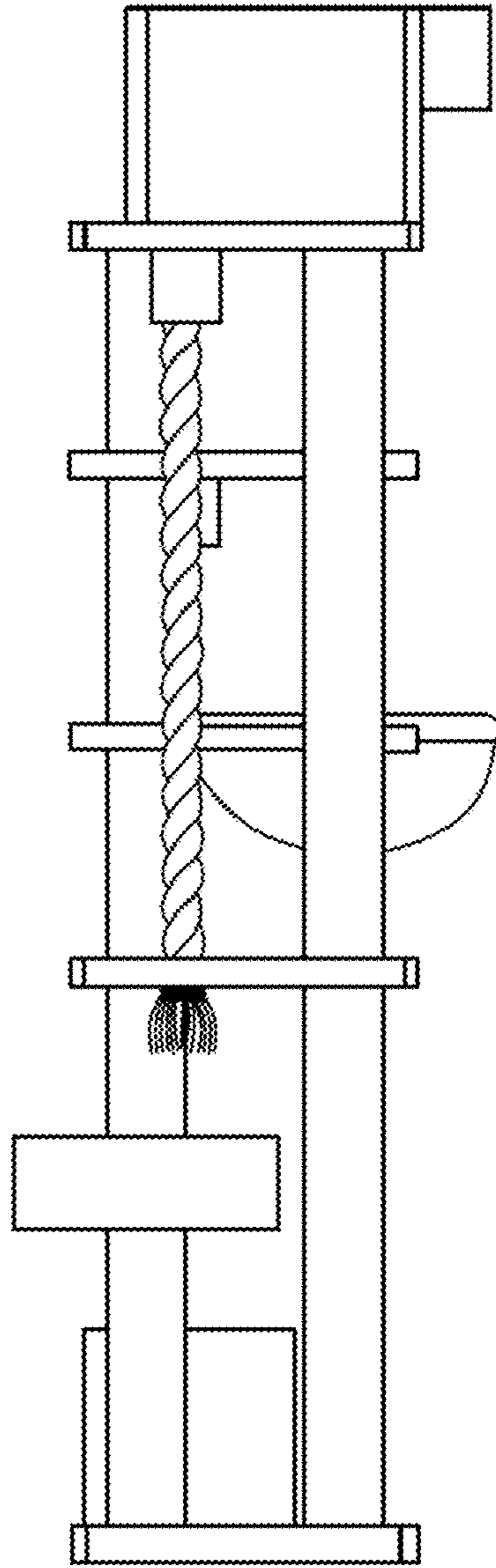
FIG. 2



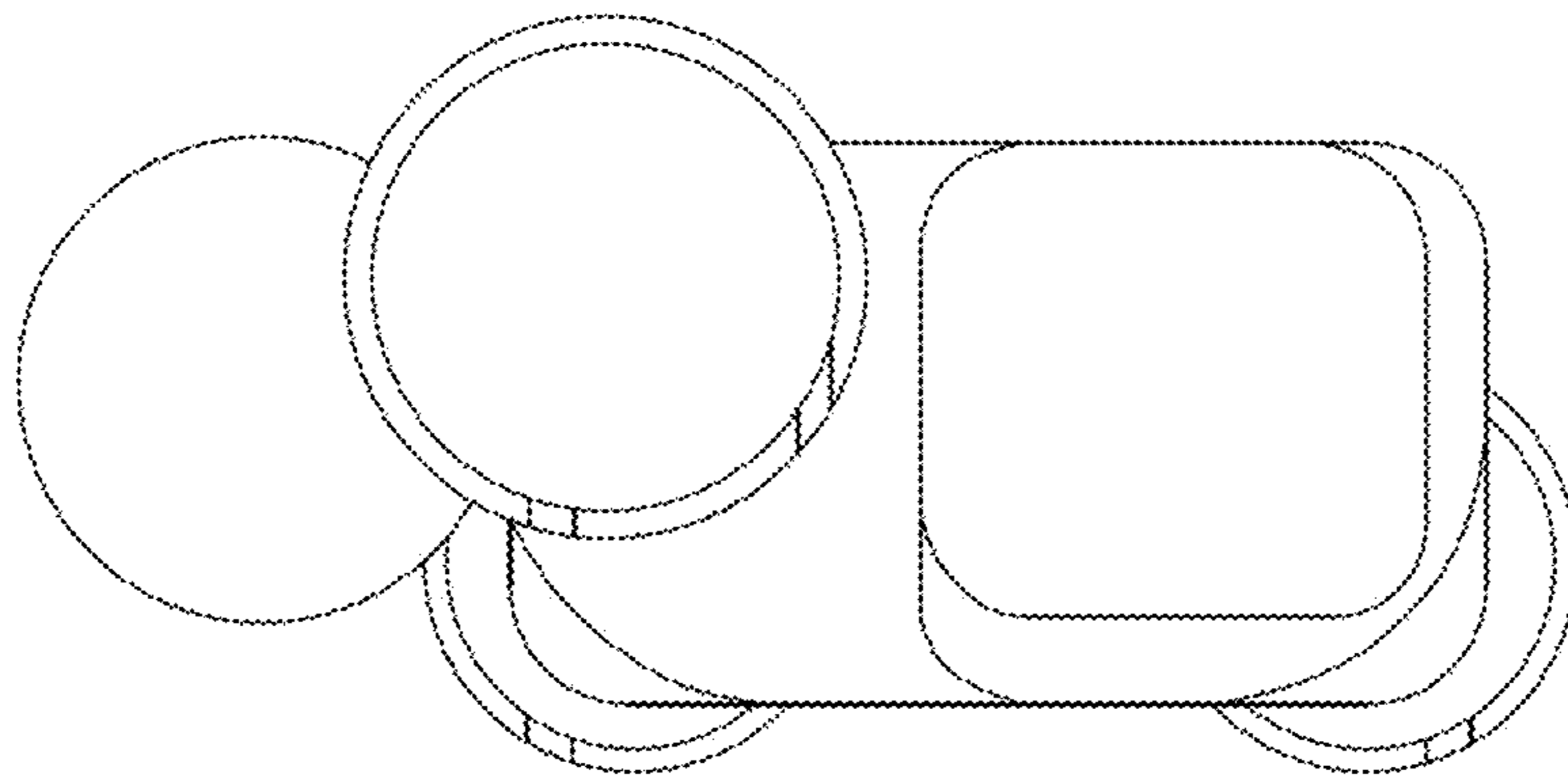
*FIG.3*



**FIG.4**



*FIG.5*



**FIG. 6**