



US00D891711S

(12) **United States Design Patent** (10) **Patent No.:** **US D891,711 S**
He (45) **Date of Patent:** **** Jul. 28, 2020**

(54) **CAT TREE** D364,489 S * 11/1995 Cook D30/108
5,465,682 A * 11/1995 Chavallo, Jr. A01K 1/033
(71) Applicant: **HANGZHOU PETSBELLE** D397,832 S * 9/1998 Allen D30/108
PRODUCT CO., LTD., Zhejiang (CN) D422,754 S * 4/2000 Kolozsvari D30/118
(72) Inventor: **Haijiao He,** Zhejiang (CN) D460,222 S * 7/2002 DeRaspe-Bolles D30/118
D473,020 S * 4/2003 DeRaspe-Bolles D30/118

(73) Assignee: **HANGZHOU PETSBELLE**
PRODUCT CO., LTD., Hangzhou
(CN)

* cited by examiner
Primary Examiner — Sheryl Lane
Assistant Examiner — Aula Soroush
(74) *Attorney, Agent, or Firm* — Platinum Intellectual
Property LLP

(**) **Term:** **15 Years**
(21) **Appl. No.:** **29/647,925**
(22) **Filed:** **May 16, 2018**

(30) **Foreign Application Priority Data**
Nov. 28, 2017 (CN) 2017 3 0593023
Jan. 22, 2018 (CN) 2018 3 0052952
Jan. 22, 2018 (CN) 2018 3 0052982

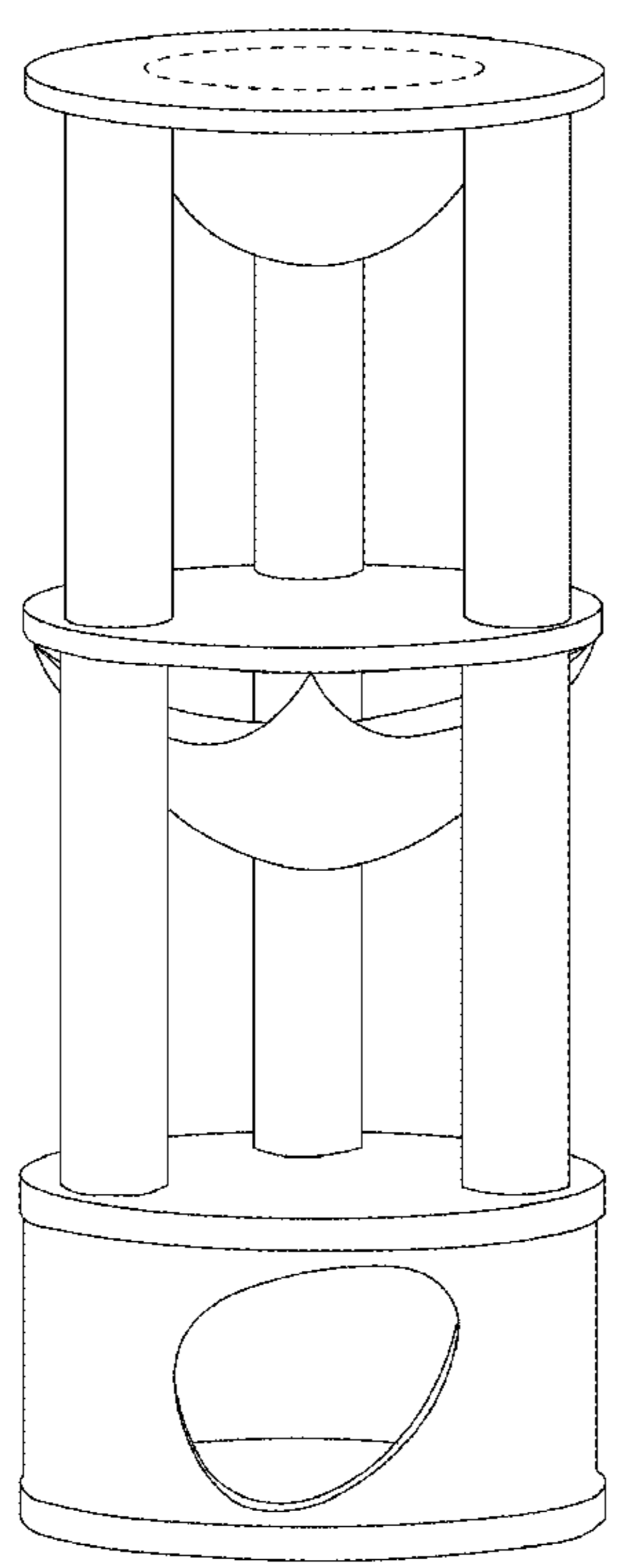
(57) **CLAIM**
The ornamental design for a cat tree, as shown.

(51) **LOC (12) Cl.** **30-99**
(52) **U.S. Cl.**
USPC **D30/160**
(58) **Field of Classification Search**
USPC D30/108–120, 158–161; D3/304
CPC A01K 1/0245; A01K 5/0114; A01K 15/02;
A01K 15/04
See application file for complete search history.

DESCRIPTION
FIG. 1 is a perspective view of a cat tree showing my new design;
FIG. 2 is a front view thereof;
FIG. 3 is a rear view thereof;
FIG. 4 is a left side view thereof;
FIG. 5 is a right side view thereof; and,
FIG. 6 is a top view thereof.
The broken lines in the drawings illustrate portions of the cat tree that form no part of the claimed design.

(56) **References Cited**
U.S. PATENT DOCUMENTS
D224,686 S * 8/1972 Dewitt 119/28.5
D232,036 S * 7/1974 Willinger 119/452

1 Claim, 6 Drawing Sheets



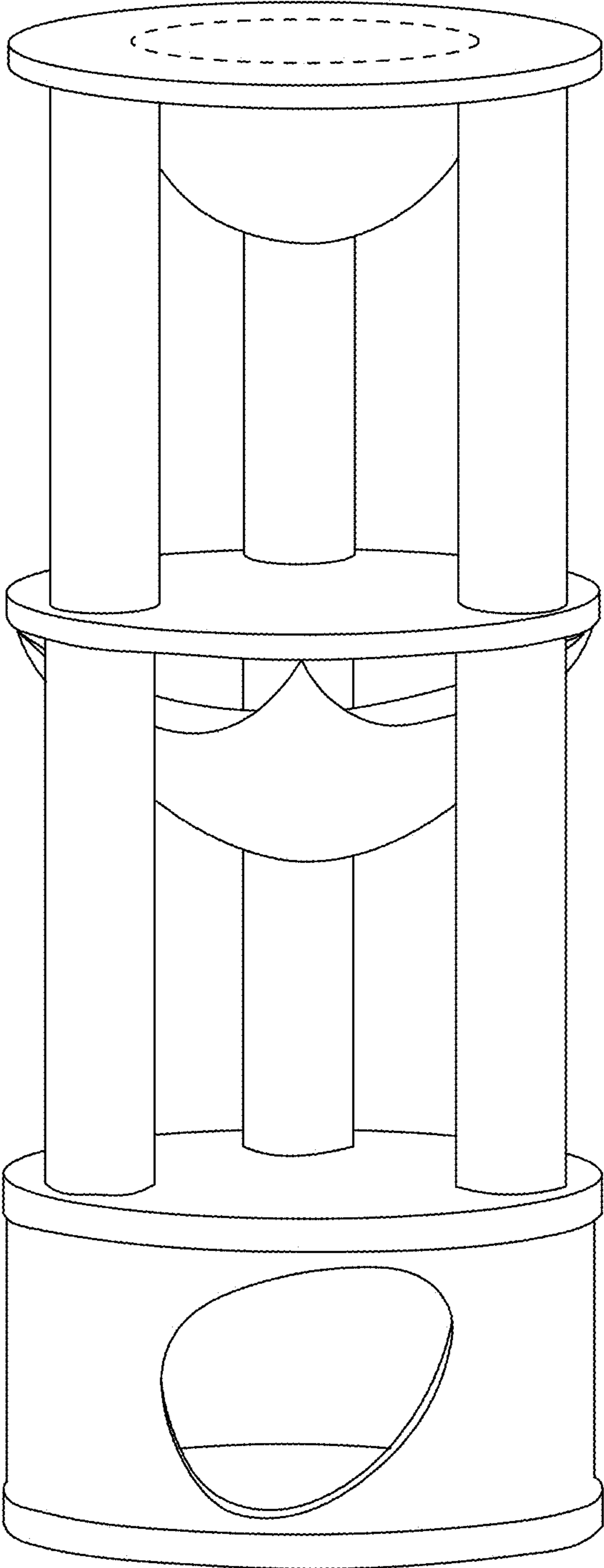


FIG. 1

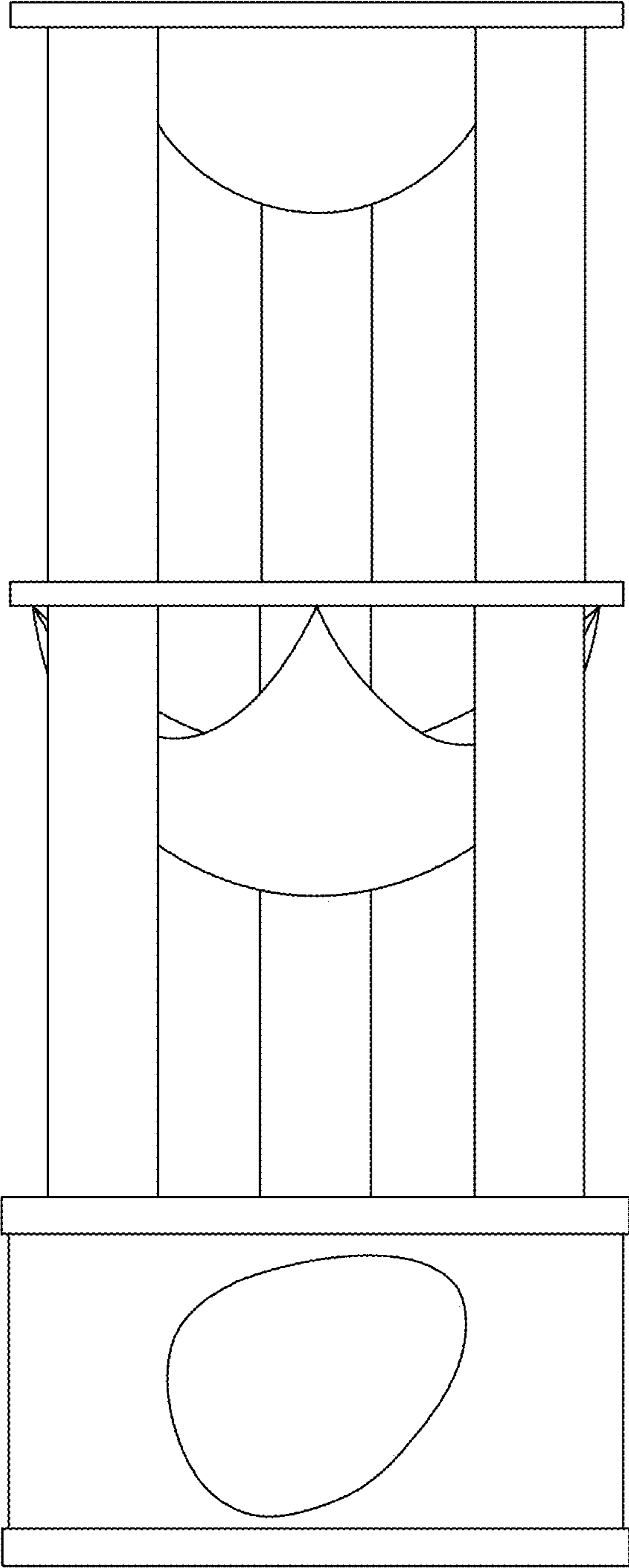


FIG. 2

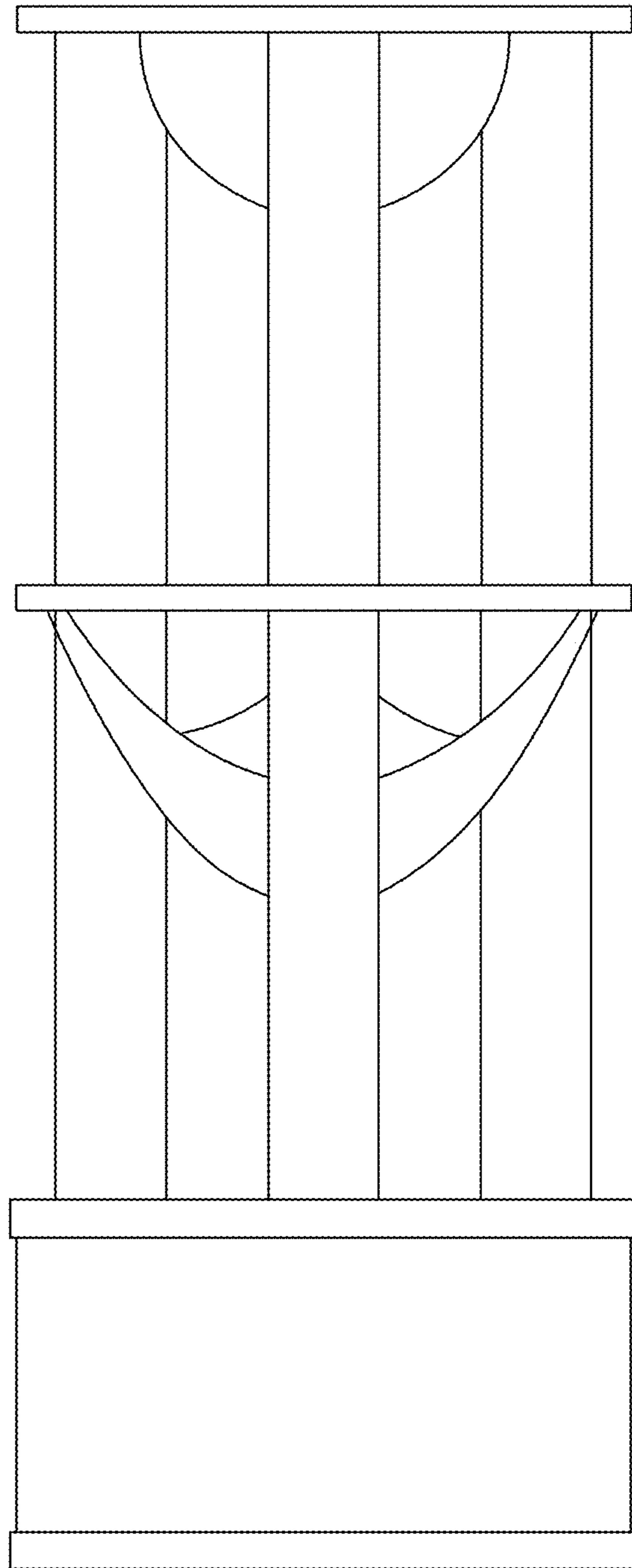


FIG. 3

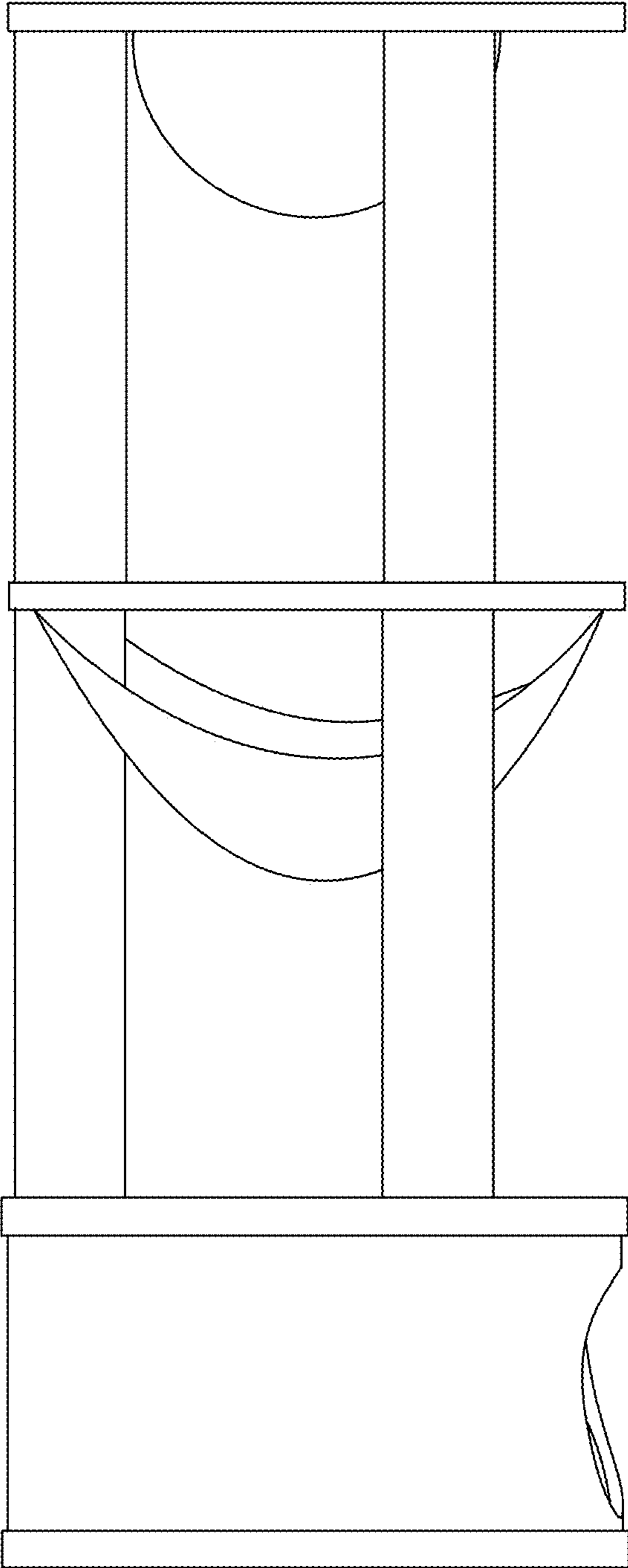


FIG. 4

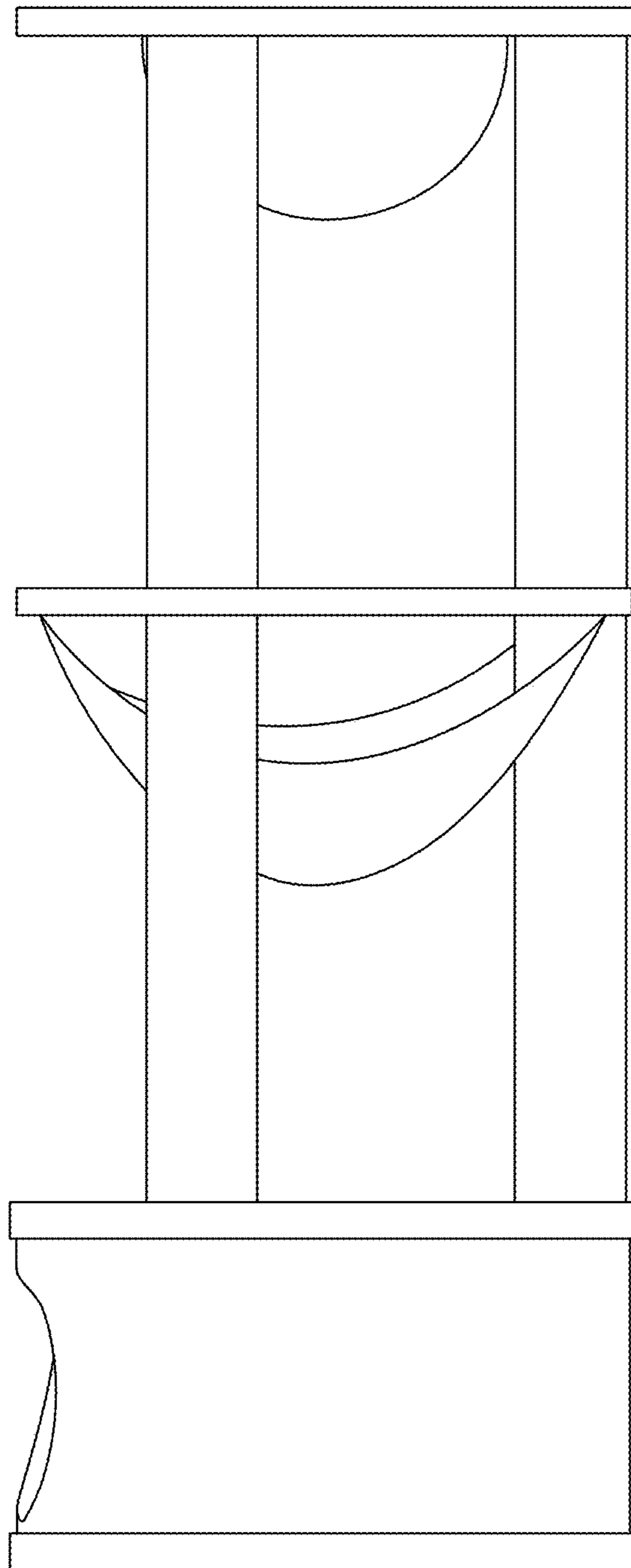


FIG. 5

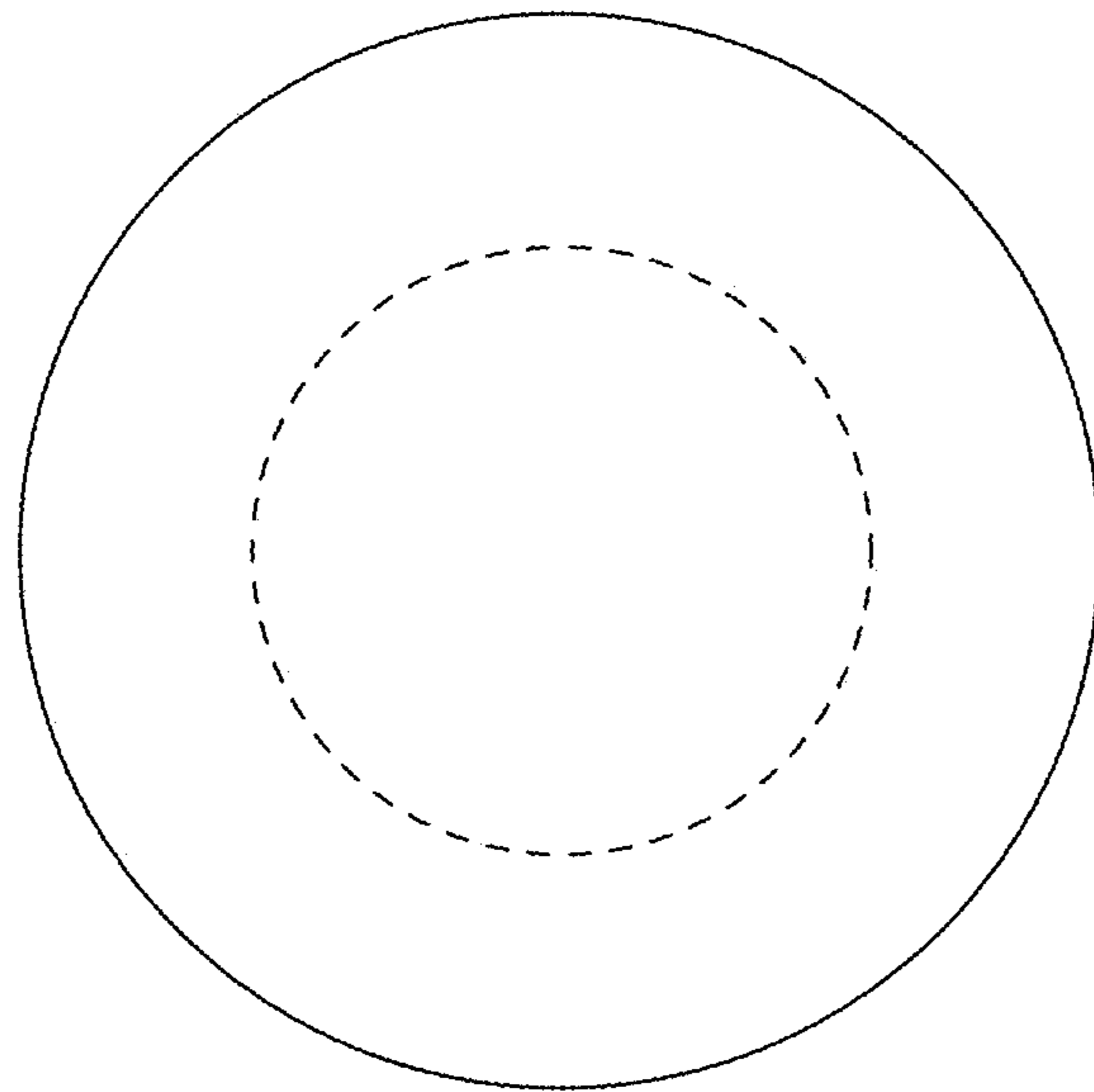


FIG. 6