



US00D891710S

(12) **United States Design Patent**  
**Zhang**

(10) **Patent No.:** **US D891,710 S**

(45) **Date of Patent:** **\*\* Jul. 28, 2020**

(54) **EPILATOR FOR PET**

(71) Applicant: **Shenzhen Simple-tech Environmental Technology Co., Ltd, Shenzhen (CN)**

(72) Inventor: **Gensheng Zhang, Anhui (CN)**

(\*\*) Term: **15 Years**

(21) Appl. No.: **29/673,085**

(22) Filed: **Dec. 11, 2018**

(51) **LOC (12) Cl.** ..... **30-99**

(52) **U.S. Cl.**  
USPC ..... **D30/158**

(58) **Field of Classification Search**  
USPC ..... D30/158, 159; D28/21, 25, 27, 32, 33,  
D28/44, 45, 48, 49, 52, 53  
See application file for complete search history.

(56) **References Cited**

**U.S. PATENT DOCUMENTS**

D626,295 S *	10/2010	Porter	.....	D30/159
D626,296 S *	10/2010	Porter	.....	D30/159
D626,297 S *	10/2010	Porter	.....	D30/159
D787,138 S *	5/2017	Porter	.....	D30/158
D787,755 S *	5/2017	Porter	.....	D30/158
D787,756 S *	5/2017	Porter	.....	D30/158

D790,139 S *	6/2017	Loudenback	.....	D30/158
D790,140 S *	6/2017	Amice	.....	D30/158
D790,781 S *	6/2017	Cafasso	.....	D30/158
D834,767 S *	11/2018	Hadden	.....	D30/159
D844,261 S *	3/2019	Agual	.....	A46B 9/028 D30/159
D848,680 S *	5/2019	Coughlin	.....	D30/159
D870,984 S *	12/2019	Yan	.....	D30/159

\* cited by examiner

*Primary Examiner* — Michael C Stout

*Assistant Examiner* — Katrina N Gonzalez

(74) *Attorney, Agent, or Firm* — Prakash Nama; Global IP Services, PLLC

(57) **CLAIM**

The ornamental design for an epilator for pet, as shown.

**DESCRIPTION**

FIG. 1 is a perspective view of an epilator for pet showing my new design;

FIG. 2 is another perspective view thereof;

FIG. 3 is a front elevational view thereof;

FIG. 4 is a rear elevational view thereof;

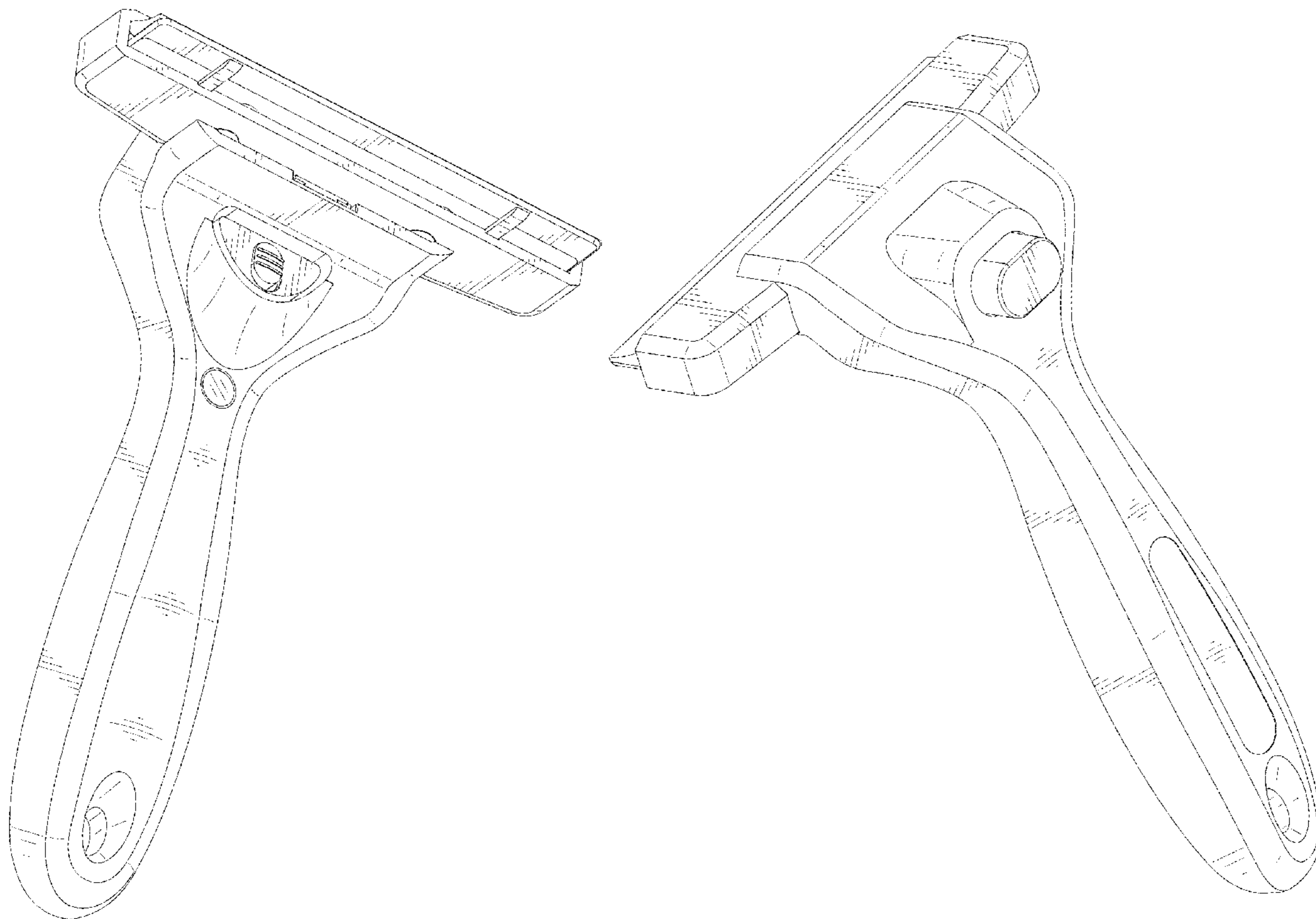
FIG. 5 is a left side view thereof;

FIG. 6 is a right side view thereof;

FIG. 7 is a top plan view thereof; and,

FIG. 8 is a bottom plan view thereof.

**1 Claim, 8 Drawing Sheets**



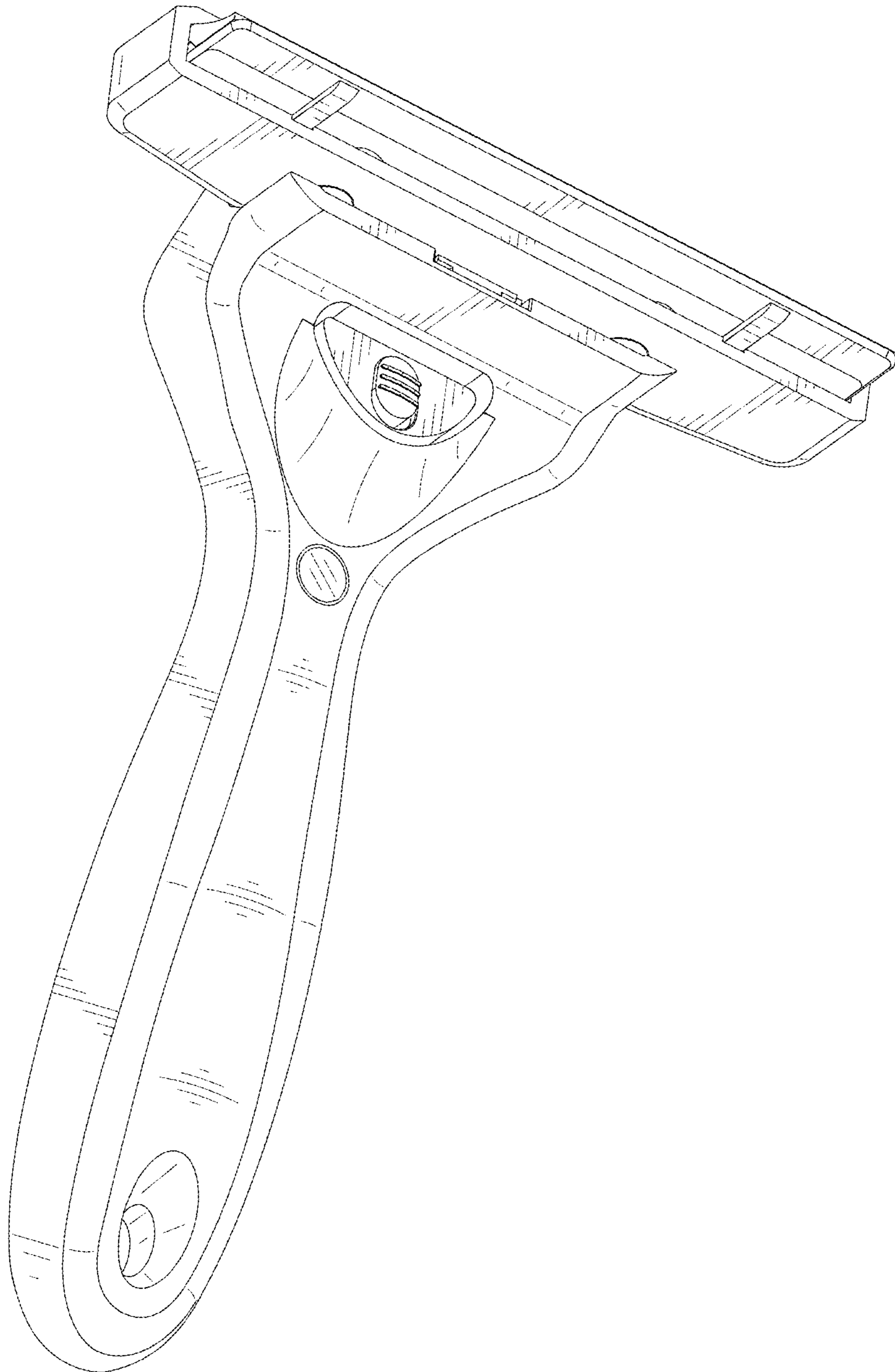


FIG.1

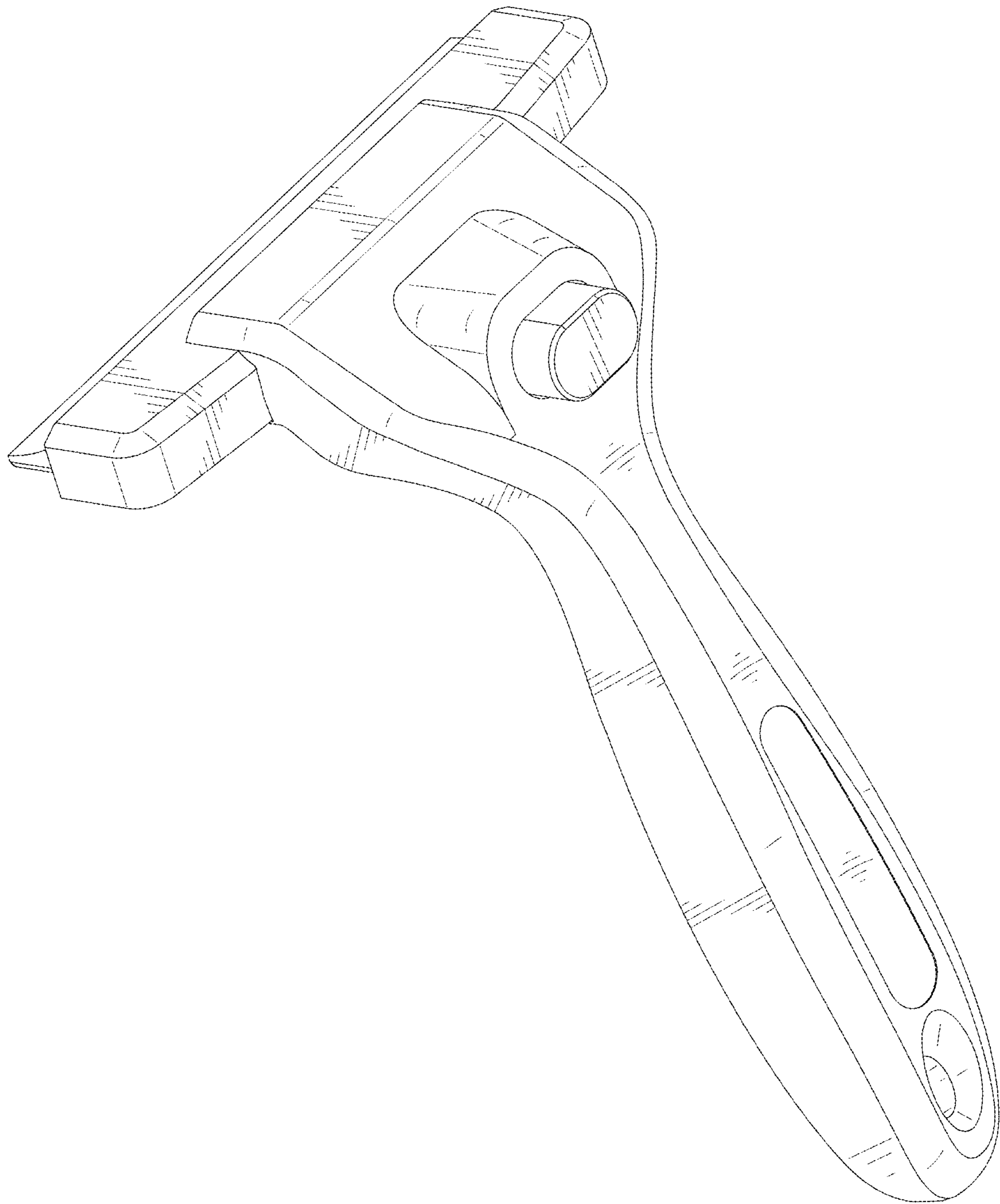


FIG.2

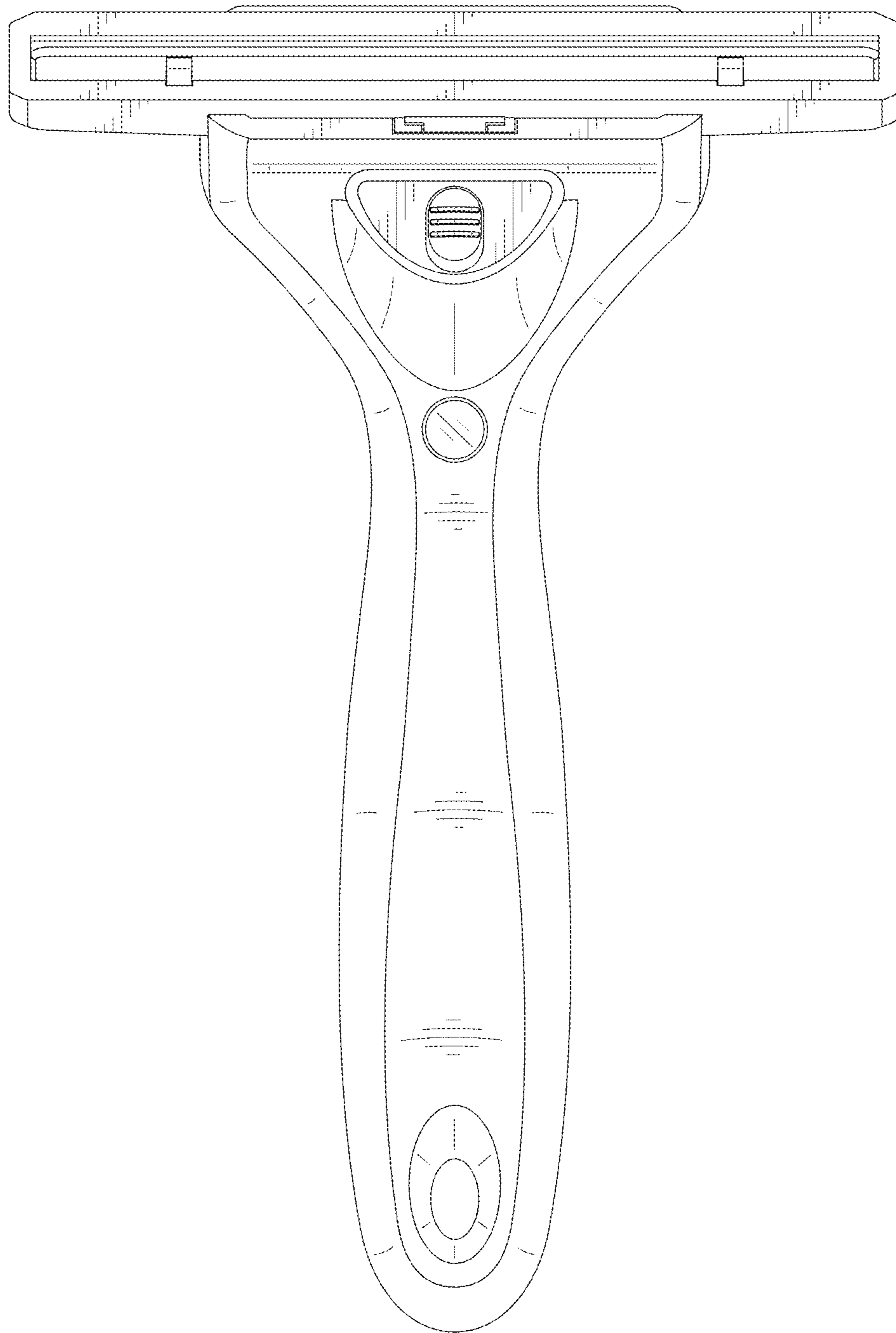


FIG.3

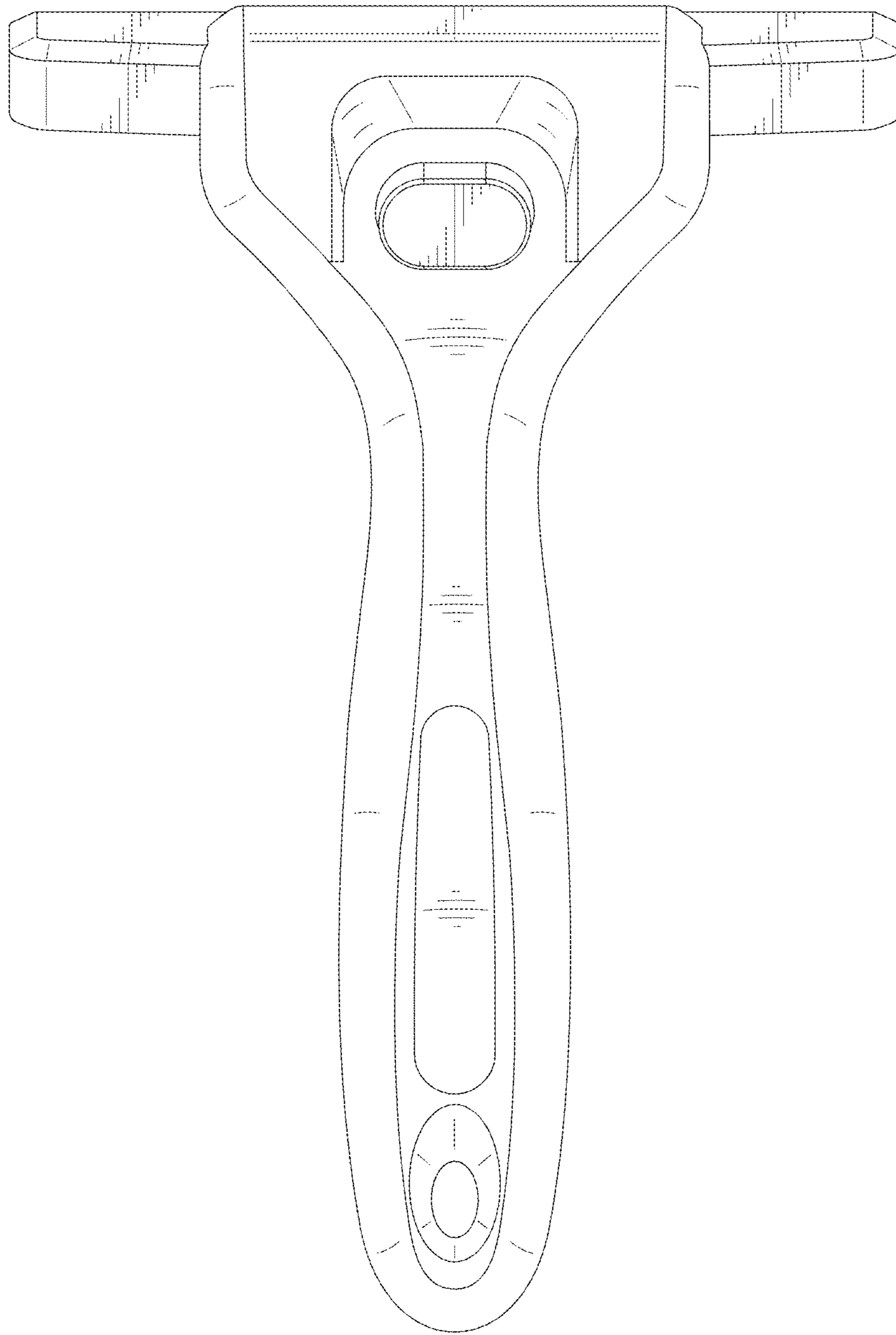


FIG.4



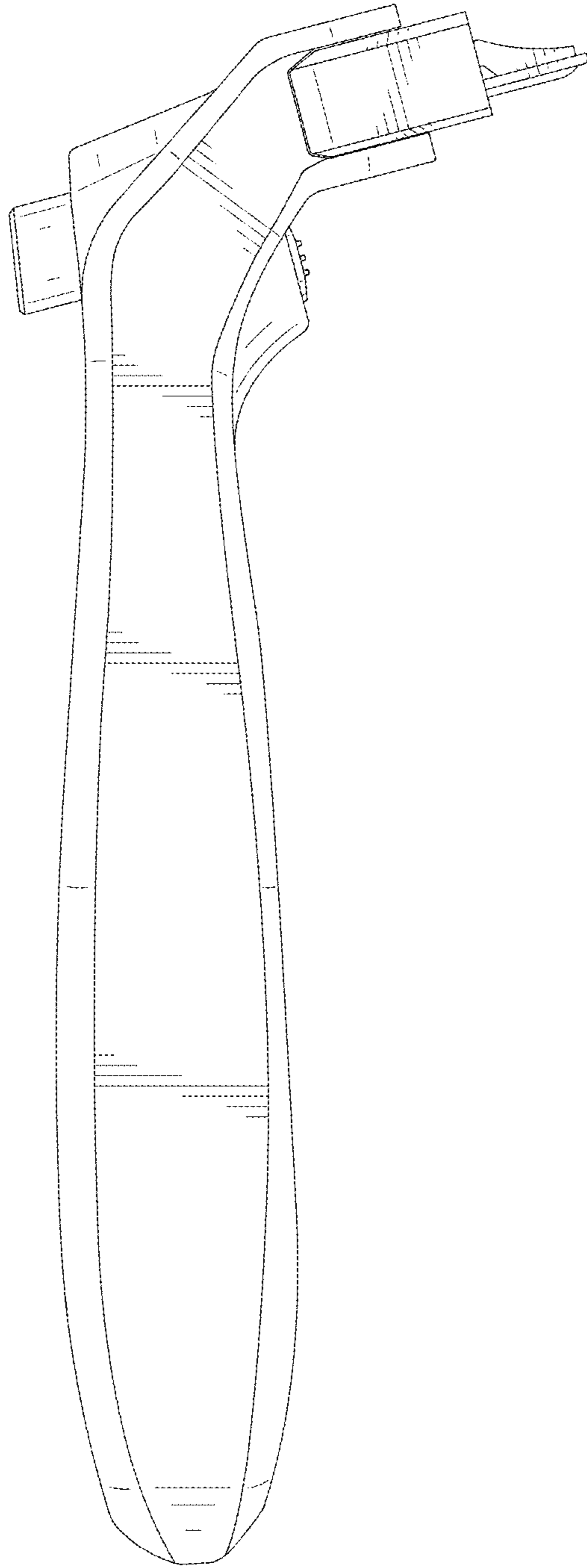


FIG.5

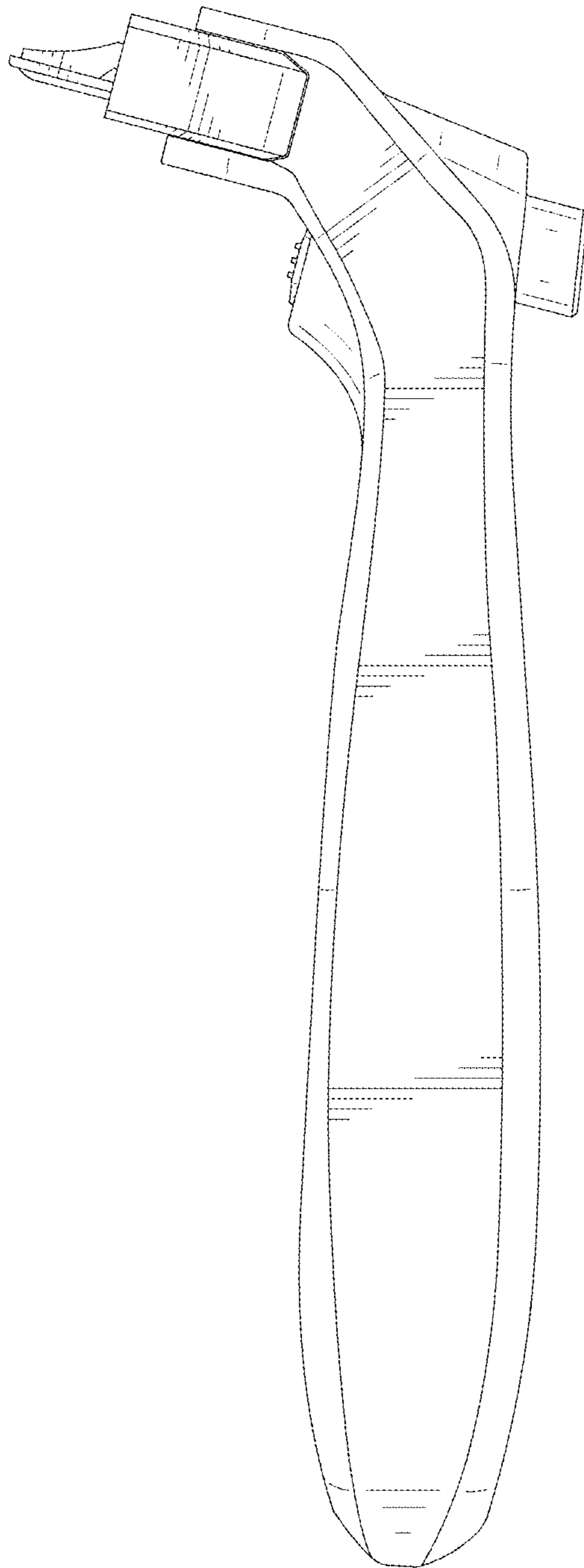


FIG.6

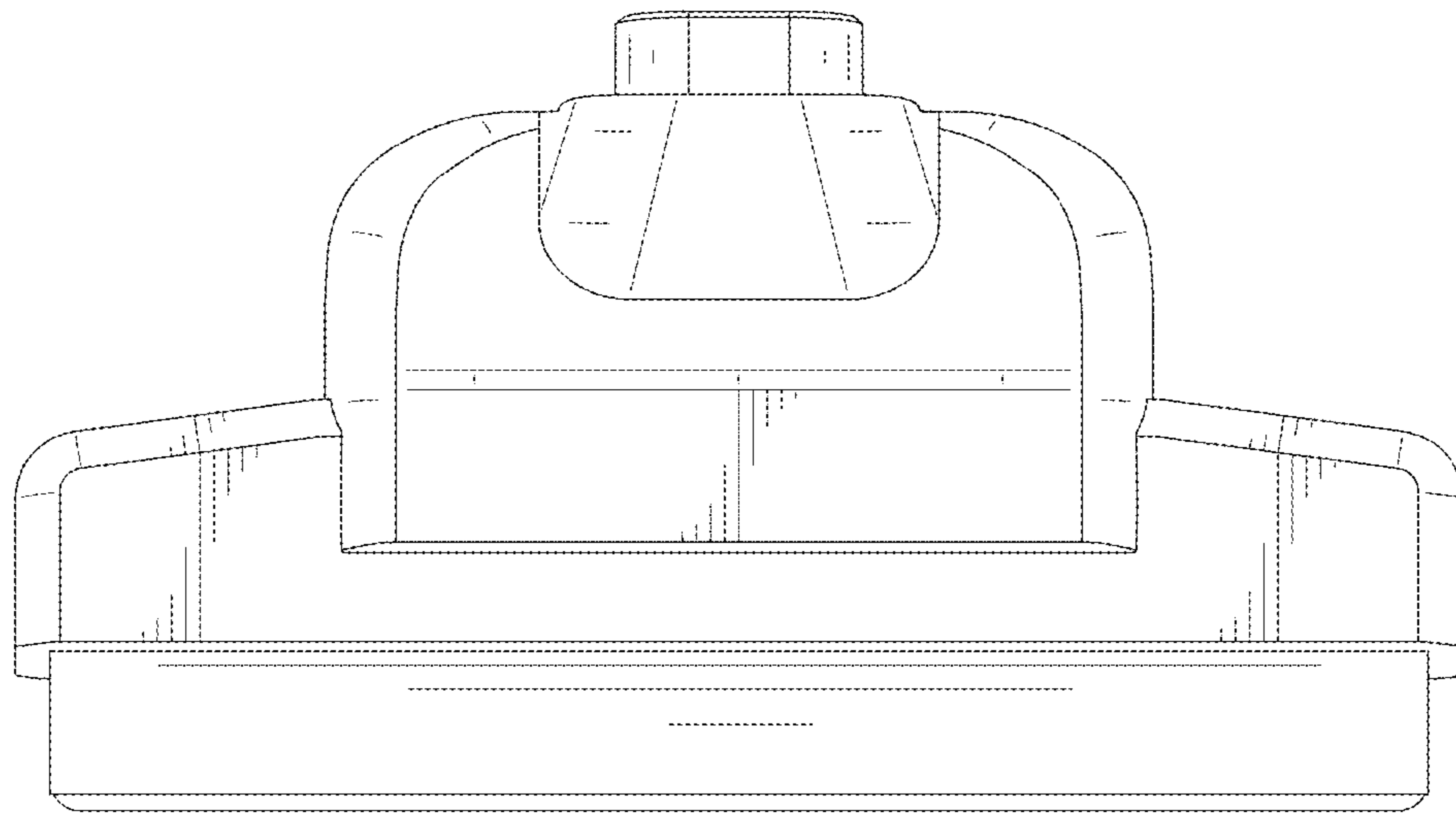


FIG.7



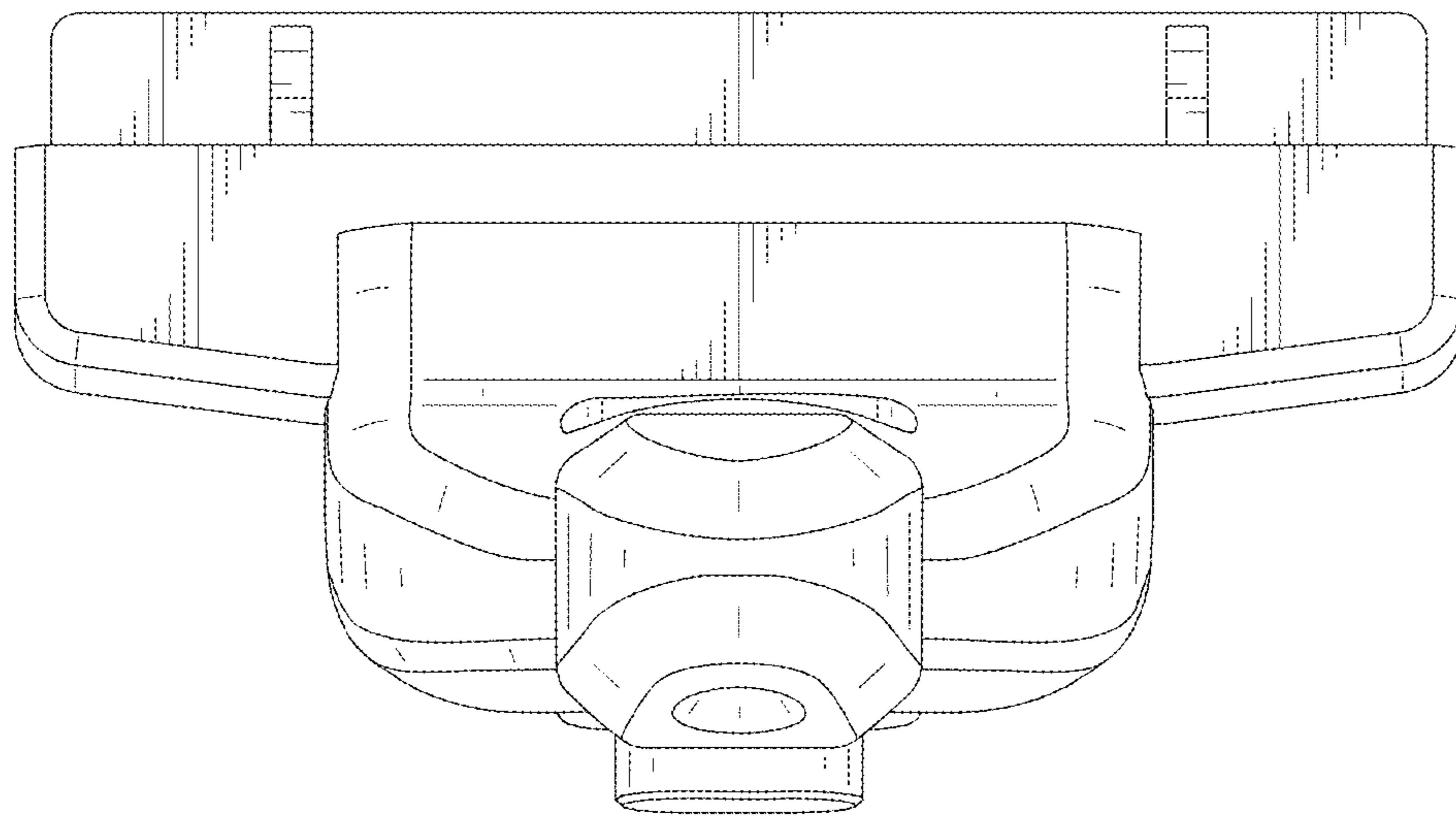


FIG.8