



US00D891707S

(12) **United States Design Patent** (10) **Patent No.:** **US D891,707 S**
Dwyer et al. (45) **Date of Patent:** **** Jul. 28, 2020**

- (54) **ATTACHMENT STRUCTURE FOR A FISH PEN FEED DISPERSER**
- (71) Applicant: **InnovaSea Systems, Inc.**, Boston, MA (US)
- (72) Inventors: **Rodney J. Dwyer**, Bainbridge Island, WA (US); **Joseph L. Laughlin**, Medford, OR (US); **Francisco Javier Padilla Magan**, Cadiz (ES); **Tyler Sclodnick**, Quincy, MA (US)
- (73) Assignee: **InnovaSea Systems, Inc.**, Boston, MA (US)
- (**) Term: **15 Years**
- (21) Appl. No.: **29/670,103**
- (22) Filed: **Nov. 13, 2018**
- (51) **LOC (12) Cl.** **30-03**
- (52) **U.S. Cl.**
USPC **D30/133; D30/121**
- (58) **Field of Classification Search**
USPC **D30/101-107, 121, 133, 199; D25/127, D25/131, 133, 134**
See application file for complete search history.

2012/0167829 A1* 7/2012 Madsen A01K 61/60
119/223

2017/0238511 A1 8/2017 Gace et al.

2019/0150410 A1* 5/2019 Dwyer A01K 61/80

FOREIGN PATENT DOCUMENTS

JP 64-006867 U 1/1989
JP 06-327376 A 11/1994
KR 20-0454434 Y1 7/2011
KR 10-1064806 B1 9/2011

* cited by examiner

Primary Examiner — Michael C Stout
Assistant Examiner — Katrina N Gonzalez
 (74) *Attorney, Agent, or Firm* — Christensen O'Connor Johnson Kindness, PLLC

(57) **CLAIM**

The ornamental design for the attachment structure for a fish pen feed disperser, as shown and described.

DESCRIPTION

FIG. 1 is a perspective view of an attachment structure for a fish pen feed disperser in accordance with the present design;

FIG. 2 is a top plan view of the attachment structure for a fish pen feed disperser shown in FIG. 1, which due to symmetry is the same as the bottom plan view;

FIG. 3 is a front view of the attachment structure for a fish pen feed disperser shown in FIG. 1;

FIG. 4 is a back view of the attachment structure for a fish pen feed disperser shown in FIG. 1;

FIG. 5 is a left side view of the attachment structure for a fish pen feed disperser shown in FIG. 1; and,

FIG. 6 is a right side view of the attachment structure for a fish pen feed disperser shown in FIG. 1.

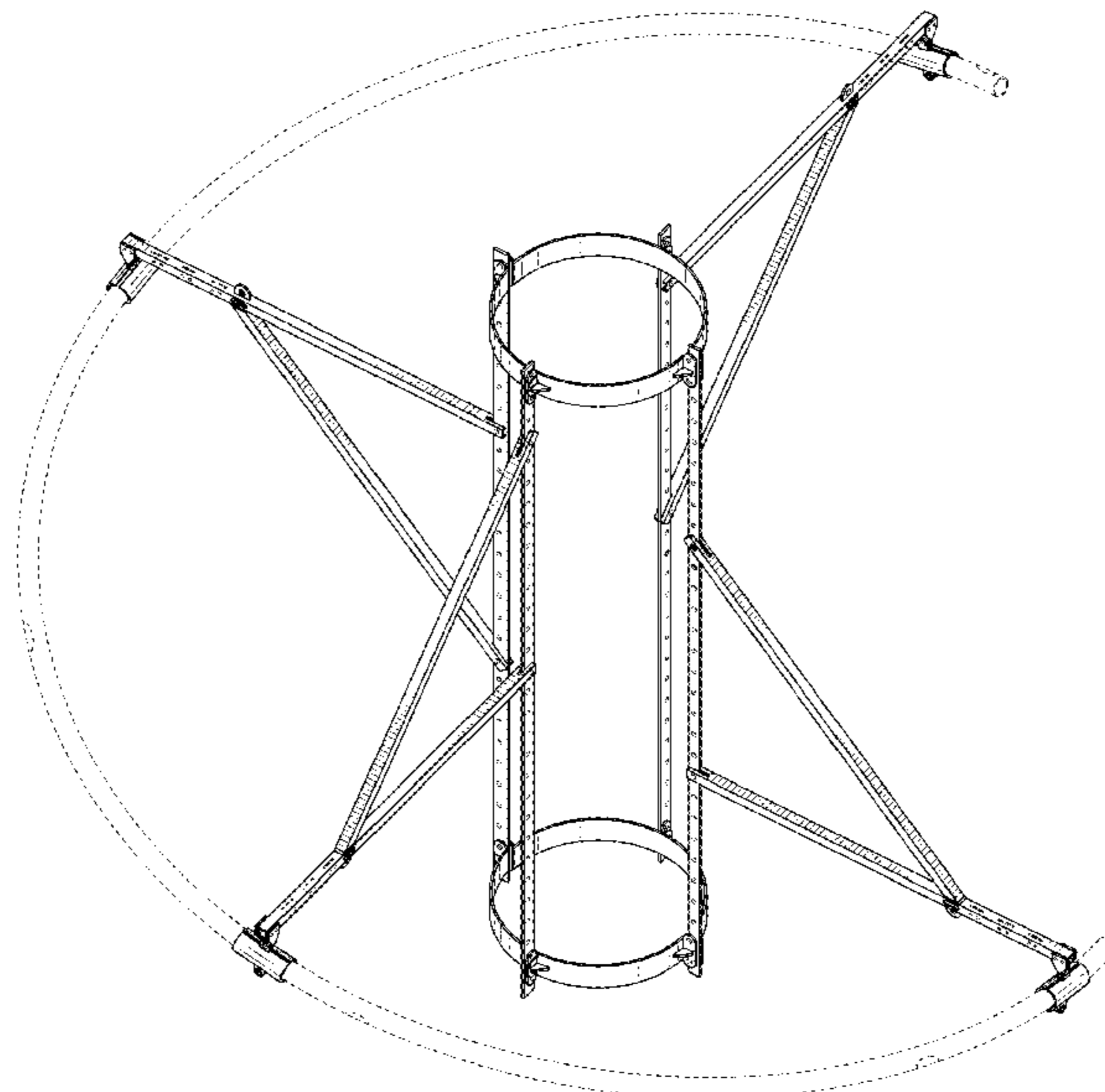
The broken line showing of a feed disperser is for the purpose of illustrating environmental structure and forms no part of the claimed design.

(56) **References Cited**

U.S. PATENT DOCUMENTS

D323,716 S * 2/1992 Shook D25/127
 D373,659 S * 9/1996 Miller D30/121
 5,617,813 A 4/1997 Loverich et al.
 8,424,491 B2 4/2013 Page
 8,651,059 B2 2/2014 Cartwright et al.
 9,072,282 B2 7/2015 Madsen et al.
 D787,751 S * 5/2017 Bosco D30/121
 10,231,443 B2 * 3/2019 Gace A01K 61/60
 D874,681 S * 2/2020 Tech D25/126
 2008/0110408 A1 * 5/2008 Thorvardarson A01K 61/60
119/223

1 Claim, 6 Drawing Sheets



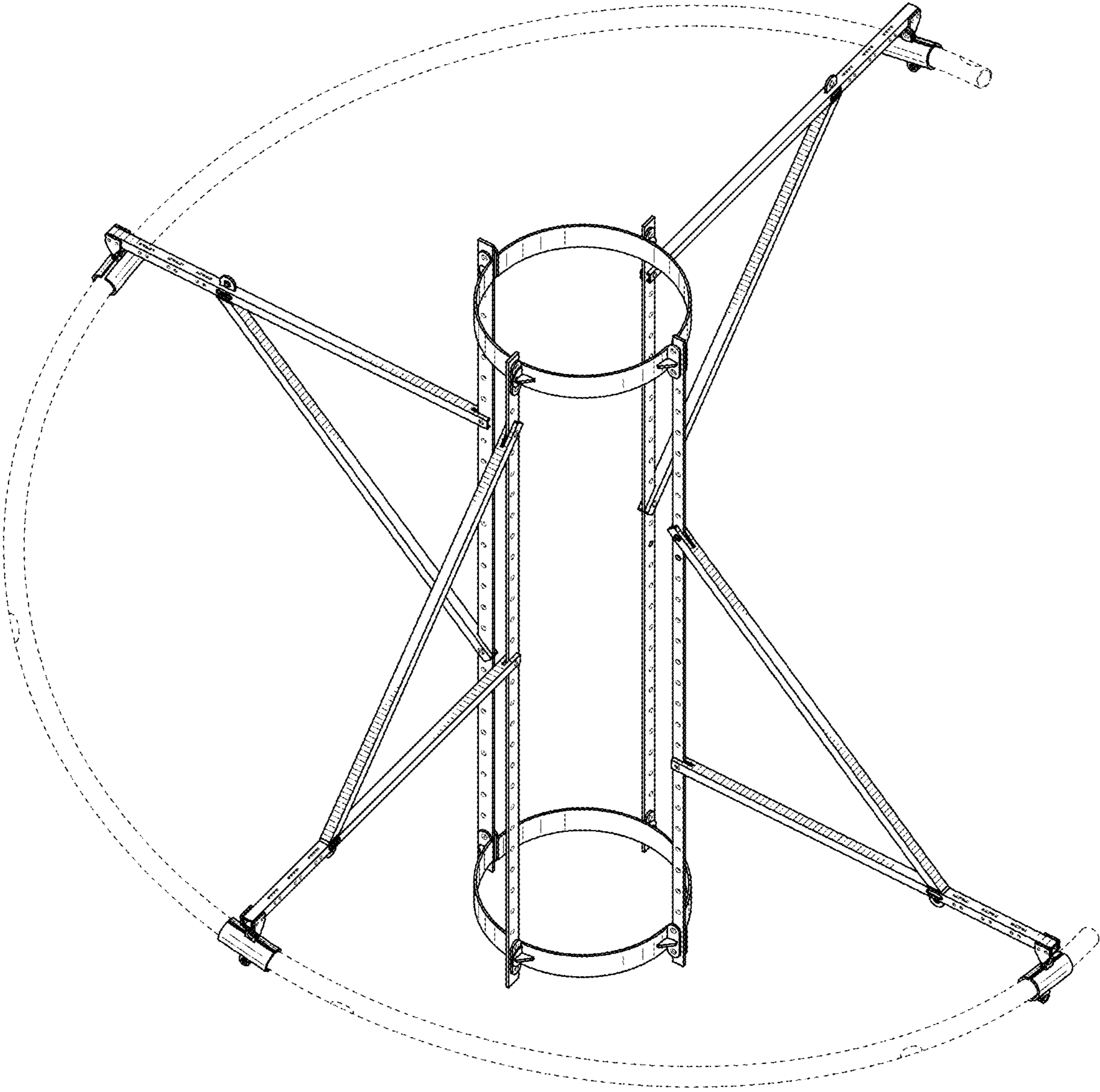


FIG. 1

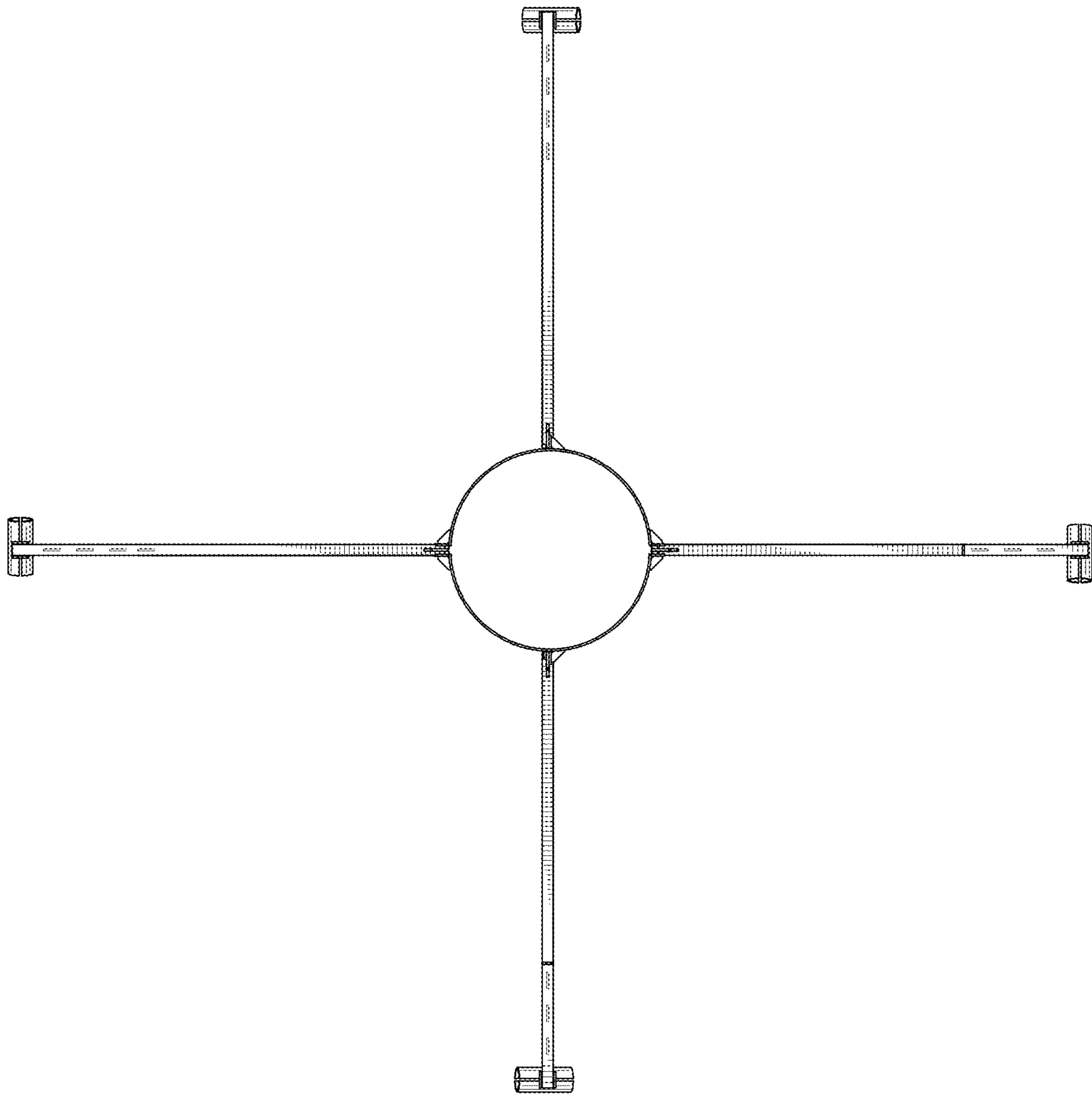


FIG. 2

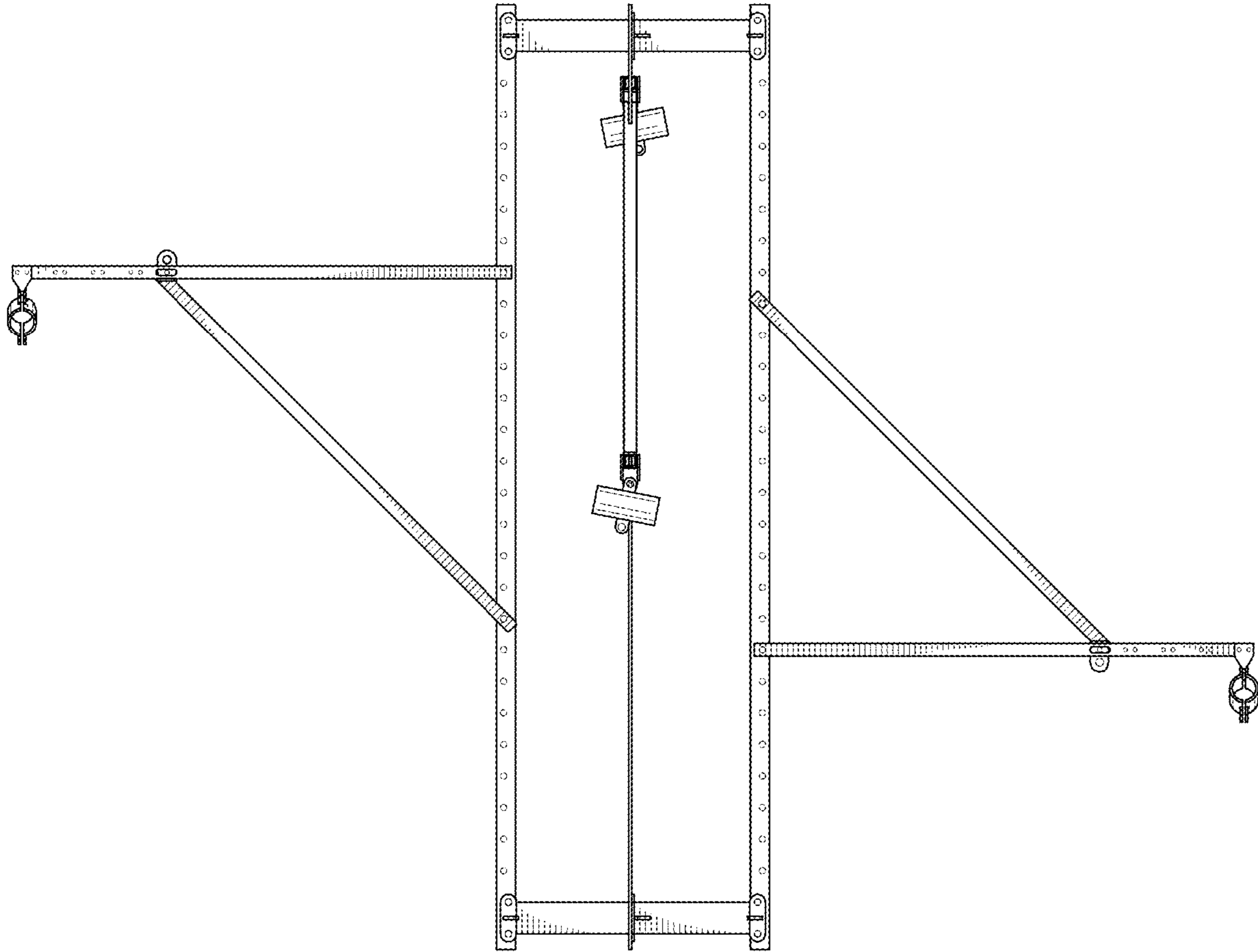


FIG. 3

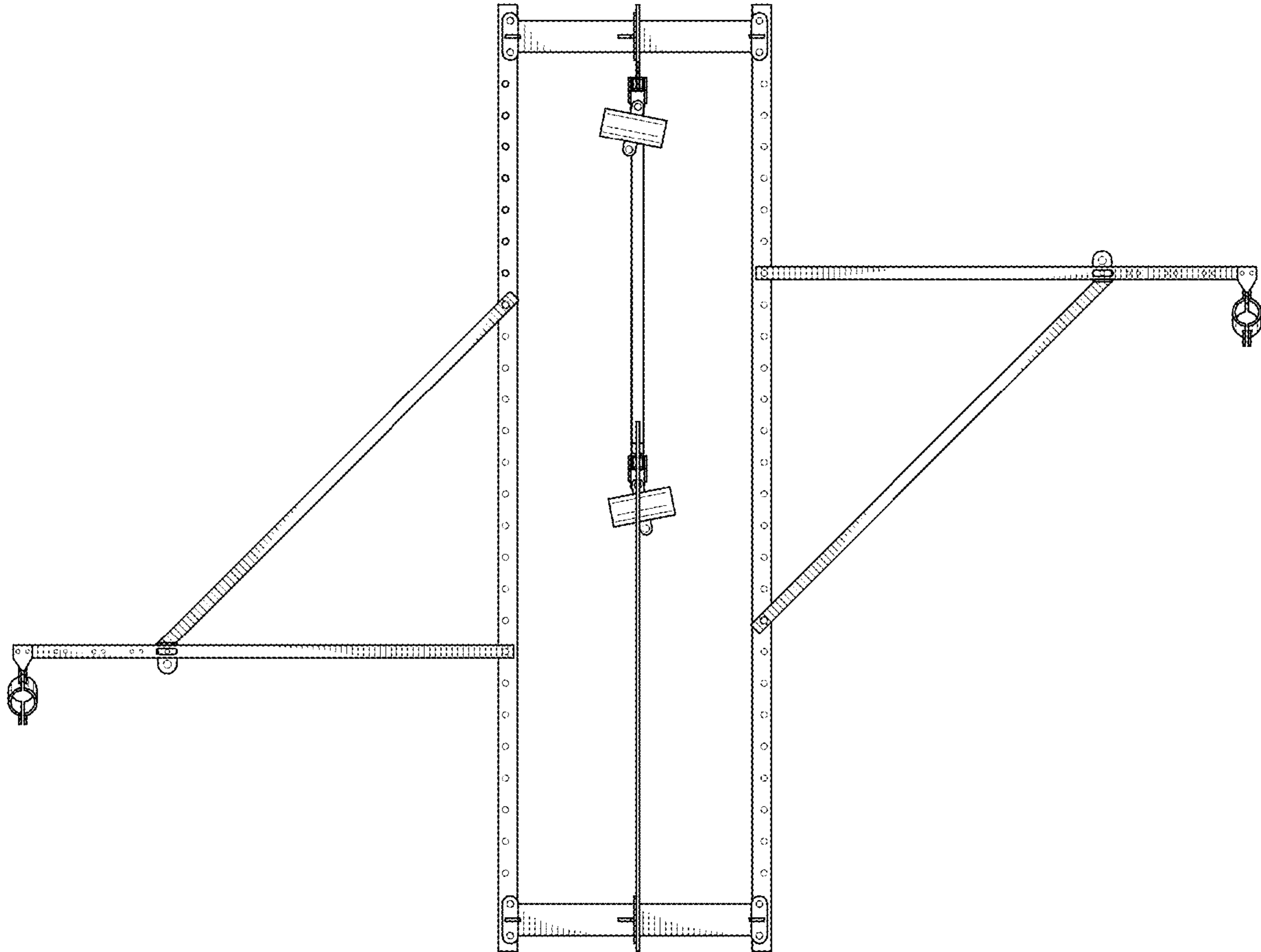


FIG. 4

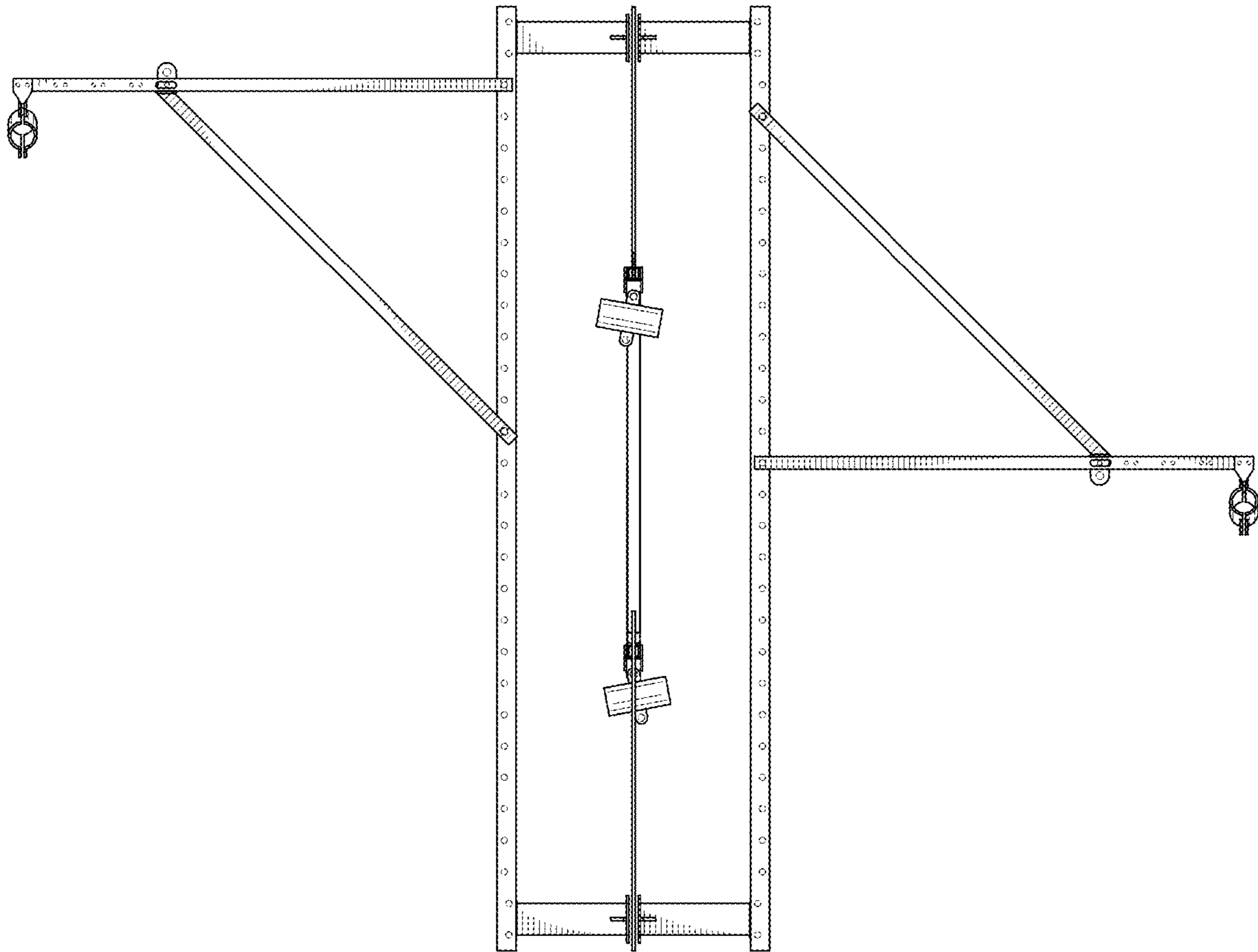


FIG. 5

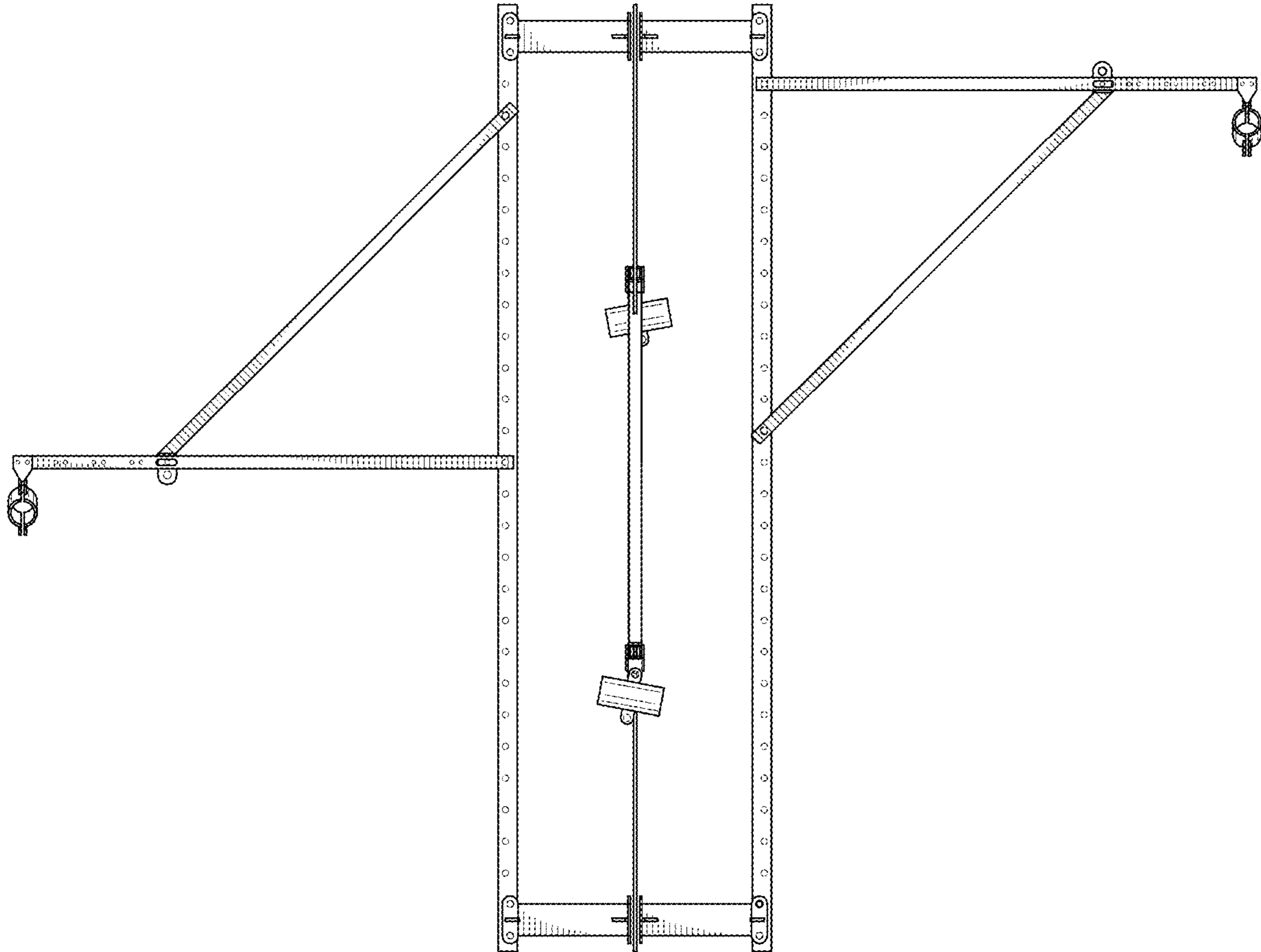


FIG. 6