



US00D891706S

(12) **United States Design Patent** (10) **Patent No.:** **US D891,706 S**
Lee (45) **Date of Patent:** **** Jul. 28, 2020**

(54) **WRIST GUARD**

(71) Applicant: **Sang Jin Lee**, Gyeongsangnam-do (KR)

(72) Inventor: **Sang Jin Lee**, Gyeongsangnam-do (KR)

(**) Term: **15 Years**

(21) Appl. No.: **29/641,078**

(22) Filed: **Mar. 19, 2018**

(30) **Foreign Application Priority Data**

Dec. 18, 2017 (KR) 30-2017-0059886

(51) **LOC (12) Cl.** **29-02**

(52) **U.S. Cl.**
USPC **D29/120.1; D24/190**

(58) **Field of Classification Search**
USPC D10/1-2, 30-39, 40-41, 104.2, 106.94,
D10/114.1-114.9, 116.1, 120-121;
D14/344; D24/167, 186-188, 190;
D2/624; D29/120.1

CPC . H04R 1/00; H04R 1/30; H04R 1/023; G10K
9/04; G10K 9/12; G10K 9/22; G04F
1/00; G04F 1/005; G04F 3/00; G04F
5/00; A61F 5/30; A41D 13/08; A41D
13/088

See application file for complete search history.

(56) **References Cited**

U.S. PATENT DOCUMENTS

D331,978 S * 12/1992 Ito D10/114.1
D362,920 S * 10/1995 Schwartz D26/39
D516,218 S * 2/2006 Larocca D24/190
D525,538 S * 7/2006 Oas D10/32
D527,667 S * 9/2006 Kim D10/116.1
D552,739 S * 10/2007 Green D24/186
D660,971 S * 5/2012 Franke D24/192
D663,852 S * 7/2012 Joseph D24/192

D682,714 S * 5/2013 Barton D10/40
D712,543 S * 9/2014 Maier D24/186
D712,544 S * 9/2014 Maier D24/186
D716,457 S * 10/2014 Brefka D24/186
D718,866 S * 12/2014 Law D24/167
D724,971 S * 3/2015 Bailey D10/70
D783,838 S * 4/2017 Zhao D24/186
D811,604 S * 2/2018 Hashimoto D24/186
D827,831 S * 9/2018 Fong D24/167
D828,189 S * 9/2018 Benedetti D10/70
D858,896 S * 9/2019 Chang D29/120.1
D865,299 S * 10/2019 Rokitta D29/120.1
D866,771 S * 11/2019 Zhu D24/190
D866,772 S * 11/2019 Zhu D24/190

(Continued)

OTHER PUBLICATIONS

Mobius X8 Wrist Brace | posted at mobiusbraces.com no date [online]. © [retrieved Jul. 5, 2019] from Internet: <<https://www.mobiusbraces.com/store/x8-wrist-brace/>> (Year: 2019).*

Primary Examiner — Sandra S Snapp
Assistant Examiner — Katherine Glennon
(74) *Attorney, Agent, or Firm* — Ladas & Parry, LLP

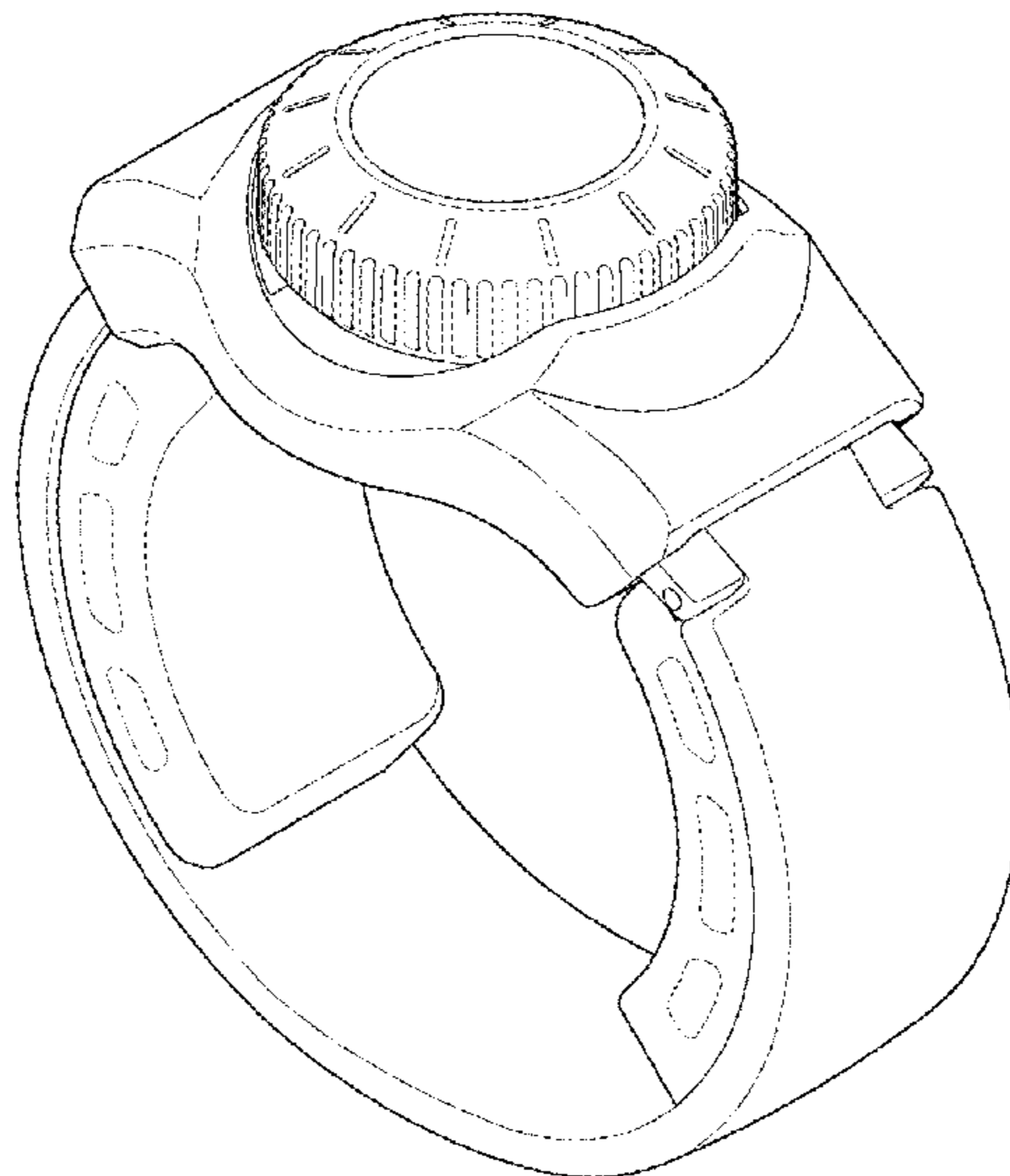
(57) **CLAIM**

The ornamental design for a wrist guard, as shown and described.

DESCRIPTION

FIG. 1 is a perspective view of a wrist guard showing the claimed design;
FIG. 2 is a front view thereof;
FIG. 3 is a rear view thereof;
FIG. 4 is a left side view thereof;
FIG. 5 is a right side view thereof;
FIG. 6 is a top plan view thereof; and,
FIG. 7 is a bottom view thereof.
The broken lines depict portions of the wrist guard that form no part of the claimed design.

1 Claim, 7 Drawing Sheets



(56)

References Cited

U.S. PATENT DOCUMENTS

2005/0101440 A1* 5/2005 Chuang A63B 21/22
482/45
2007/0179404 A1* 8/2007 Escutia A61B 5/1411
600/583
2011/0227738 A1* 9/2011 McIlroy A61N 1/14
340/573.1
2014/0306577 A1* 10/2014 Oh H01L 41/0926
310/323.01
2017/0262016 A1* 9/2017 Janowski G06F 1/163
2019/0191575 A1* 6/2019 Lavergne H05K 5/0217
2019/0364991 A1* 12/2019 Lee A61F 5/30

* cited by examiner

FIG. 1

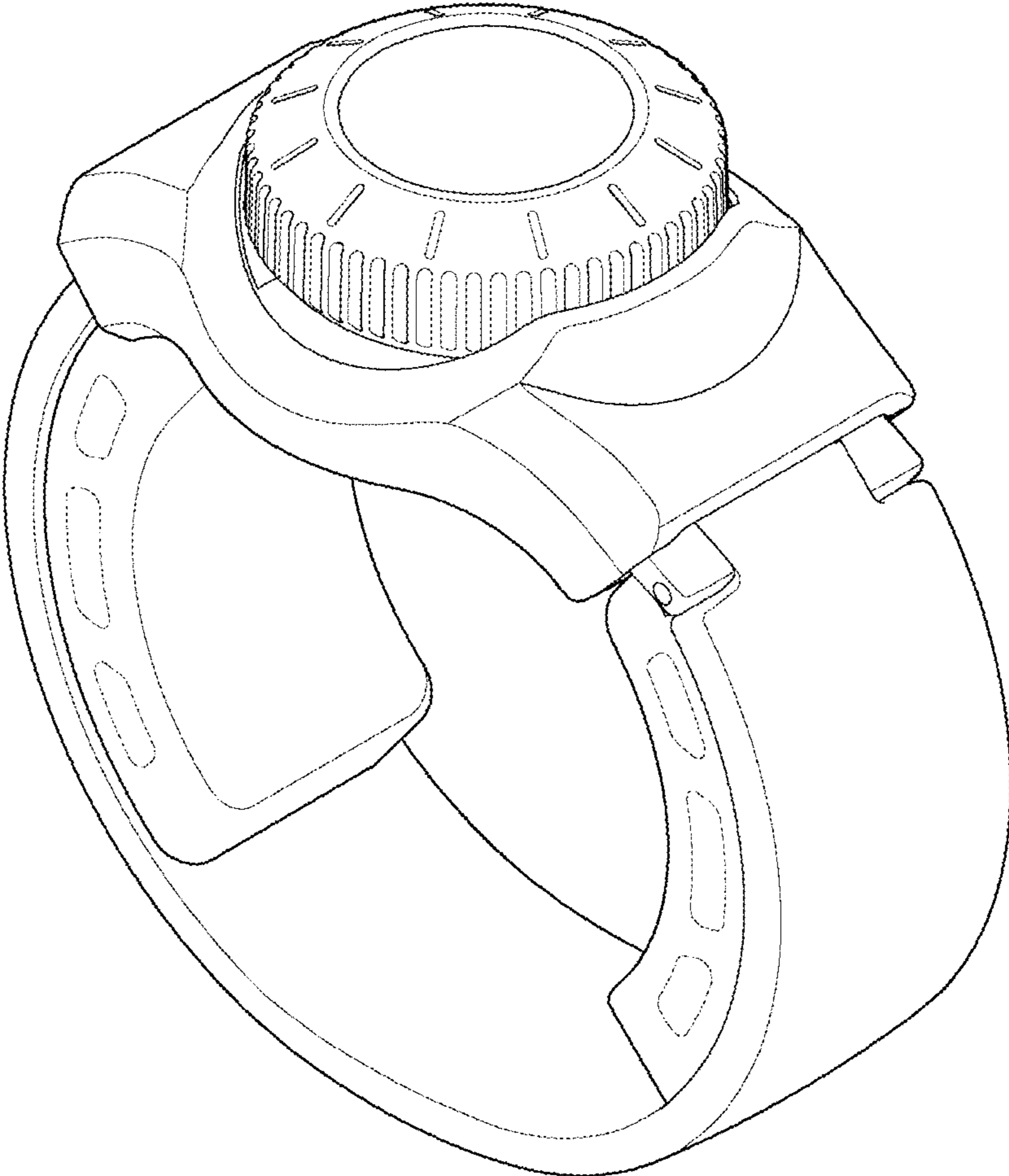


FIG. 2

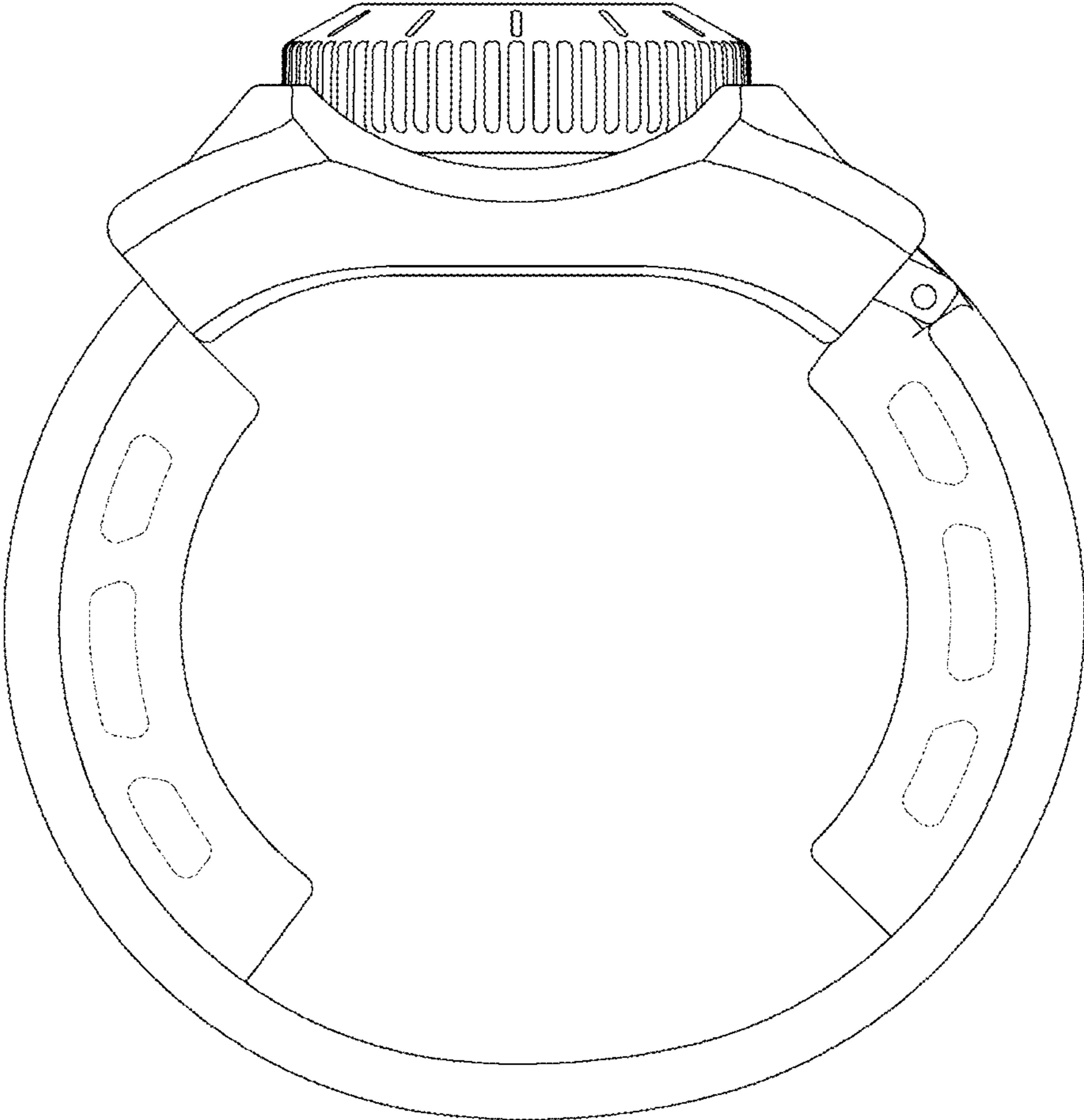


FIG. 3

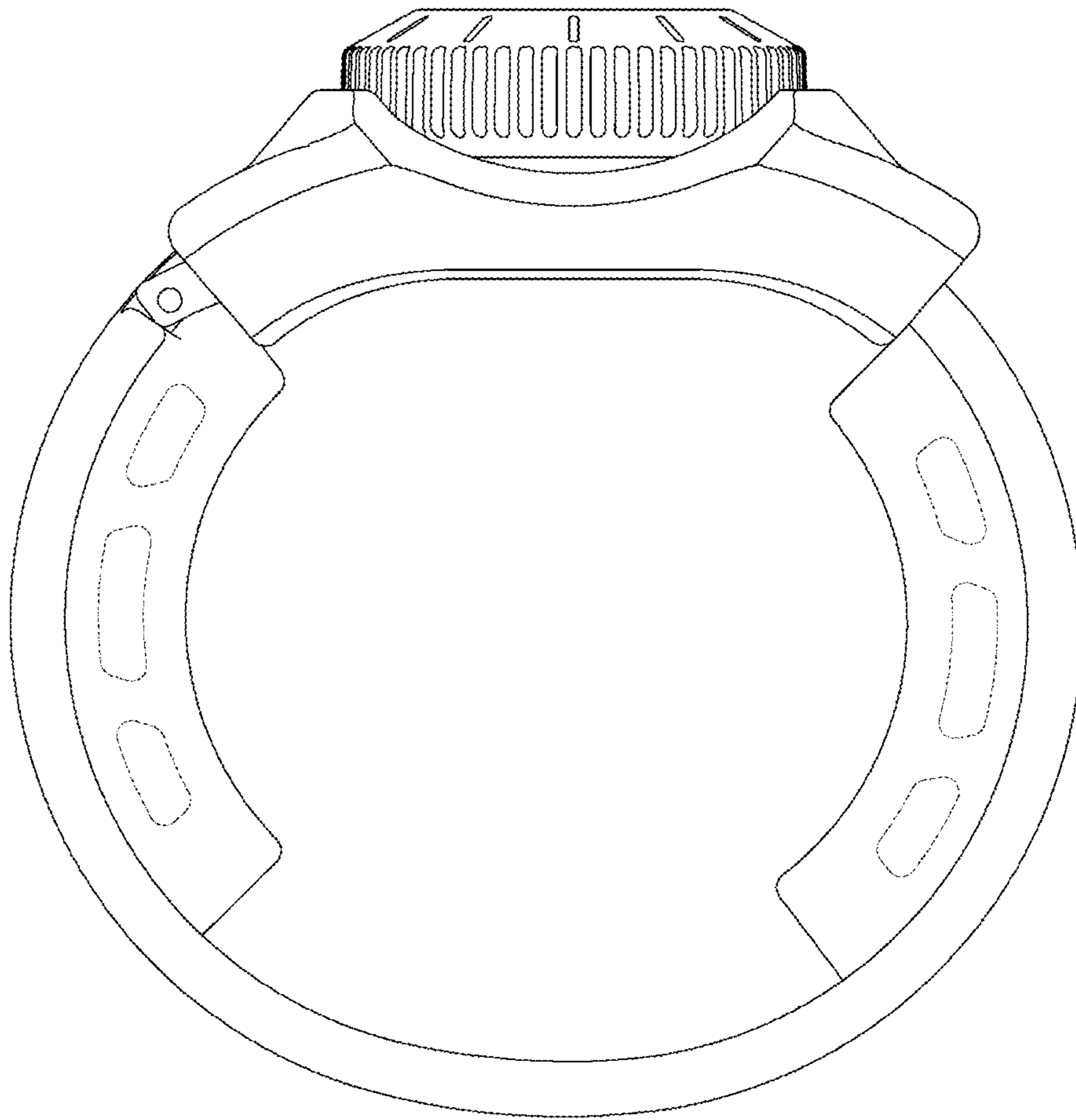


FIG. 4

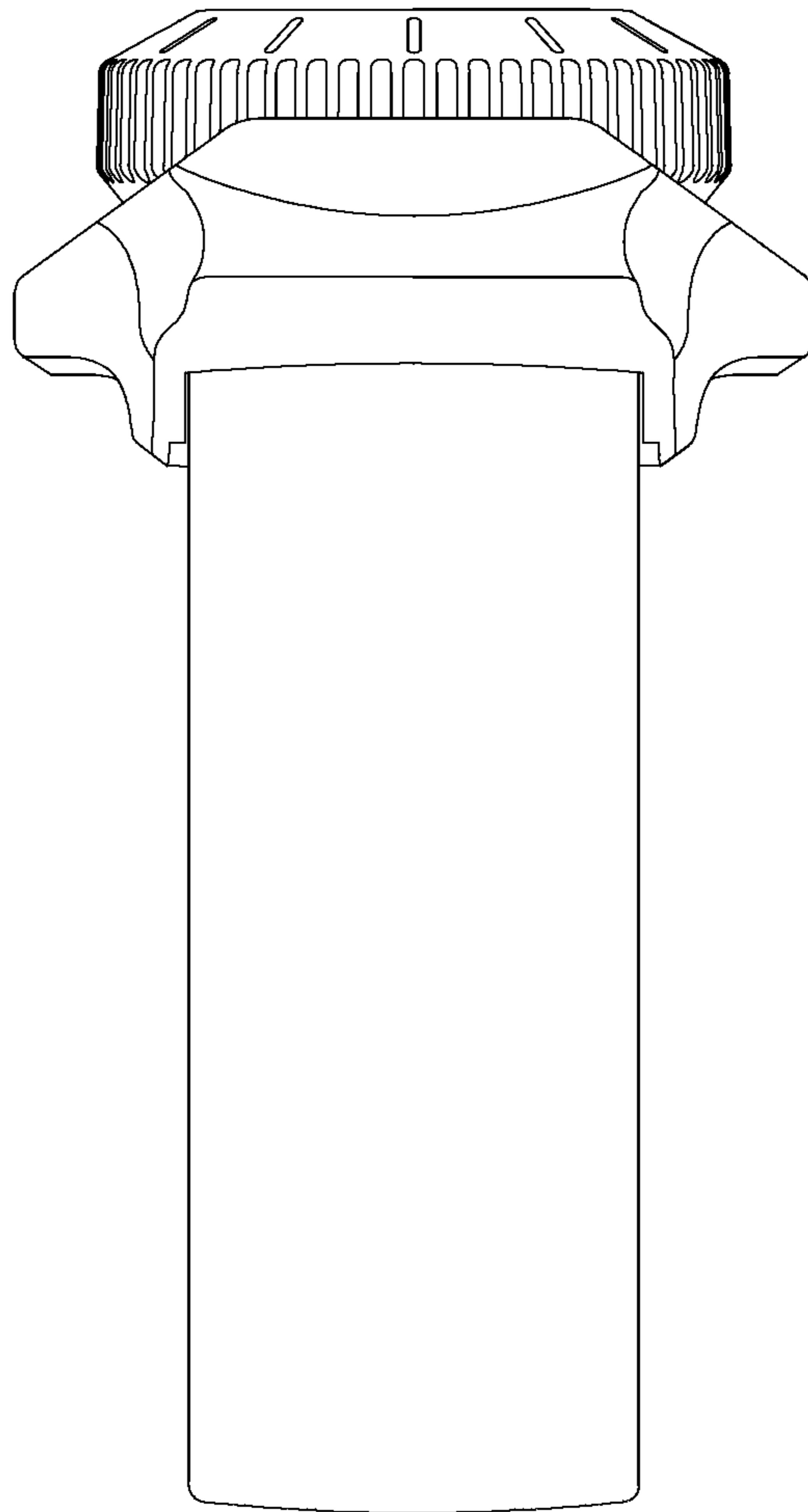


FIG. 5

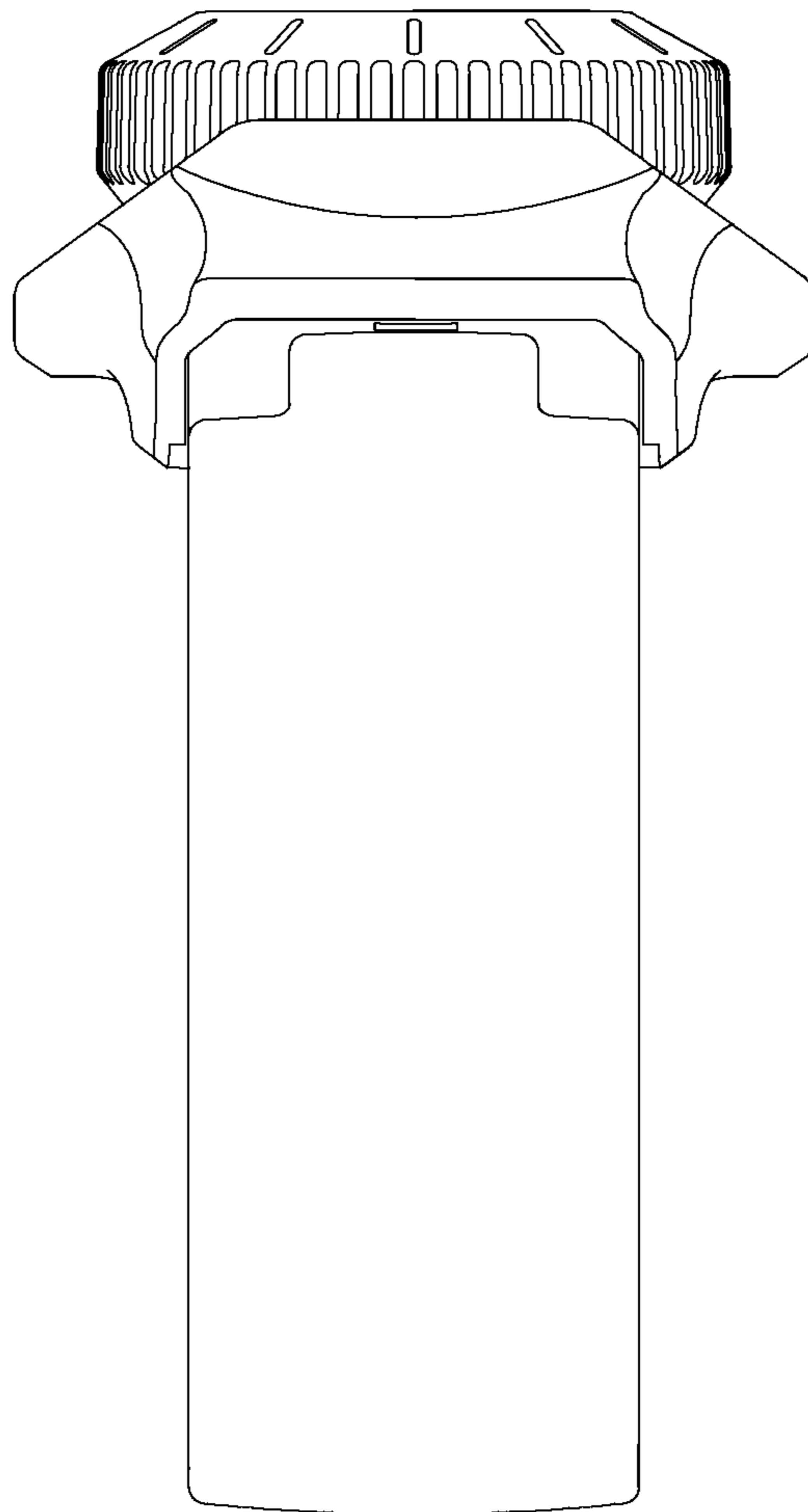


FIG. 6

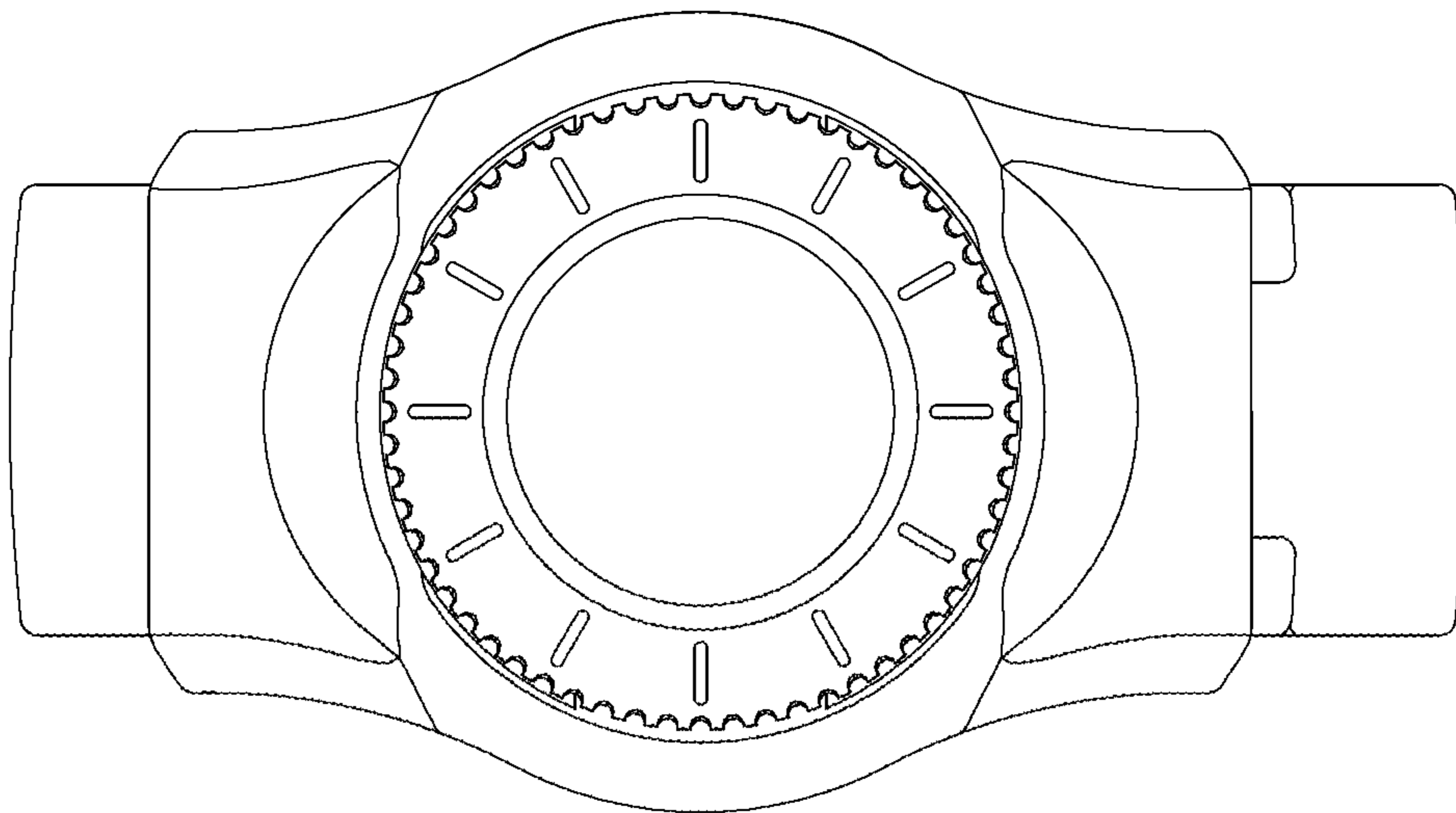


FIG. 7

