



US00D891694S

(12) **United States Design Patent** (10) **Patent No.:** **US D891,694 S**
Hsu (45) **Date of Patent:** **** Jul. 28, 2020**

(54) **ELECTRIC HAIR DRYER**

(56) **References Cited**

(71) Applicant: **Zhejiang Siau Electric Appliance Co., Ltd.**, Hangzhou, Zhejiang Province (CN)

U.S. PATENT DOCUMENTS

D627,098 S * 11/2010 Kim D28/13
D651,341 S * 12/2011 Schmitz D28/13
D791,407 S * 7/2017 Smith D28/13
D850,717 S * 6/2019 Huang D28/13

(72) Inventor: **Annie Hsu**, Hangzhou (CN)

* cited by examiner

(73) Assignee: **Zhejiang Siau Electric Appliance Co., Ltd.**, Hangzhou (CN)

Primary Examiner — Zenia I Bennett

(74) *Attorney, Agent, or Firm* — Bay State IP, LLC

(**) Term: **15 Years**

(57) **CLAIM**

(21) Appl. No.: **29/657,148**

The ornamental design for an electric hair dryer, as shown and described.

(22) Filed: **Jul. 19, 2018**

DESCRIPTION

(30) **Foreign Application Priority Data**

Apr. 16, 2018 (CN) 2018 3 0154473

(51) **LOC (12) Cl.** **28-03**

(52) **U.S. Cl.**
USPC **D28/13**

(58) **Field of Classification Search**
USPC D28/12-19
CPC A45D 20/00; A45D 20/48; A45D 20/50;
A45D 20/52; A45D 20/525

FIG. 1 is a front perspective view of the electric hair dryer showing my new design;

FIG. 2 is a front view thereof;

FIG. 3 is a back view thereof;

FIG. 4 is a top view thereof;

FIG. 5 is a bottom view thereof;

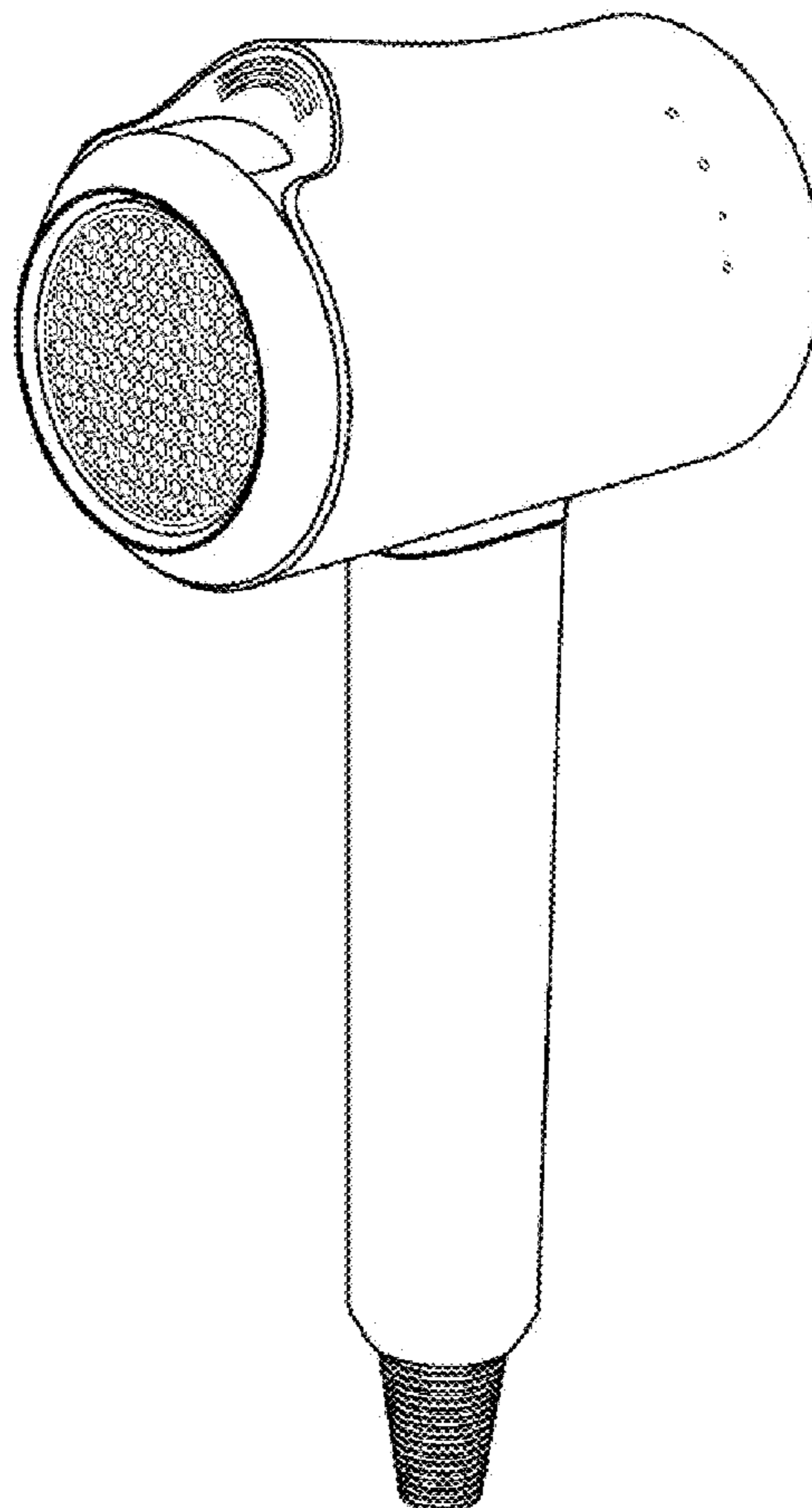
FIG. 6 is a left side view thereof; and,

FIG. 7 is a right side view thereof.

The broken lines depict the circular vent element in FIG. 3 in the drawing are for illustrative purposes only and form no part of the claimed design.

See application file for complete search history.

1 Claim, 7 Drawing Sheets



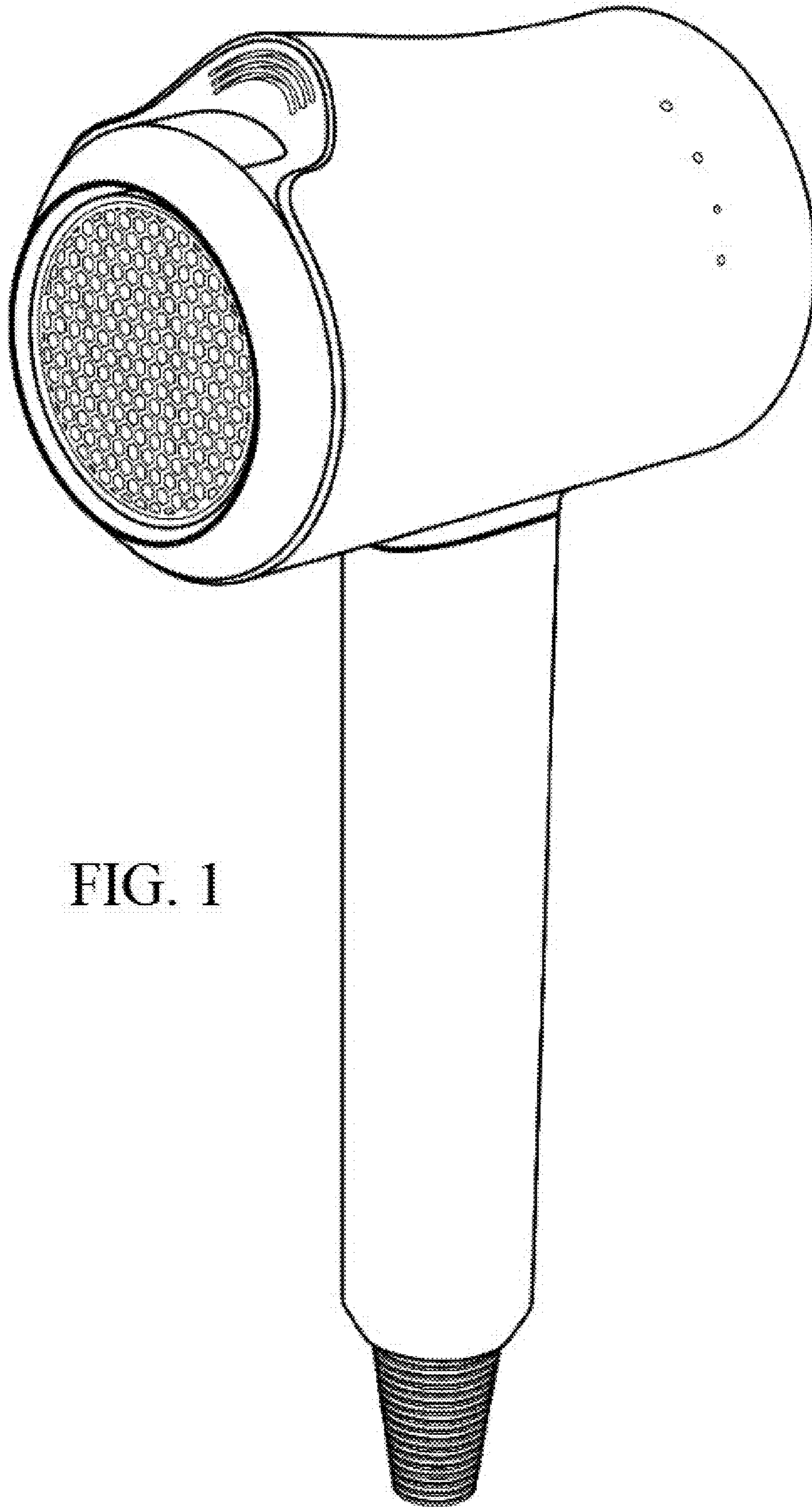


FIG. 1

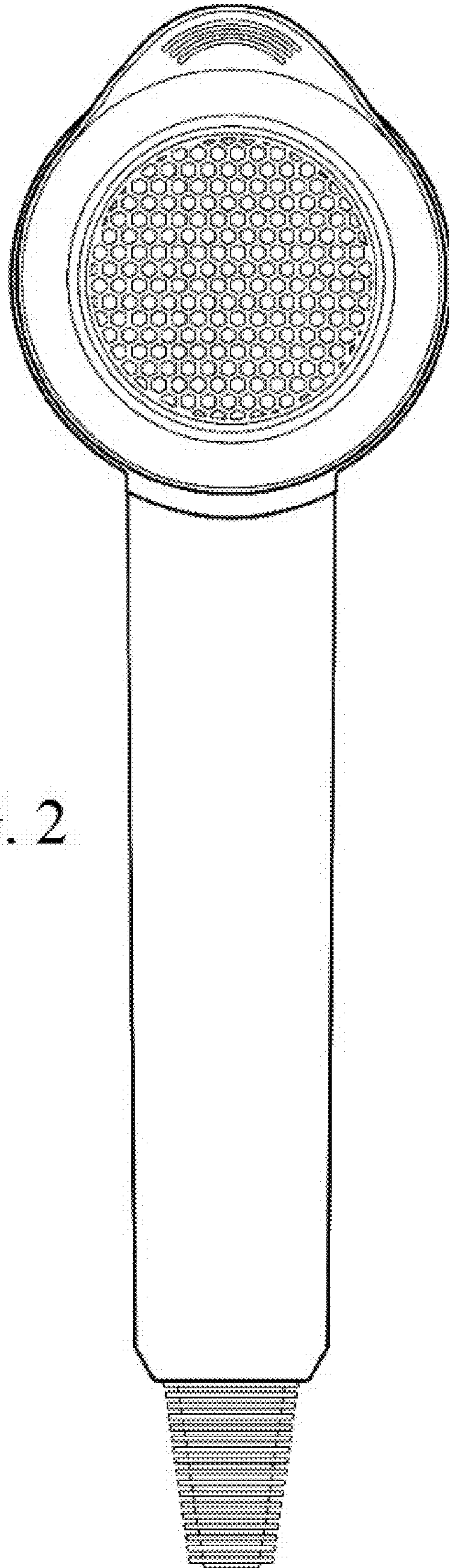


FIG. 2

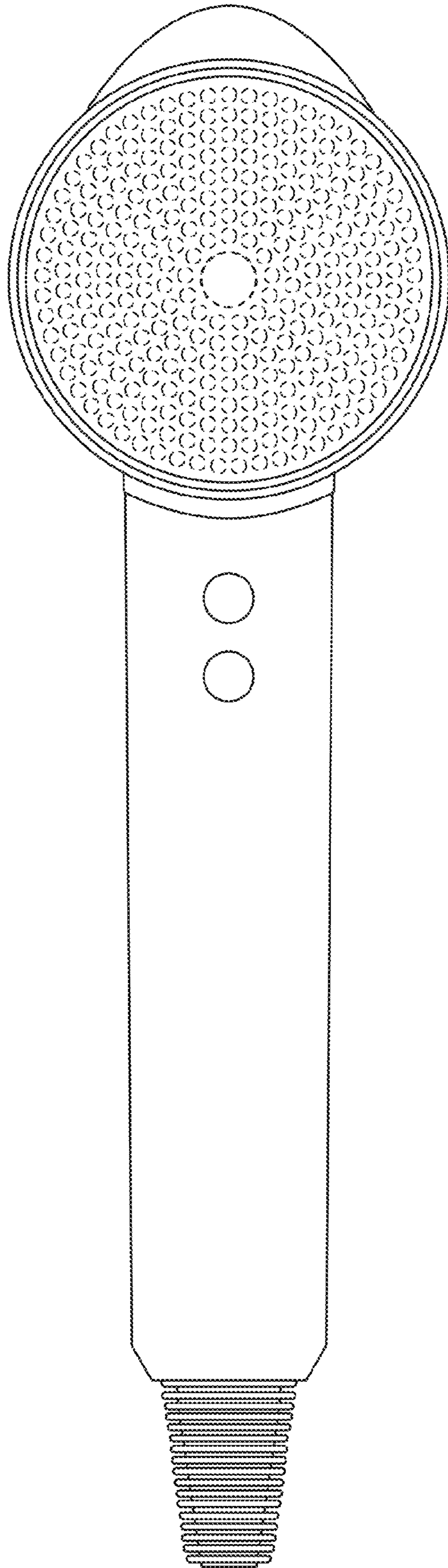


Fig. 3

FIG. 4

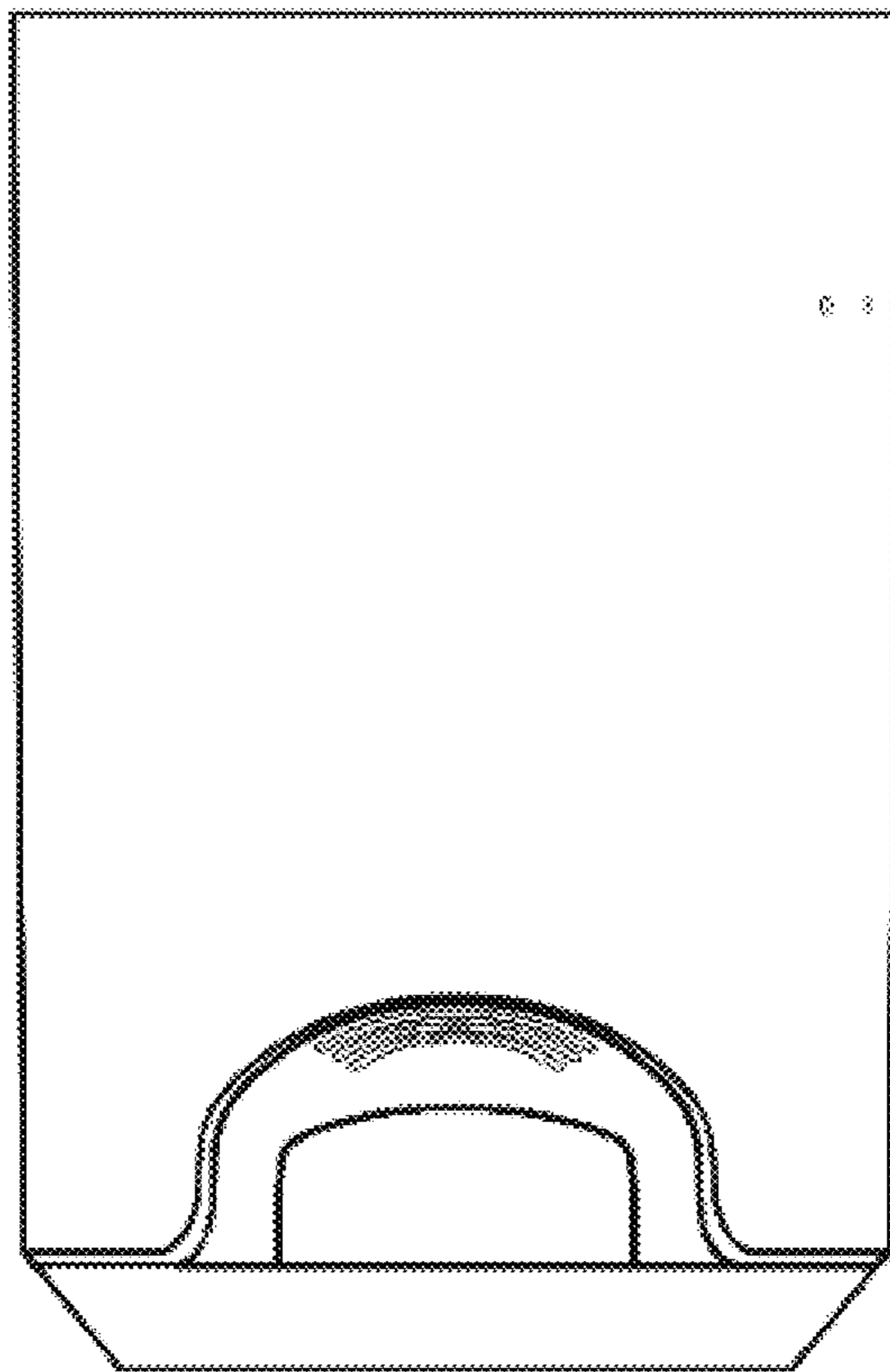
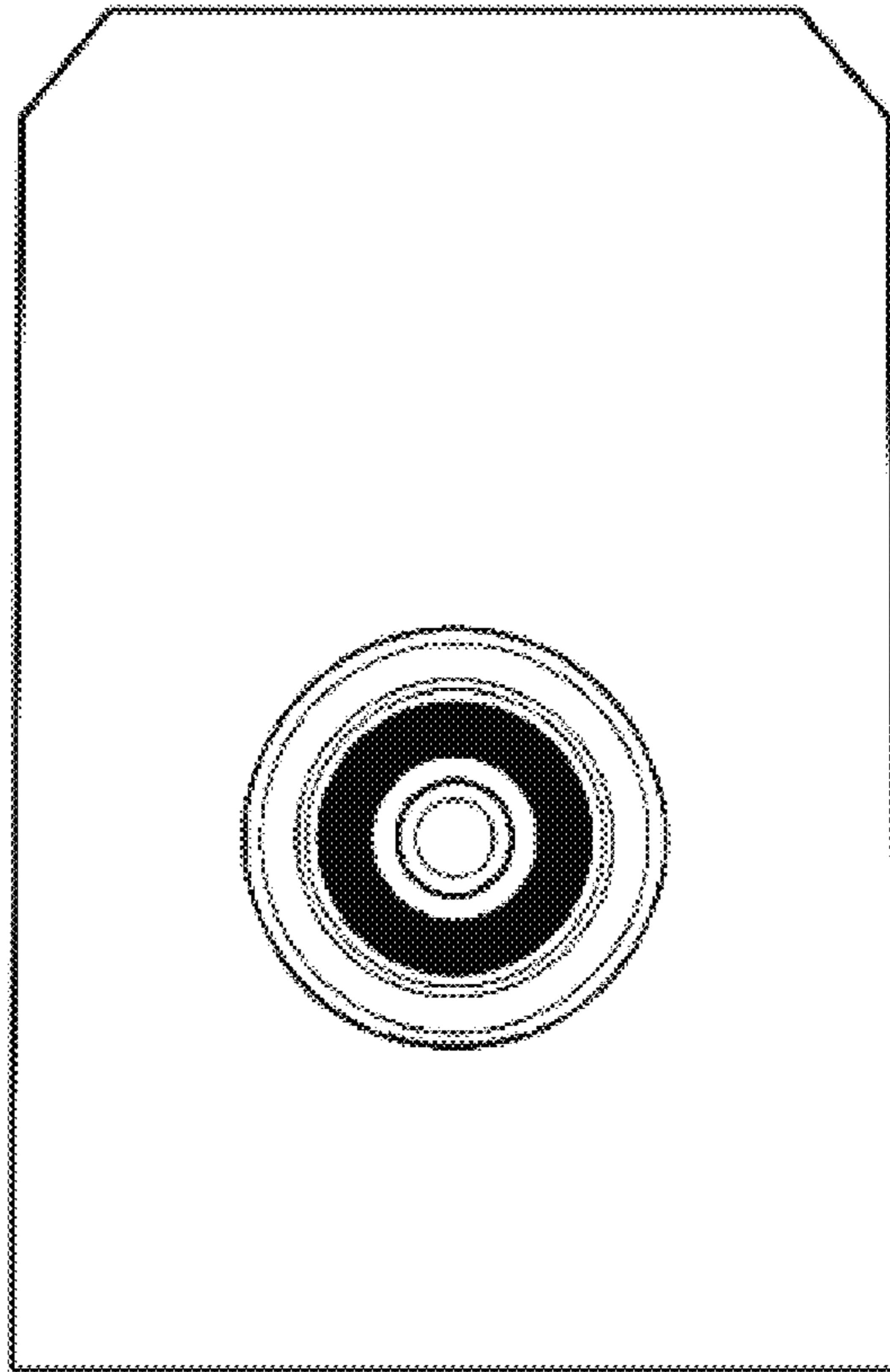


FIG. 5



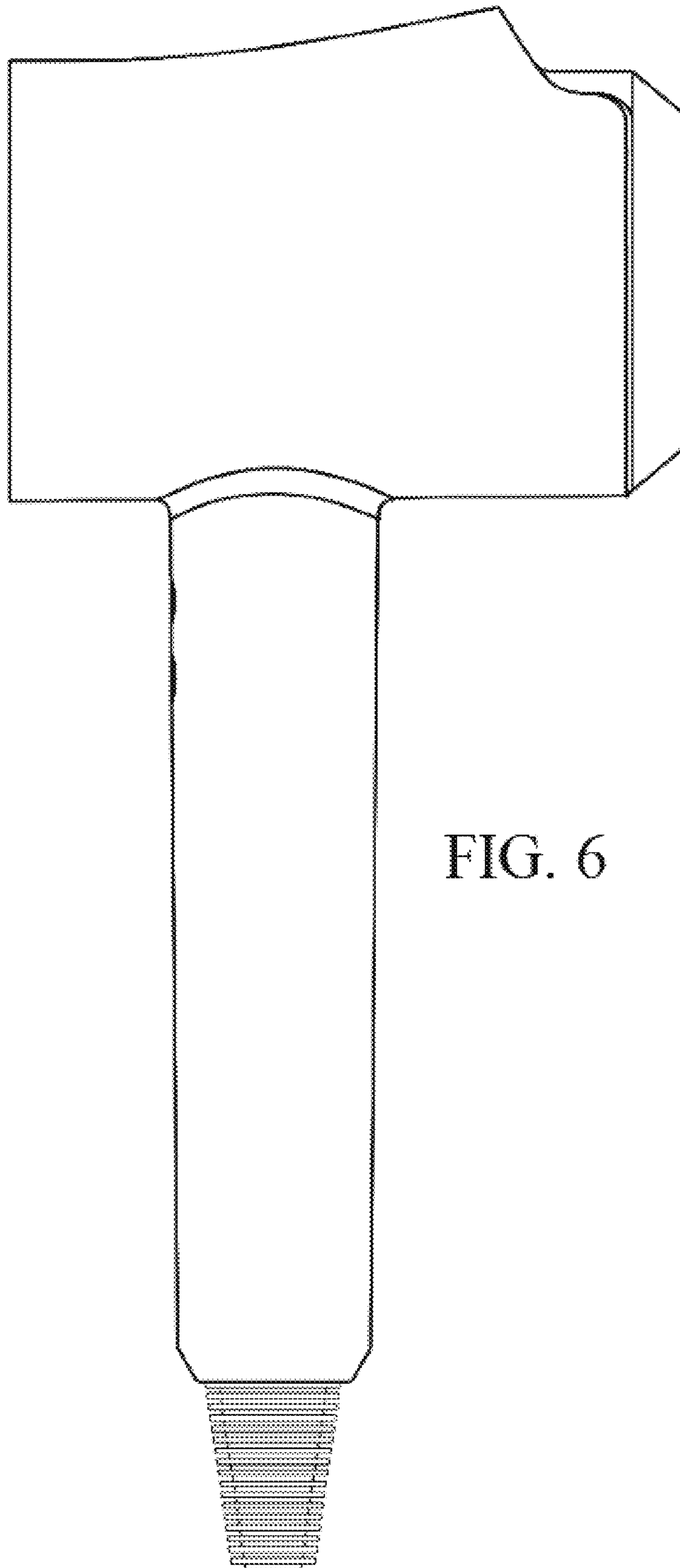


FIG. 6

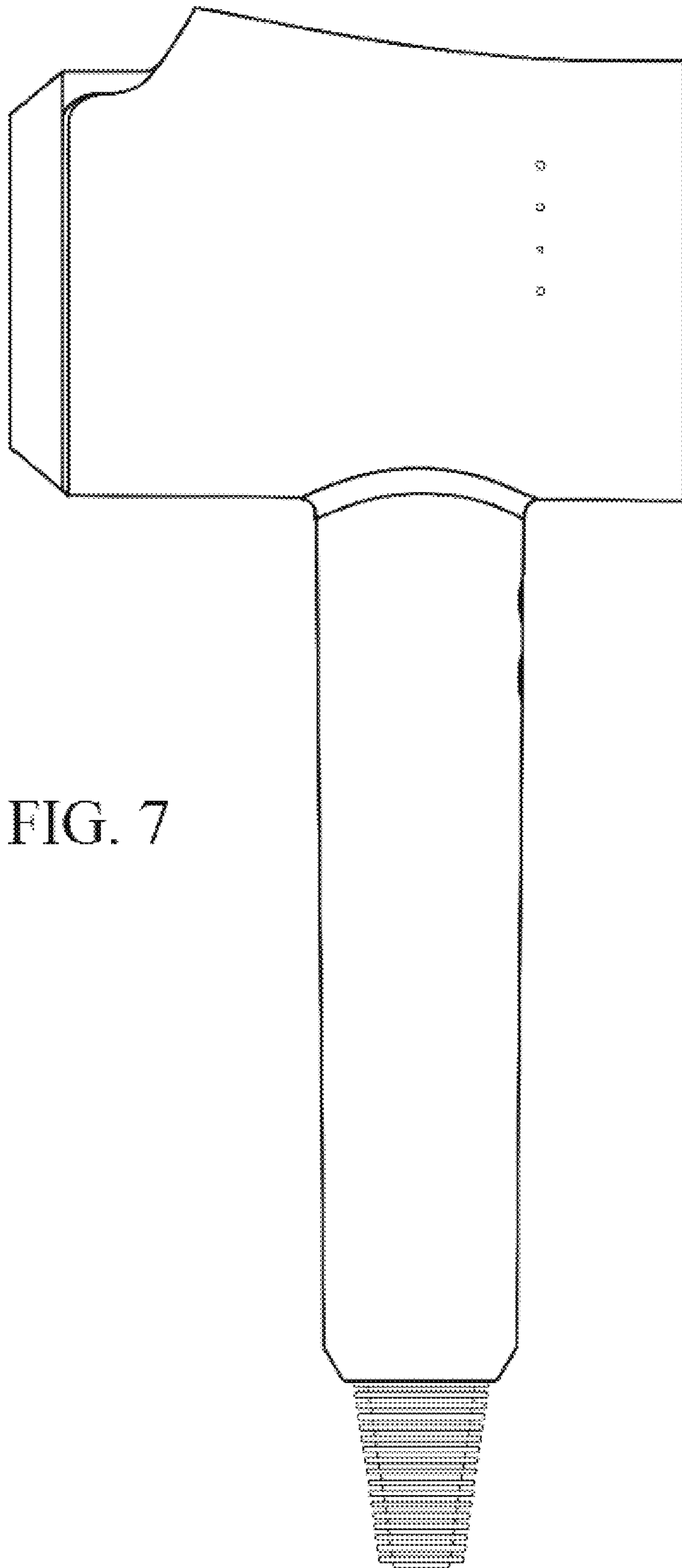


FIG. 7