



US00D891693S

(12) **United States Design Patent**
Godwin, III et al.

(10) **Patent No.:** **US D891,693 S**

(45) **Date of Patent:** **** Jul. 28, 2020**

(54) **COMBINED STORAGE AND CARRYING CASE**

(71) Applicant: **CRED HOLDING COMPANY**, Los Angeles, CA (US)

(72) Inventors: **Edward Bradley Godwin, III**, Riverside, CA (US); **Edward Willis Harmon, IV**, Riverside, CA (US); **Jason Defrancesco**, Aptos, CA (US)

(73) Assignee: **CRED HOLDING COMPANY**, Los Angeles, CA (US)

(**) Term: **15 Years**

(21) Appl. No.: **29/681,936**

(22) Filed: **Feb. 28, 2019**

(51) **LOC (12) Cl.** **27-06**

(52) **U.S. Cl.**
USPC **D27/186**

(58) **Field of Classification Search**
USPC D27/186, 172, 174, 175, 183, 187, 189, D27/194; D3/207, 208, 212; 206/261, 206/236, 242, 216, 581, 37
CPC B65D 85/10; B65D 85/1009; B65D 85/10036; B65D 85/10045; B65D 85/1054; B65D 85/1036; B65D 85/12; B65D 85/00; B65D 81/02; B65D 81/022; B65D 81/133; A45C 11/00; A45C 11/04
See application file for complete search history.

(56) **References Cited**

U.S. PATENT DOCUMENTS

D54,979 S * 4/1920 Blackmarr D27/184
2,112,801 A * 3/1938 Zint A24F 15/20
206/253
D142,511 S * 10/1945 Beveridge D27/189
D550,108 S * 9/2007 Kesselman D10/91
D572,057 S * 7/2008 Lledo D6/515

D665,273 S * 8/2012 Castelletti D9/758
D693,054 S * 11/2013 Verleur D27/189
10,238,142 B1 * 3/2019 Haddad G06Q 10/00
D863,677 S * 10/2019 Chung D27/172
2015/0272212 A1 * 10/2015 Fabregas Pedrell .. A24F 15/005
700/236

* cited by examiner

Primary Examiner — Marissa J Cash

Assistant Examiner — Rebecca Tsehaye

(74) *Attorney, Agent, or Firm* — Flener IP & Business Law; Zareefa B. Flener; Ayhan E. Mertogul

(57) **CLAIM**

The ornamental design for a combined storage and carrying case, as shown and described.

DESCRIPTION

FIG. 1 is a perspective view of a combined storage and carrying case showing our new design in a closed configuration;

FIG. 2 is a right side view of the design of FIG. 1;

FIG. 3 is a left side view of the design of FIG. 1;

FIG. 4 is a front elevational view of the design of FIG. 1;

FIG. 5 is a back elevational view of the design of FIG. 1;

FIG. 6 is a top plan view of the design of FIG. 1;

FIG. 7 is bottom view of the design of FIG. 1;

FIG. 8 is a perspective view of a combined storage and carrying case showing our new design in an open configuration;

FIG. 9 is a left side view of the design of FIG. 8;

FIG. 10 is a right side view of the design of FIG. 8;

FIG. 11 is a front elevational view of the design of FIG. 8;

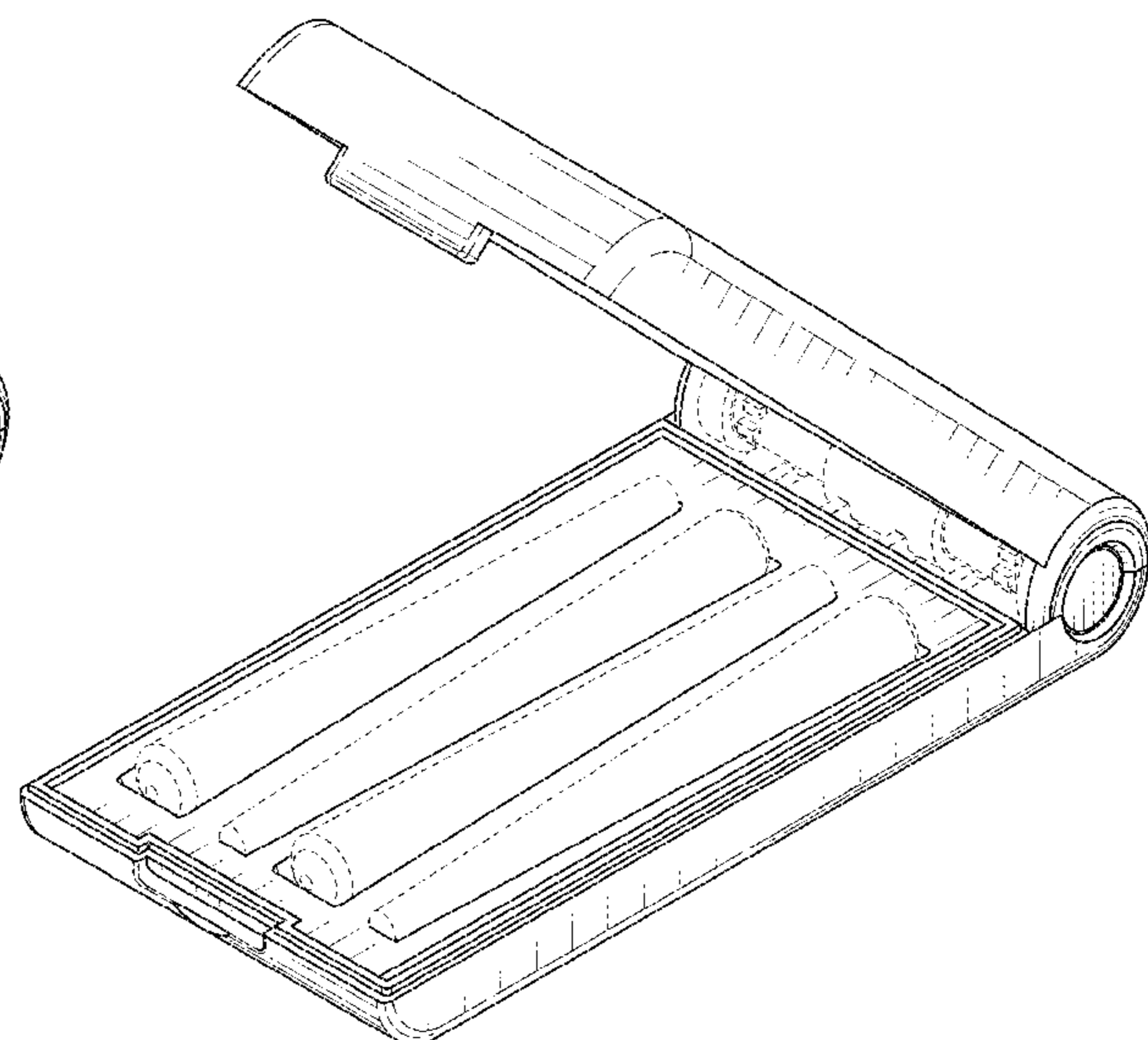
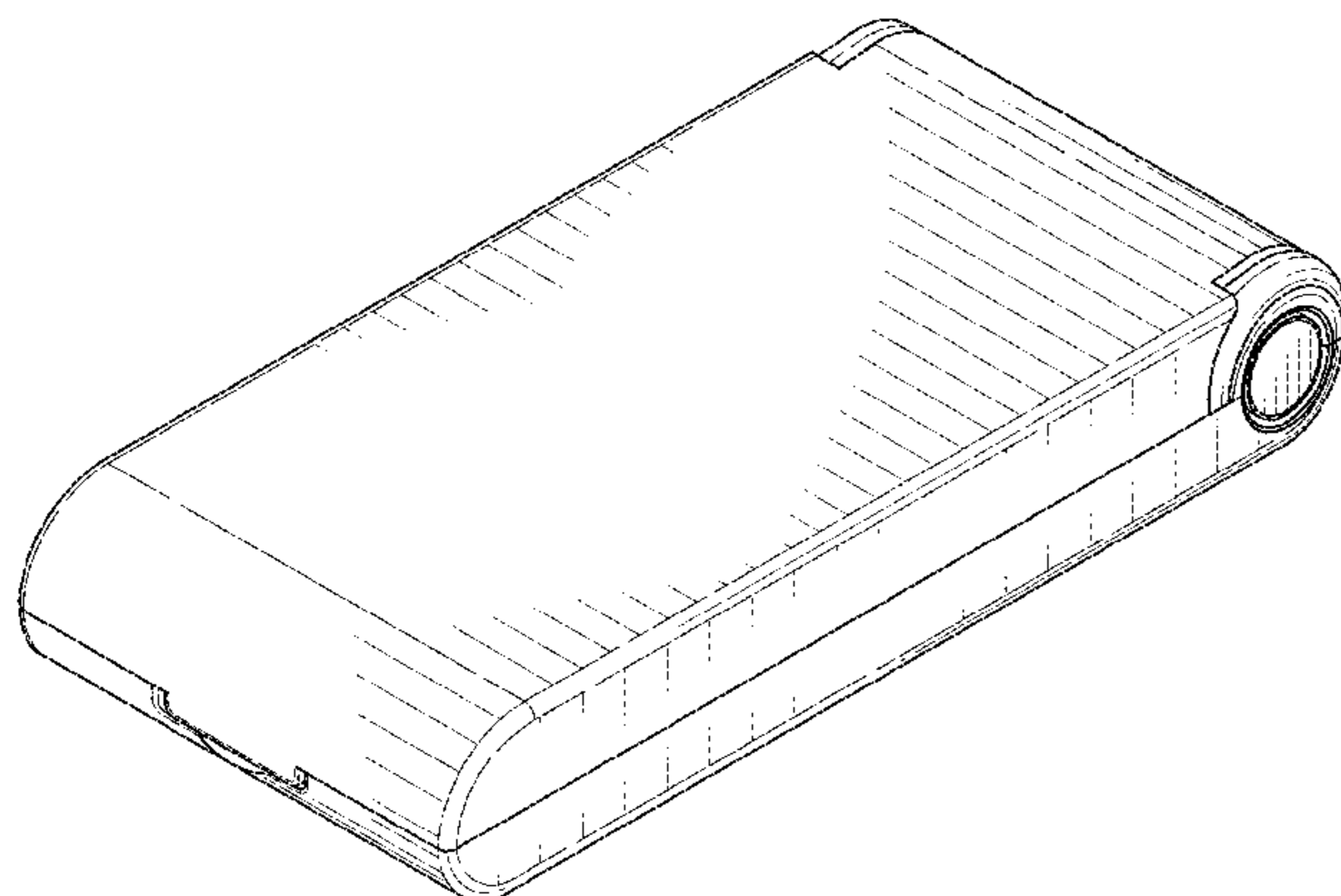
FIG. 12 is a back elevational view of the design of FIG. 8;

FIG. 13 is a top plan view of the design of FIG. 8; and,

FIG. 14 is bottom view of the design of FIG. 8.

The broken lines in the drawings depict portions of the combined storage and carrying case that form no part of the claim.

1 Claim, 8 Drawing Sheets



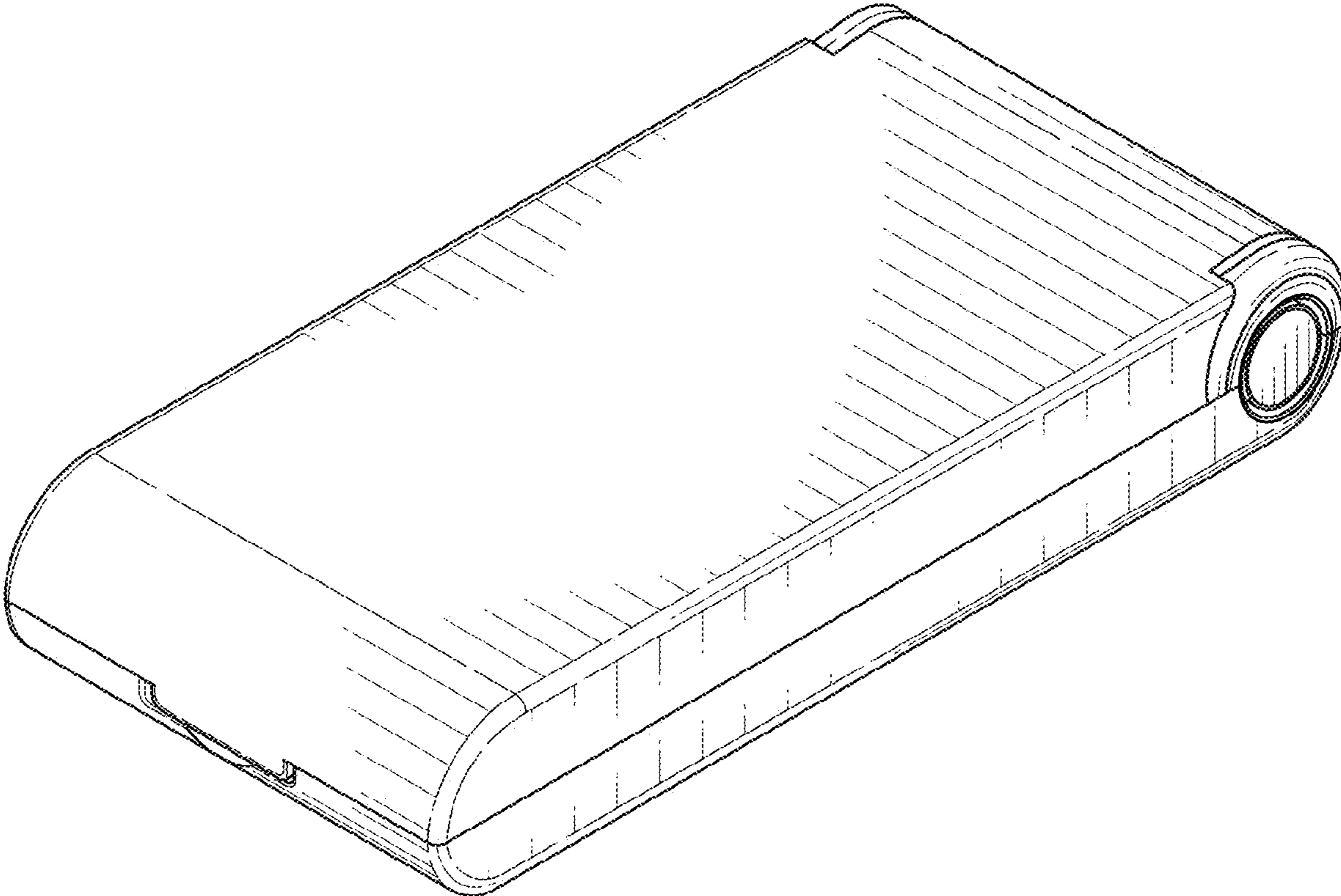


FIG. 1

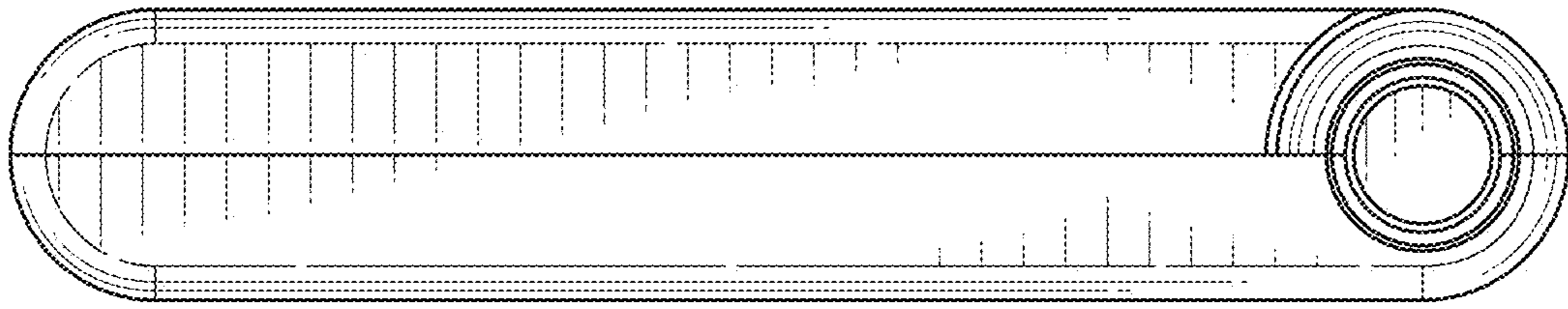


FIG. 2

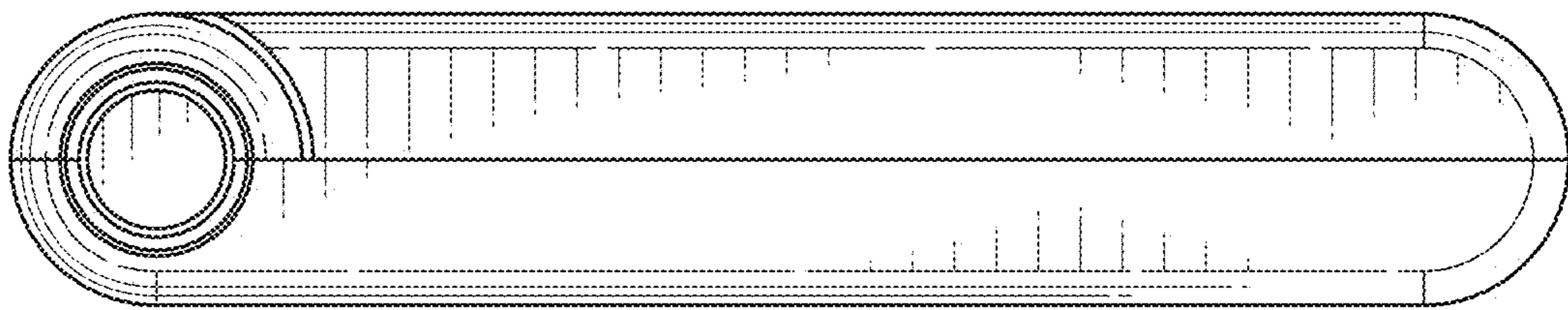


FIG. 3

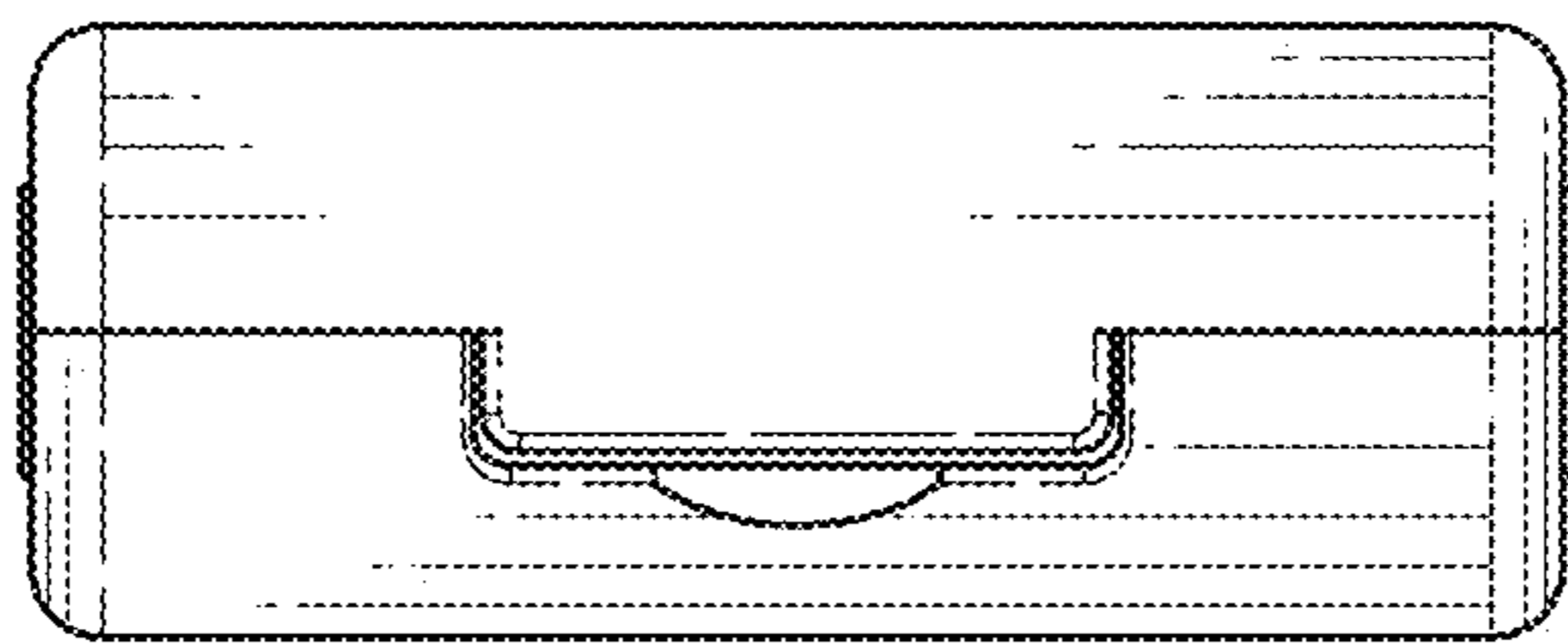


FIG. 4

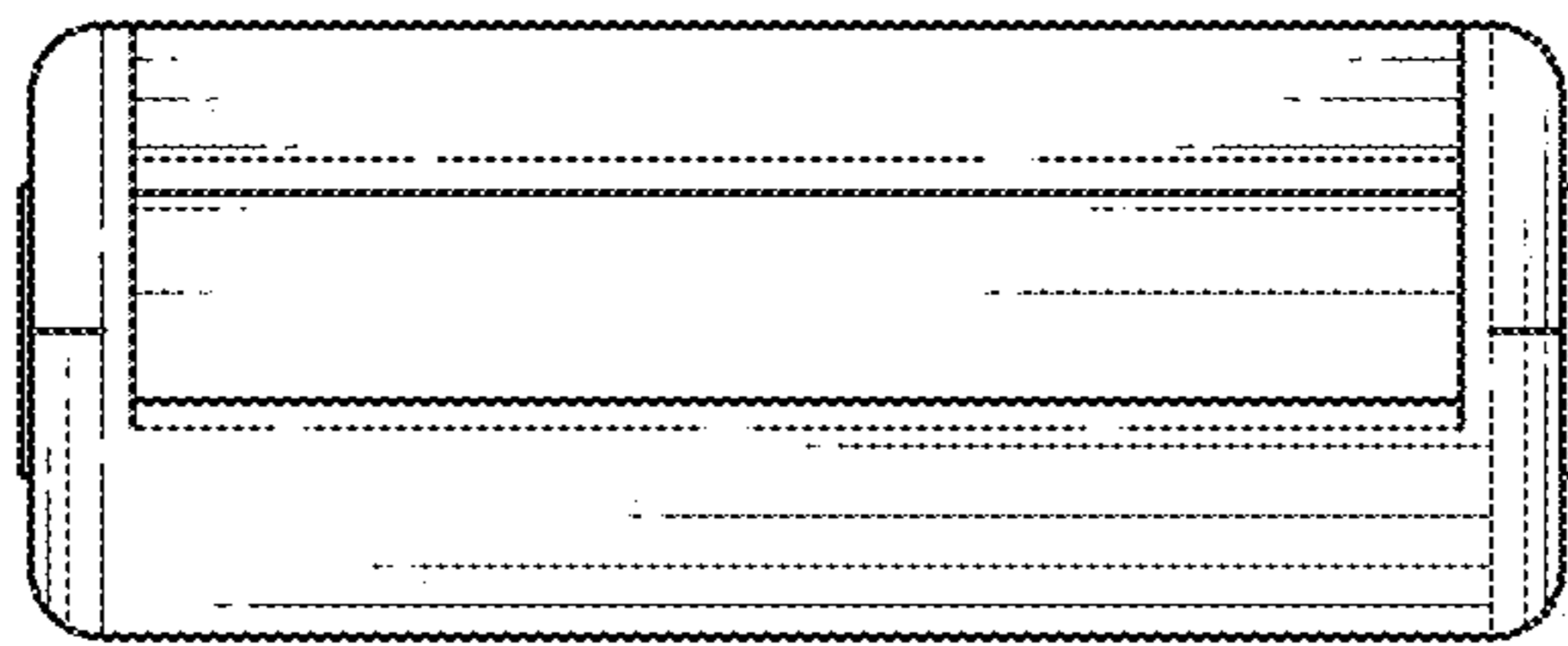


FIG. 5

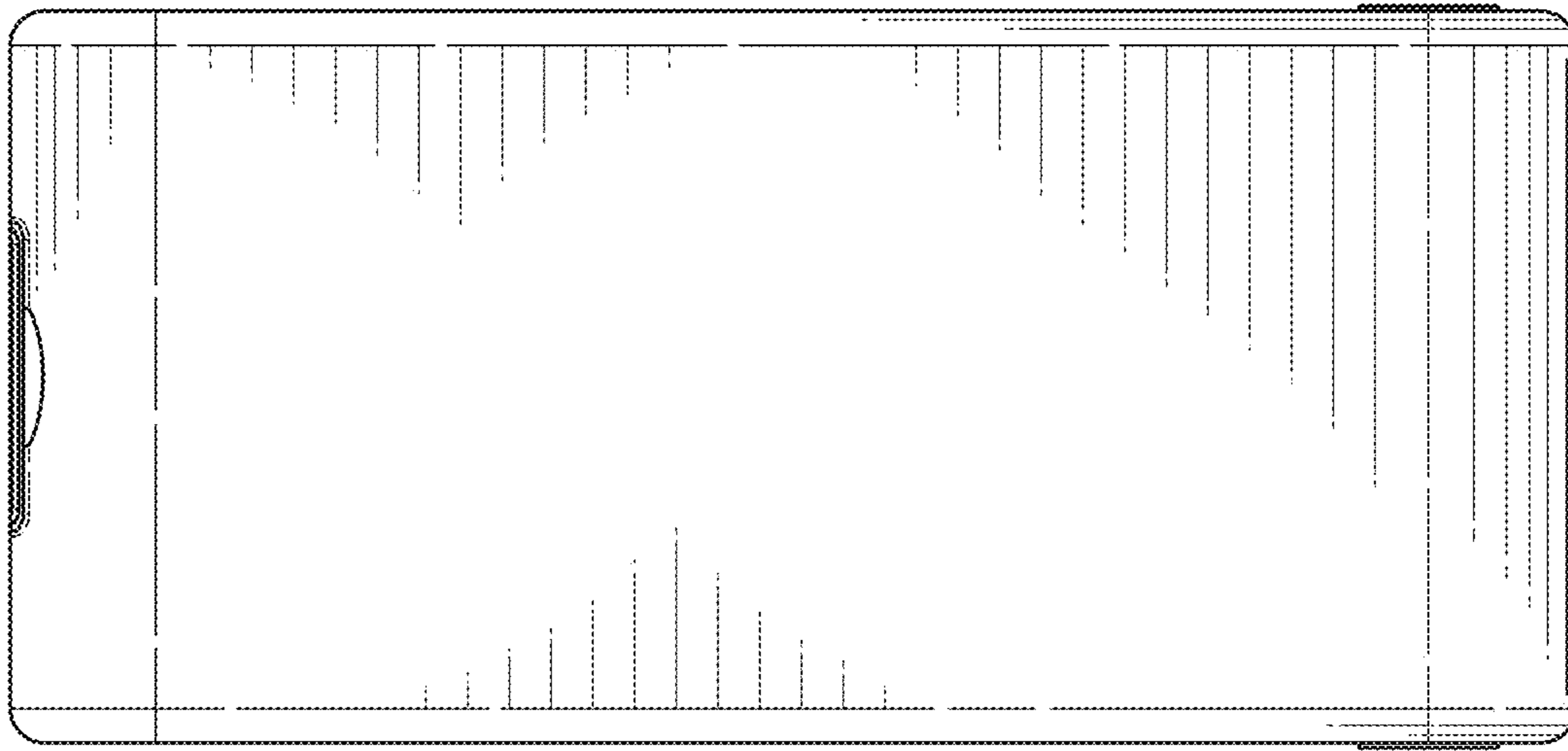


FIG. 6

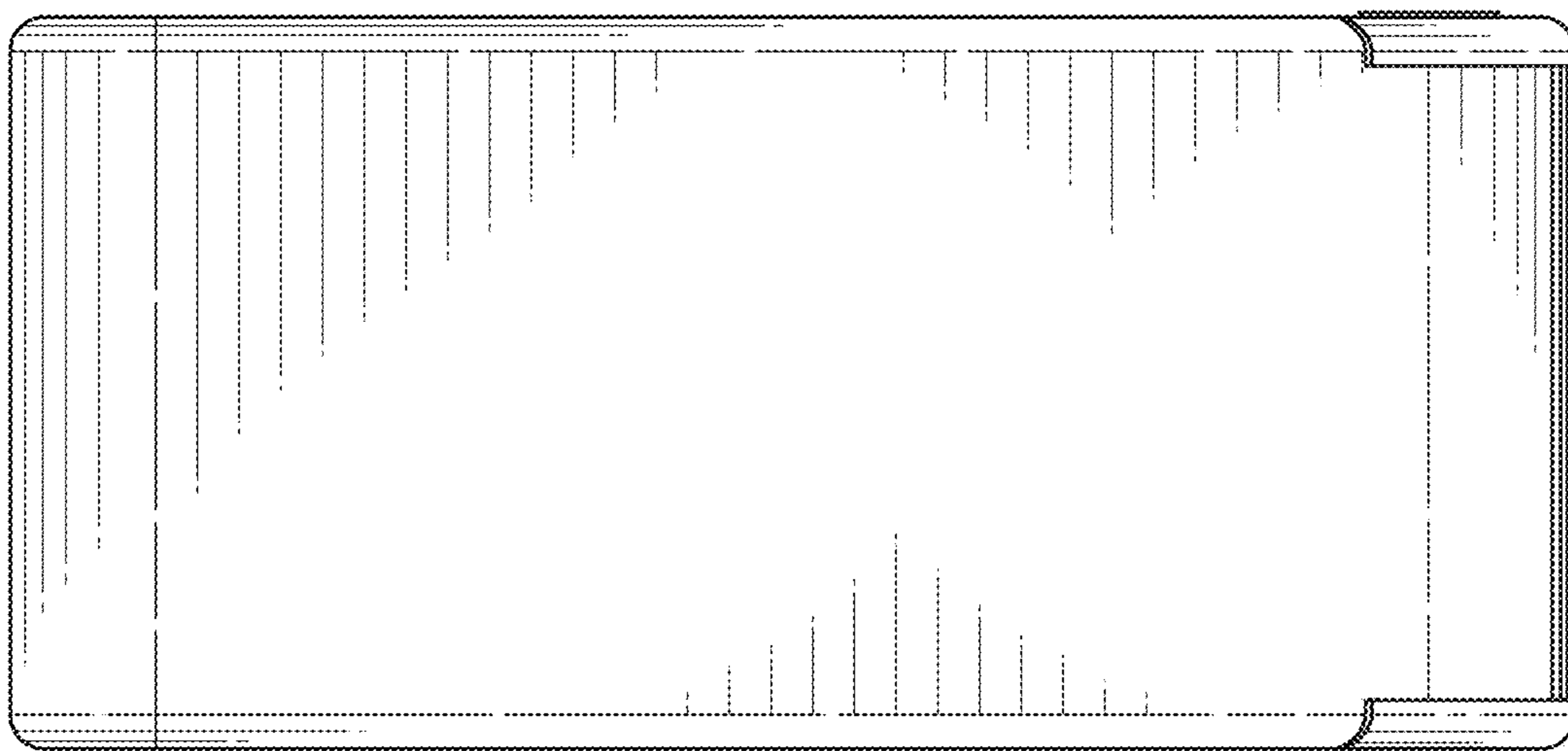


FIG. 7

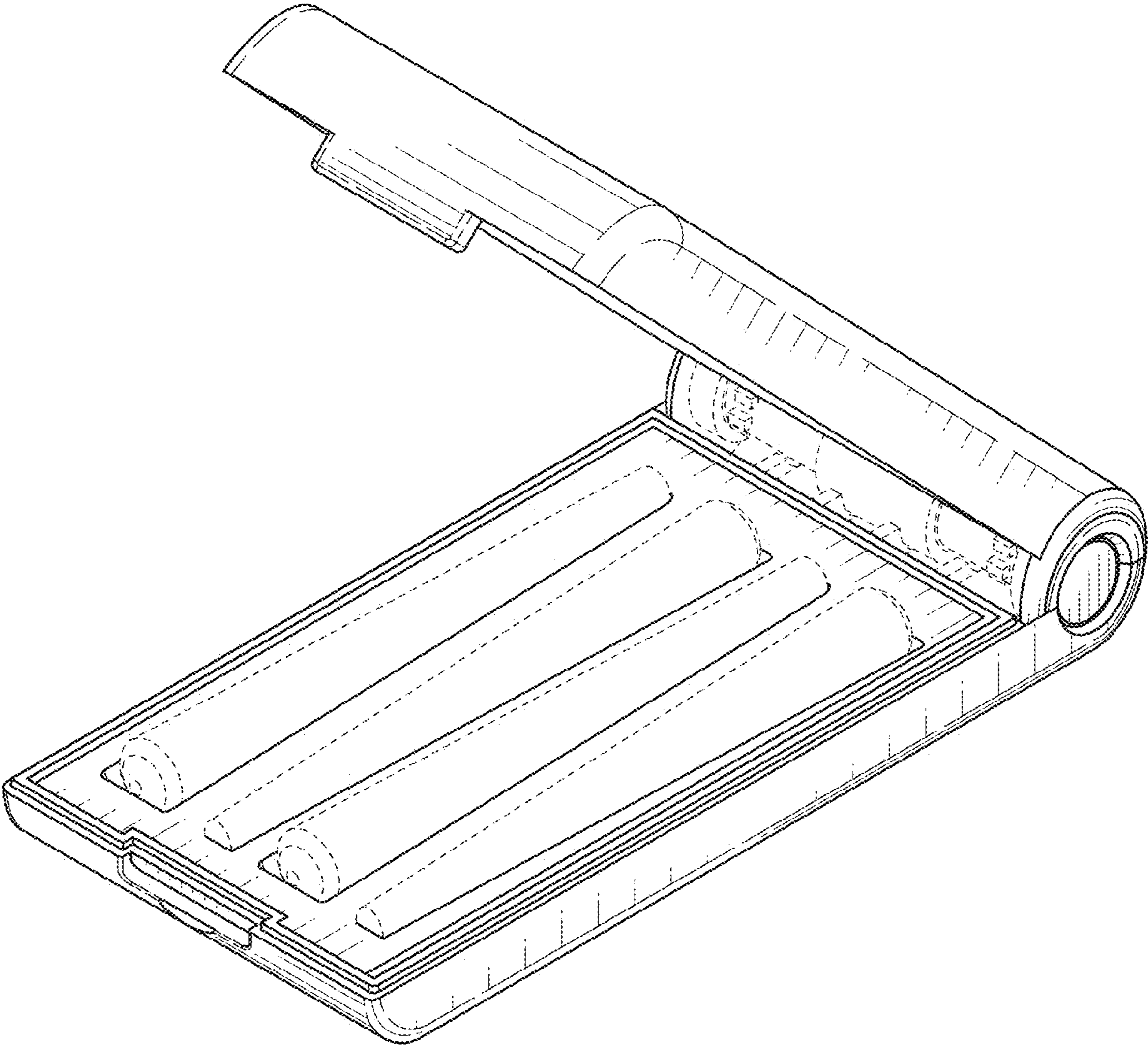


FIG. 8

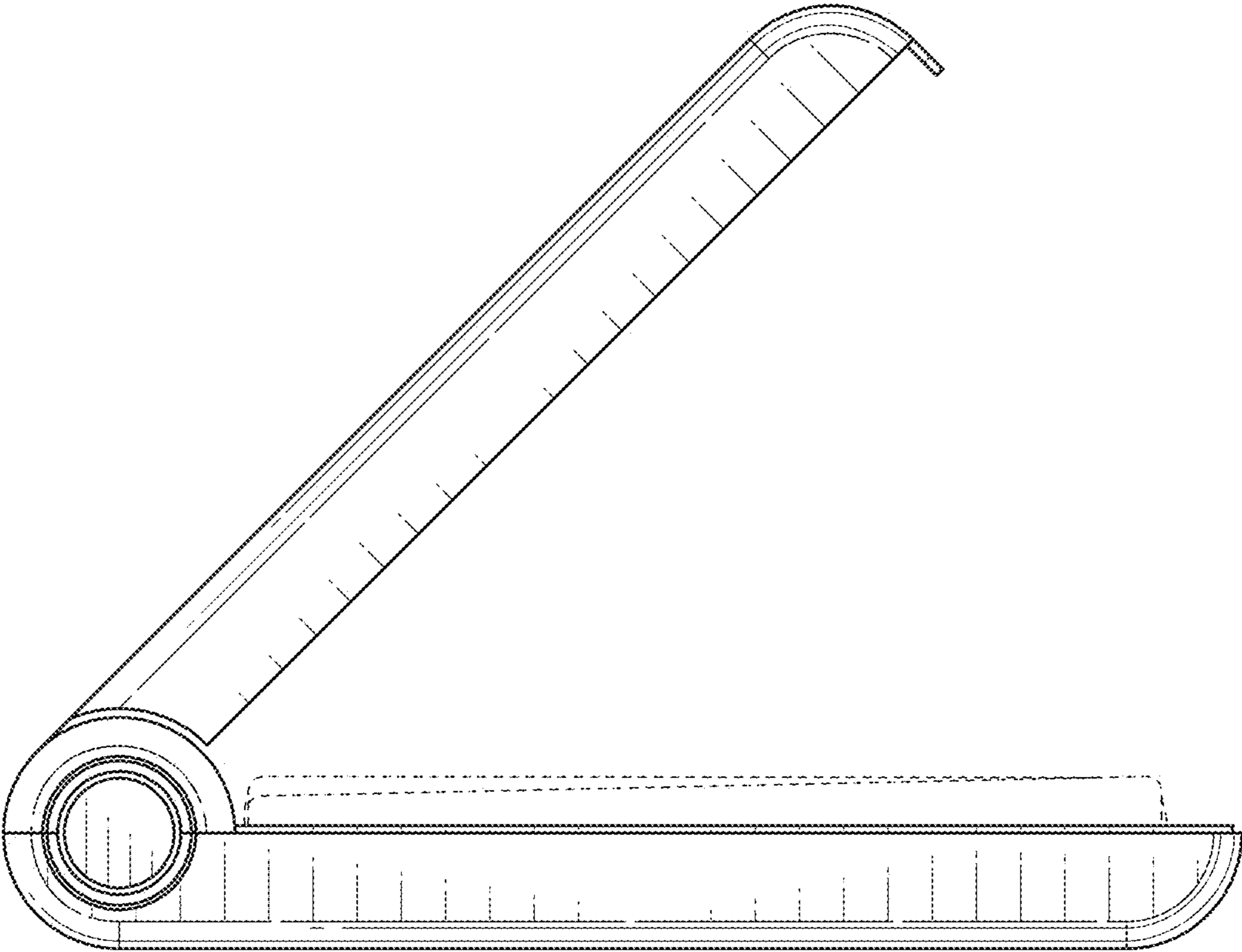


FIG. 9

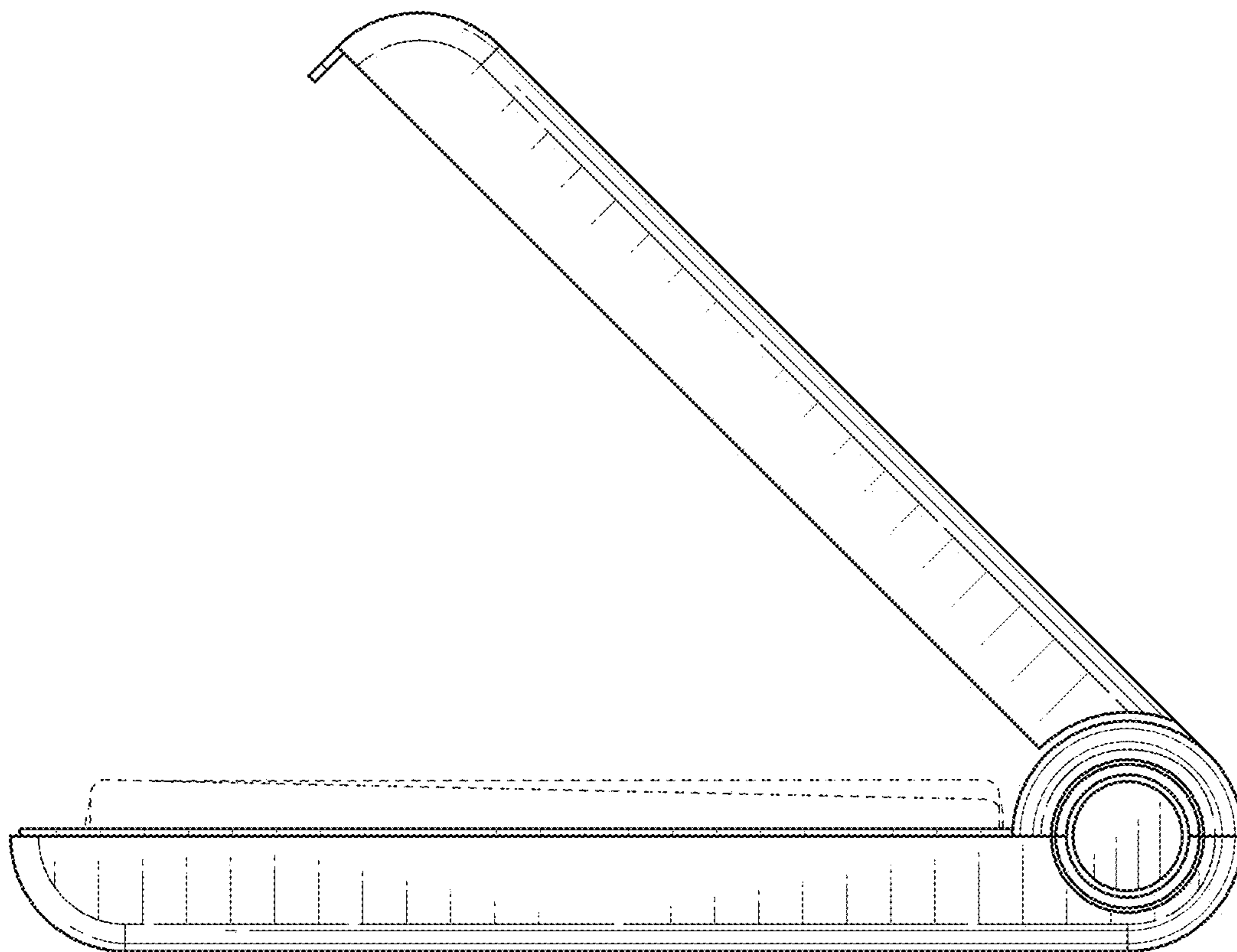


FIG. 10

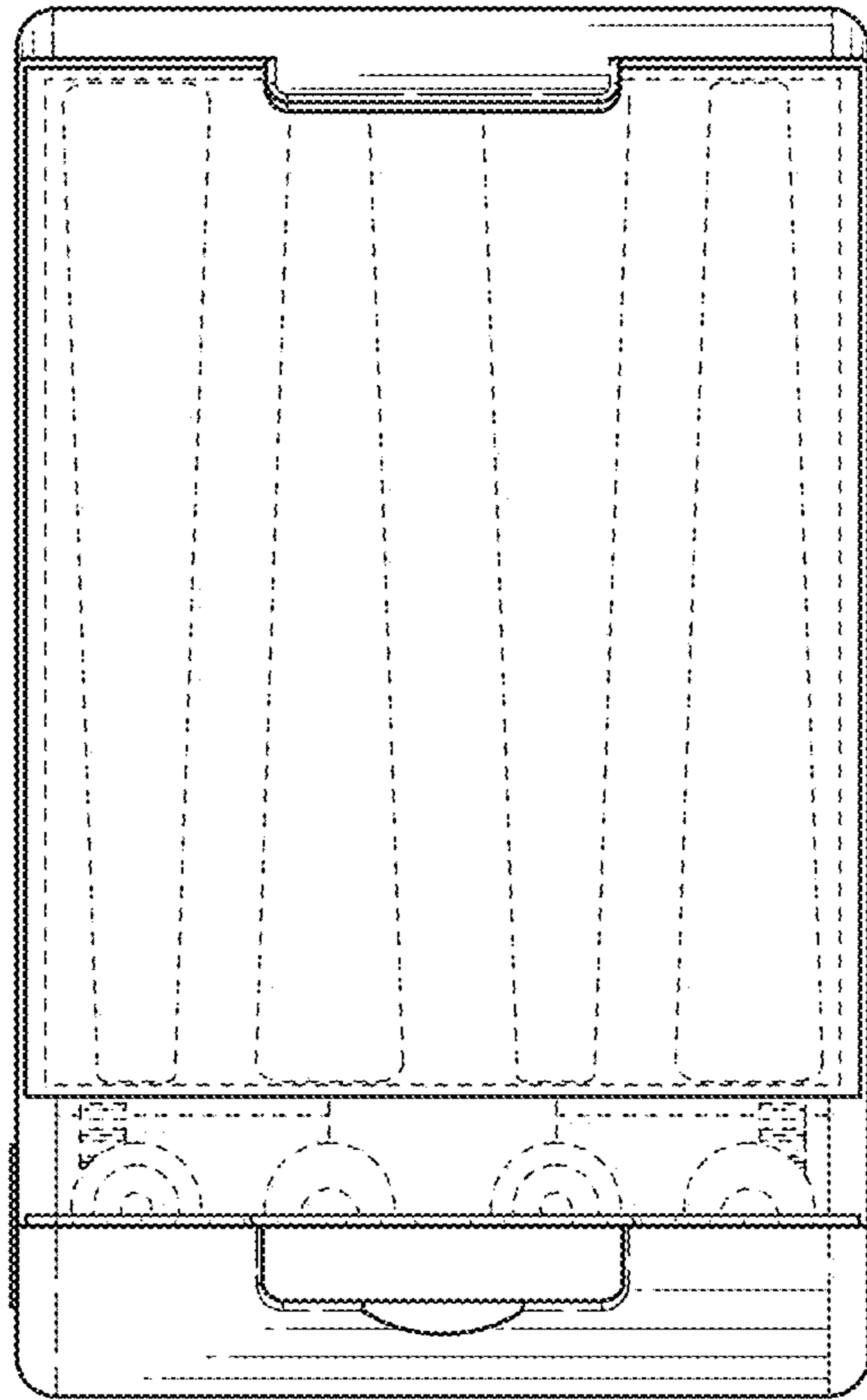


FIG. 11

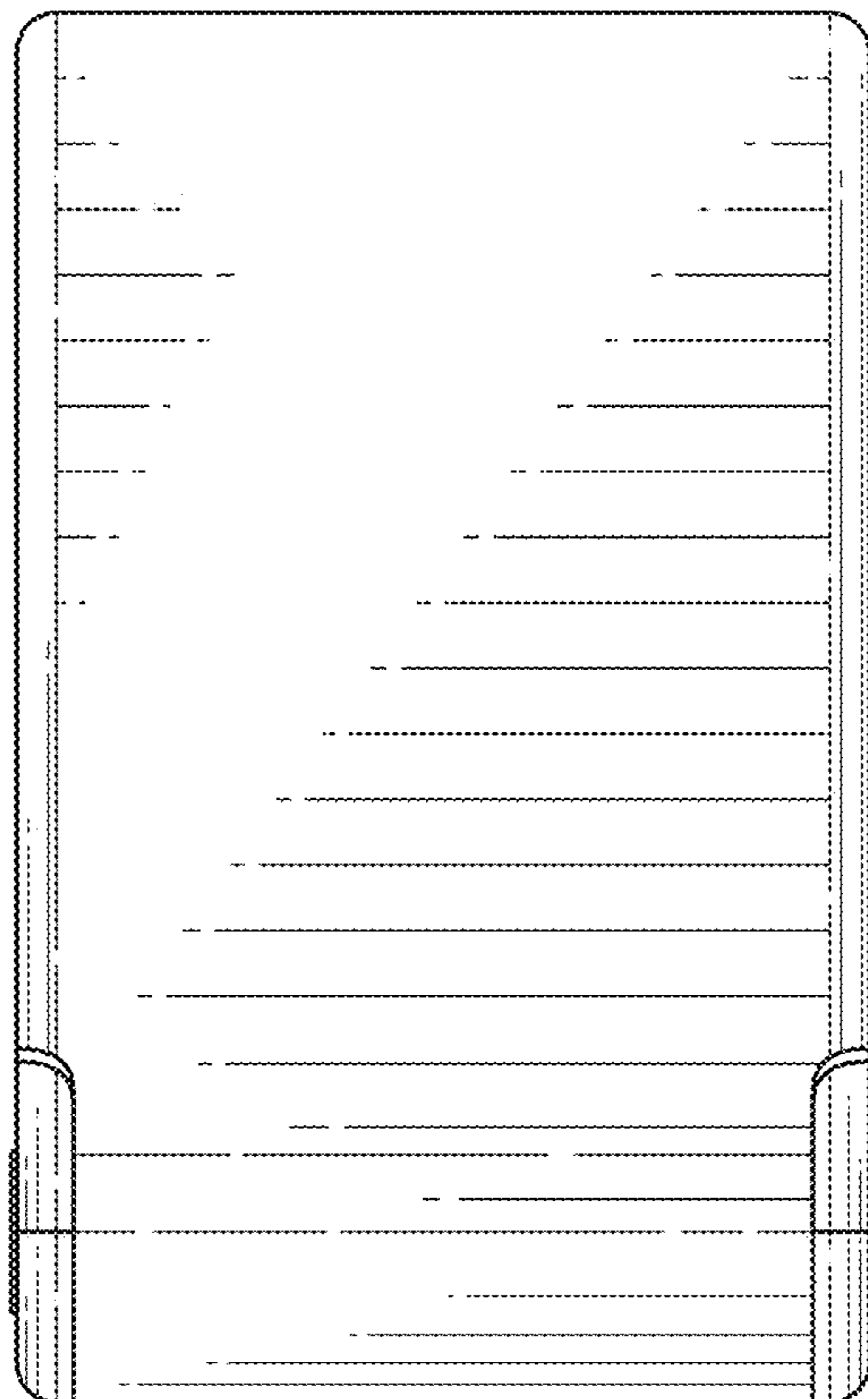


FIG. 12

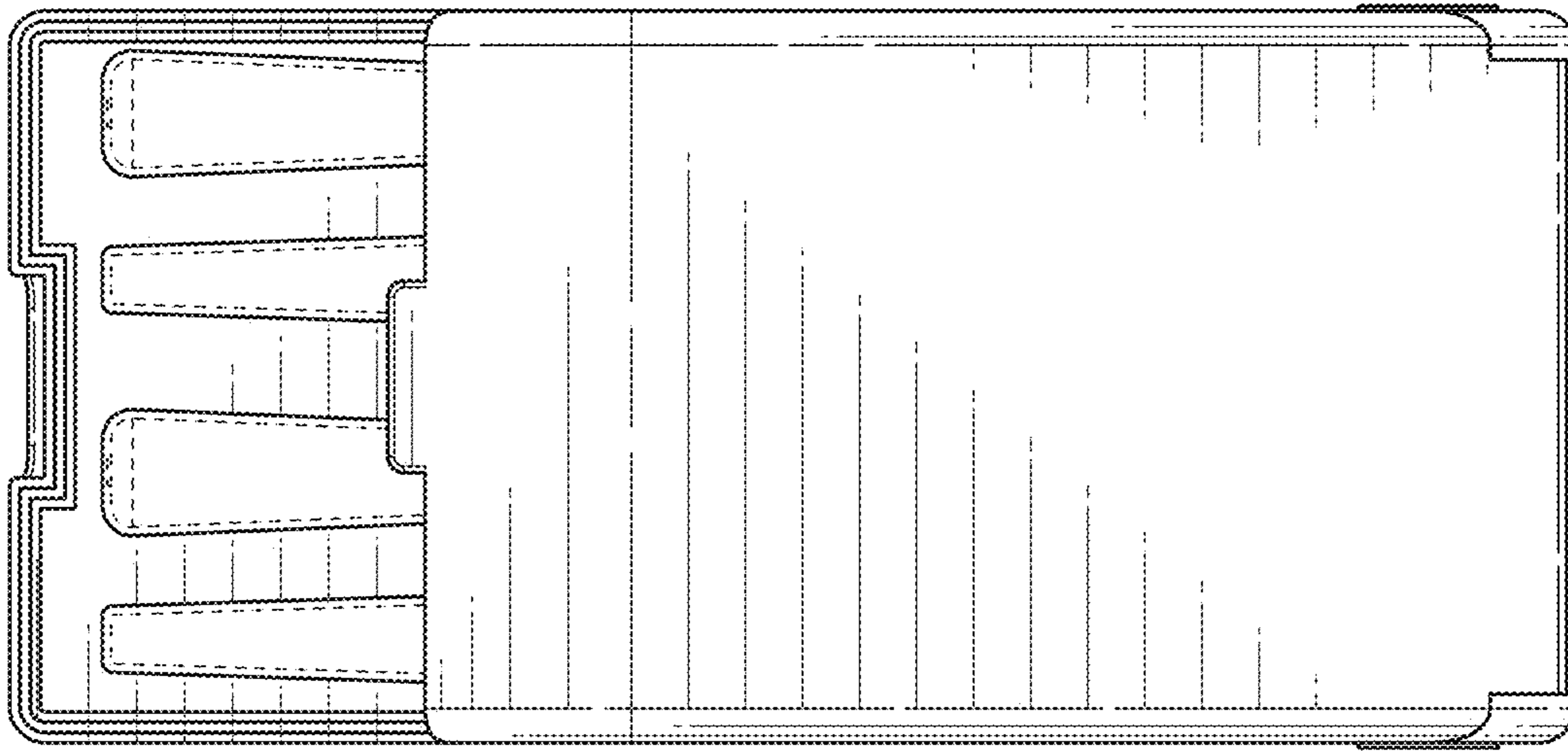


FIG. 13

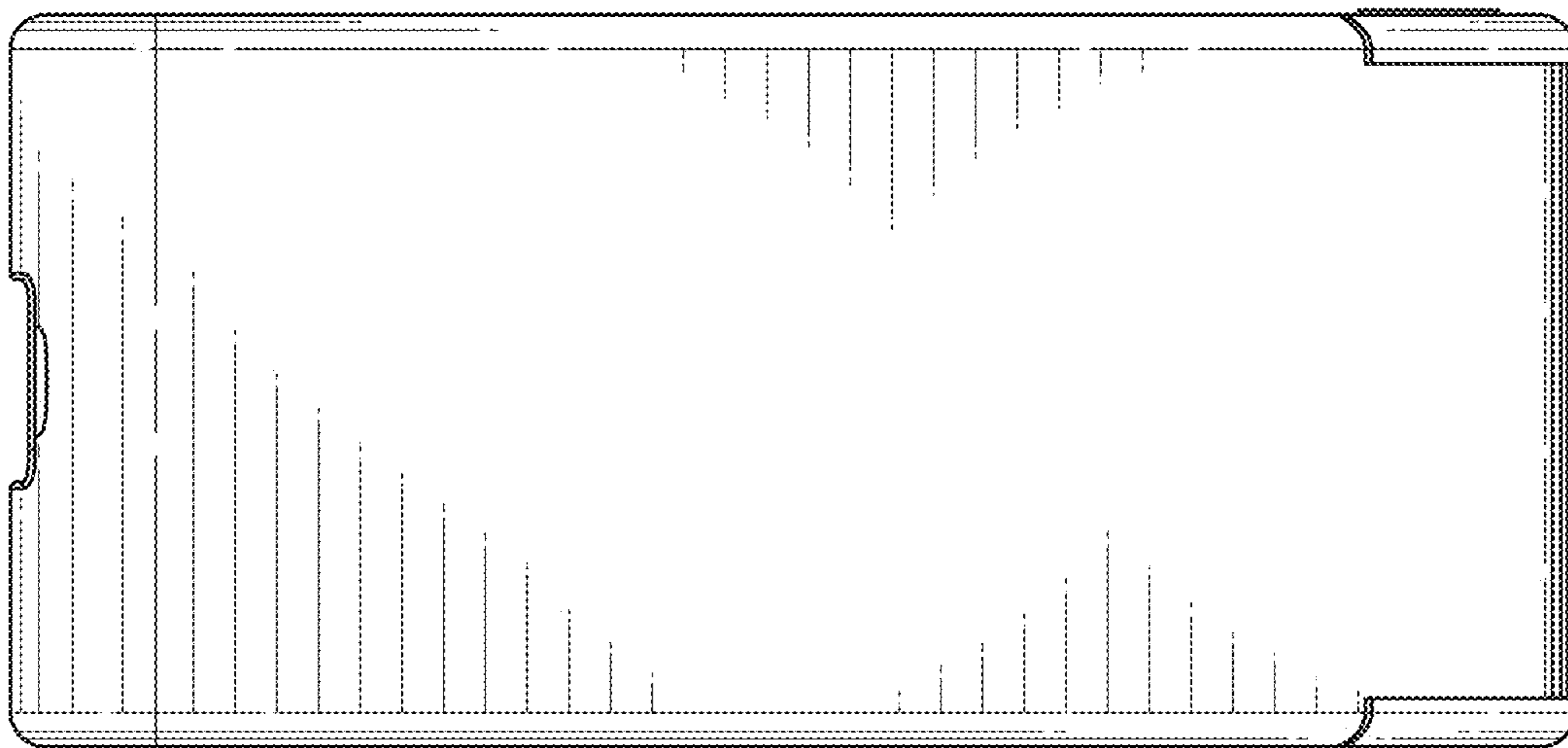


FIG. 14