



US00D891692S

(12) **United States Design Patent** (10) **Patent No.:** **US D891,692 S**
Barbaric et al. (45) **Date of Patent:** **** Jul. 28, 2020**

- (54) **VAPORIZER**
- (71) Applicant: **Airgraft Inc.**, Montreal (CA)
- (72) Inventors: **Mladen Barbaric**, Quebec (CA); **Kisae Kim**, Quebec (CA); **Sungmoon Kim**, Quebec (CA); **Bong Geun Kim**, Quebec (CA)
- (73) Assignee: **Airgraft Inc.**, Montreal (CA)
- (**) Term: **15 Years**
- (21) Appl. No.: **29/666,817**
- (22) Filed: **Oct. 16, 2018**
- (51) **LOC (12) Cl.** **27-02**
- (52) **U.S. Cl.**
USPC **D27/162**
- (58) **Field of Classification Search**
USPC D27/162, 100, 101, 106, 108, 163–165,
D27/172, 183, 185–192, 194; D24/110,
D24/110.5; 128/202.21, 203.12;
131/273, 270, 191, 329, 330, 360–365
CPC A24F 9/00; A24F 47/002; A24F 47/004;
A24F 47/006; A24F 47/008; A61M 15/06
See application file for complete search history.

D683,844 S 6/2013 Andrade et al.
D689,818 S 9/2013 Sasada
8,733,346 B2 5/2014 Rinker
(Continued)

FOREIGN PATENT DOCUMENTS

CN 105962427 A 9/2016
CN 304796857 S 8/2018
(Continued)

OTHER PUBLICATIONS

<https://www.whicksnwhacks.com/slant-top-oval-pillar-candle-mould-2325-p.asp> (Mar. 8, 2020).*
(Continued)

Primary Examiner — Marissa J Cash
Assistant Examiner — Rebecca Tsehaye
(74) *Attorney, Agent, or Firm* — Cooley LLP

(57) **CLAIM**

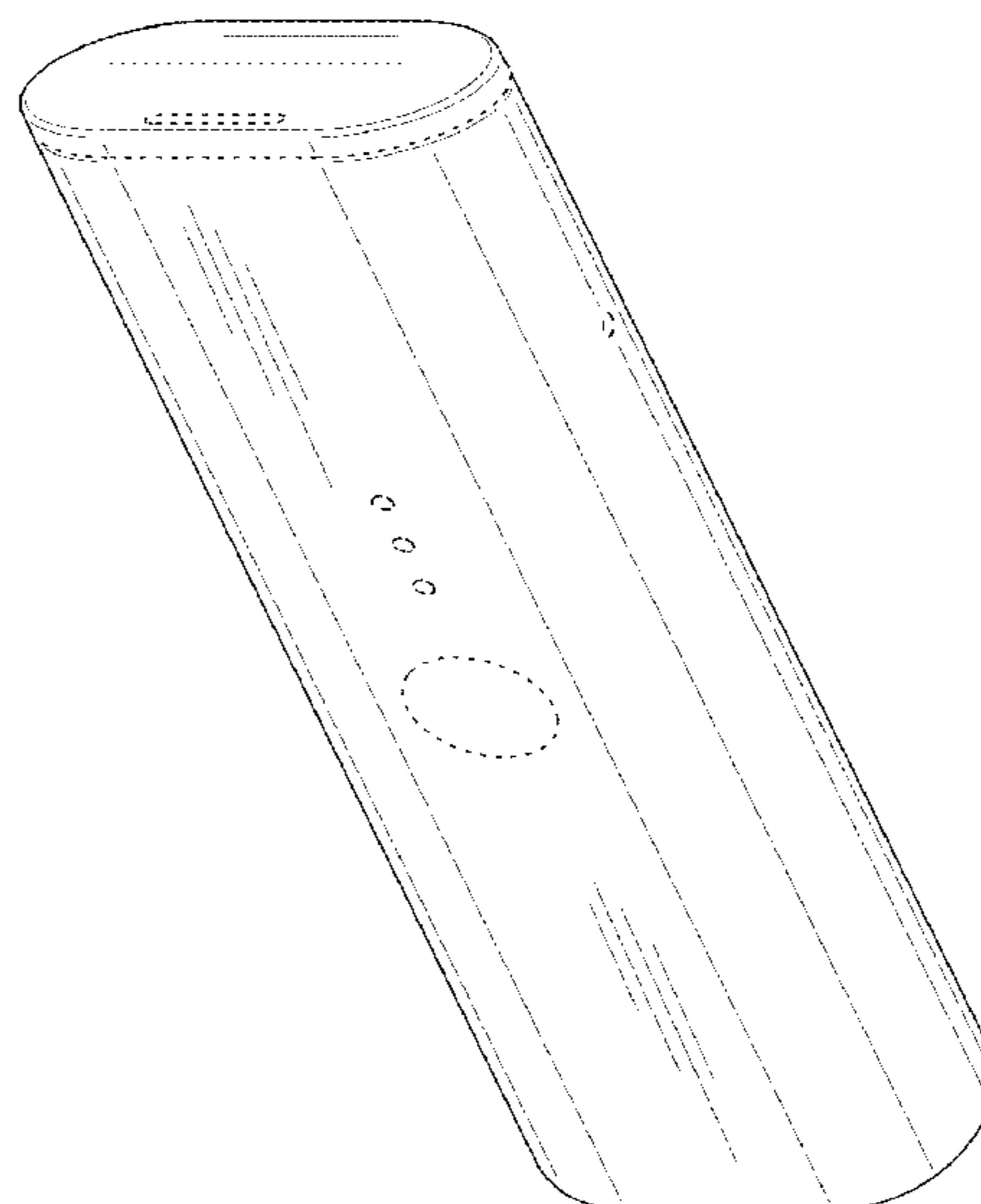
The ornamental design for a vaporizer, as shown and described.

DESCRIPTION

FIG. 1 is a perspective view of a first embodiment of the vaporizer;
FIG. 2 is a back view thereof;
FIG. 3 is a front view thereof;
FIG. 4 is a right side view thereof;
FIG. 5 is a left side view thereof;
FIG. 6 is a top view thereof; and,
FIG. 7 is a bottom view thereof.
The broken lines immediately adjacent the shaded areas represent the bounds of the claimed design while all other broken lines are directed to environment and are for illustrative purposes only; the broken lines form no part of the claimed design.

1 Claim, 4 Drawing Sheets

- (56) **References Cited**
U.S. PATENT DOCUMENTS
- D299,066 S 12/1988 Newell et al.
- 4,947,874 A 8/1990 Brooks et al.
- 5,044,550 A 9/1991 Lamm
- 5,135,009 A 8/1992 Muller et al.
- 5,564,442 A 10/1996 MacDonald et al.
- D449,404 S 10/2001 Emery
- 6,513,524 B1 2/2003 Storz
- 6,532,965 B1 3/2003 Abhulimen et al.
- D610,303 S 2/2010 Valle
- 7,832,410 B2 11/2010 Hon
- D634,892 S 3/2011 Hein
- 7,997,280 B2 8/2011 Rosenthal
- D677,000 S 2/2013 Liu



(56)

References Cited

U.S. PATENT DOCUMENTS

8,897,628 B2 11/2014 Conley et al.
 8,991,402 B2 3/2015 Bowen et al.
 D728,855 S * 5/2015 Liu D27/163
 D736,455 S * 8/2015 Liu D27/189
 D758,656 S * 6/2016 Freshwater D27/163
 D762,003 S * 7/2016 Lomeli D27/163
 9,408,416 B2 8/2016 Monsees et al.
 D765,908 S 9/2016 Zahr et al.
 D770,090 S 10/2016 Zahr et al.
 D770,091 S 10/2016 Zahr et al.
 D771,308 S 11/2016 Saydar et al.
 D771,867 S * 11/2016 Leidel D27/163
 D773,114 S * 11/2016 Leidel D27/163
 D775,762 S * 1/2017 Chen D27/101
 D776,338 S * 1/2017 Lomeli D27/163
 9,549,573 B2 1/2017 Monsees et al.
 D778,235 S 2/2017 Geier et al.
 9,717,276 B2 8/2017 Brammer et al.
 D799,746 S * 10/2017 Leidel D27/163
 D800,377 S * 10/2017 Liu D27/101
 D802,834 S * 11/2017 Mathias D27/163
 D808,073 S * 1/2018 Leidel D27/162
 9,894,938 B2 2/2018 Vick et al.
 D812,289 S 3/2018 Ward et al.
 D816,267 S 4/2018 Fornarelli
 D819,880 S * 6/2018 Qiu D27/101
 9,999,250 B2 6/2018 Minskoff et al.
 D825,102 S 8/2018 Bowen et al.
 D827,117 S 8/2018 Rigbi
 10,045,567 B2 8/2018 Monsees et al.
 10,045,568 B2 8/2018 Monsees et al.
 10,058,124 B2 8/2018 Monsees et al.

10,058,129 B2 8/2018 Monsees et al.
 10,058,130 B2 8/2018 Monsees et al.
 D828,912 S * 9/2018 Powell D23/366
 10,070,669 B2 9/2018 Monsees et al.
 10,076,139 B2 9/2018 Monsees et al.
 D835,338 S * 12/2018 Oligschlaeger D27/186
 D842,536 S 3/2019 Bowen et al.
 D843,052 S * 3/2019 Powell D27/163
 D844,235 S 3/2019 Cividi
 D844,240 S 3/2019 Kauss
 D849,996 S 5/2019 Duque et al.
 D853,022 S * 7/2019 Srour D27/183
 D855,880 S * 8/2019 Sarsurluoglu D27/186
 2014/0366898 A1 12/2014 Monsees et al.
 2014/0378790 A1 12/2014 Cohen
 2015/0150308 A1 6/2015 Monsees et al.
 2015/0224268 A1 8/2015 Henry et al.
 2015/0320116 A1 11/2015 Bleloch et al.
 2016/0157524 A1 6/2016 Bowen et al.
 2016/0295917 A1 10/2016 Malgat et al.
 2018/0037381 A1 2/2018 White et al.

FOREIGN PATENT DOCUMENTS

JP 1642786 1/2019
 WO WO 2017/185051 10/2017

OTHER PUBLICATIONS

Japanese Office Action issued for JP Application No. 2019-008356, dated Dec. 25, 2019.
 Japanese Office Action issued for JP Application No. 2019-008357, dated Dec. 25, 2019.

* cited by examiner

FIG. 1

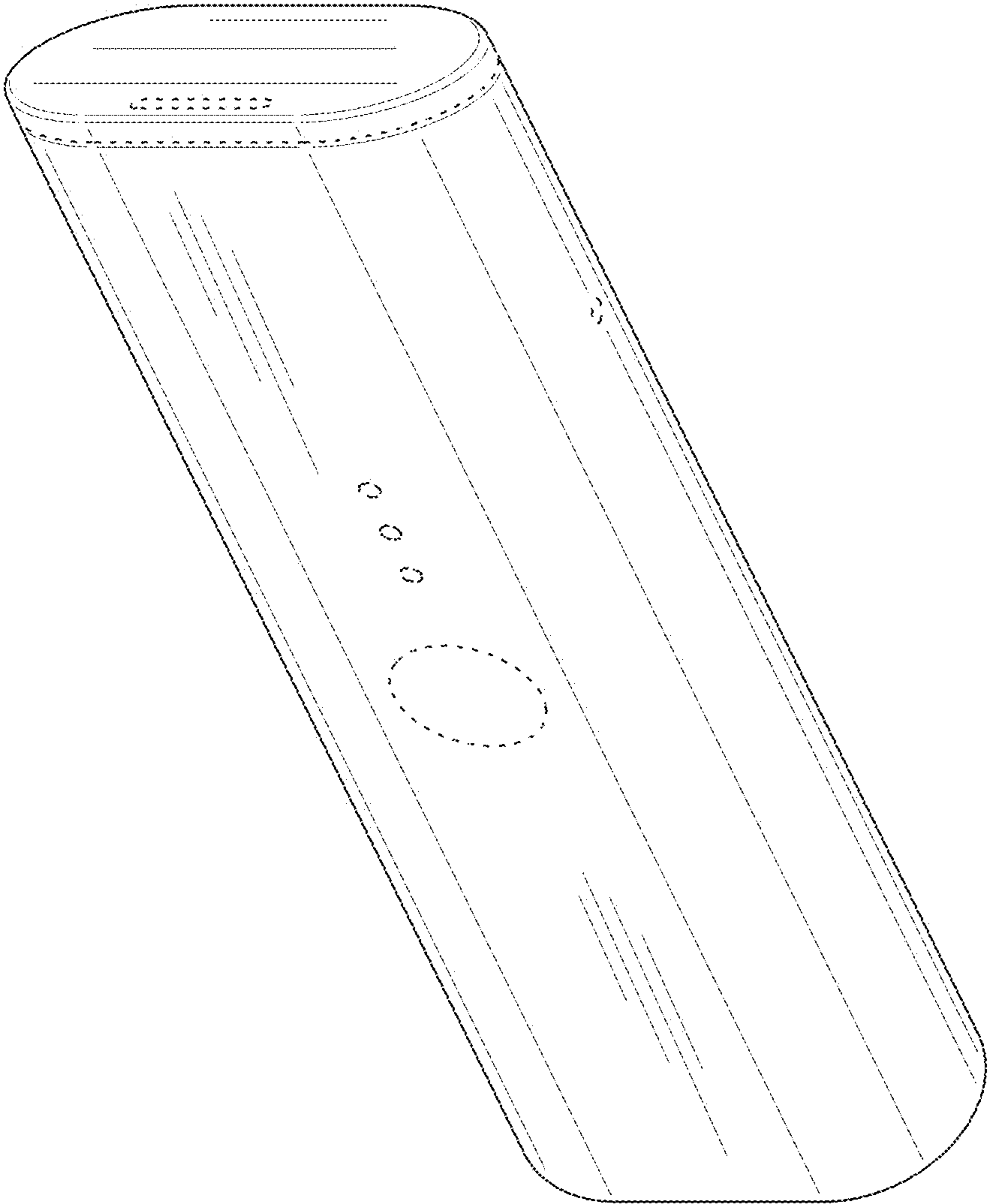


FIG.2

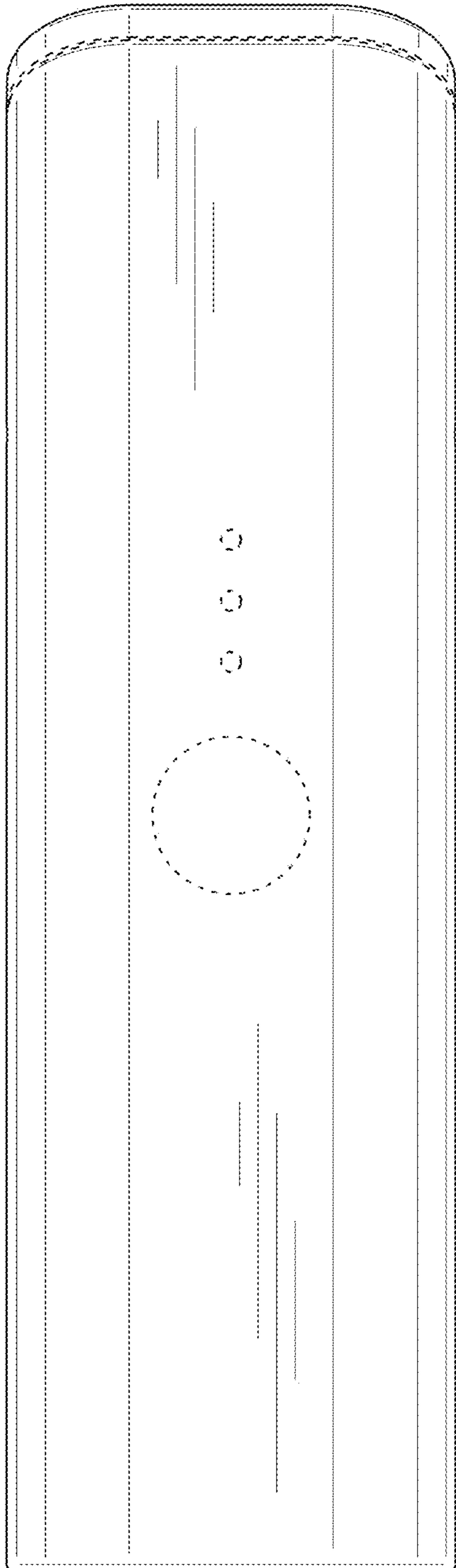


FIG.3

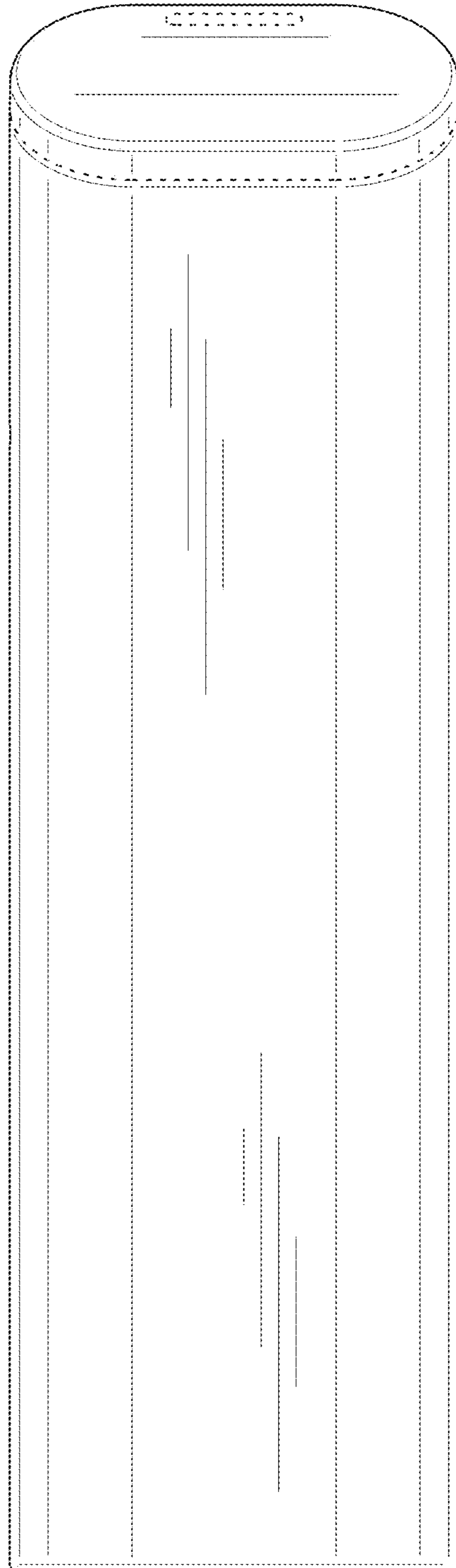


FIG.4

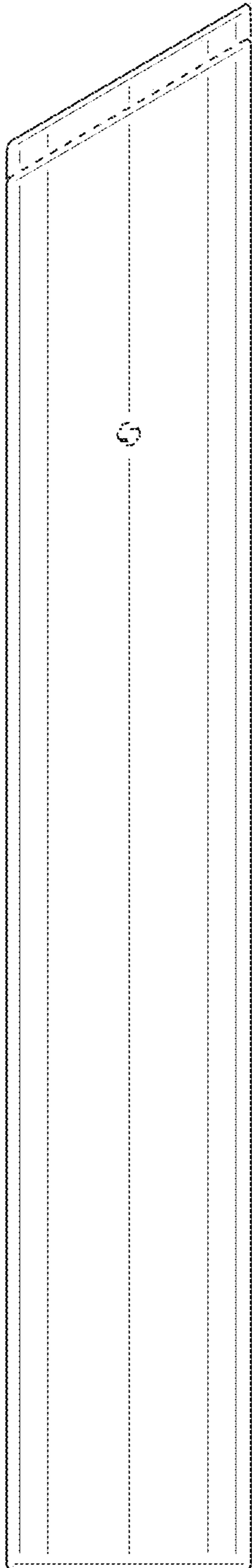


FIG.5

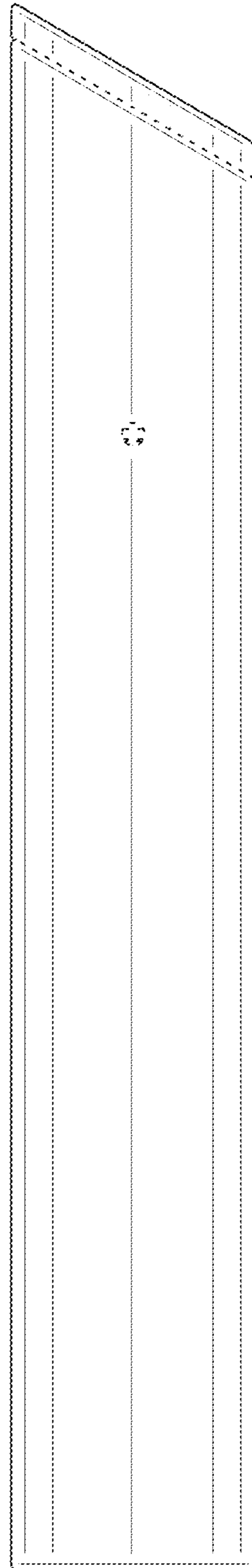


FIG.6

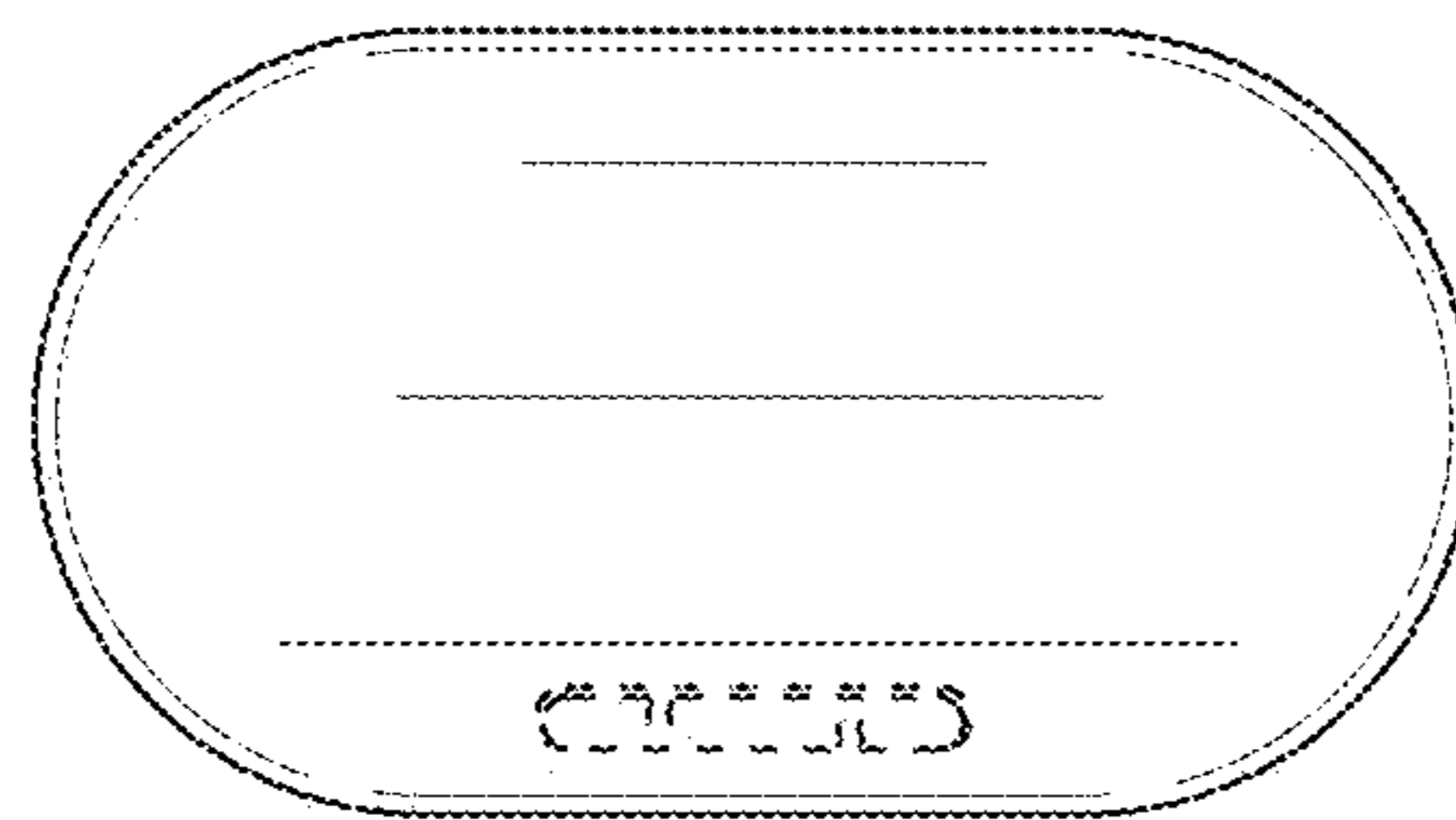


FIG.7

