

US00D891689S

(12) **United States Design Patent**
Trzcielinski

(10) **Patent No.:** **US D891,689 S**

(45) **Date of Patent:** **** *Jul. 28, 2020**

(54) **HOUSING FOR A LED-BASED LIGHTING APPARATUS**

(71) Applicant: **LED LABS Sp. z o.o.**, Cracow (PL)

(72) Inventor: **Grzegorz Trzcielinski**, Cracow (PL)

(73) Assignee: **LED LABS SP. Z O.O.**, Cracow (PL)

(*) Notice: This patent is subject to a terminal disclaimer.

(**) Term: **15 Years**

(21) Appl. No.: **29/605,604**

(22) Filed: **May 26, 2017**

(51) **LOC (12) Cl.** **26-06**

(52) **U.S. Cl.**
USPC **D26/138**

(58) **Field of Classification Search**
USPC D26/76, 78, 79, 80, 81, 82, 83, 85, 86,
D26/88, 90, 93, 111, 113, 118, 119, 120,
D26/121, 122, 138, 139, 140, 141, 142,
D26/152

CPC F21S 2/00; F21S 4/00; F21S 4/003; F21S
4/005; F21S 4/006; F21S 4/007; F21S
4/008; F21S 6/00; F21S 8/00; F21S
8/024; F21S 8/026; F21S 8/031; F21S
8/033; F21S 8/035-8/037; F21S 8/04;
F21S 8/043; F21S 8/063

See application file for complete search history.

(56) **References Cited**

U.S. PATENT DOCUMENTS

D621,542 S *	8/2010	Klus	D26/138
D693,051 S *	11/2013	Klu	D26/138
D693,052 S *	11/2013	Klu	D26/138
D695,953 S *	12/2013	Klu	D26/138
D695,955 S *	12/2013	Klus	D26/138
D775,374 S *	12/2016	Walker	D25/126
D782,105 S *	3/2017	Klus	D26/138
D796,111 S *	8/2017	Trzcielinski	D26/142
D799,720 S *	10/2017	Tress	D25/119
D807,572 S *	1/2018	Klus	D26/138

* cited by examiner

Primary Examiner — *Natasha Vujcic*

(74) *Attorney, Agent, or Firm* — *Andrew Malarz, Esq.*

(57) **CLAIM**

An ornamental design for a housing for a LED-based lighting apparatus, as shown and described.

DESCRIPTION

FIG. 1 is a front isometric view of a housing for a LED based lighting apparatus;

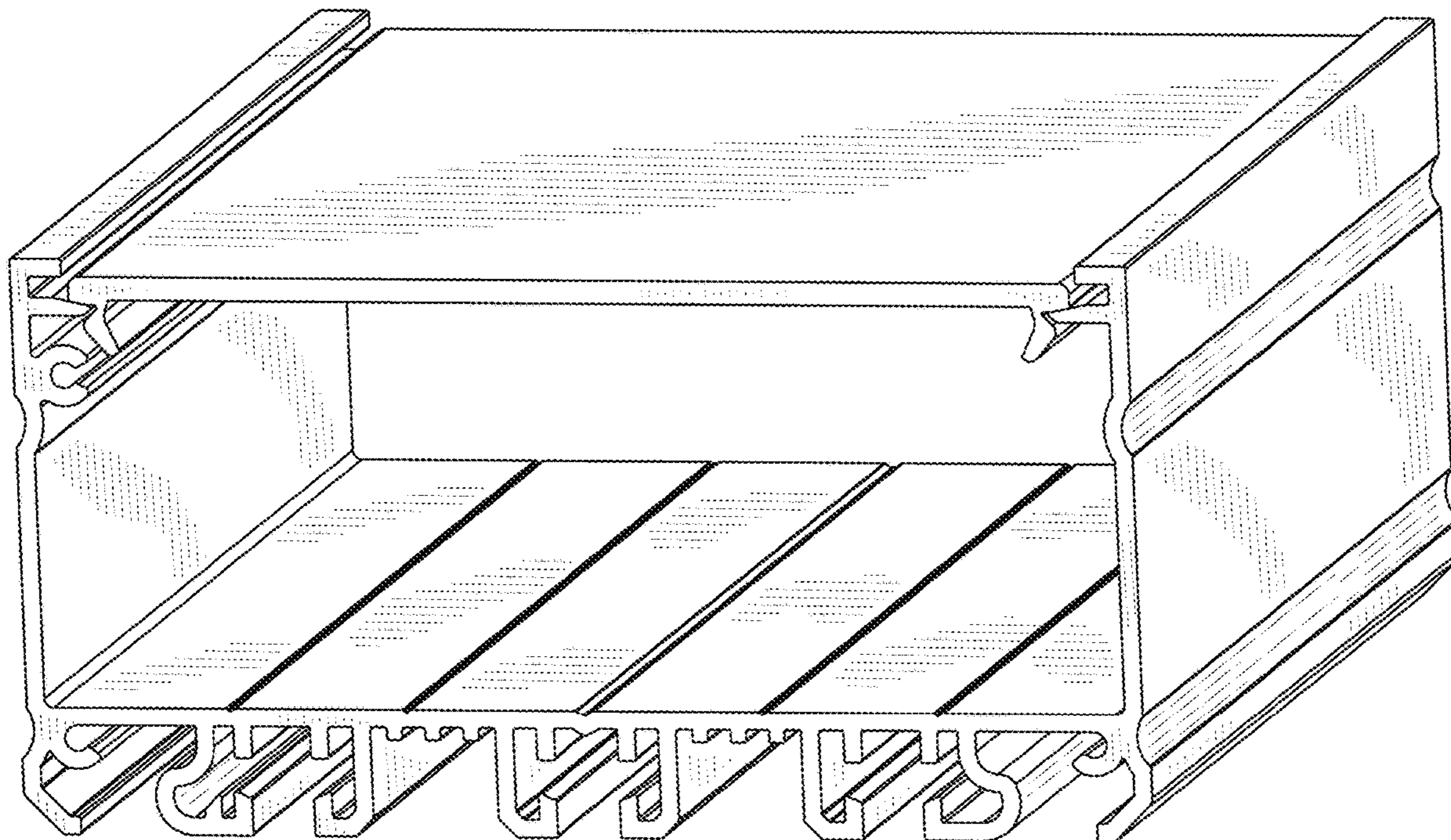
FIG. 2 is a front view of the housing shown in FIG. 1;

FIG. 3 is an upper view of the housing shown in FIG. 1;

FIG. 4 is a side view of the housing shown in FIG. 1; and,

FIG. 5 is a bottom view of the housing shown in FIG. 1.

1 Claim, 5 Drawing Sheets



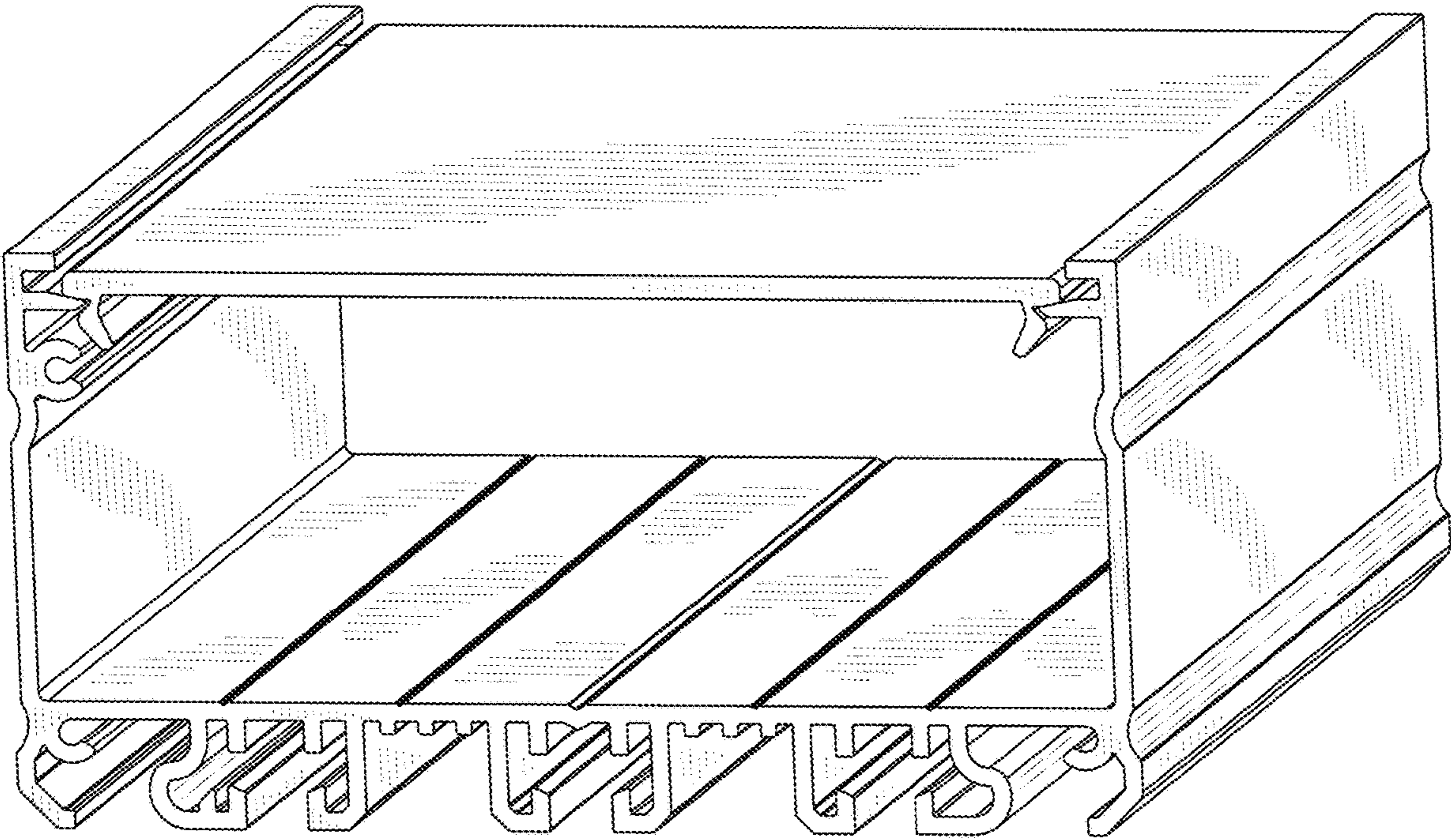


Fig. 1.

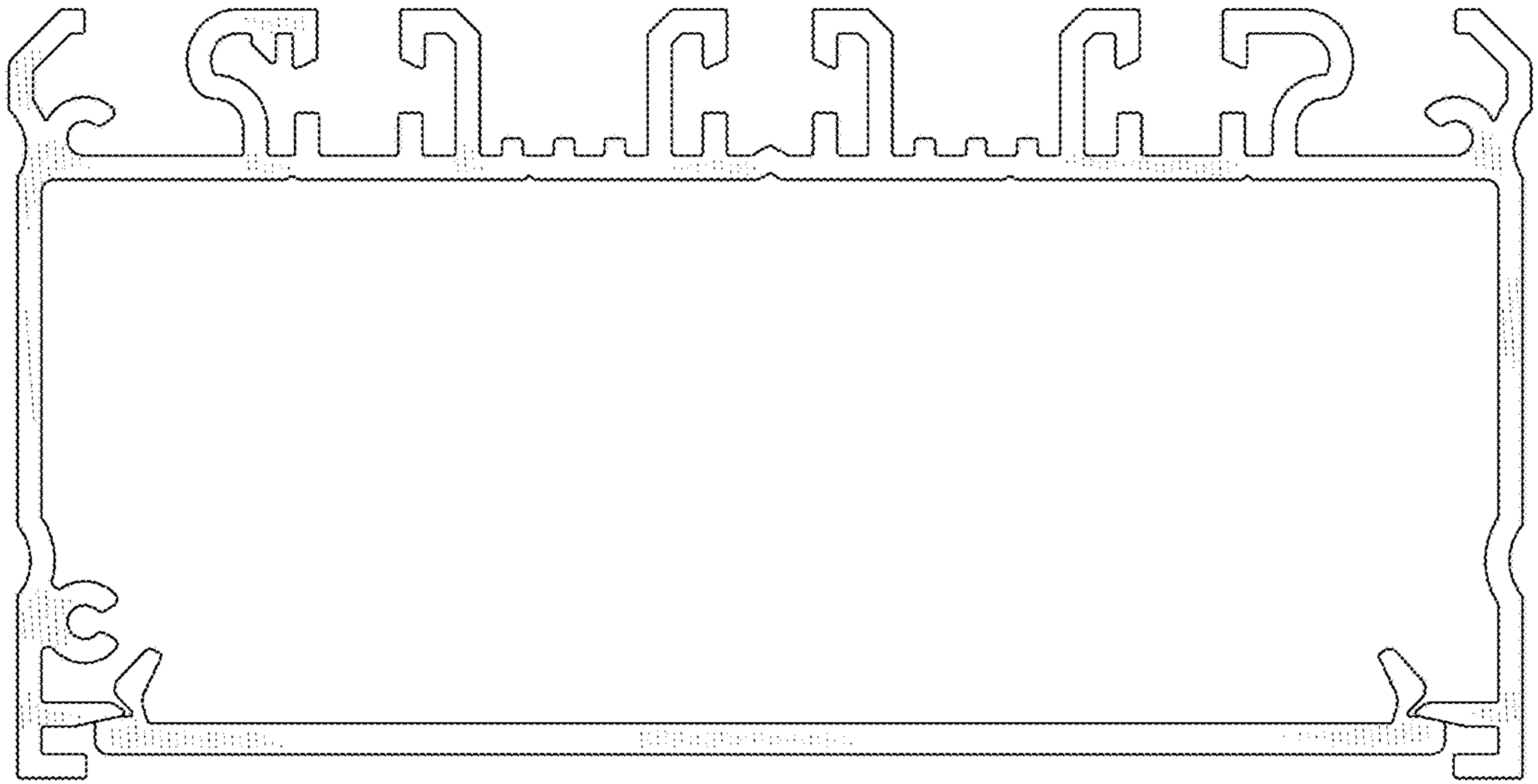


Fig. 2.

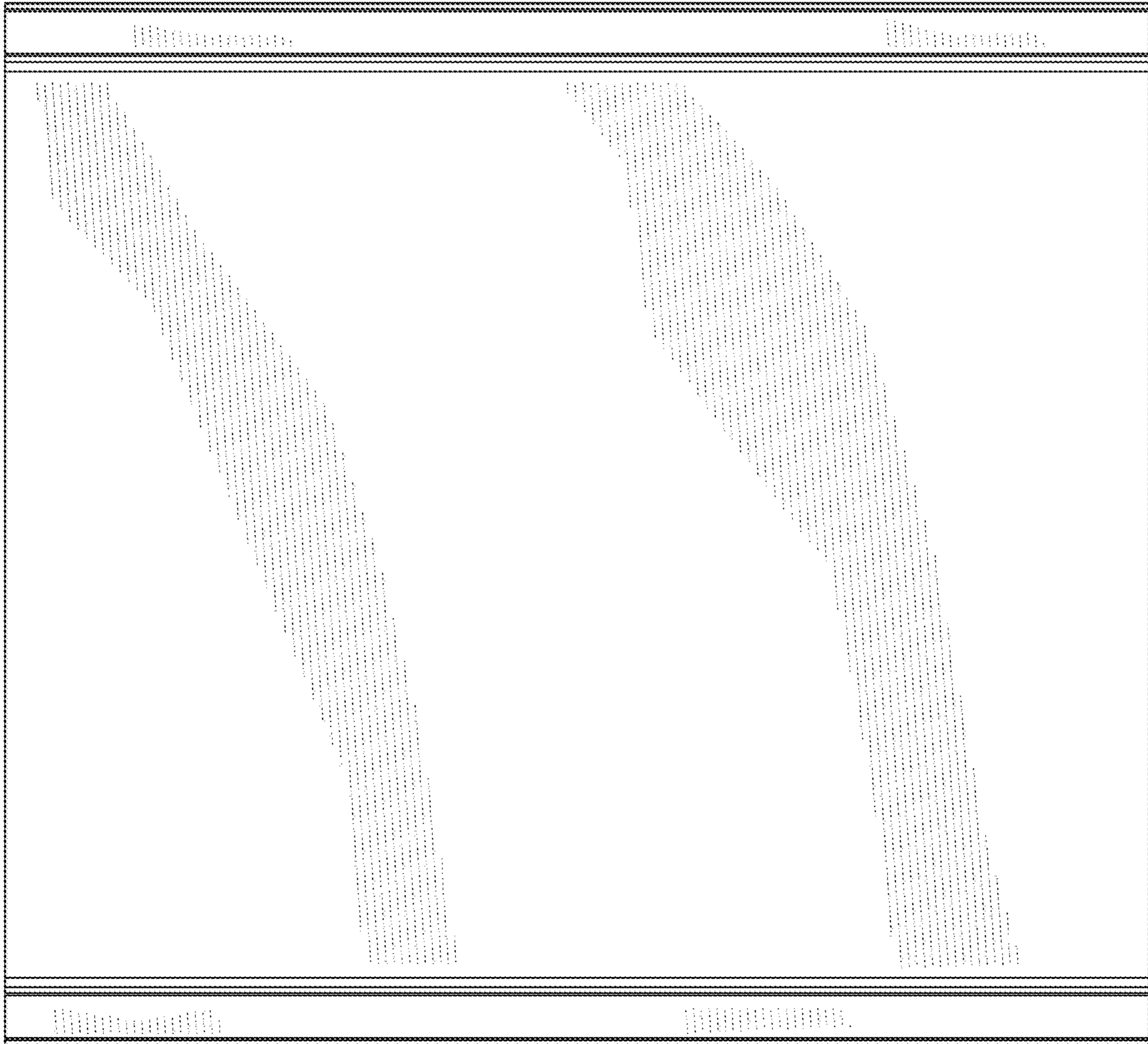


Fig. 3.

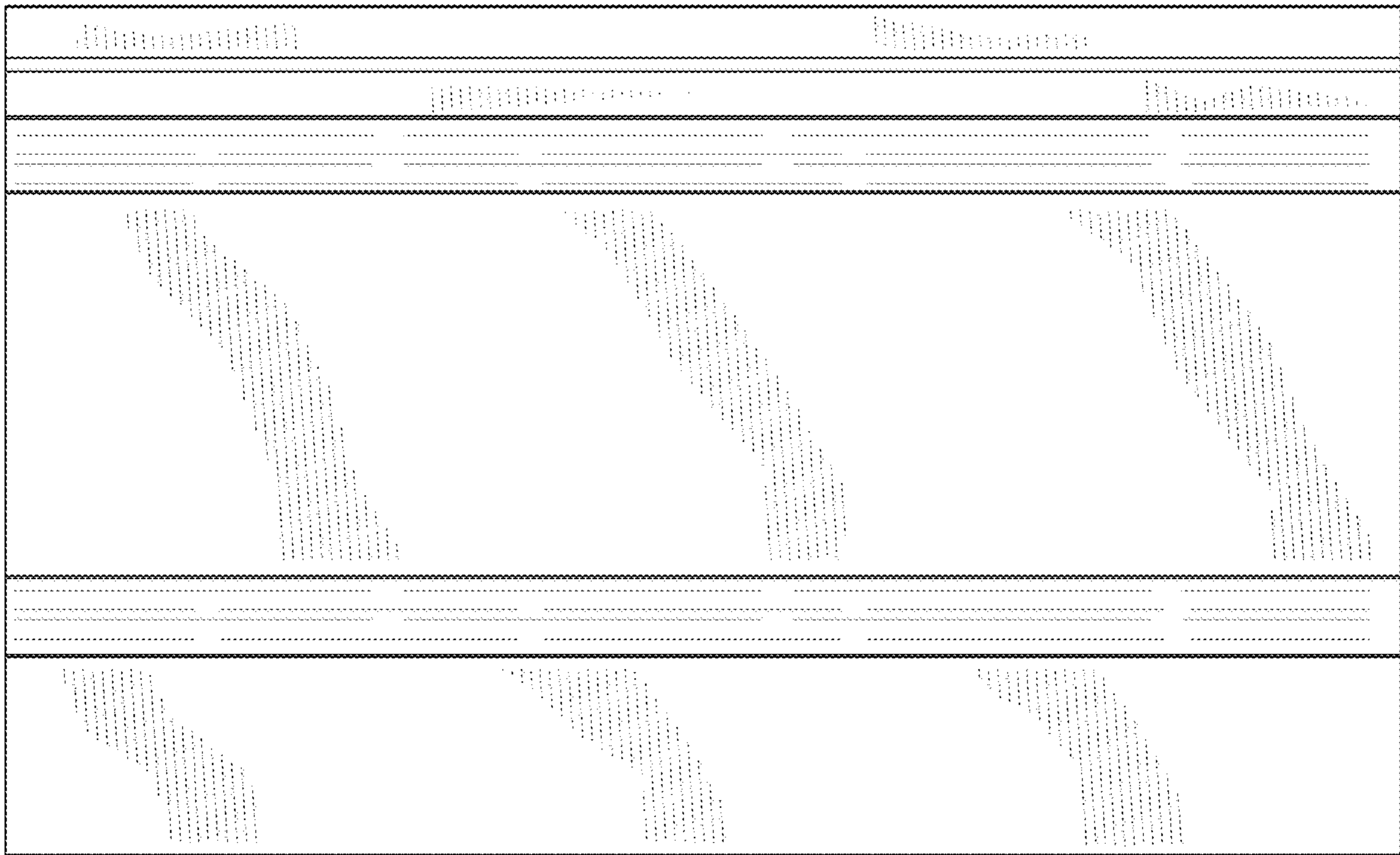


Fig. 4.

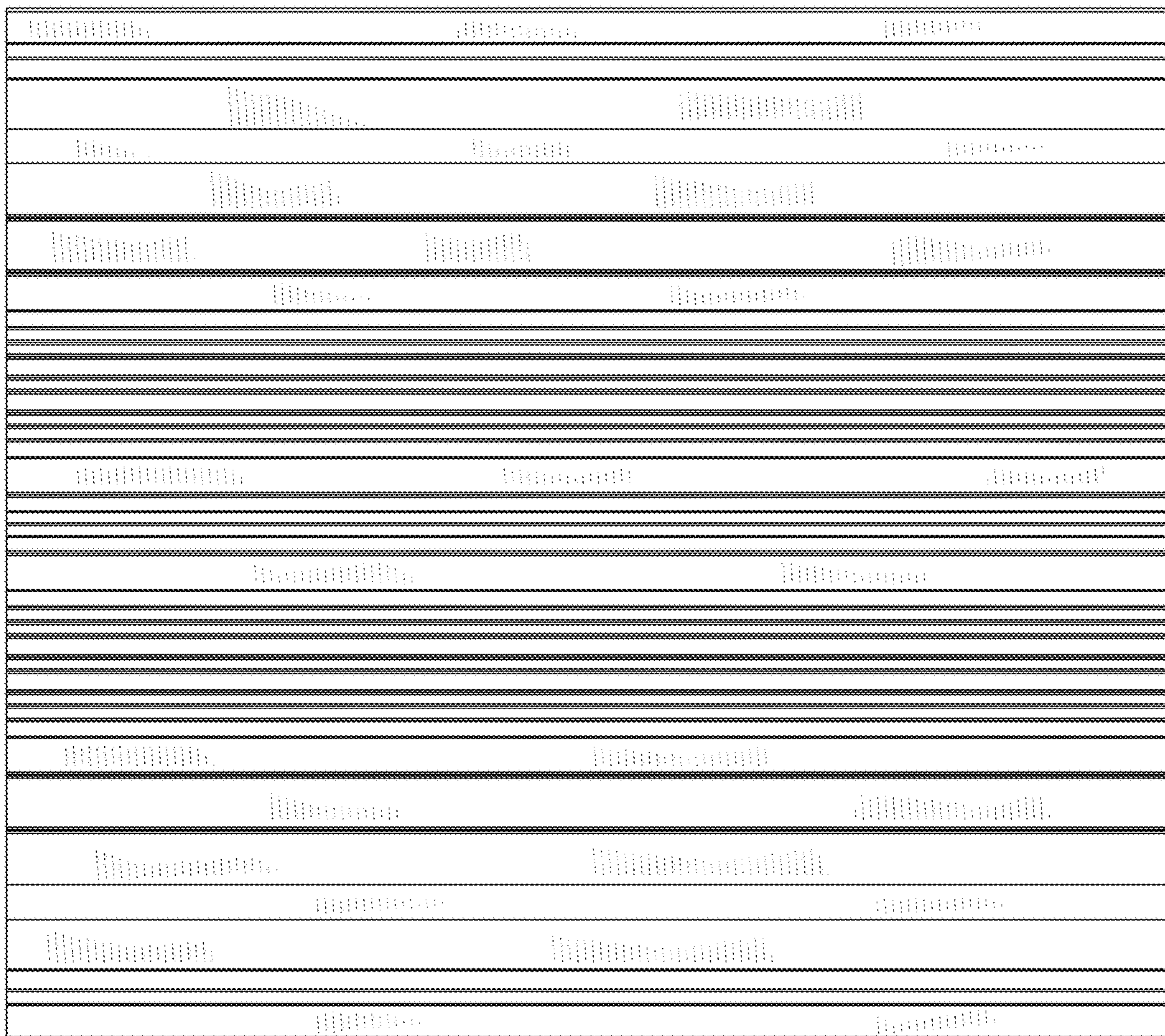


Fig. 5.