



US00D891687S

(12) **United States Design Patent**
Chen

(10) **Patent No.:** **US D891,687 S**

(45) **Date of Patent:** **** Jul. 28, 2020**

(54) **SECURITY LIGHT**

(71) Applicant: **Vaxcel International Co., Ltd.**, Carol Stream, IL (US)

(72) Inventor: **Chia-Teh Chen**, Taipei (TW)

(73) Assignee: **Vaxcel International Co., Ltd.**, Carol Stream, IL (US)

(**) Term: **15 Years**

(21) Appl. No.: **29/675,876**

(22) Filed: **Jan. 7, 2019**

(51) **LOC (12) Cl.** **26-99**

(52) **U.S. Cl.**
USPC **D26/120**

(58) **Field of Classification Search**
USPC D26/24, 51, 61, 63, 65, 72, 80, 120
CPC F21S 8/04; F21S 8/00; F21V 21/00; F21V 17/02; F21V 14/02; F21V 21/30; F21V 21/14; F21V 21/26; F21W 2131/10
See application file for complete search history.

(56) **References Cited**

U.S. PATENT DOCUMENTS

D774,231 S * 12/2016 Recker D26/63
D788,967 S * 6/2017 Chen D26/65

D821,021 S * 6/2018 Chen D26/120
D835,335 S * 12/2018 Paredes D26/120
D866,036 S * 11/2019 Tan D26/63
D869,721 S * 12/2019 Recker D26/63

* cited by examiner

Primary Examiner — Brian N. Vinson

(74) *Attorney, Agent, or Firm* — Li & Cai Intellectual Property Office

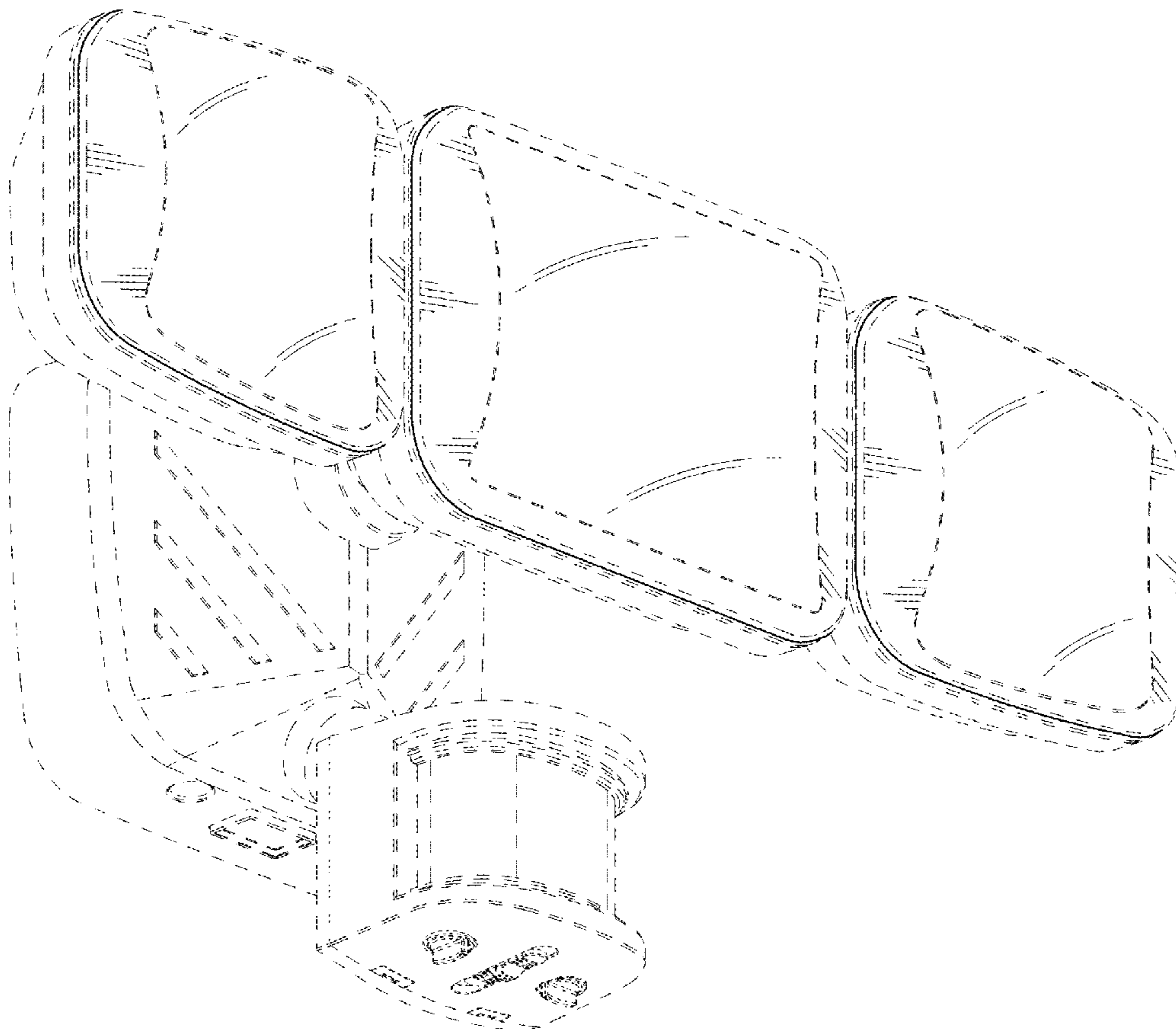
(57) **CLAIM**

The ornamental design for a “security light”, as shown and described.

DESCRIPTION

FIG. 1 is a front and bottom perspective view of a security light showing my new design;
FIG. 2 is a front elevation view thereof;
FIG. 3 is a rear elevation view thereof;
FIG. 4 is a left side elevation view thereof;
FIG. 5 is a right side elevation view thereof;
FIG. 6 is a top plan view thereof;
FIG. 7 is a bottom plan view thereof;
FIG. 8 is a rear and top perspective view thereof; and,
FIG. 9 is a top view showing the practical usage thereof, wherein the light is adjusted to a different spreading angle. The broken lines disclosure represents the unclaimed boundary between claimed and unclaimed portions of the design or portions of the work light which form no part of the claimed design.

1 Claim, 9 Drawing Sheets



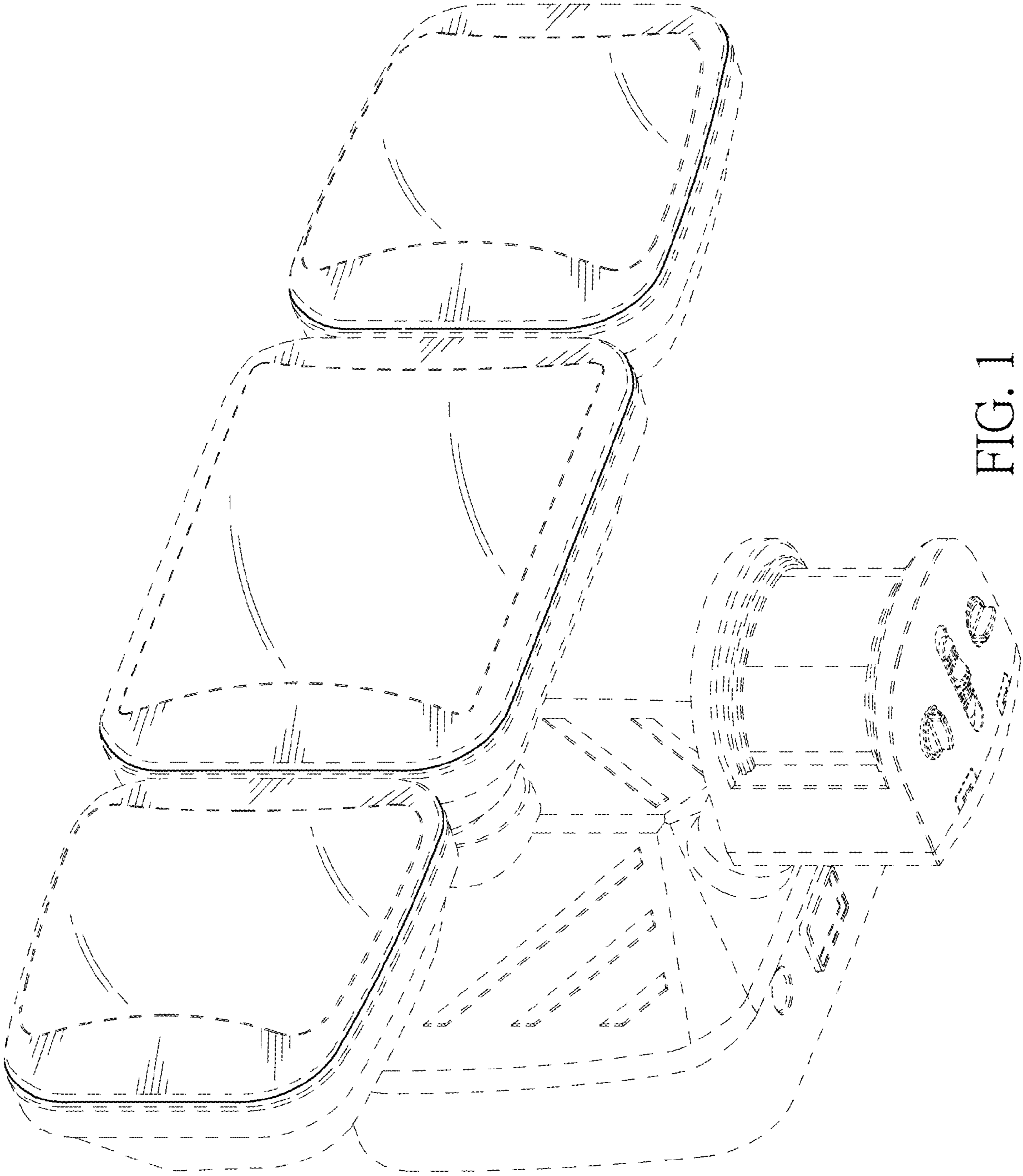


FIG. 1

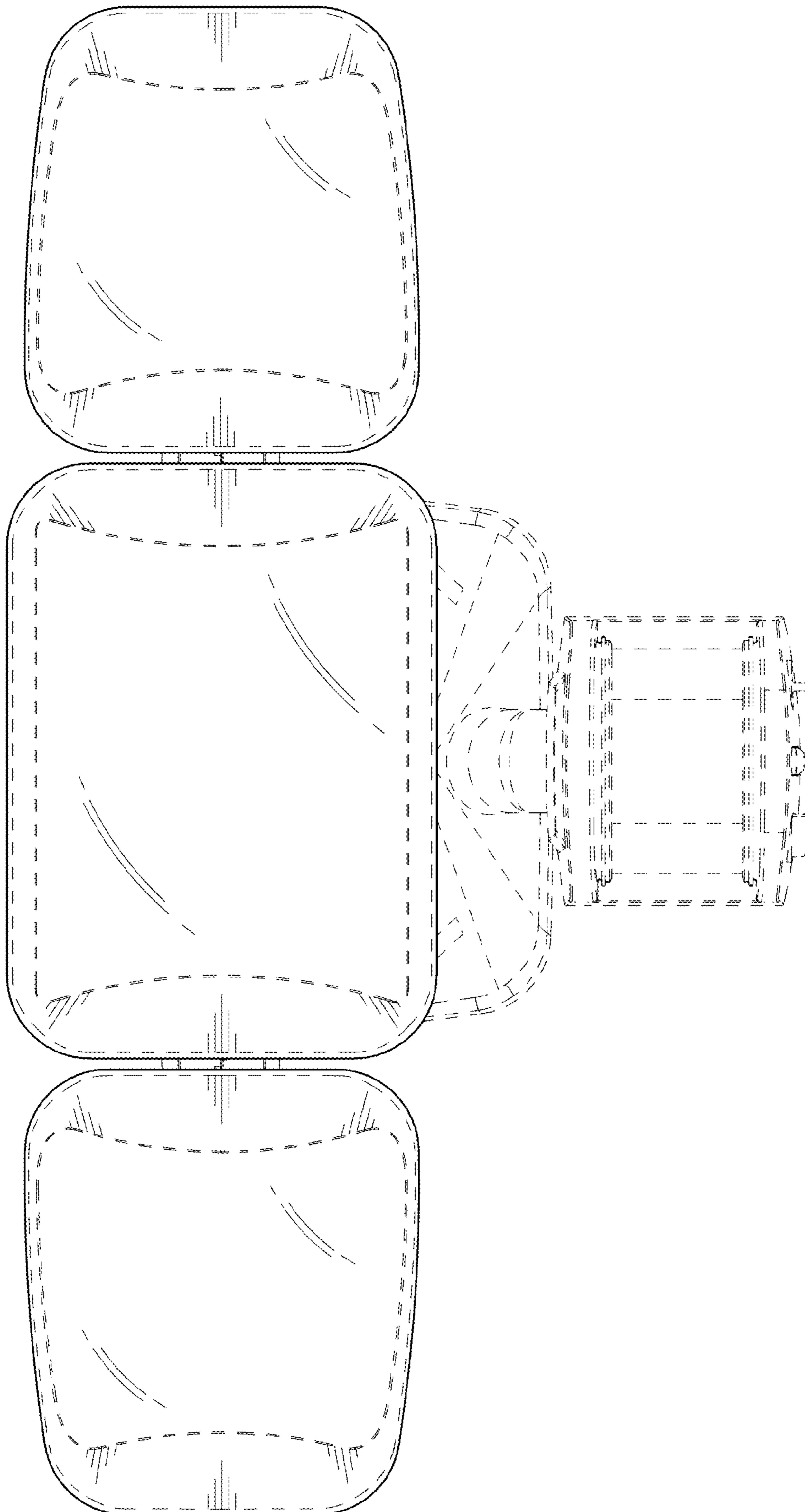


FIG. 2

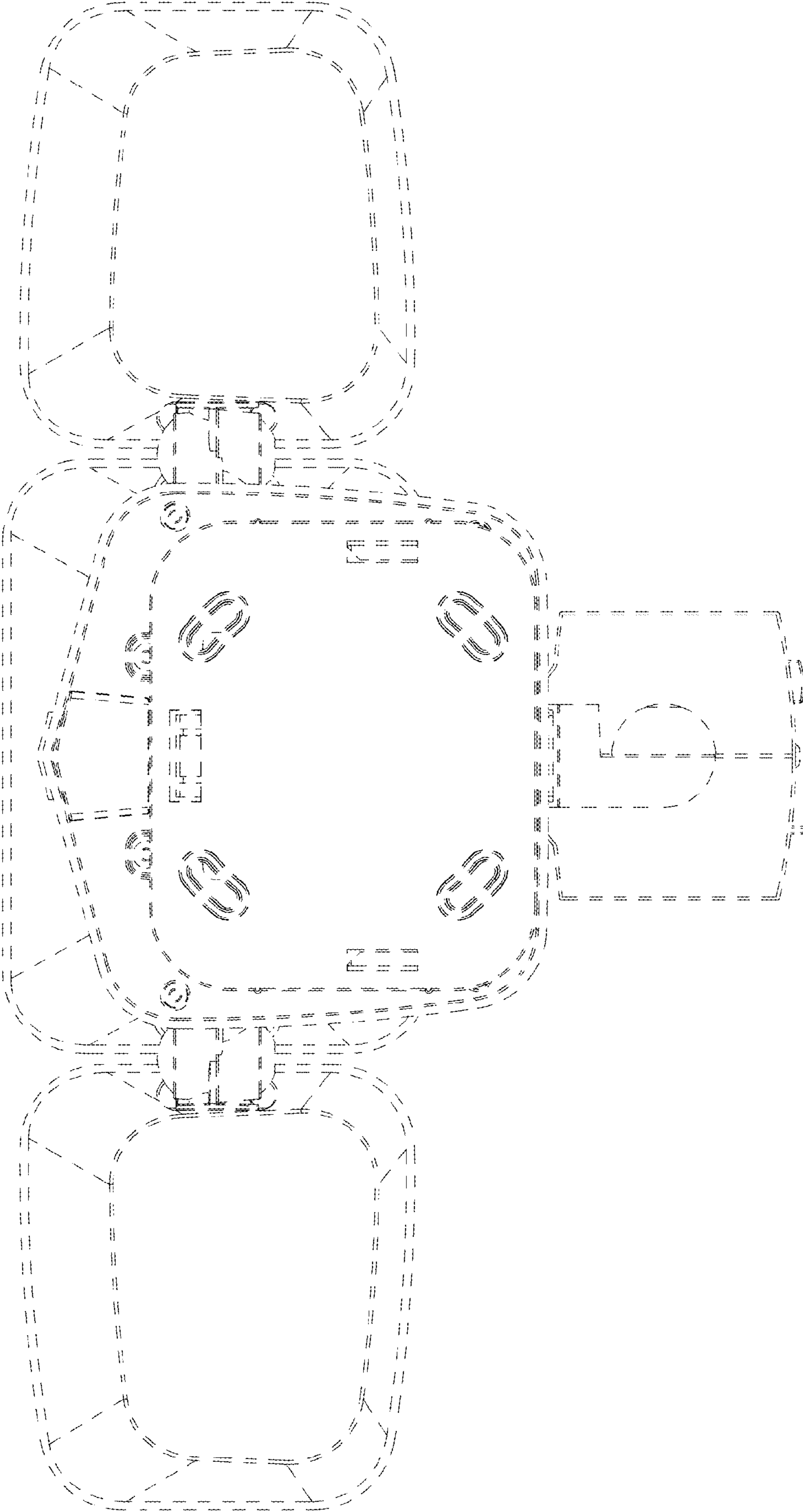


FIG. 3

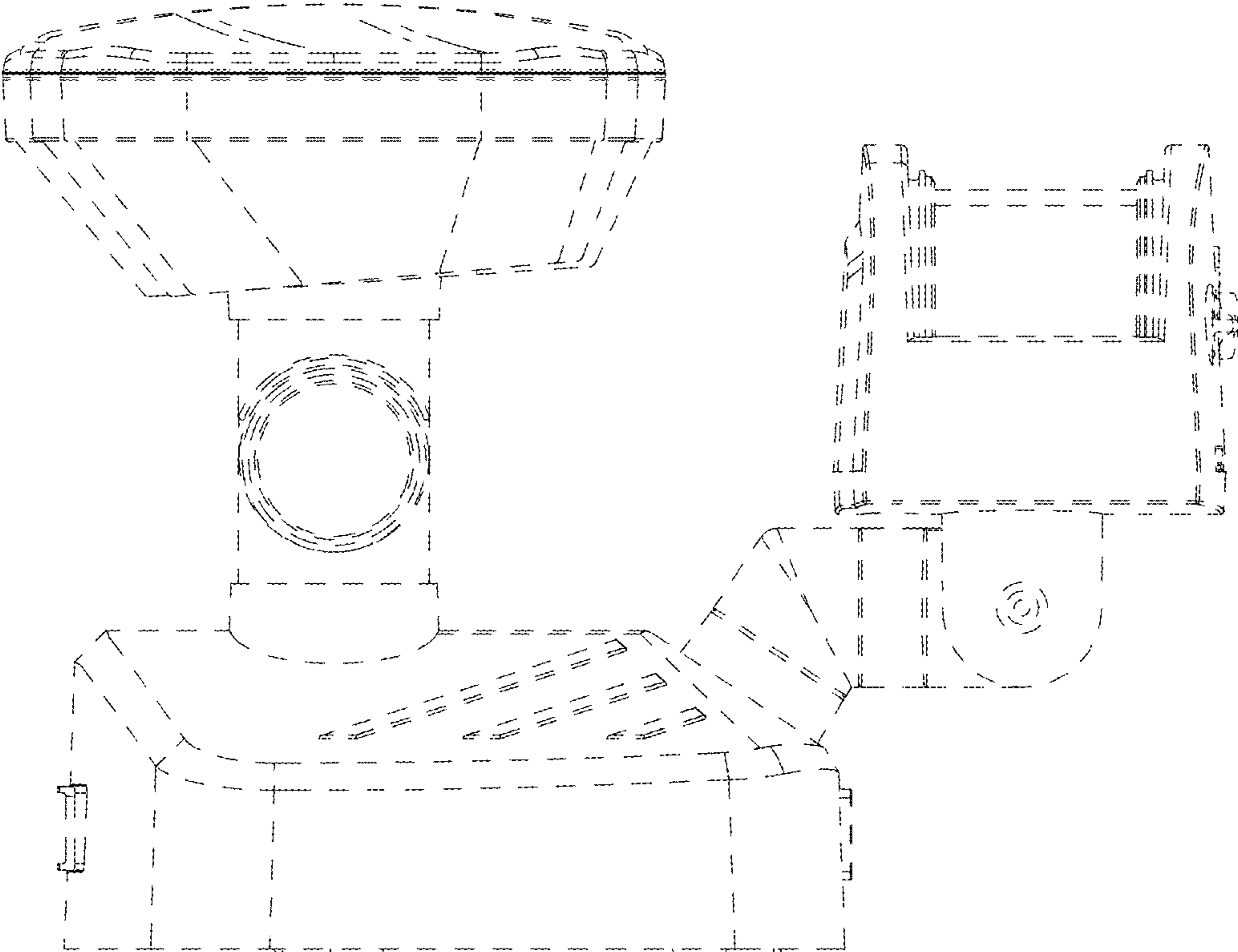


FIG. 4

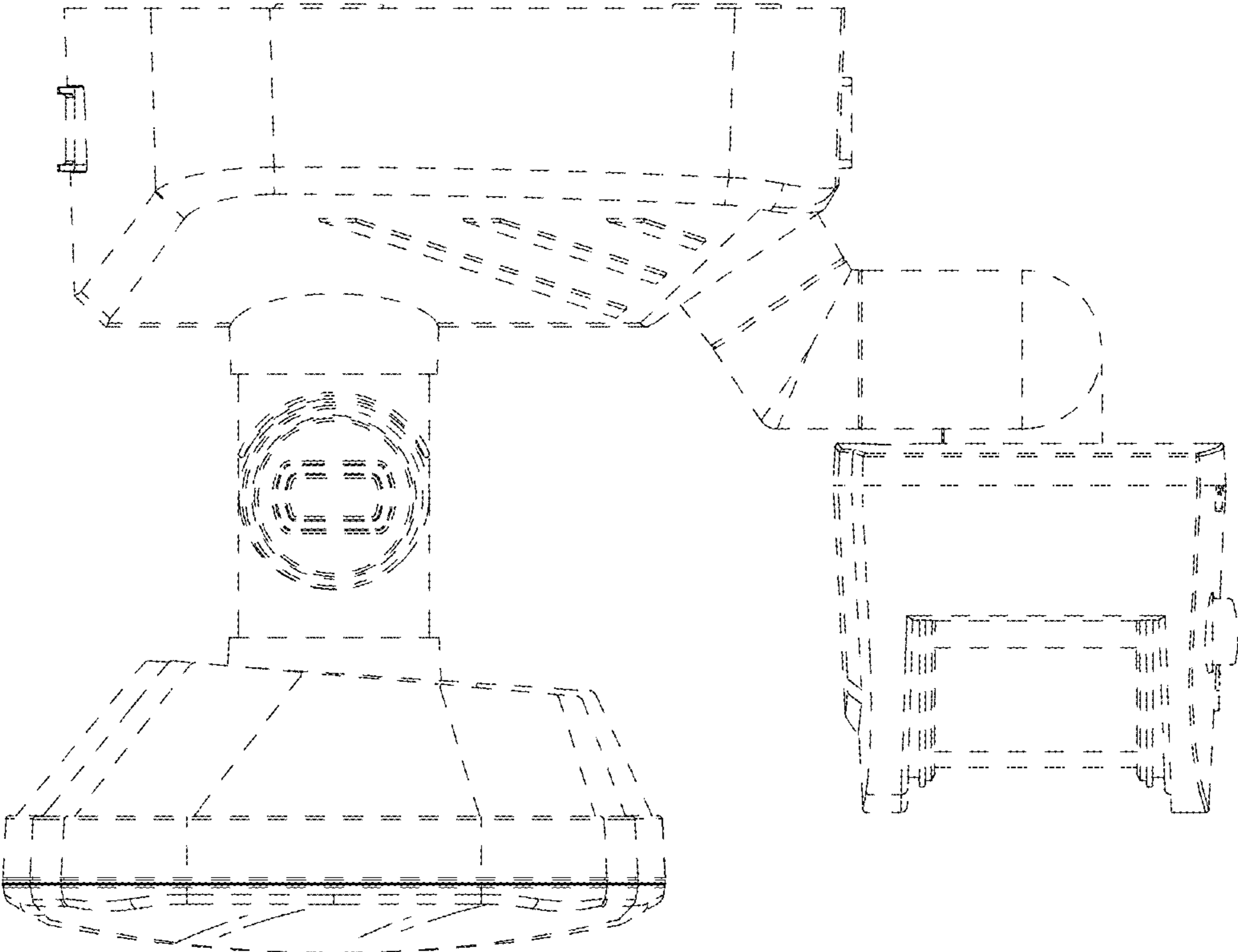


FIG. 5

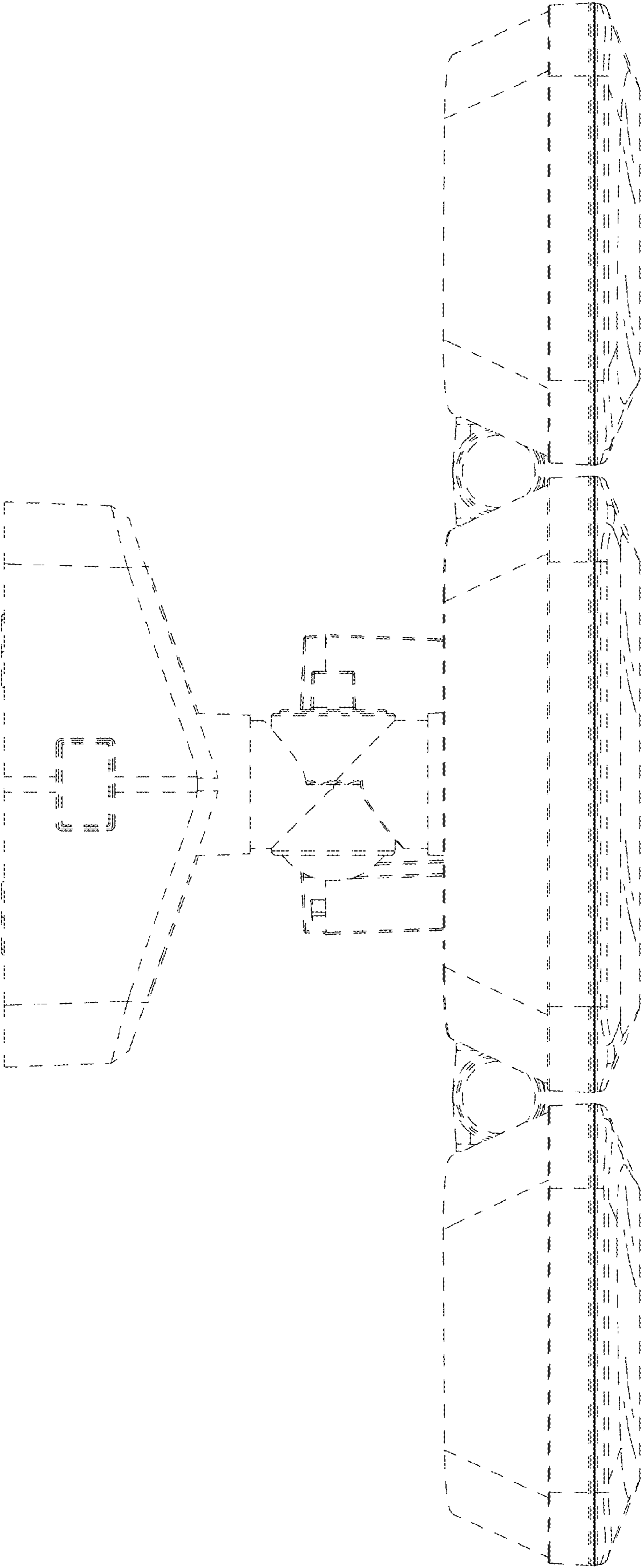


FIG. 6

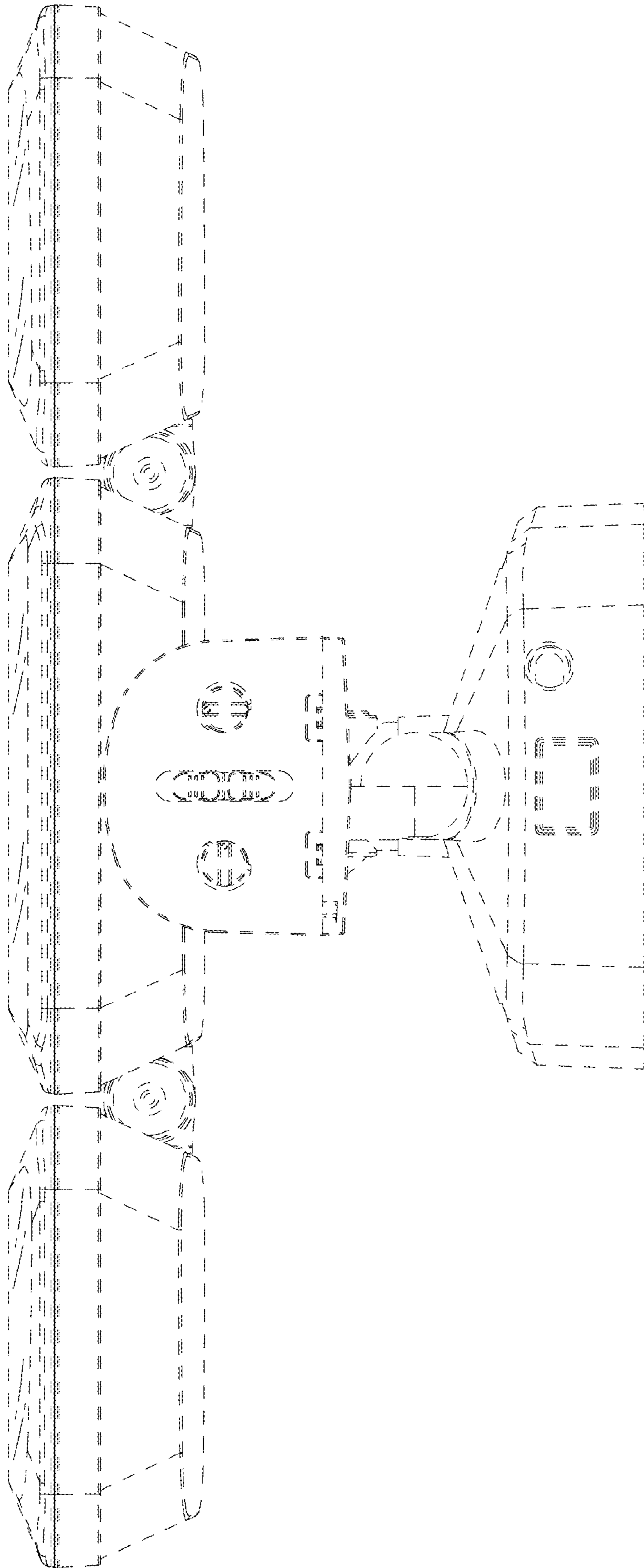


FIG. 7

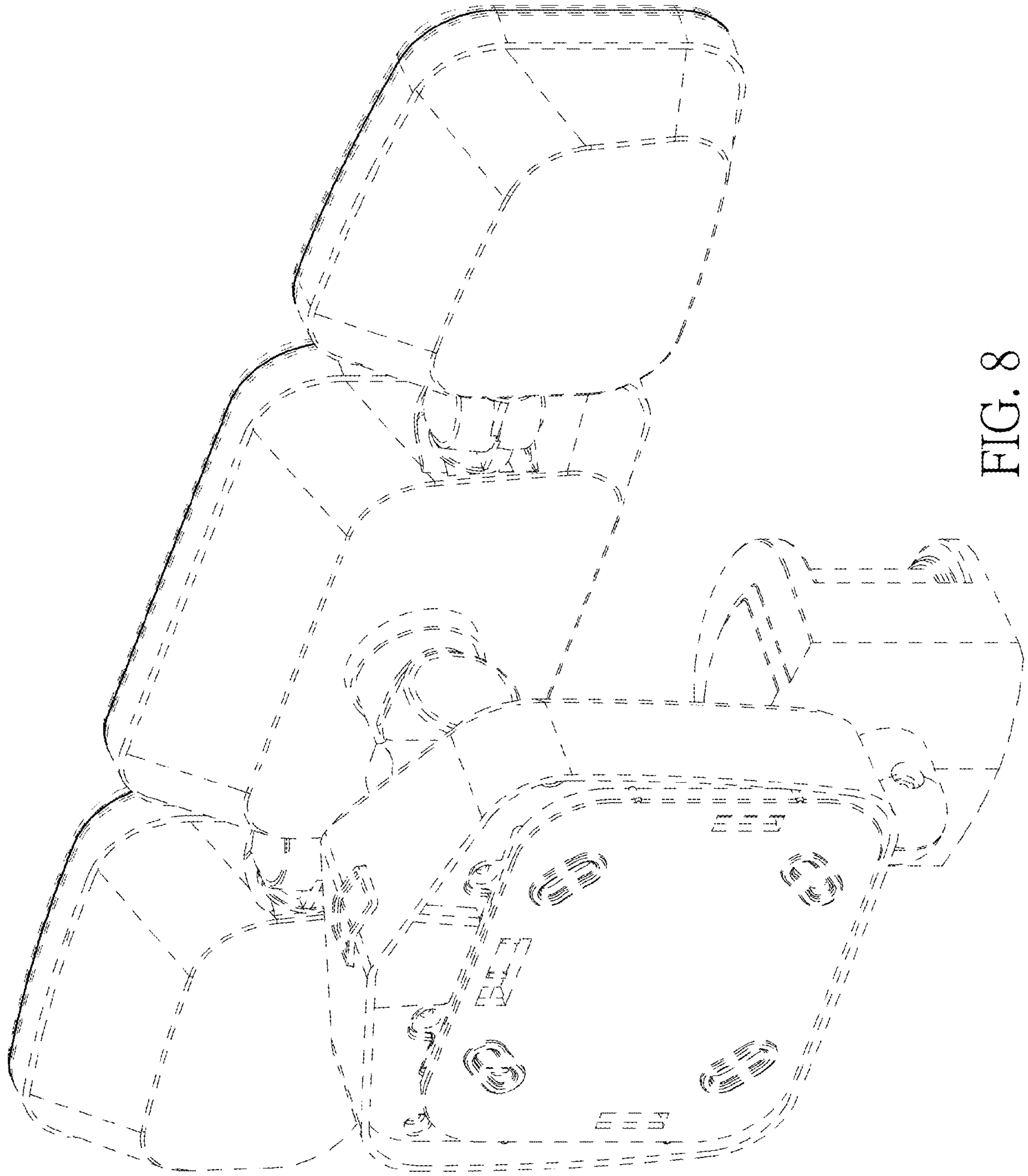


FIG. 8

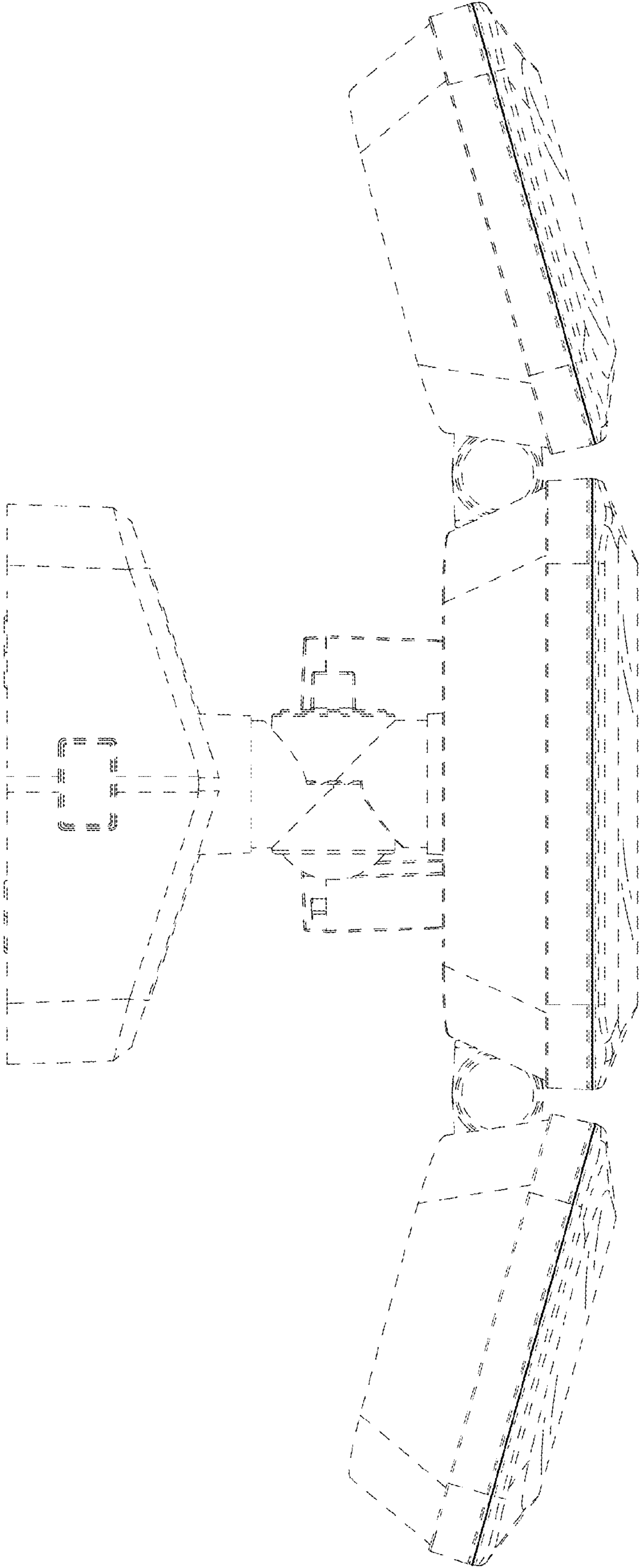


FIG. 9