



US00D891686S

(12) **United States Design Patent** (10) **Patent No.:** **US D891,686 S**
Duckworth et al. (45) **Date of Patent:** **** Jul. 28, 2020**

(54) **OUTDOOR LUMINAIRE**

(56) **References Cited**

(71) Applicant: **Hubbell Incorporated**, Shelton, CT
(US)
(72) Inventors: **Jason Duckworth**, Simpsonville, SC
(US); **Steve Entrekin**, Simpsonville, SC
(US)
(73) Assignee: **Hubbell Incorporated**, Shelton, CT
(US)
(**) Term: **15 Years**
(21) Appl. No.: **29/705,831**
(22) Filed: **Sep. 16, 2019**

U.S. PATENT DOCUMENTS

4,617,615 A	10/1986	Eychaner	
5,535,109 A	7/1996	Moore et al.	
D435,925 S *	1/2001	Hiller	D26/63
D698,476 S *	1/2014	Korpi	D26/63
D698,477 S *	1/2014	Korpi	D26/63
D747,525 S *	1/2016	Guercio	D26/63
D748,838 S *	2/2016	Brynjolfsson	D26/63
2006/0215408 A1	9/2006	Lee	
2009/0262542 A1	10/2009	Li et al.	
2012/0008331 A1	1/2012	Marquardt et al.	
2012/0057352 A1	3/2012	Wilcox et al.	
2013/0293385 A1	11/2013	Yoshida et al.	

* cited by examiner

Primary Examiner — Brian N. Vinson
(74) *Attorney, Agent, or Firm* — Michael Best & Friedrich, LLP

Related U.S. Application Data

(62) Division of application No. 29/624,606, filed on Nov. 2, 2017, now Pat. No. Des. 862,780, which is a division of application No. 29/583,715, filed on Nov. 8, 2016, now Pat. No. Des. 803,451, which is a division of application No. 29/525,723, filed on May 1, 2015, now Pat. No. Des. 771,296.

(51) **LOC (12) Cl.** **26-99**
(52) **U.S. Cl.**
USPC **D26/118**
(58) **Field of Classification Search**
USPC D26/1, 24, 61, 63, 65, 85, 92
CPC F21V 21/14; F21V 21/00; F21V 14/00;
F21V 15/01; F21V 14/02; F21V 21/30;
F21S 8/00; F21S 8/003; F21S 8/043;
F21Y 2105/001

See application file for complete search history.

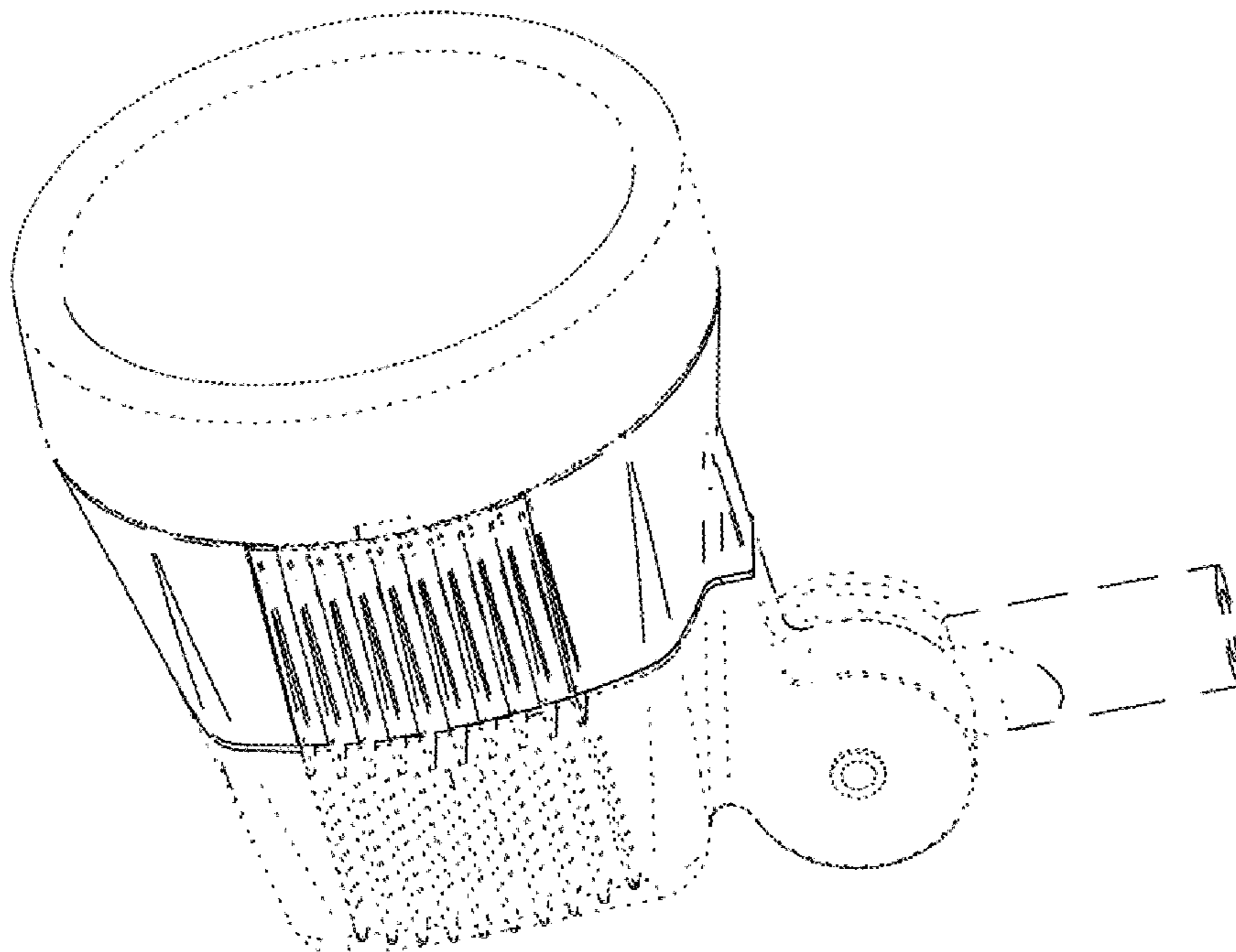
(57) **CLAIM**

The ornamental design for an outdoor luminaire, as shown and described.

DESCRIPTION

FIG. 1 is a front perspective view of an embodiment of the design;
FIG. 2 is a rear view of FIG. 1;
FIG. 3 is a top view of FIG. 1;
FIG. 4 is a right side view of FIG. 1;
FIG. 5 is a side perspective view of FIG. 1; and,
FIG. 6 is a front view of FIG. 1.
The broken lines show portions of the outdoor luminaire that form no part of the claimed design.

1 Claim, 1 Drawing Sheet



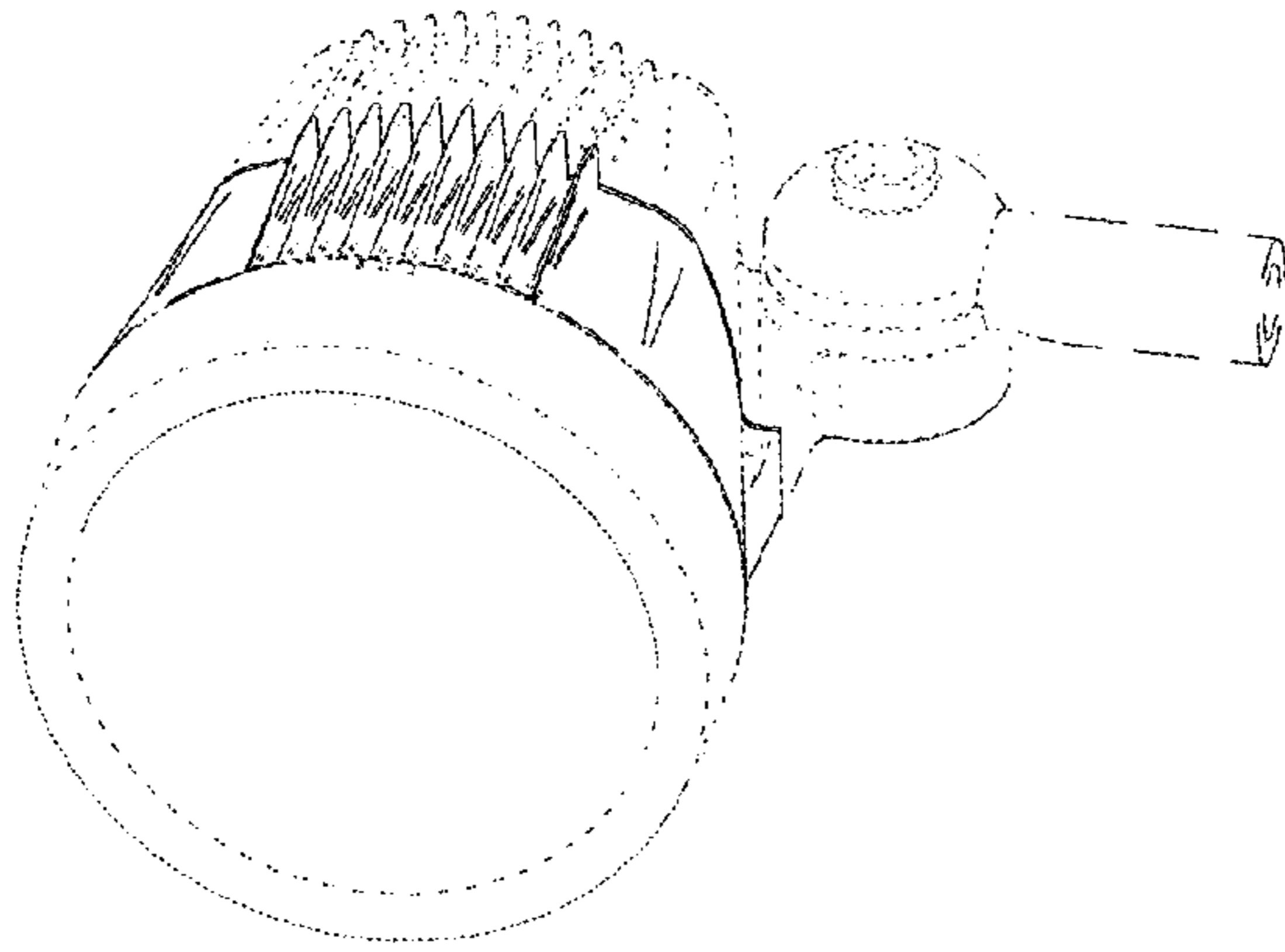


FIG. 1

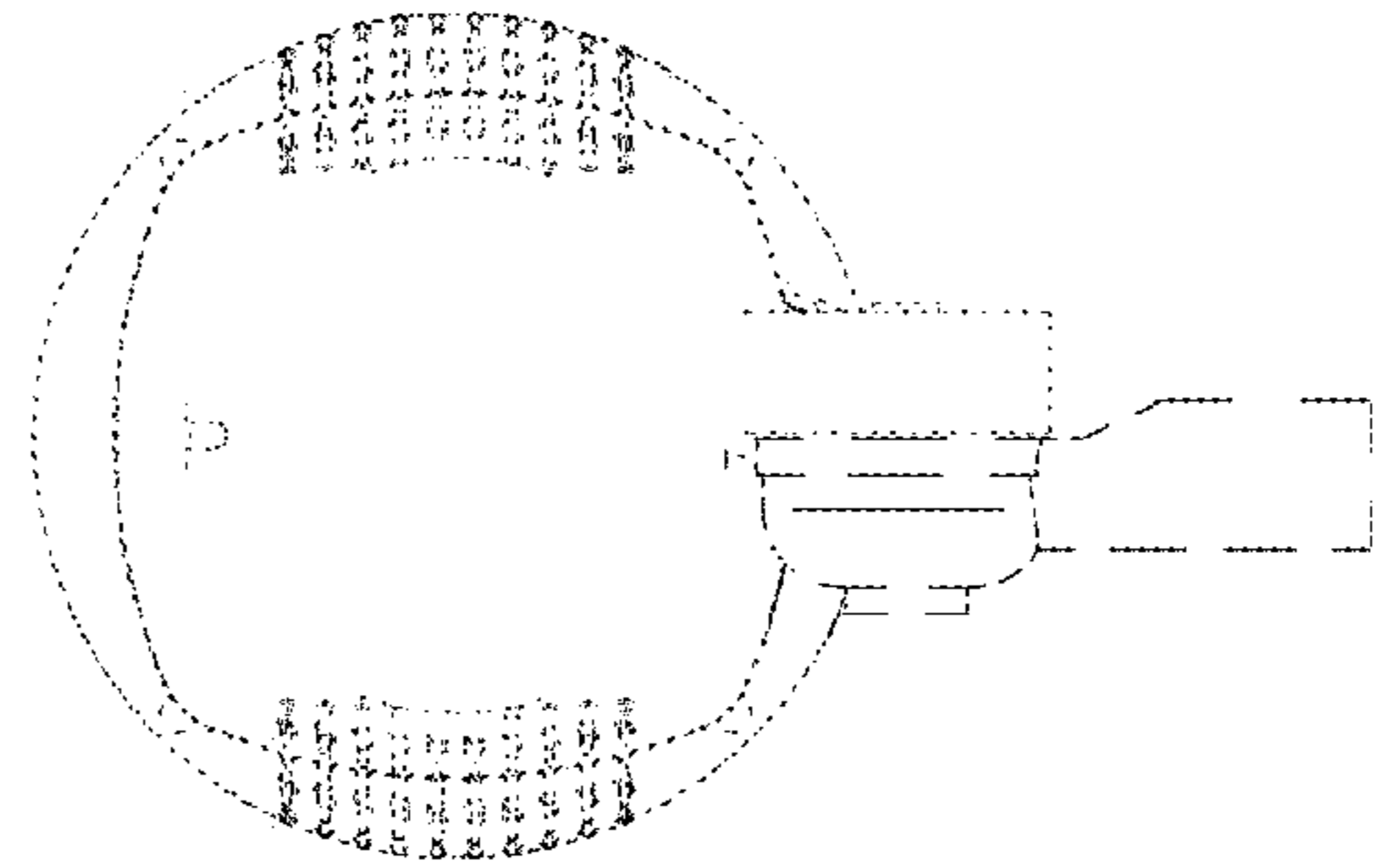


FIG. 2

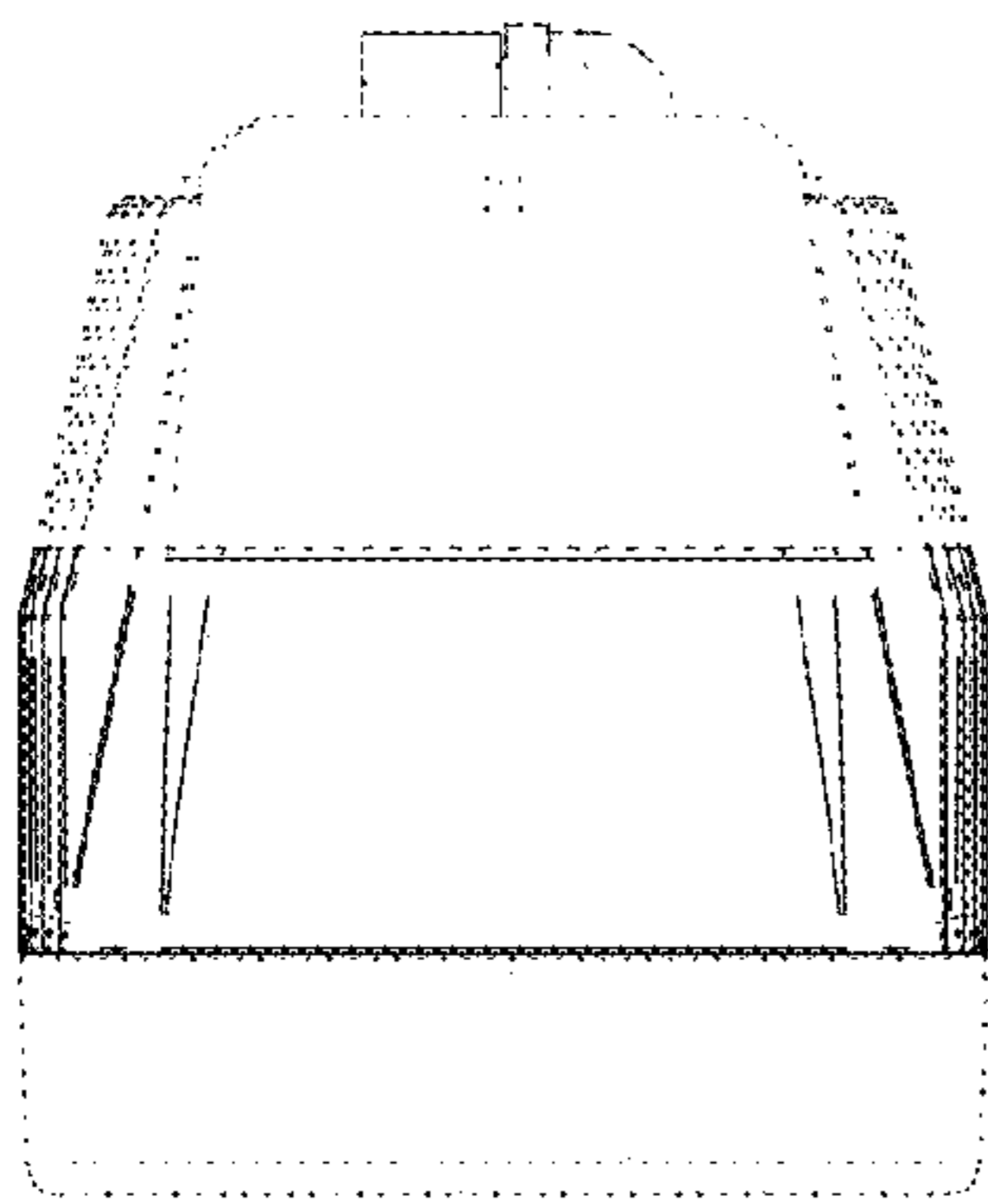


FIG. 3

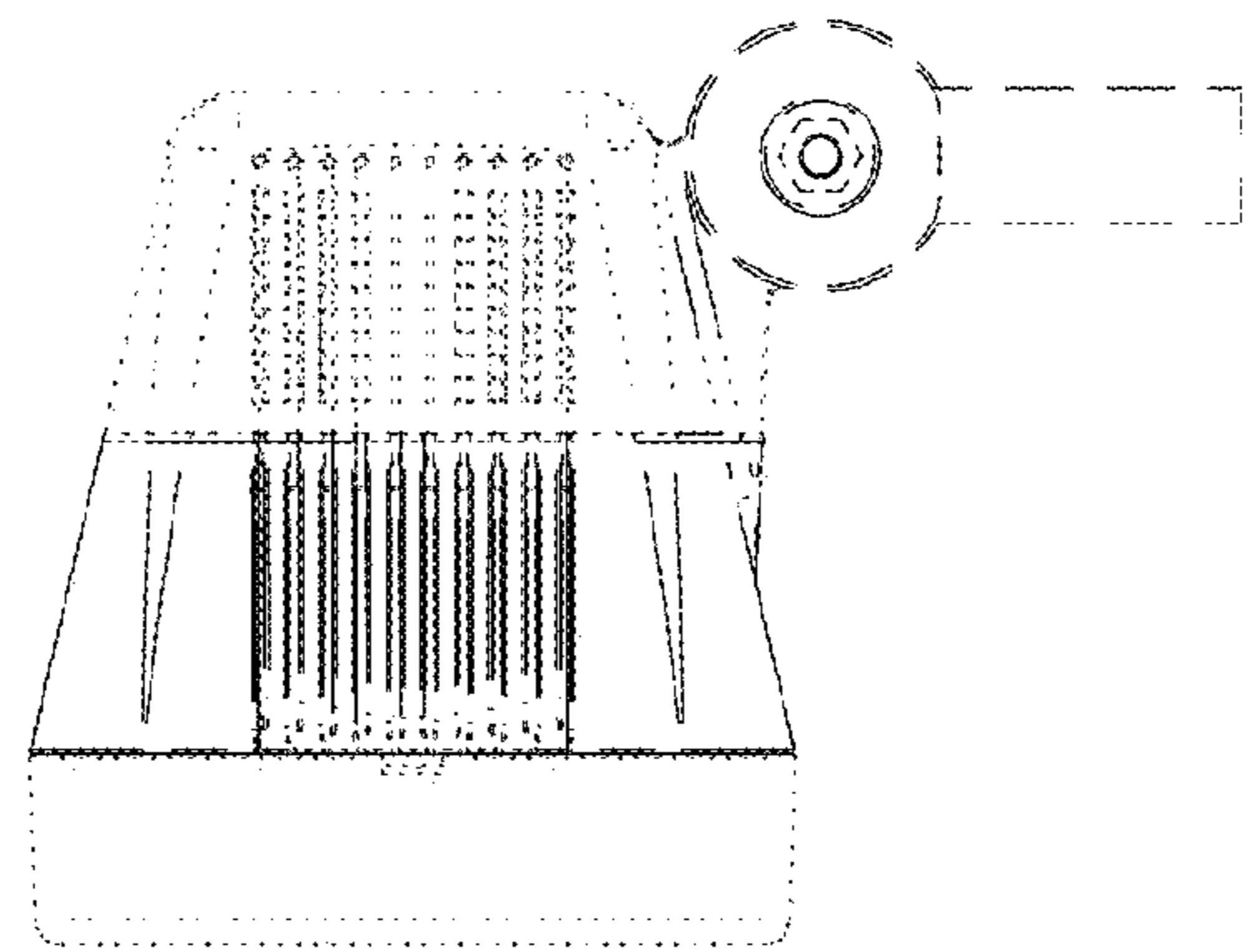


FIG. 4

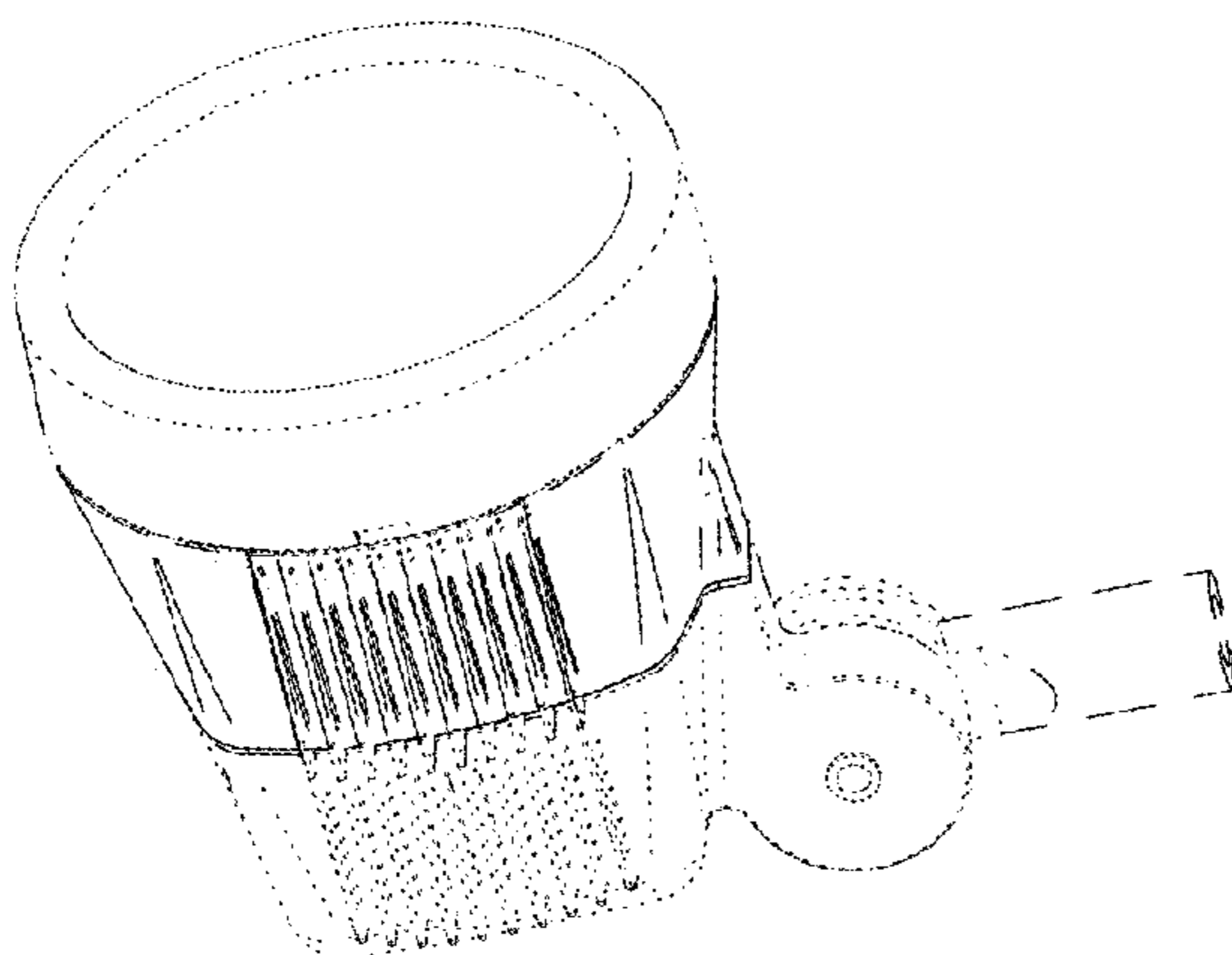


FIG. 5

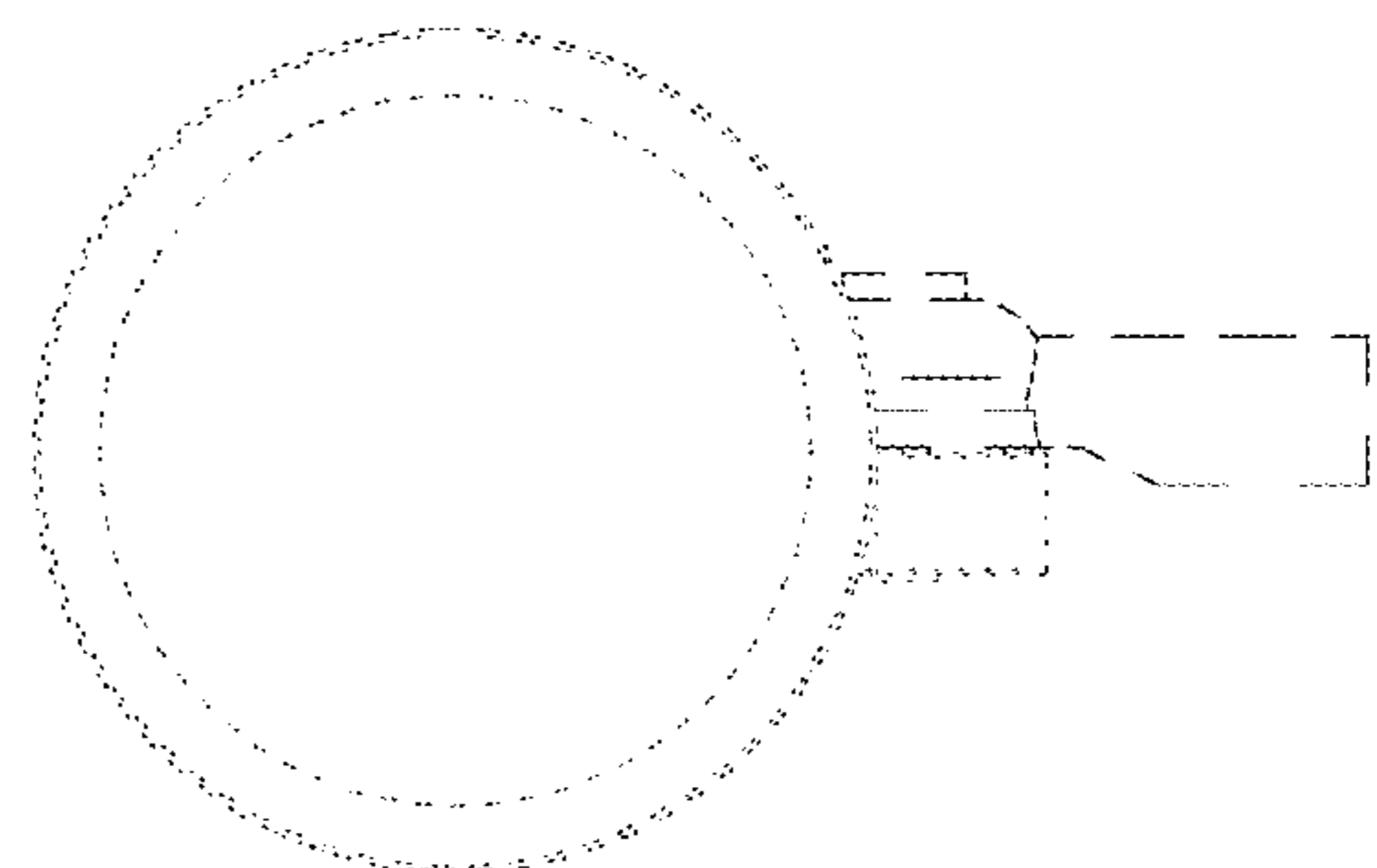


FIG. 6